



US00D566462S

(12) **United States Design Patent**
LeDuc et al.

(10) **Patent No.:** **US D566,462 S**
(45) **Date of Patent:** **** Apr. 15, 2008**

(54) **BARBEQUE**

(75) Inventors: **Ernest W. LeDuc**, Valley Center, CA (US); **Scott C. Salter**, San Diego, CA (US); **Steven J. Caliguri**, Poway, CA (US)

(73) Assignee: **Freedom Grill, Inc.**, Poway, CA (US)

(**) Term: **14 Years**

(21) Appl. No.: **29/250,098**

(22) Filed: **Nov. 1, 2006**

(51) **LOC (8) Cl.** **07-02**

(52) **U.S. Cl.** **D7/402; D7/337**

(58) **Field of Classification Search** D7/332-337, D7/402, 405, 393, 350.1, 350.3, 350.4, 351; 126/25 R, 25 A, 25 AA, 9 R, 41 R, 40, 50, 126/276, 37 R; 219/385-386; 99/339-341, 99/421 H, 446, 450, 481, 444-445
See application file for complete search history.

(56) **References Cited**

U.S. PATENT DOCUMENTS

5,086,753 A	2/1992	Berger	
D442,818 S	5/2001	Cragg	
D456,202 S	4/2002	McNair et al.	
D485,115 S	1/2004	Barrett	
6,701,913 B1	3/2004	LeDuc et al.	
D497,076 S	10/2004	Sutcliff et al.	
D498,114 S *	11/2004	Zhang	D7/337
D499,299 S *	12/2004	Zhang	D7/337
D503,582 S	4/2005	Johnson et al.	
D503,587 S	4/2005	Johnson et al.	

6,910,476 B2	6/2005	Johnson et al.	
6,945,774 B2	9/2005	Shoeb	
6,951,213 B2	10/2005	Coleman et al.	
D511,070 S *	11/2005	Pai	D7/402
D511,266 S *	11/2005	Pai	D7/337
D511,433 S *	11/2005	Zhang	D7/337
D516,368 S *	3/2006	Zhang	D7/337
D534,029 S *	12/2006	Wright	D7/350.4
D535,522 S *	1/2007	Seager	D7/402
D551,489 S	9/2007	Gondek	

* cited by examiner

Primary Examiner—Ruth McInroy

(74) *Attorney, Agent, or Firm*—Timothy N. Ellis

(57) **CLAIM**

The ornamental design for a barbeque, as shown and described.

DESCRIPTION

FIG. 1 is a perspective view of a barbeque showing our new design.

FIG. 2 is a top plan view thereof.

FIG. 3 is a bottom plan view thereof.

FIG. 4 is a front elevational view thereof.

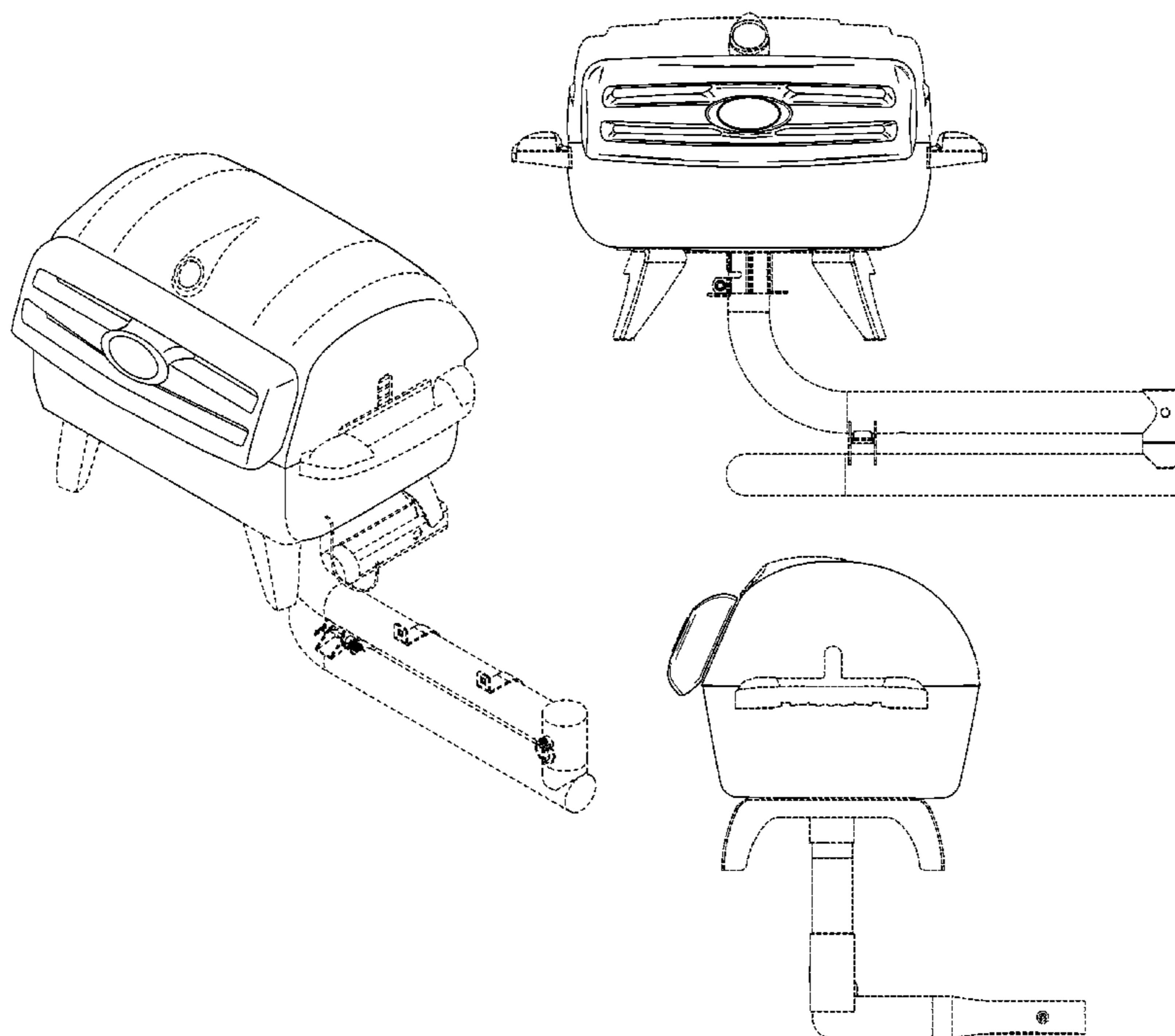
FIG. 5 is a rear elevational view thereof.

FIG. 6 is a left side elevational view thereof; and,

FIG. 7 is a right side elevational view thereof.

The broken lines in the drawings are illustrative of environmental structure and form no part of the claimed design.

1 Claim, 7 Drawing Sheets



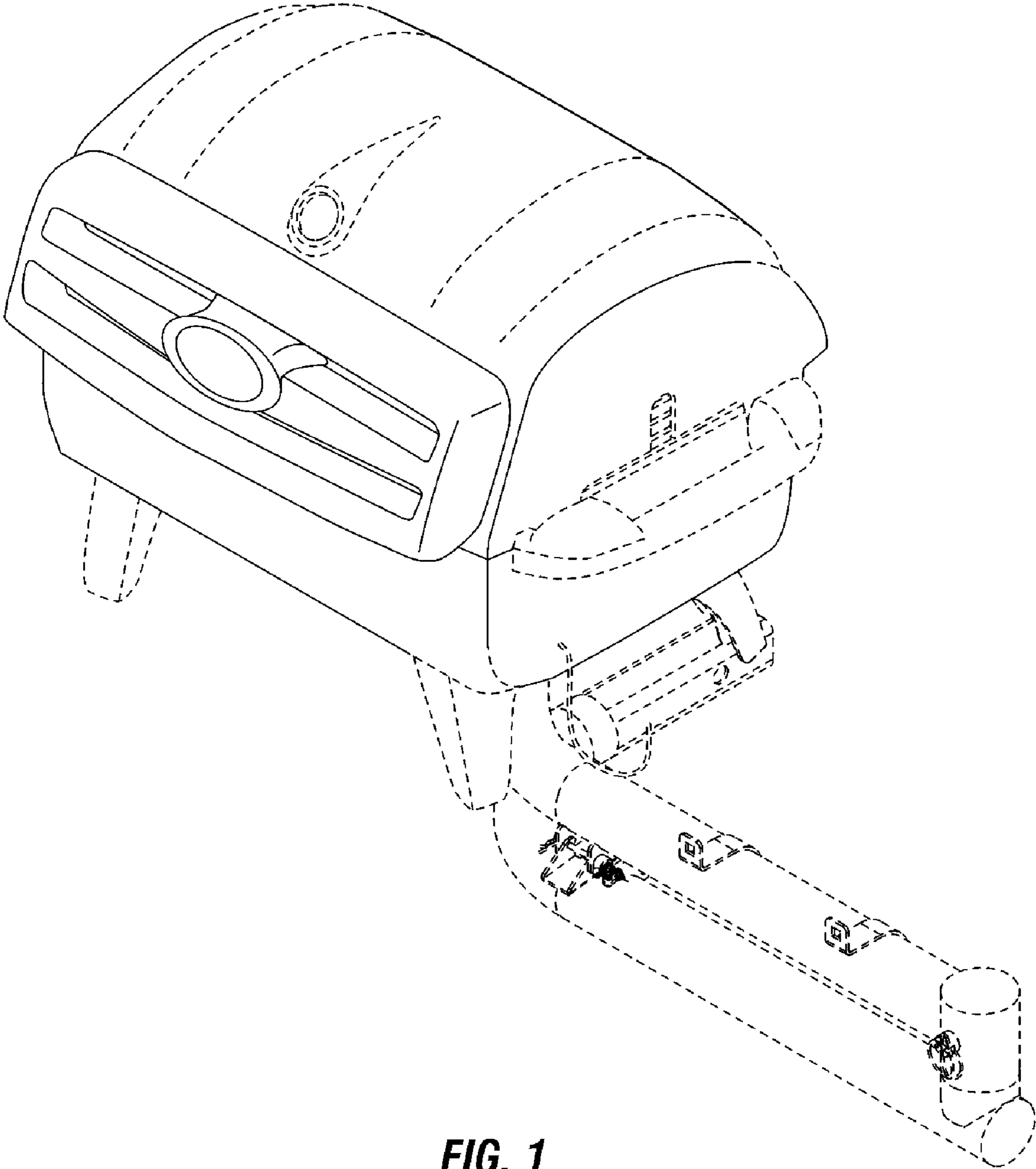


FIG. 1

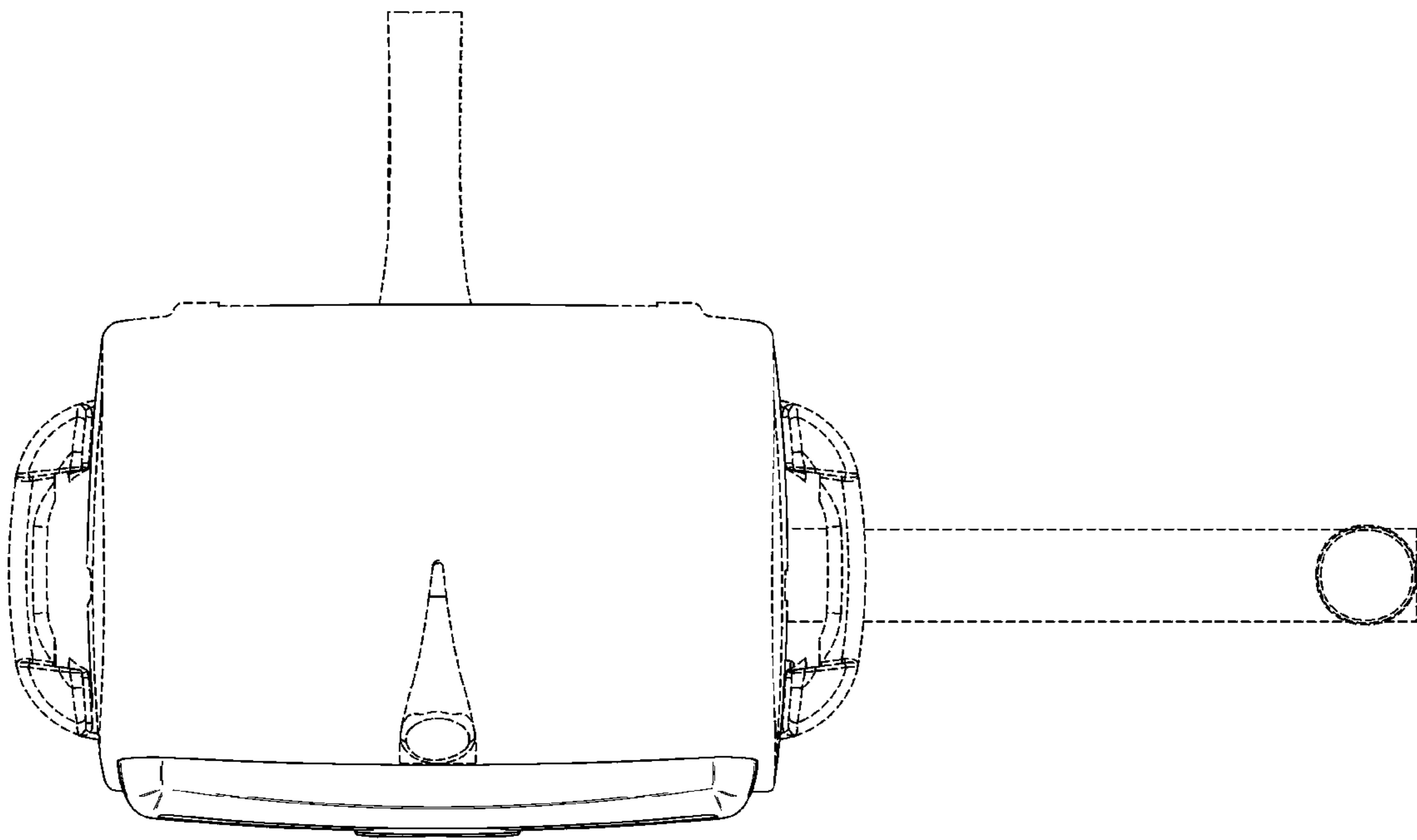


FIG. 2

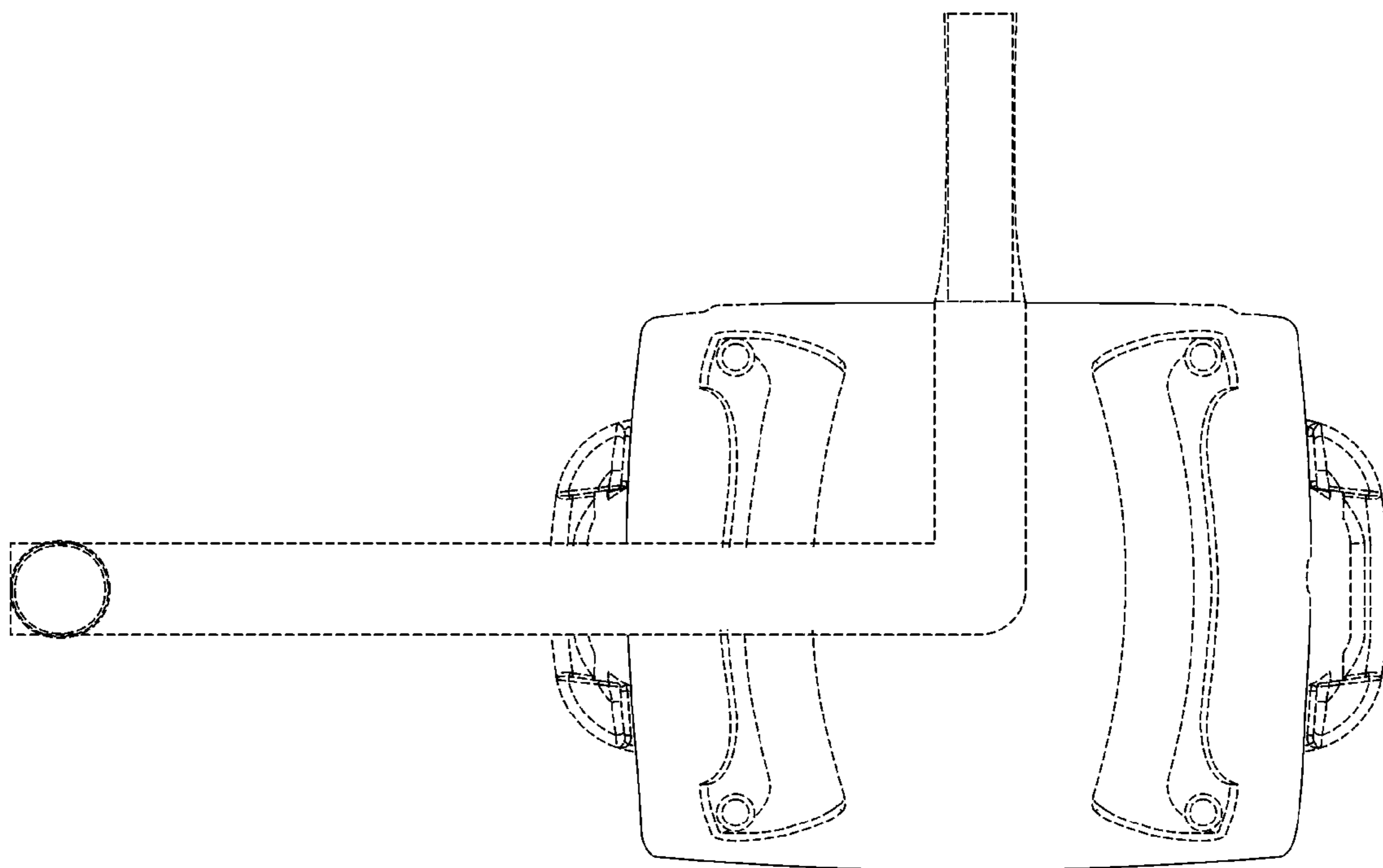


FIG. 3

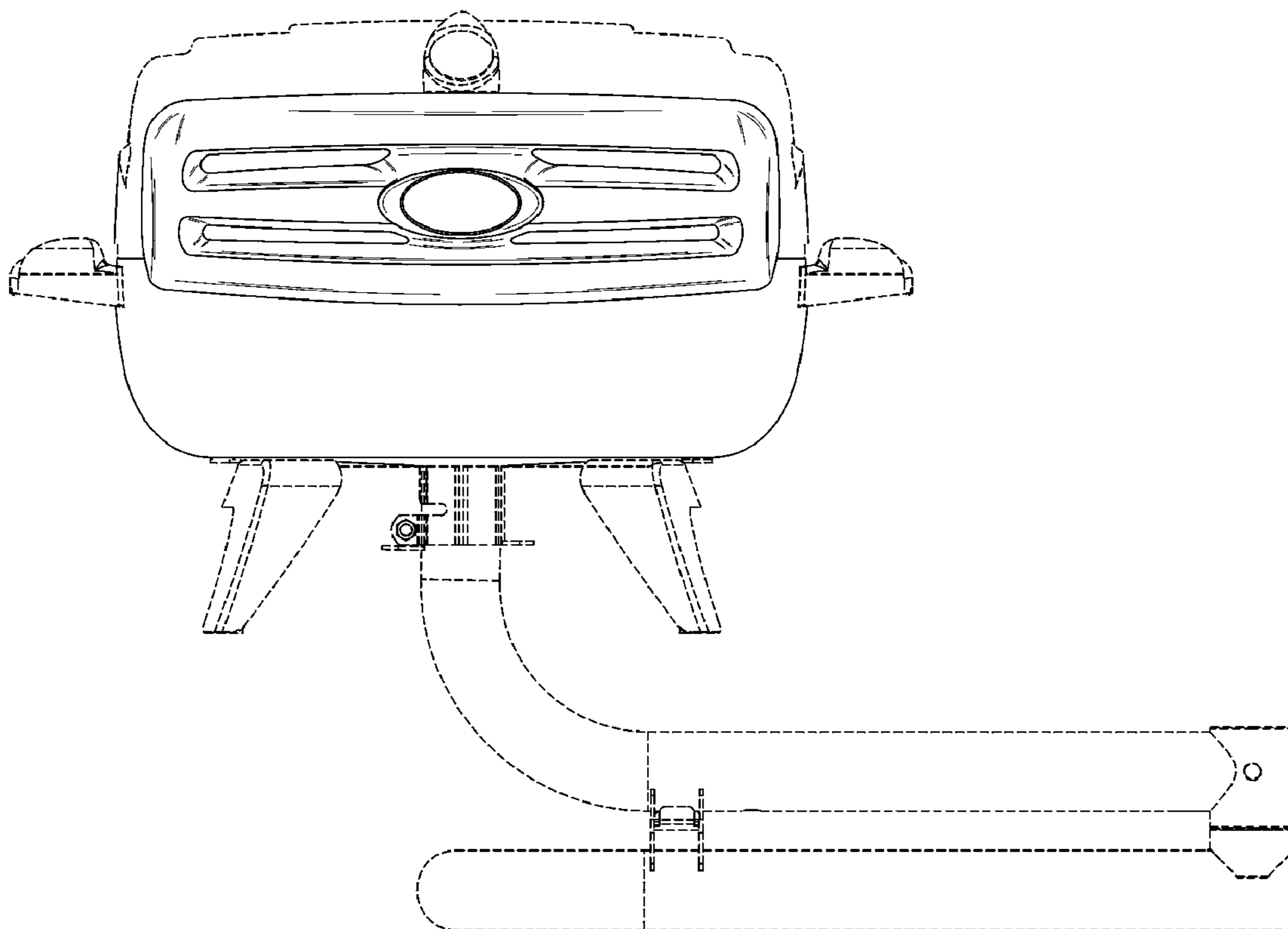


FIG. 4

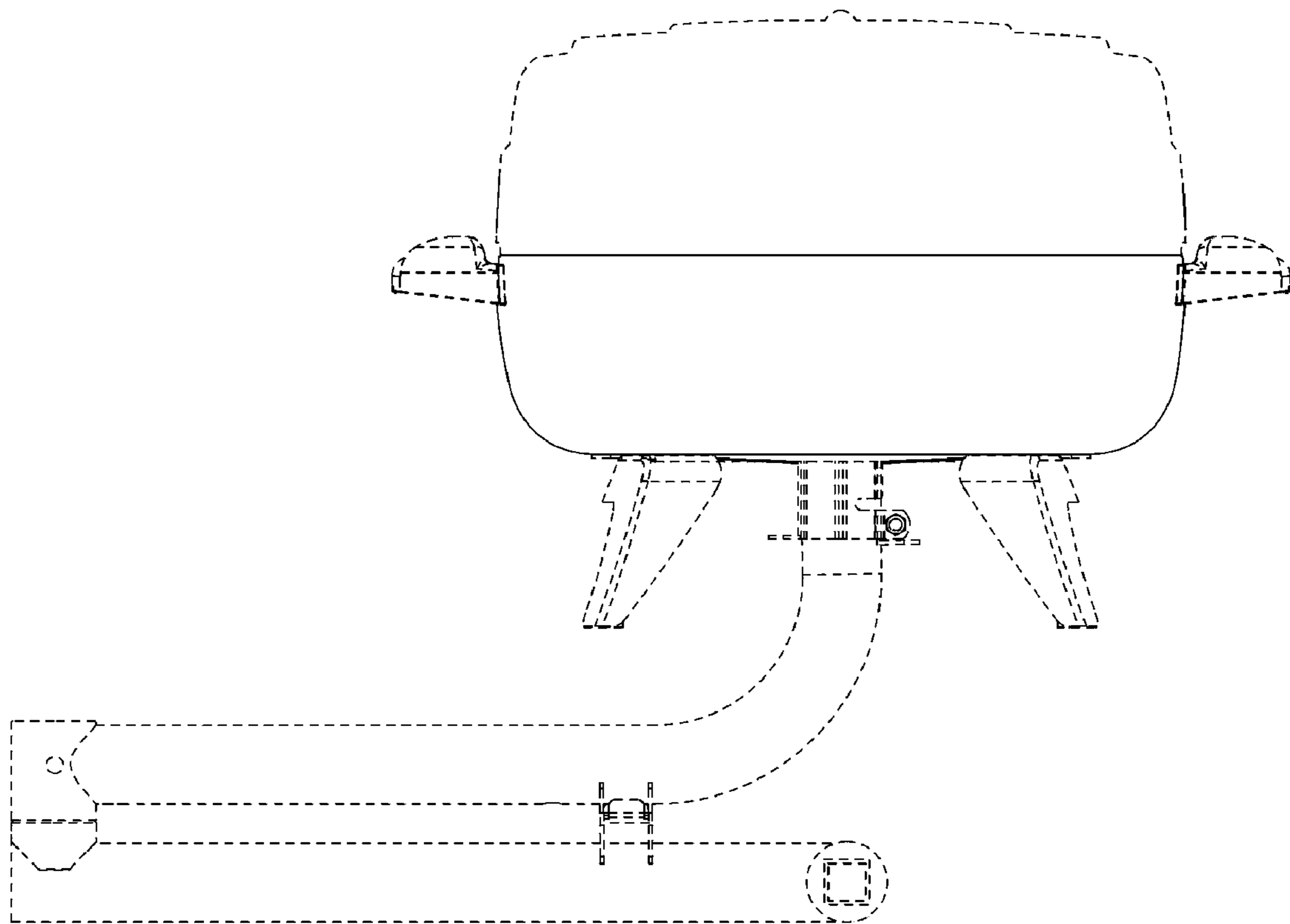


FIG. 5

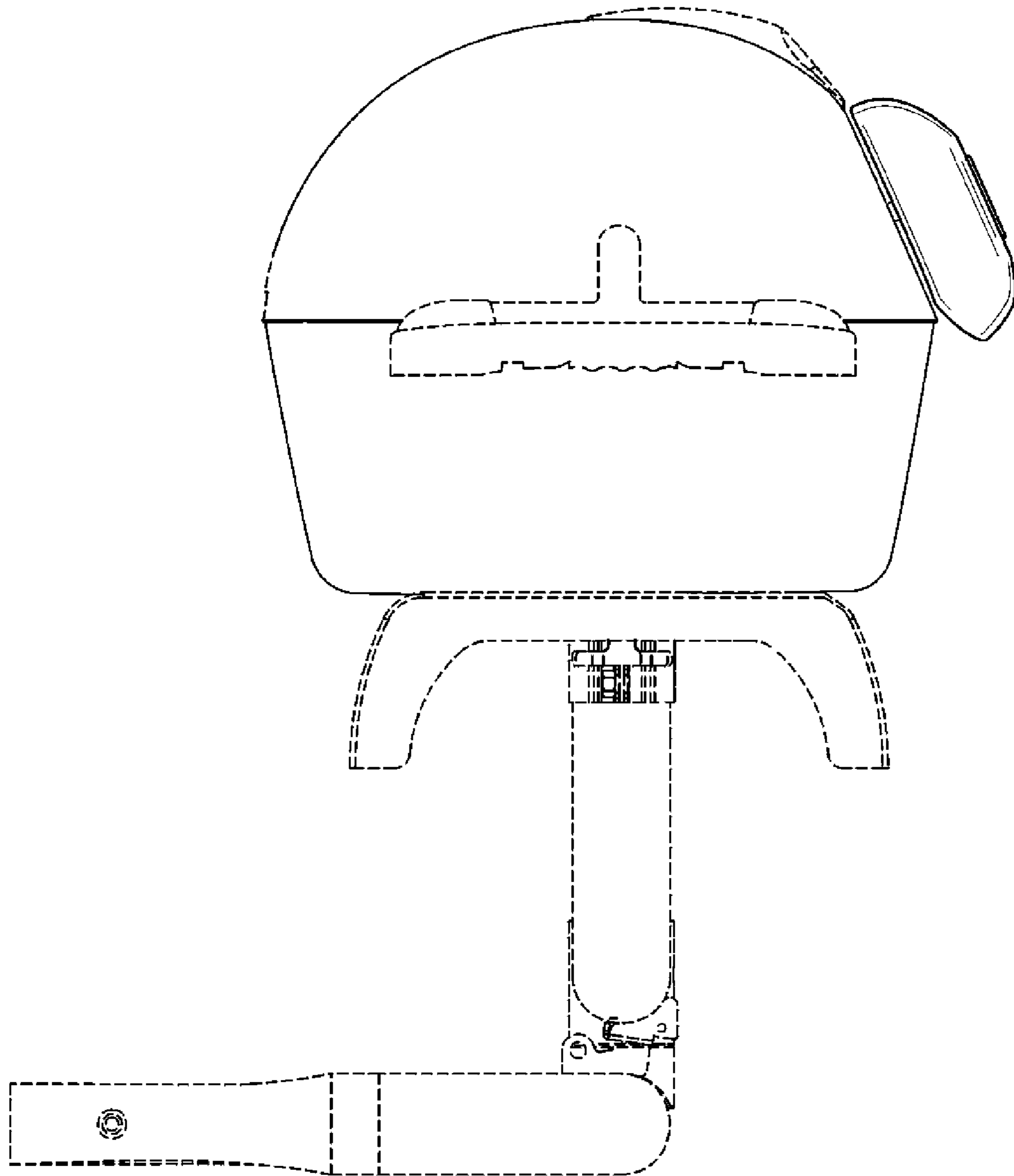


FIG. 6

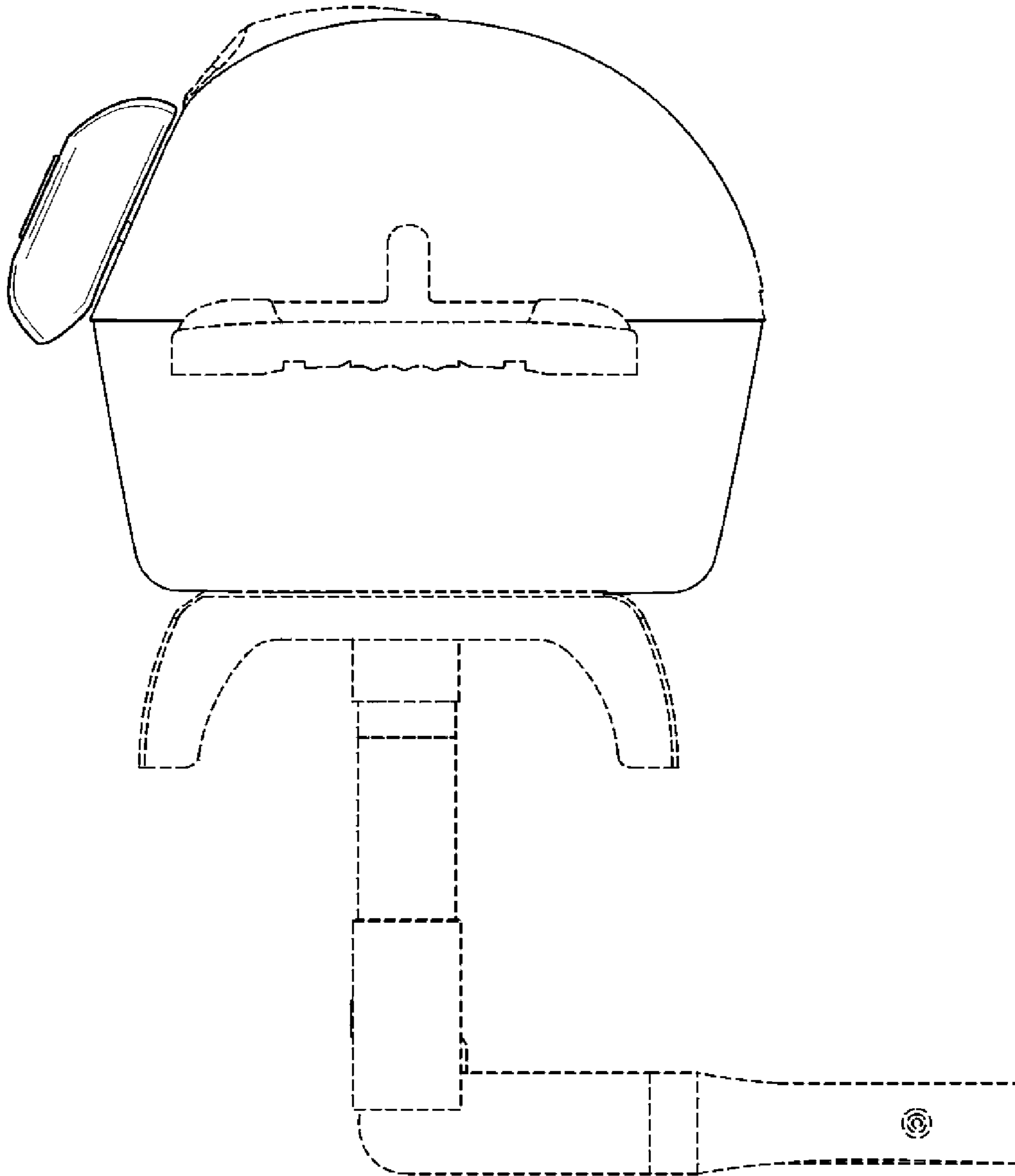


FIG. 7