

US00D566461S

(12) **United States Design Patent**
McDonald

(10) **Patent No.:** **US D566,461 S**

(45) **Date of Patent:** **** Apr. 15, 2008**

(54) **DISPENSING SPOUT**

D535,157 S * 1/2007 Hoehne D7/628

(76) Inventor: **Michael McDonald**, 3 Nita St., East Northport, NY (US) 11731

* cited by examiner

(**) Term: **14 Years**

Primary Examiner—Philip S. Hyder

Assistant Examiner—Cynthia Underwood

(21) Appl. No.: **29/236,621**

(74) *Attorney, Agent, or Firm*—Hoffman, Wasson & Gitler, P.C.

(22) Filed: **Aug. 19, 2005**

(57) **CLAIM**

(51) **LOC (8) Cl.** **07-01**

The ornamental design for a dispensing spout, as shown and described.

(52) **U.S. Cl.** **D7/398; D7/515; D9/441**

(58) **Field of Classification Search** D7/300.2, D7/301-2, 306-308, 313, 395-98, 387, 392, D7/632, 901; D9/451; D23/207, 213-216, D23/220, 233, 238, 242, 249, 252, 255, 262, D23/270, 567, 571, 572; 222/478, 481, 566
See application file for complete search history.

DESCRIPTION

(56) **References Cited**

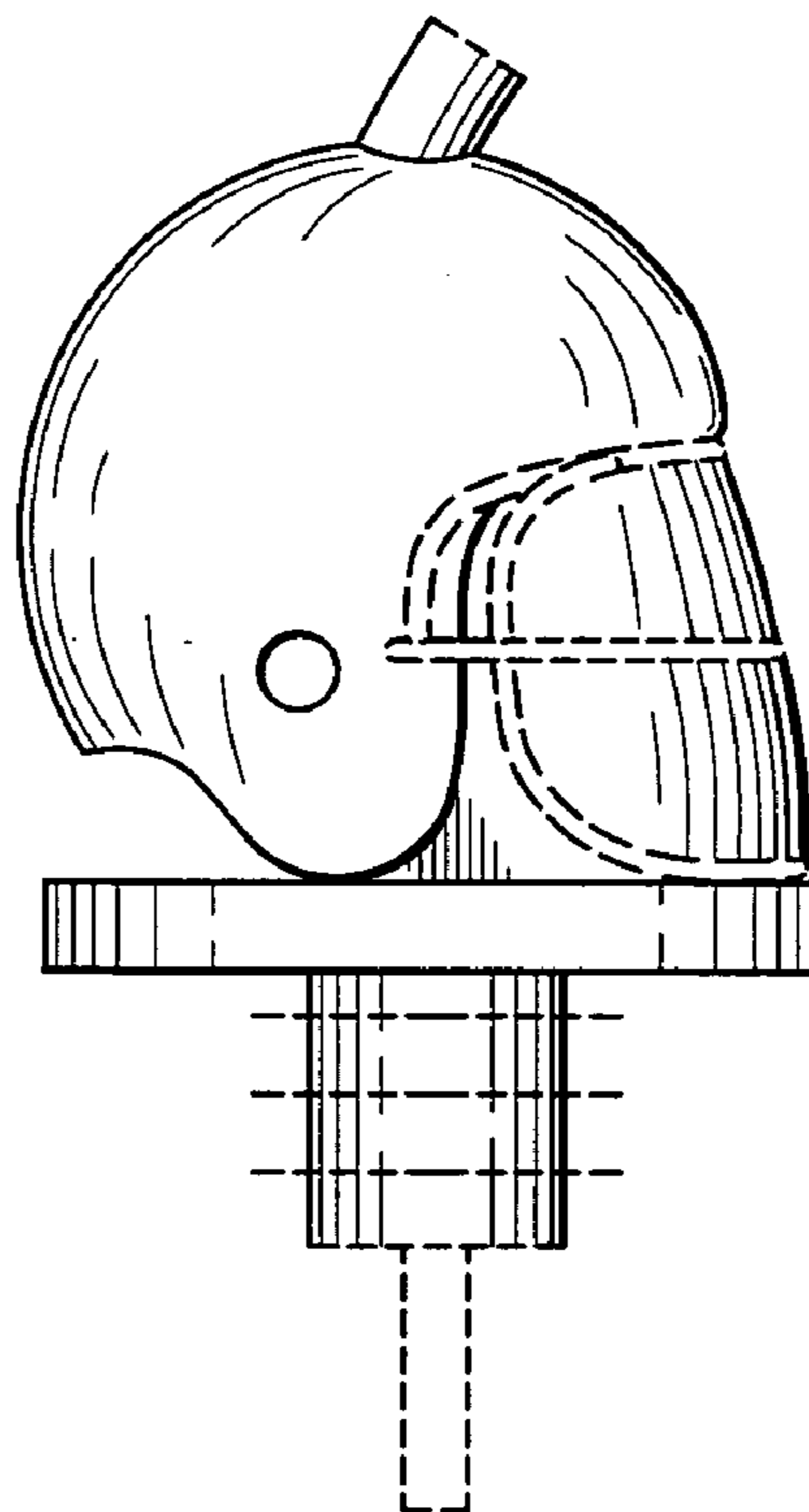
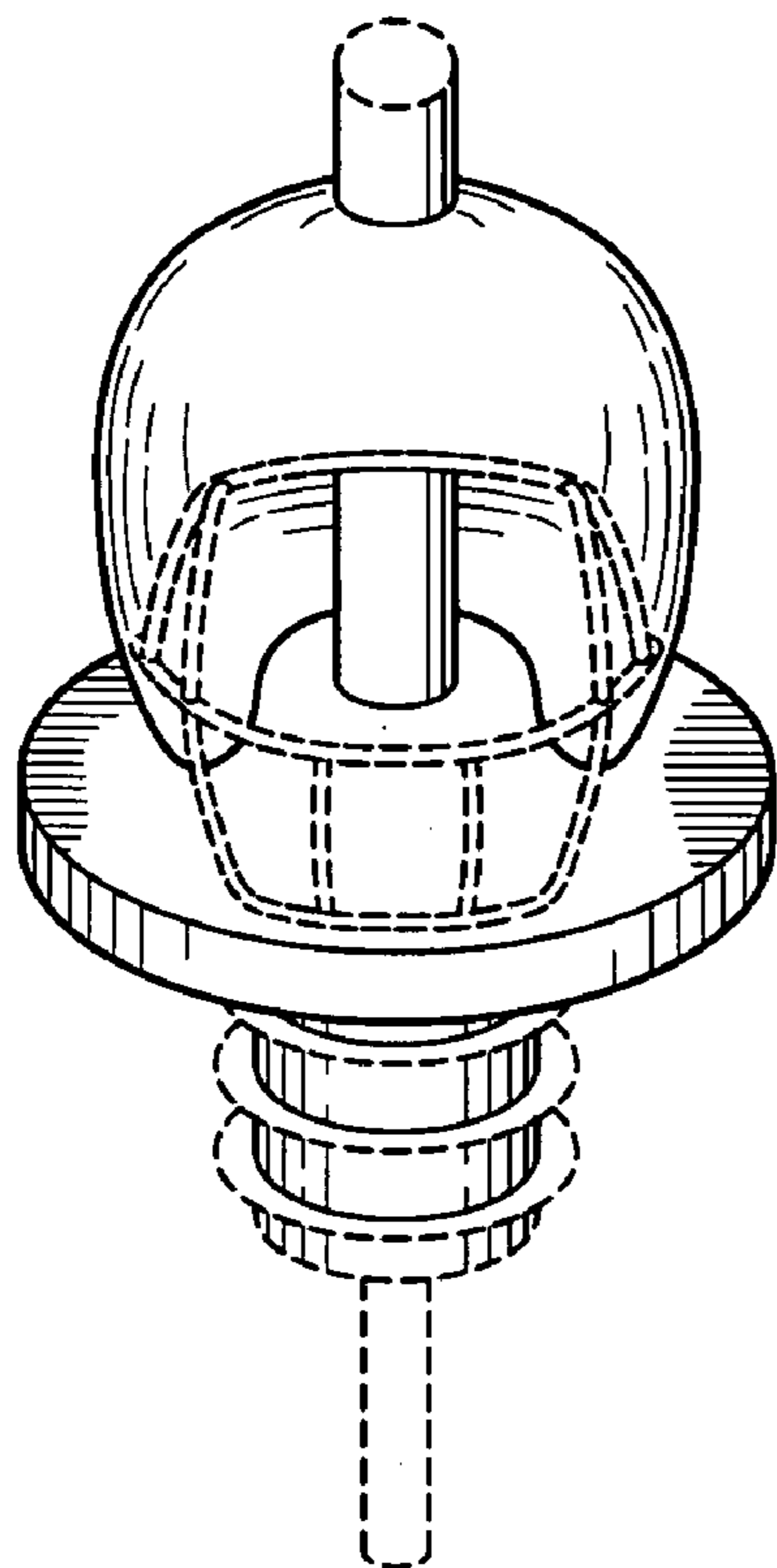
U.S. PATENT DOCUMENTS

D289,610 S *	5/1987	Neyer	D9/632
D327,817 S *	7/1992	Paullin	D7/515
D349,630 S *	8/1994	Redmon	D7/606
D379,149 S *	5/1997	Powell et al.	D9/451
D416,799 S *	11/1999	Adams	D9/451
D419,449 S *	1/2000	Adams	D9/451
D419,880 S *	2/2000	Adams	D9/451
D471,060 S *	3/2003	Salsman	D7/392.1
D493,709 S *	8/2004	Tamez	D9/632
D507,181 S *	7/2005	Malik	D9/451

FIG. 1 is a front view of the dispensing spout;
FIG. 2 is a rear view of the dispensing spout;
FIG. 3 is a right side view of the dispensing spout, the left side being a mirror image of the right side;
FIG. 4 is a top view of the dispensing spout;
FIG. 5 is a bottom view of the dispensing spout;
FIG. 6 is a front view of an alternative embodiment of the dispensing spout; and,
FIG. 7 is a side view of an alternative embodiment of the dispensing spout.

Those features shown on phantom do not form part of the claimed design.

1 Claim, 2 Drawing Sheets



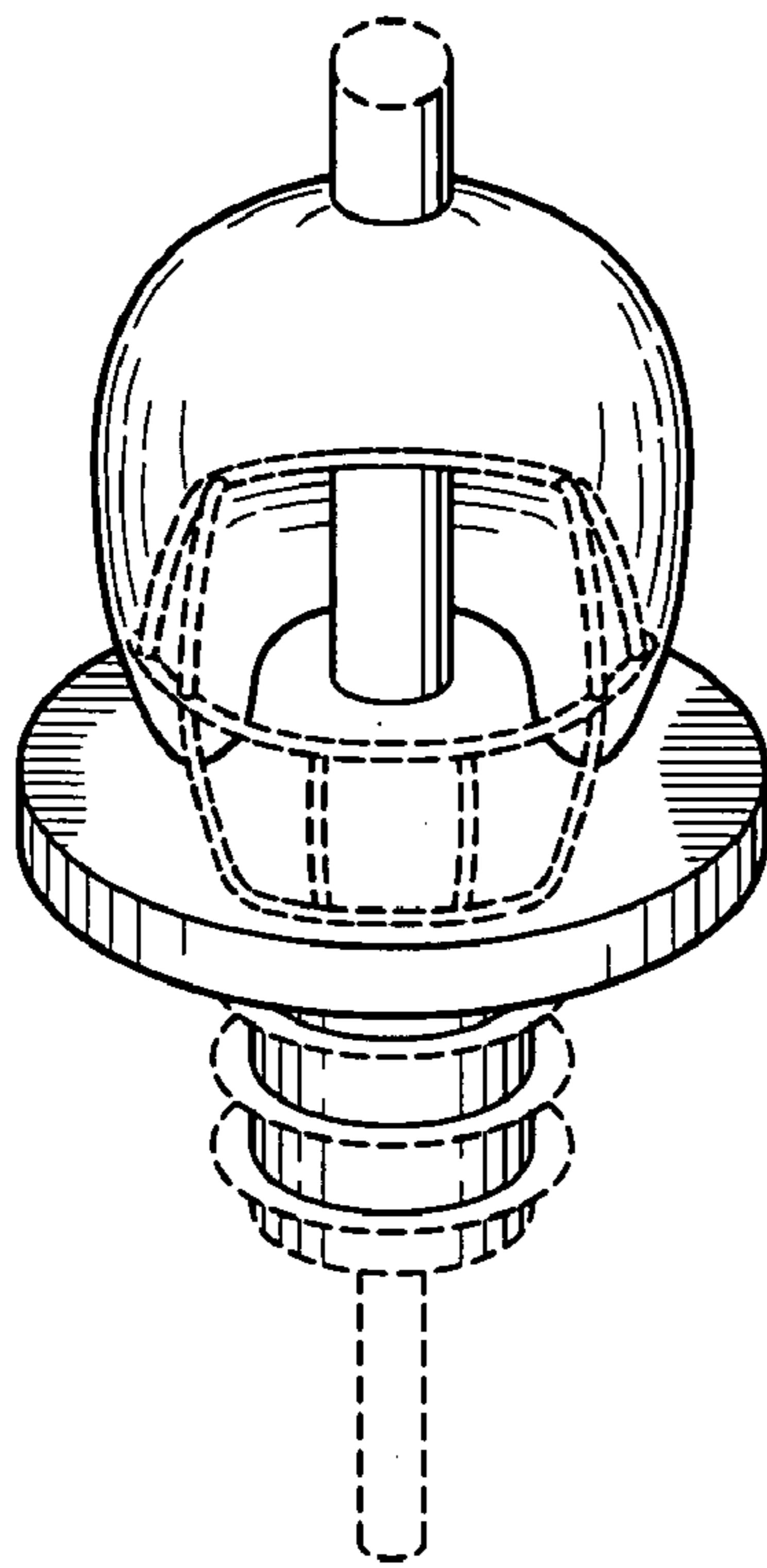


FIG. 1

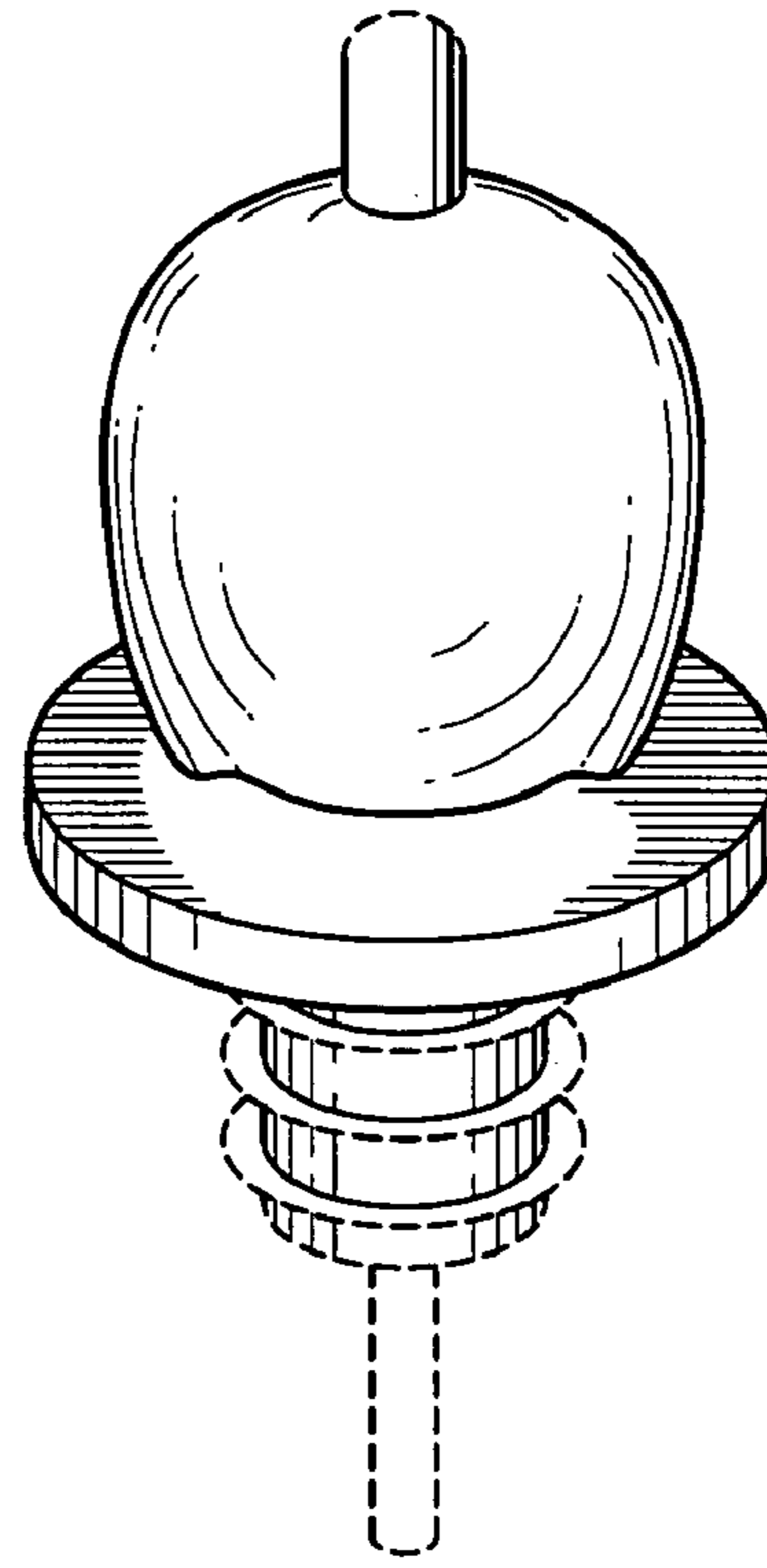


FIG. 2

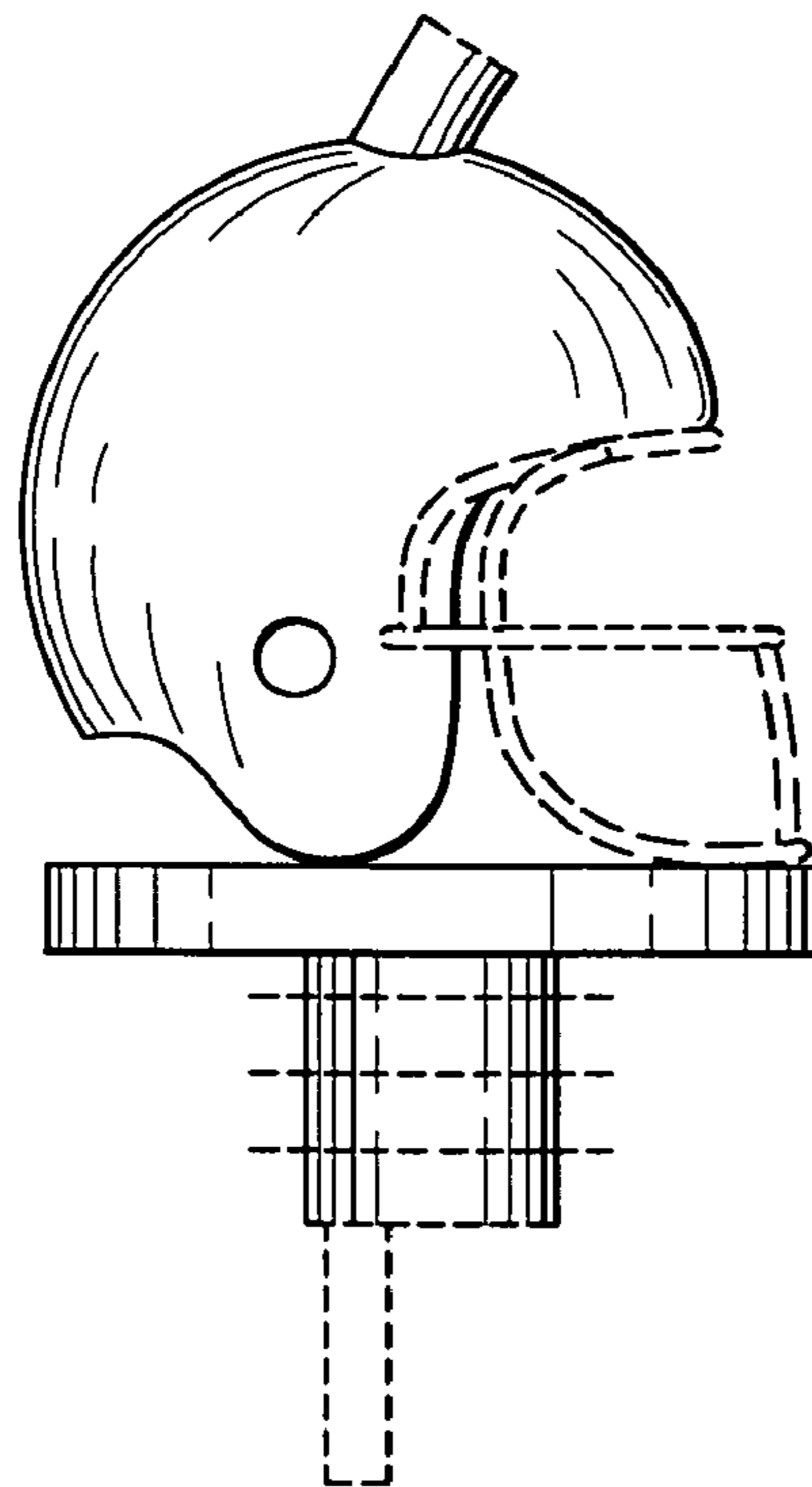


FIG. 3

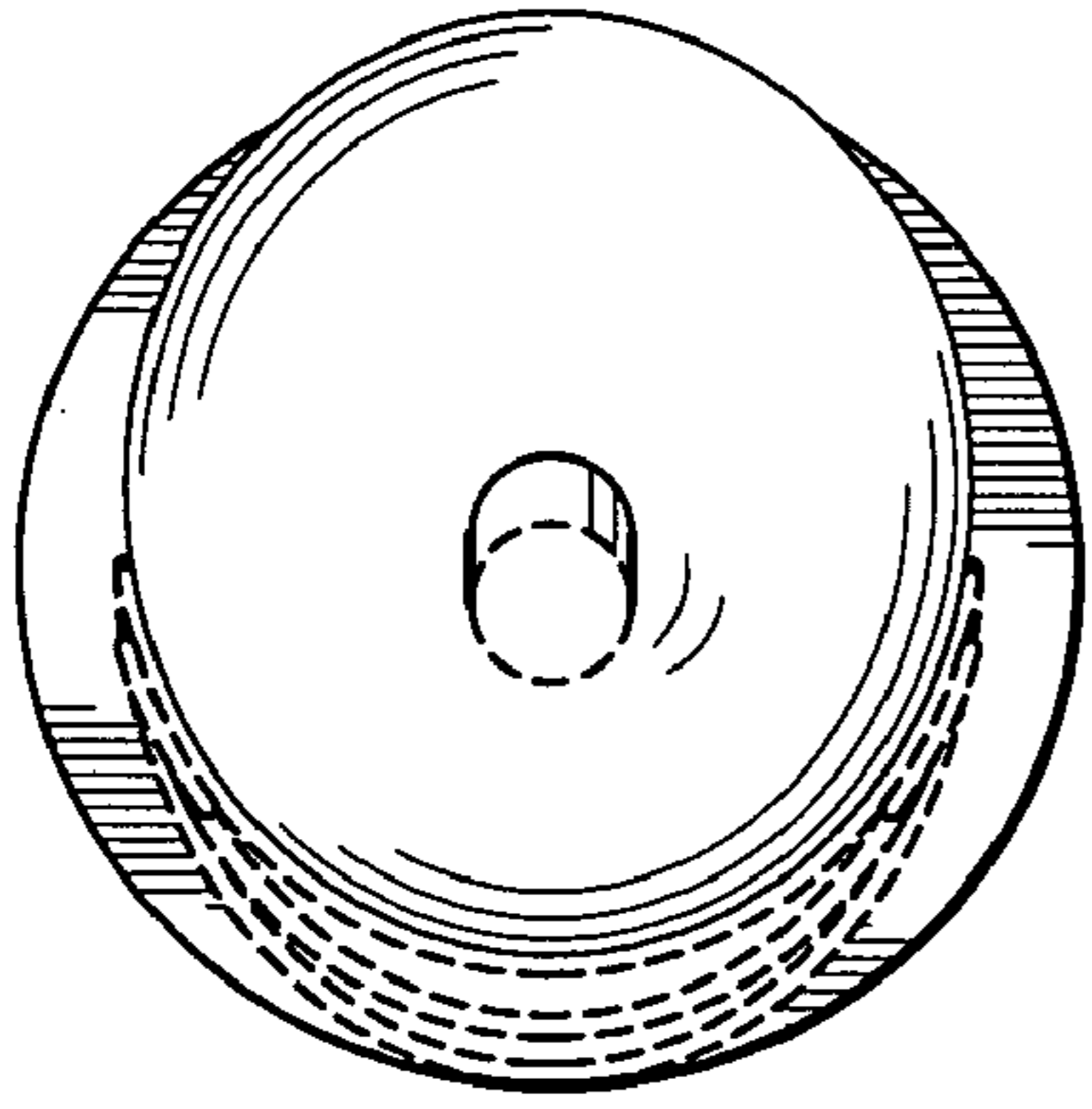


FIG. 4

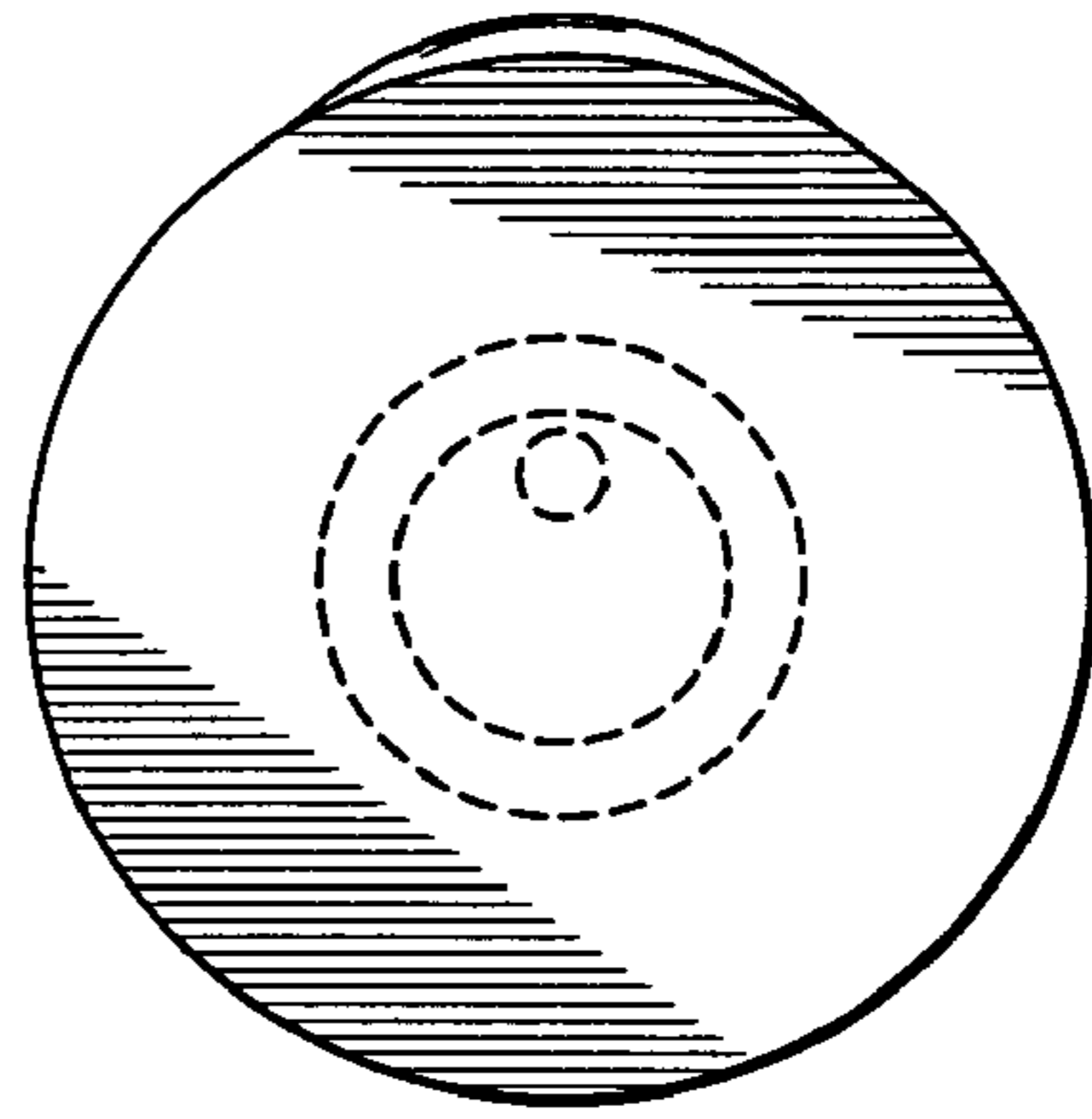


FIG. 5

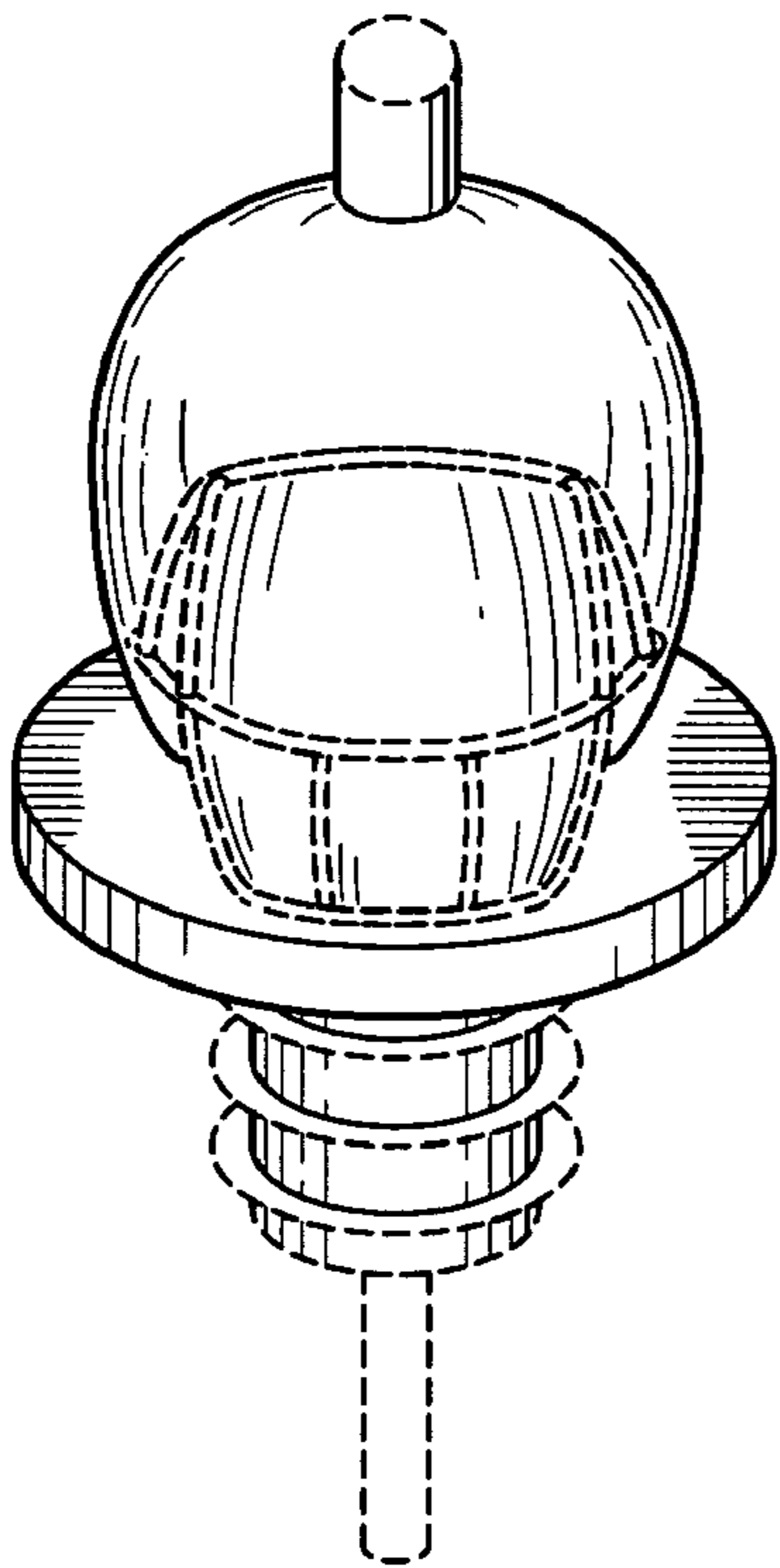


FIG. 6

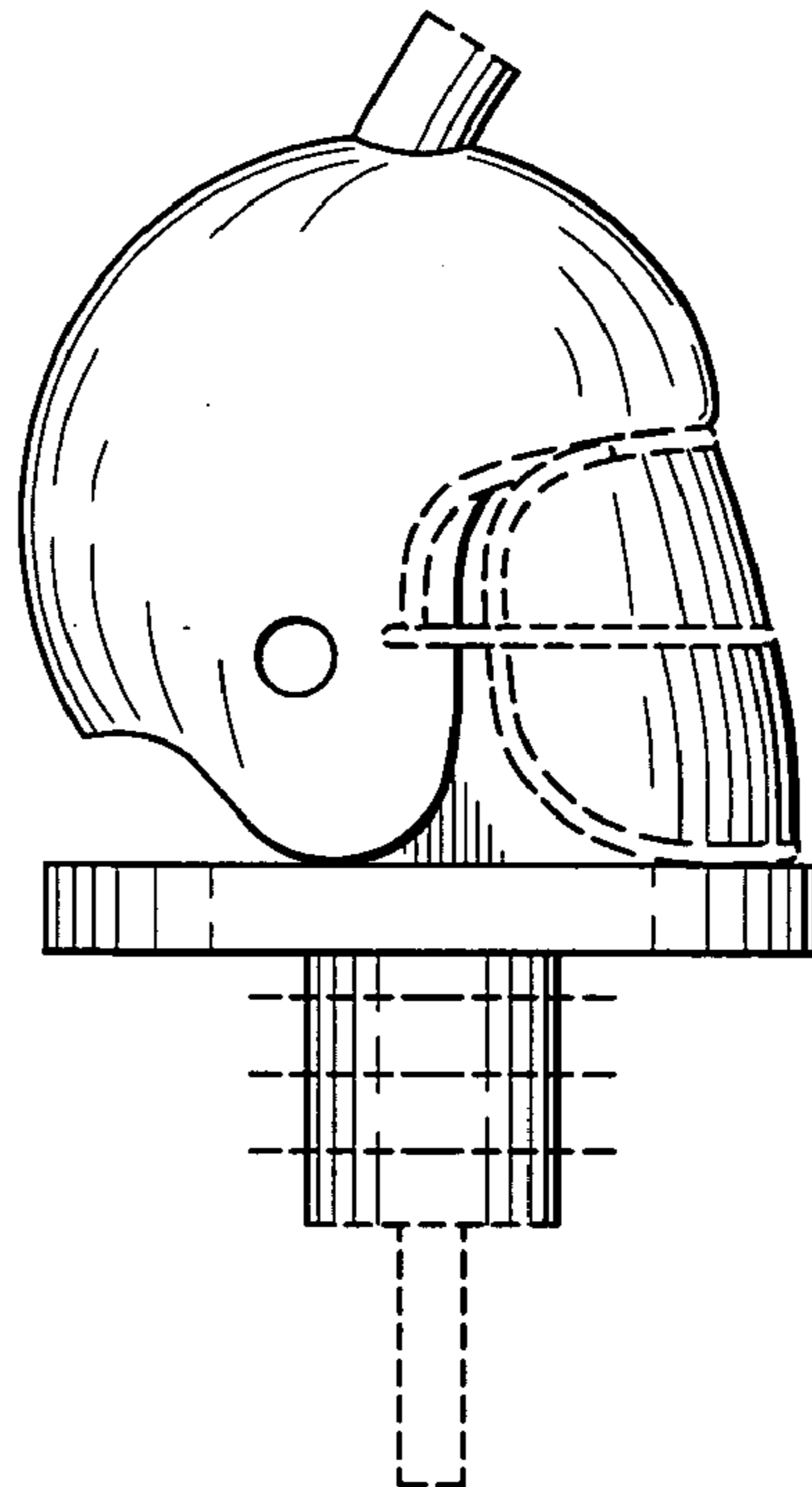


FIG. 7