



US00D566459S

(12) **United States Design Patent**  
**Doo**

(10) **Patent No.:** **US D566,459 S**

(45) **Date of Patent:** **\*\* Apr. 15, 2008**

(54) **ELECTRIC BURNER**

(75) Inventor: **Danny Doo**, Kowloon (HK)

(73) Assignee: **Cuisine Cookware Inc.**, Lodi, NJ (US)

(\*\*) Term: **14 Years**

(21) Appl. No.: **29/278,993**

(22) Filed: **Apr. 17, 2007**

(30) **Foreign Application Priority Data**

Mar. 28, 2007 (CN) ..... 2007 3 0009110

(51) **LOC (8) Cl.** ..... **07-02**

(52) **U.S. Cl.** ..... **D7/364**

(58) **Field of Classification Search** ..... D7/362-367,  
D7/338, 402, 407; 219/450.1, 520, 468.1,  
219/533, 386, 429, 443.1, 452.11; 99/422,  
99/425, 443 R, 445, 448, 450

See application file for complete search history.

(56) **References Cited**

**U.S. PATENT DOCUMENTS**

D97,530 S \* 11/1935 Knapp ..... D7/364

D107,453 S \* 12/1937 Preston ..... D7/364

D205,820 S \* 9/1966 Ryan ..... D7/364  
D300,500 S \* 4/1989 Pickhan ..... D7/367  
D304,990 S \* 12/1989 Springer ..... D7/367  
D367,995 S \* 3/1996 Hu ..... D7/364  
D491,012 S \* 6/2004 Rogers ..... D7/364  
D513,151 S \* 12/2005 Currie ..... D7/364  
2002/0033390 A1 \* 3/2002 Von Mosshaim ..... 219/452.11

\* cited by examiner

*Primary Examiner*—Ruth McInroy

(74) *Attorney, Agent, or Firm*—Ostrolenk, Faber, Gerb & Soffen, LLP

(57) **CLAIM**

The ornamental design for an electric burner, as shown and described.

**DESCRIPTION**

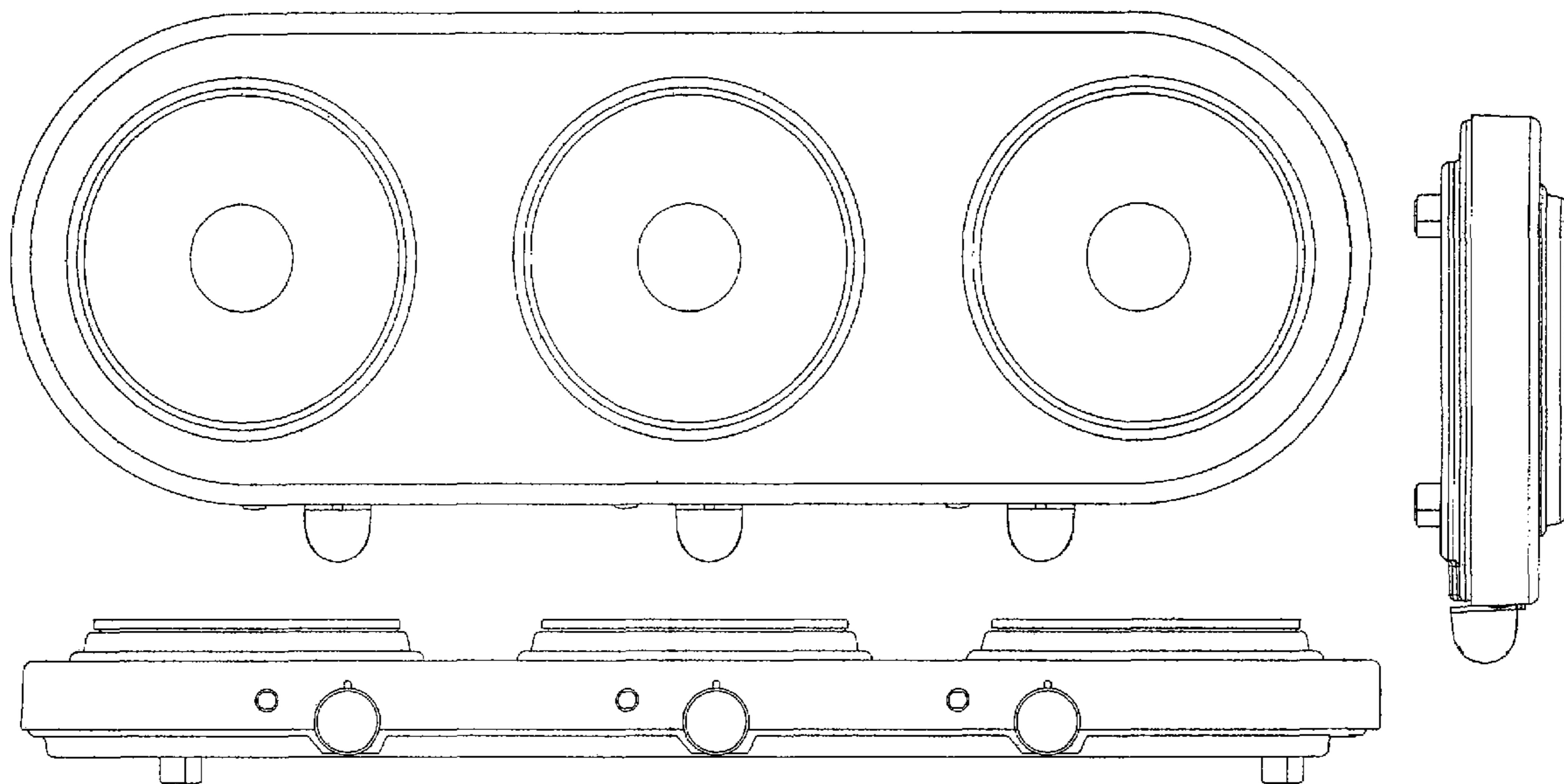
FIG. 1 is a top view of an electric burner showing my new design;

FIG. 2 is a front view thereof;

FIG. 3 is a side view thereof, the opposite side being a mirror image; and,

FIG. 4 is a rear view thereof.

**1 Claim, 2 Drawing Sheets**



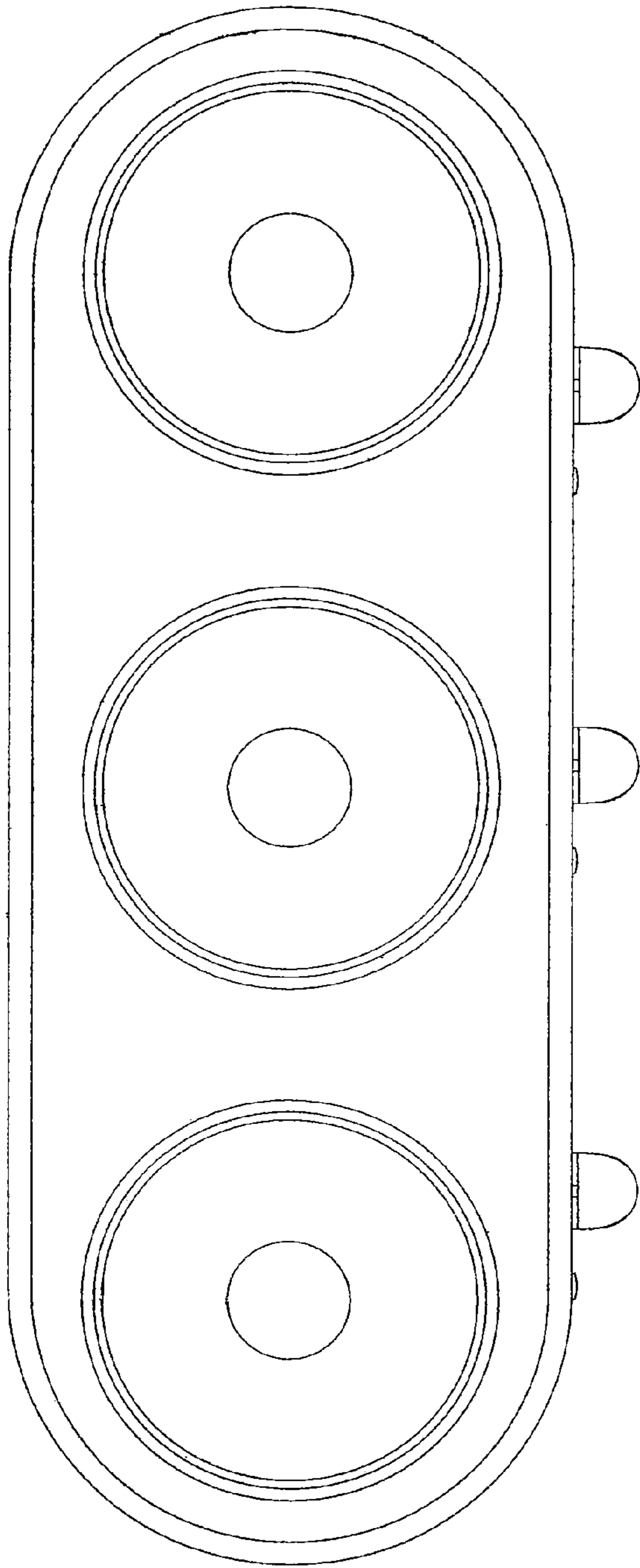


FIG 1

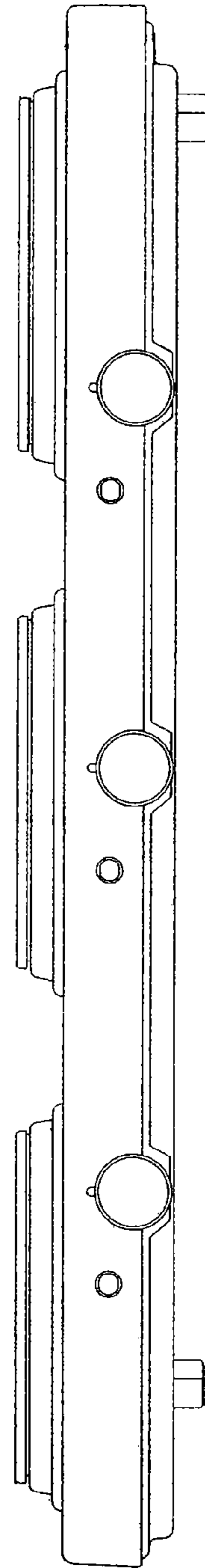


FIG 2

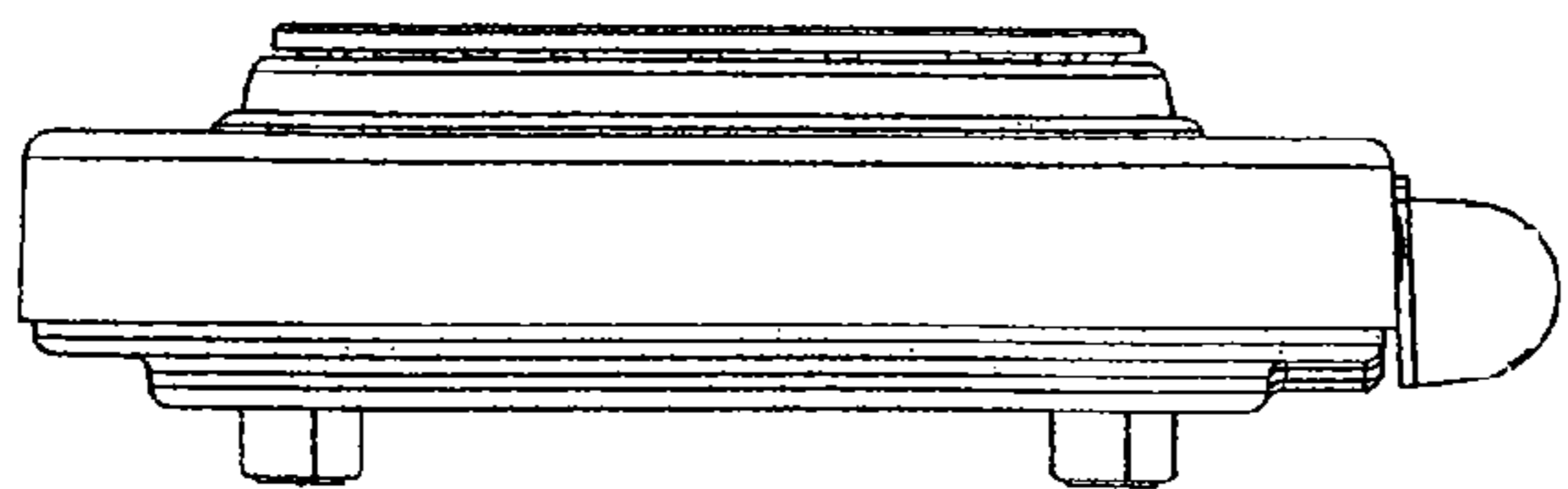


FIG 3

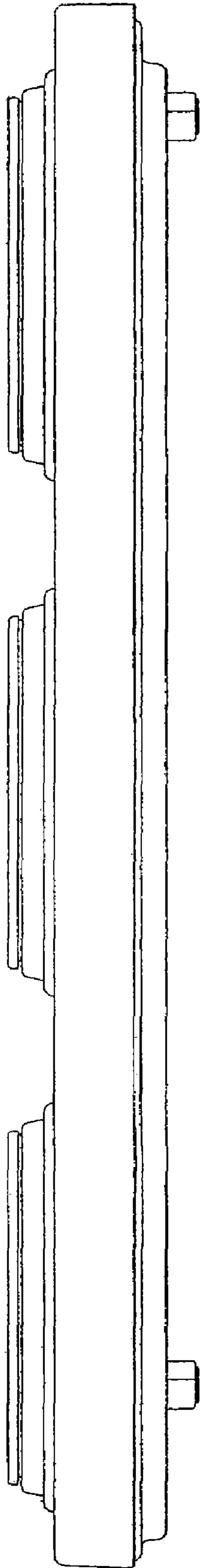


FIG 4