

US00D566458S

(12) **United States Design Patent**
de Gooijer

(10) **Patent No.:** **US D566,458 S**

(45) **Date of Patent:** **** Apr. 15, 2008**

(54) **SOUP DISPLAY ASSEMBLY**

D496,823 S * 10/2004 Josancy D7/360

(75) Inventor: **Johan Hendrik de Gooijer**,
Amsterdam (NL)

D507,456 S * 7/2005 Hoekstra et al. D7/505

D545,081 S * 6/2007 Lara D6/466

(73) Assignee: **Conopco Inc.**, Englewood Cliffs, NJ
(US)

* cited by examiner

(**) Term: **14 Years**

Primary Examiner—Caron D. Veynar

Assistant Examiner—Ricky Pham

(21) Appl. No.: **29/243,559**

(74) *Attorney, Agent, or Firm*—Michael P. Aronson

(22) Filed: **Nov. 28, 2005**

(57) **CLAIM**

(30) **Foreign Application Priority Data**

May 28, 2005 (GB) 3021423

The ornamental design for a soup display assembly, as shown.

(51) **LOC (8) Cl.** **07-02**

(52) **U.S. Cl.** **D7/360**

(58) **Field of Classification Search** D6/466;

D7/323, 354–361, 393–395, 402, 505, 507,

D7/538–548, 553.6, 584–590, 596, 600.1,

D7/600, 602; D28/77; 16/110.1, 407, 430–431,

16/436, 441, 444; 99/403, 422, 425–426,

99/339, 445; 220/23.4, 377, 574, 573.1–573.3,

220/752–753, 755–759, 912; 248/157

See application file for complete search history.

DESCRIPTION

FIG. 1 is a top perspective view of a soup display assembly showing my new design;

FIG. 2 is a front view thereof;

FIG. 3 is a rear view thereof;

FIG. 4 is a right view thereof;

FIG. 5 is a top plan view thereof; and,

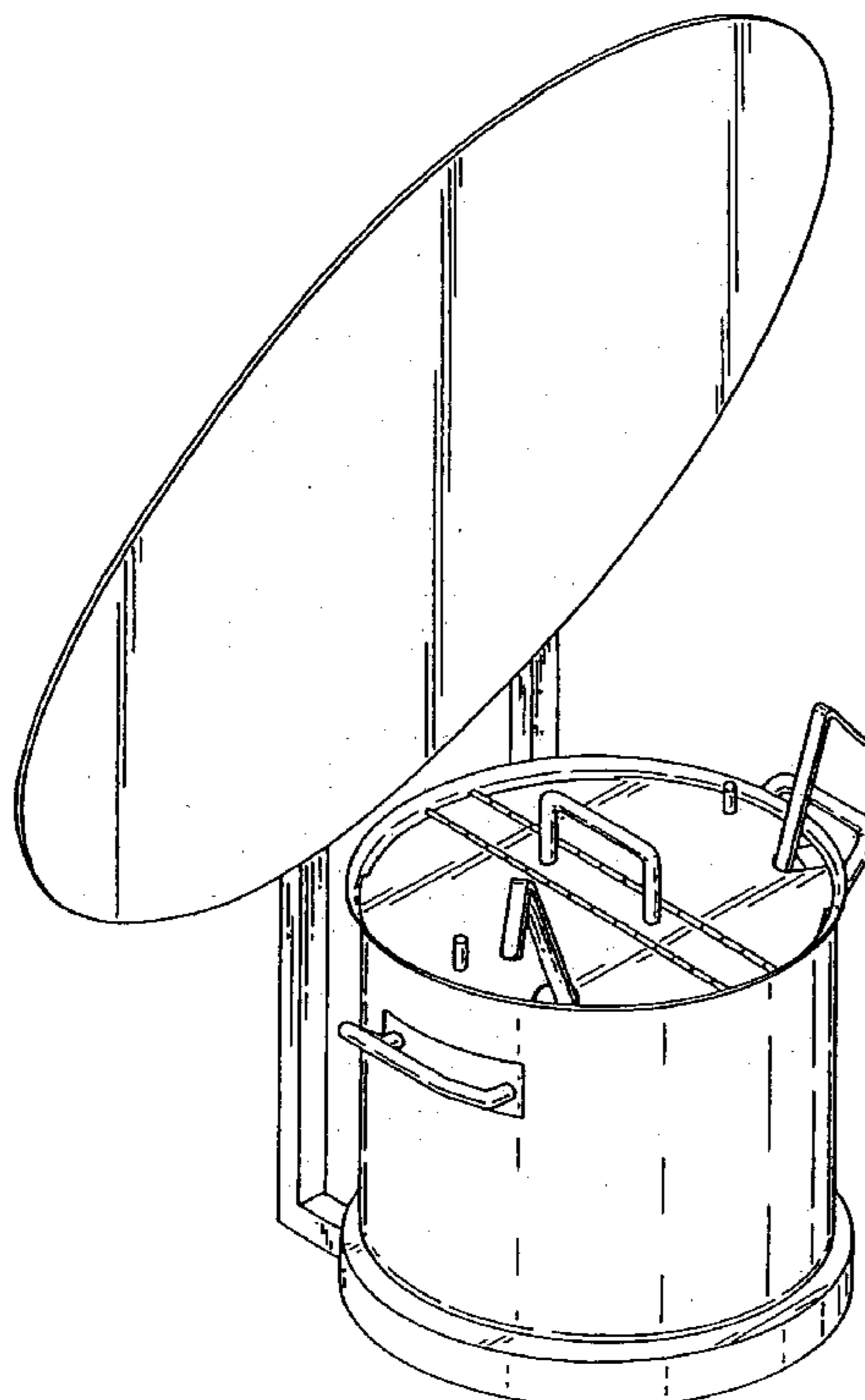
FIG. 6 is a bottom plan view thereof.

(56) **References Cited**

U.S. PATENT DOCUMENTS

D263,193 S * 3/1982 Sano D7/360

1 Claim, 5 Drawing Sheets



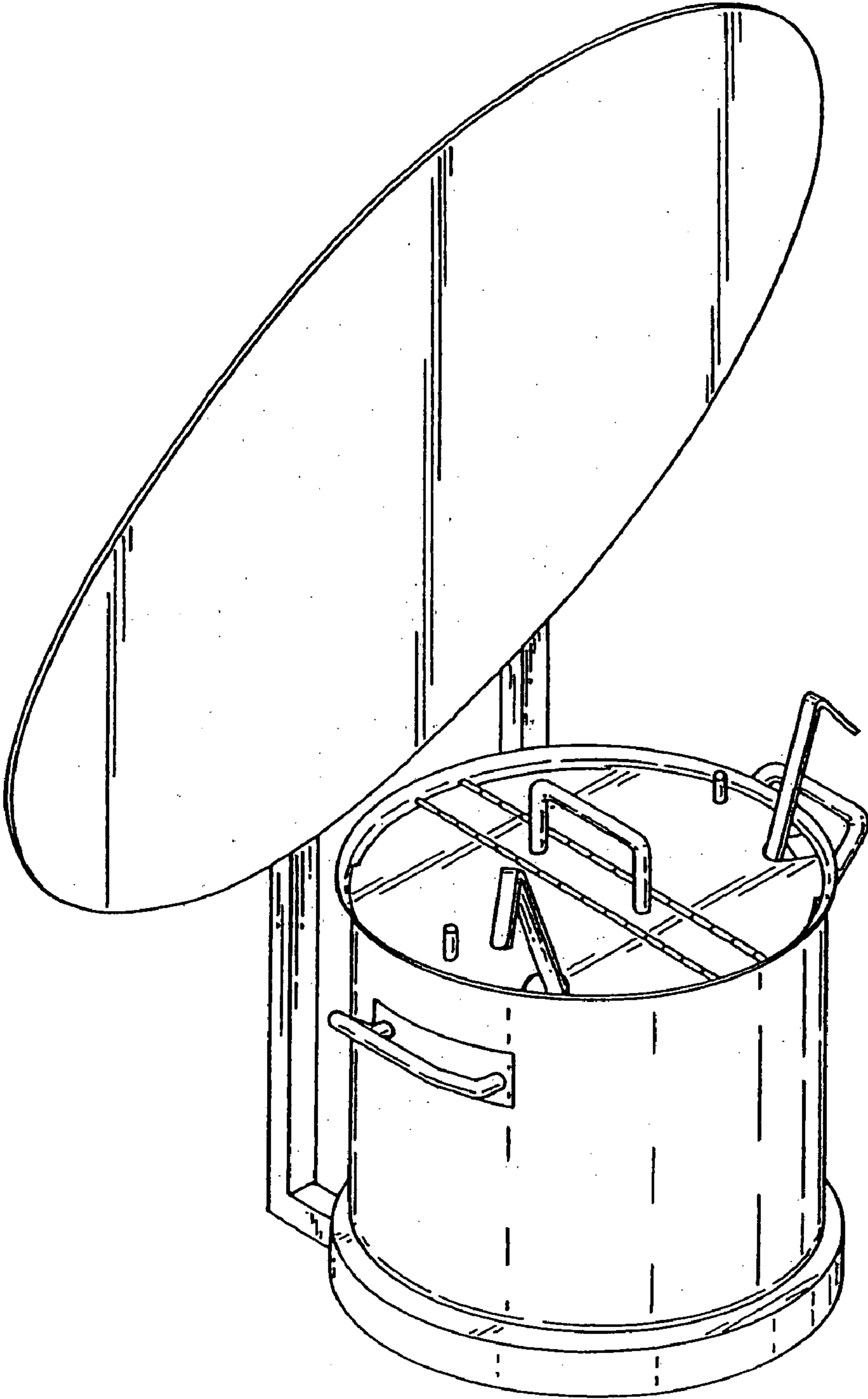


Fig. 1

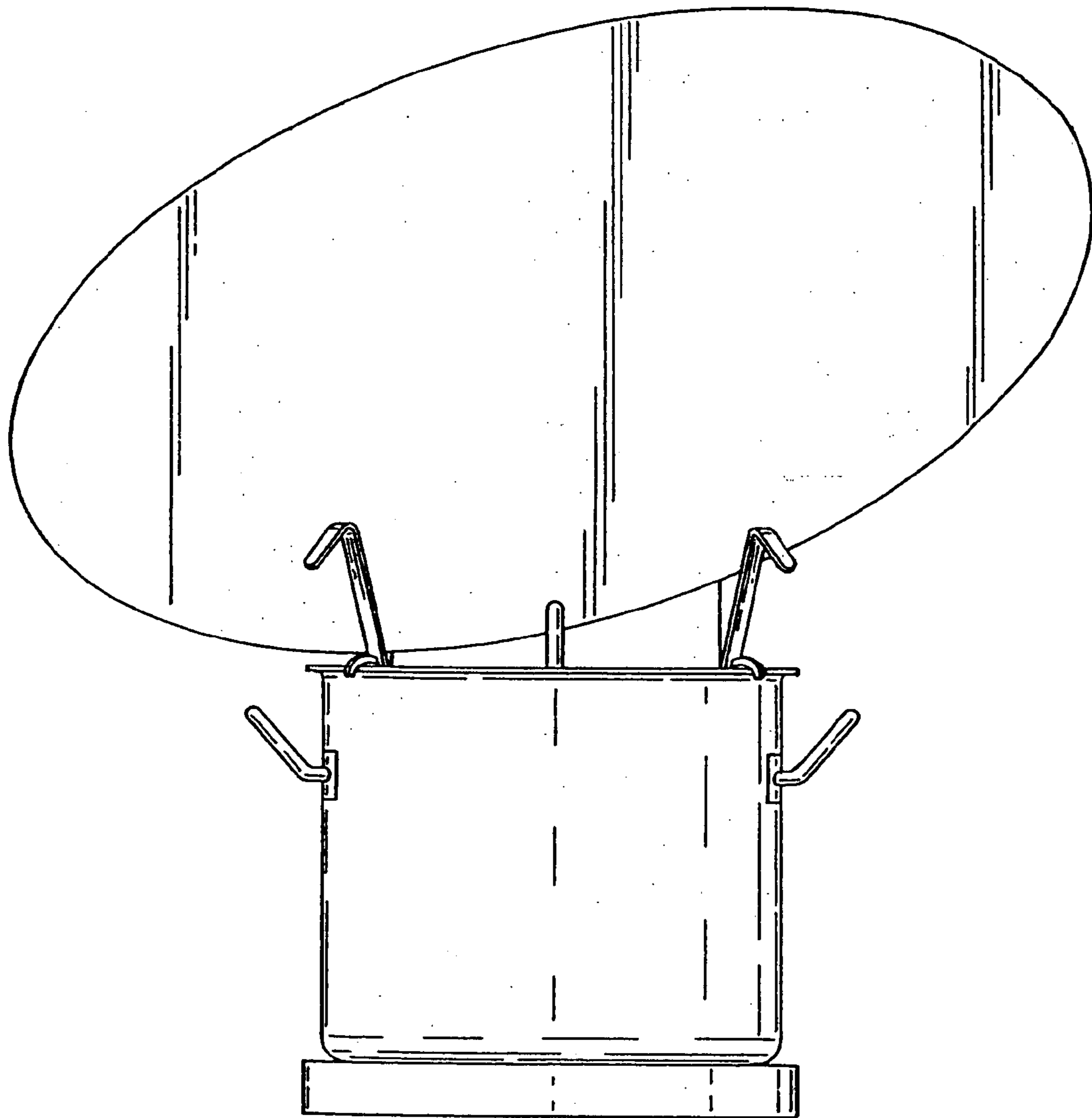


Fig. 2

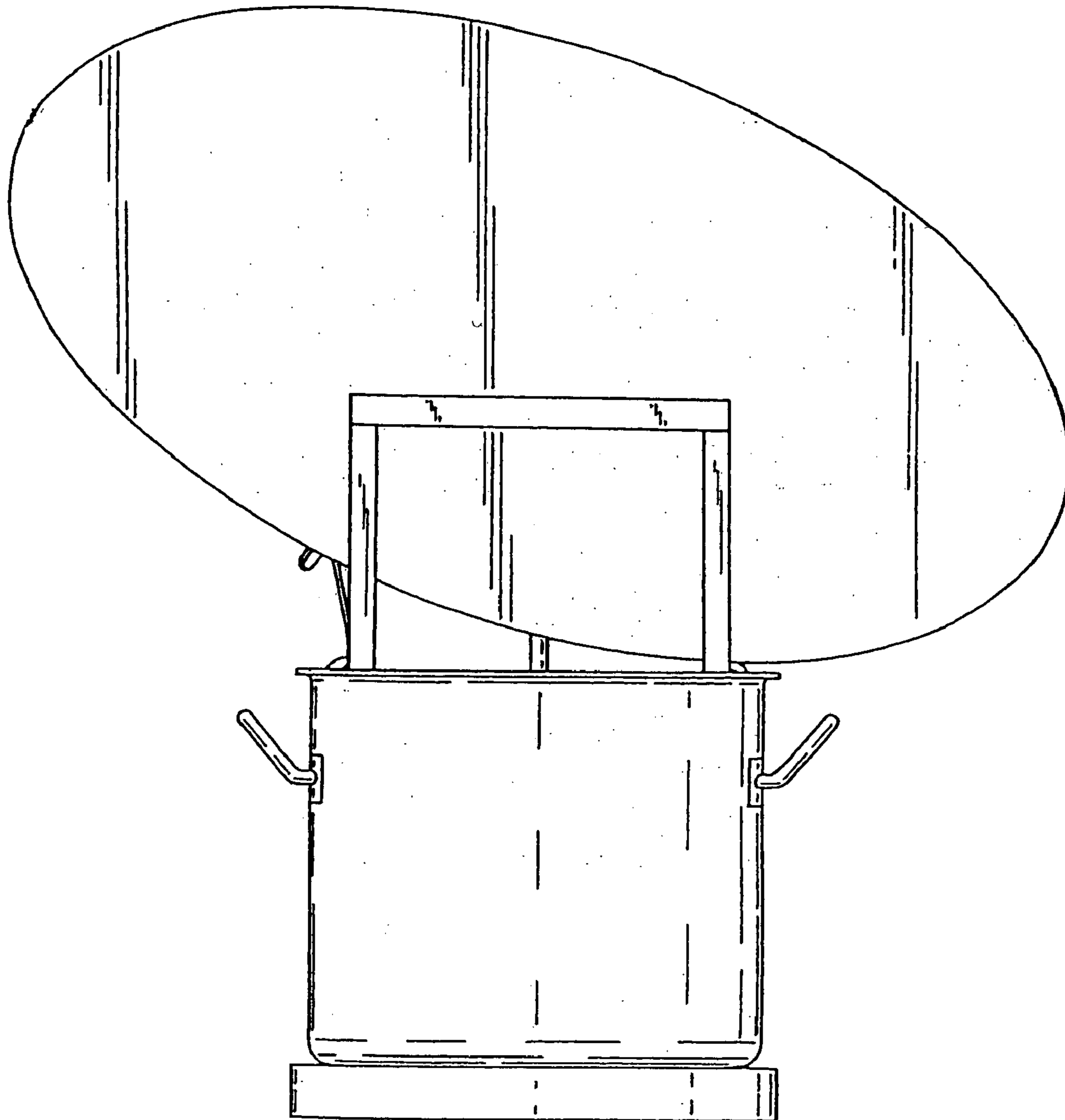


Fig. 3

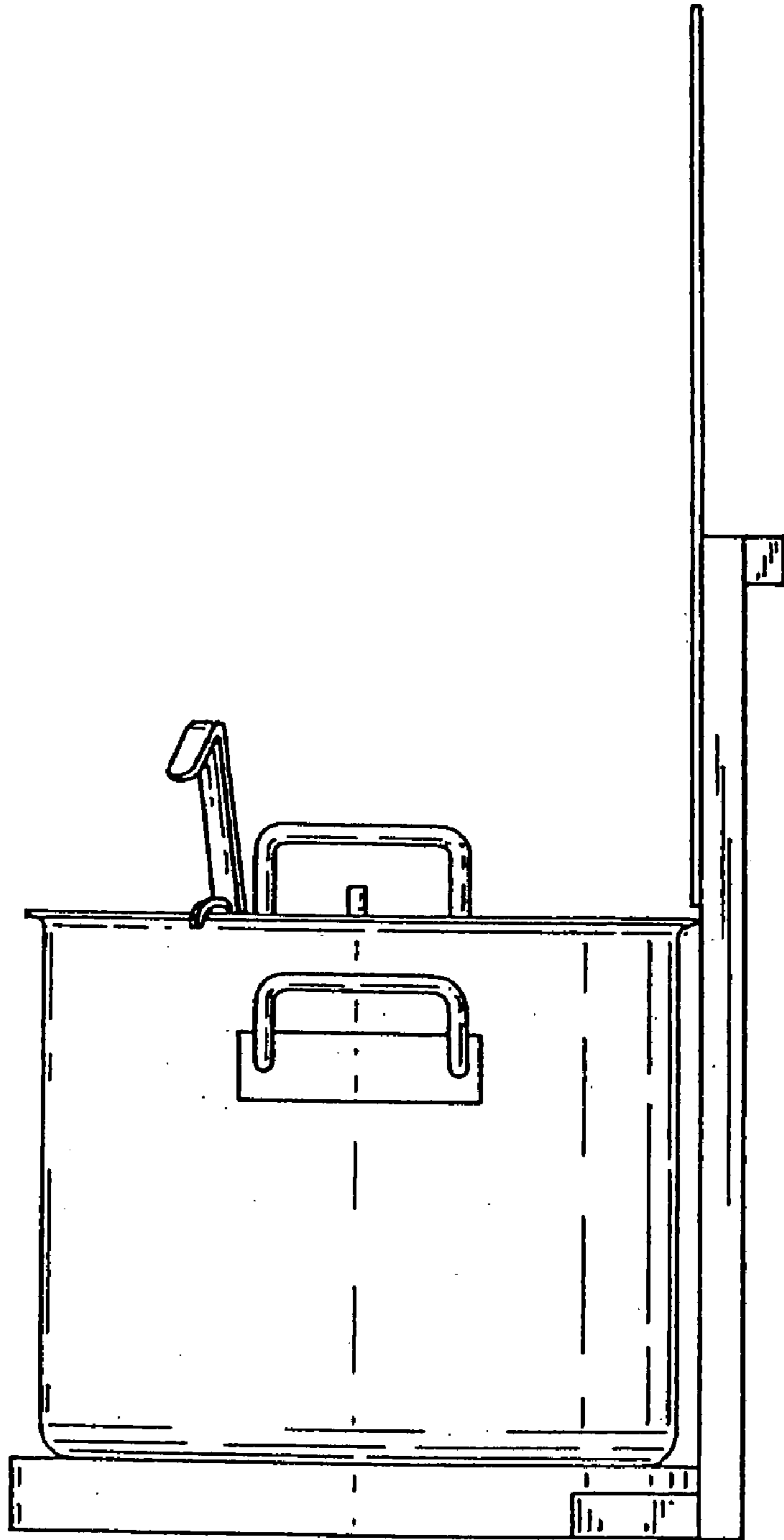


Fig. 4

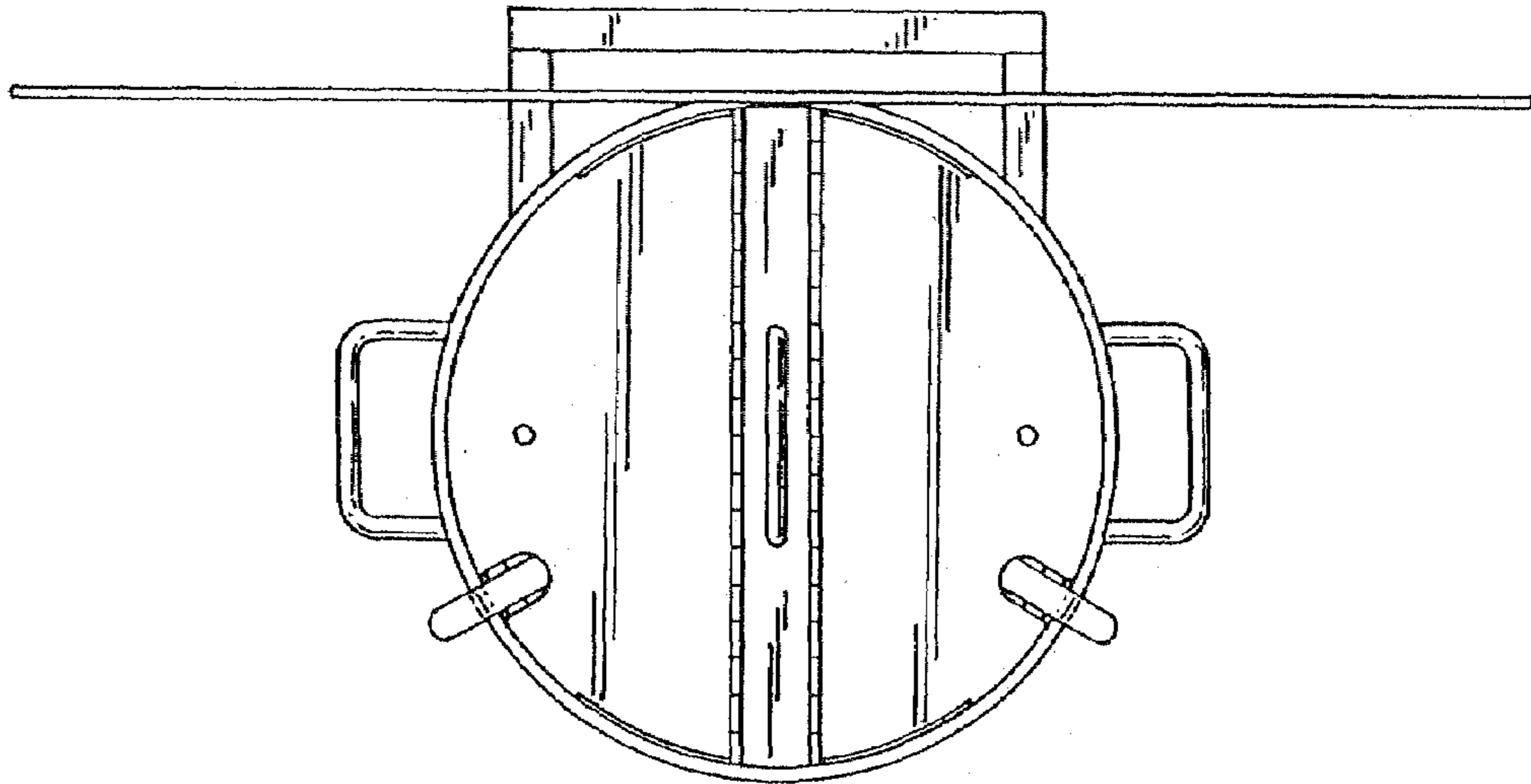


FIG. 5

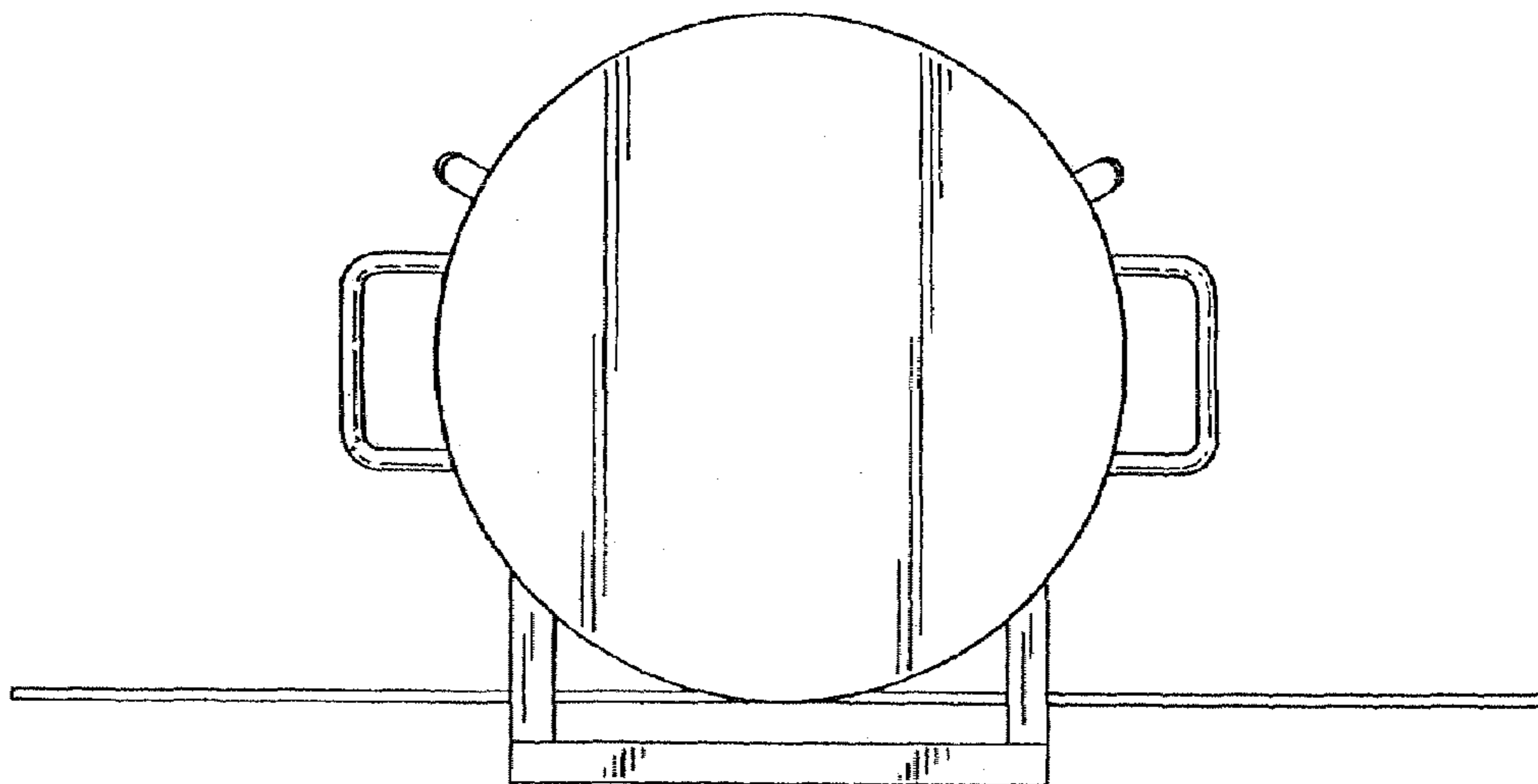


FIG. 6

UNITED STATES PATENT AND TRADEMARK OFFICE
CERTIFICATE OF CORRECTION

PATENT NO. : Des. 566,458 S
APPLICATION NO. : 29/243559
DATED : April 15, 2008
INVENTOR(S) : Johan Hendrik de Gooijer

Page 1 of 1

It is certified that error appears in the above-identified patent and that said Letters Patent is hereby corrected as shown below:

Title Page item 73

The Assignee should be correct to read:

-- Conopco, Inc. d/b/a Unilever, Englewood Cliffs, NJ --

The above cited printing errors were solely committed by the U.S. PTO.

Signed and Sealed this

First Day of July, 2008

A handwritten signature in black ink that reads "Jon W. Dudas". The signature is written in a cursive style with a large, stylized initial 'J'.

JON W. DUDAS

Director of the United States Patent and Trademark Office