



US00D566457S

(12) **United States Design Patent**
Ryan

(10) **Patent No.:** **US D566,457 S**

(45) **Date of Patent:** **** *Apr. 15, 2008**

(54) **SLOW COOKER**

(75) Inventor: **Mary Anne Ryan**, Millville, MA (US)

(73) Assignee: **Sunbeam Products, Inc.**, Boca Raton, FL (US)

(*) Notice: This patent is subject to a terminal disclaimer.

(**) Term: **14 Years**

(21) Appl. No.: **29/213,717**

(22) Filed: **Sep. 22, 2004**

Related U.S. Application Data

(63) Continuation-in-part of application No. 29/205,340, filed on May 13, 2004, now Pat. No. Des. 520,806.

(51) **LOC (8) Cl.** **07-02**

(52) **U.S. Cl.** **D7/360**

(58) **Field of Classification Search** D7/323, D7/545, 354-361, 337; 219/429, 432, 438, 219/440, 401, 441; 99/324, 325, 340, 347, 99/403, 410, 411-413, 419; 220/573.1, 912
See application file for complete search history.

(56) **References Cited**

U.S. PATENT DOCUMENTS

- D104,914 S * 6/1937 Cross D7/360
- D113,632 S * 3/1939 Howlett D7/360
- D152,042 S * 12/1948 Sundberg D7/360
- D170,575 S * 10/1953 Jepson D7/360
- D176,063 S * 11/1955 Collura D7/360

- D230,935 S * 3/1974 Lloveras D7/360
- D232,148 S * 7/1974 Yarrington D7/360
- D241,601 S * 9/1976 Cook D7/356
- D248,363 S 7/1978 Rinaldi
- D267,388 S * 12/1982 Spoeth et al. D7/360
- D268,471 S * 4/1983 Gremonprez D7/355
- D270,030 S * 8/1983 Catry D7/360
- D278,403 S * 4/1985 Cesaroni D7/360
- D284,257 S 6/1986 Greb et al.
- D336,815 S 6/1993 Cashin et al.
- D366,592 S 1/1996 Cesaroni et al.
- 5,865,098 A 2/1999 Anelli

(Continued)

Primary Examiner—Caron D. Veynar

Assistant Examiner—Ricky Pham

(74) *Attorney, Agent, or Firm*—Hoffmann & Baron, LLP

(57) **CLAIM**

The ornamental design for a slow cooker, as shown and described.

DESCRIPTION

FIG. 1 is a top perspective view of a slow cooker showing my new design;

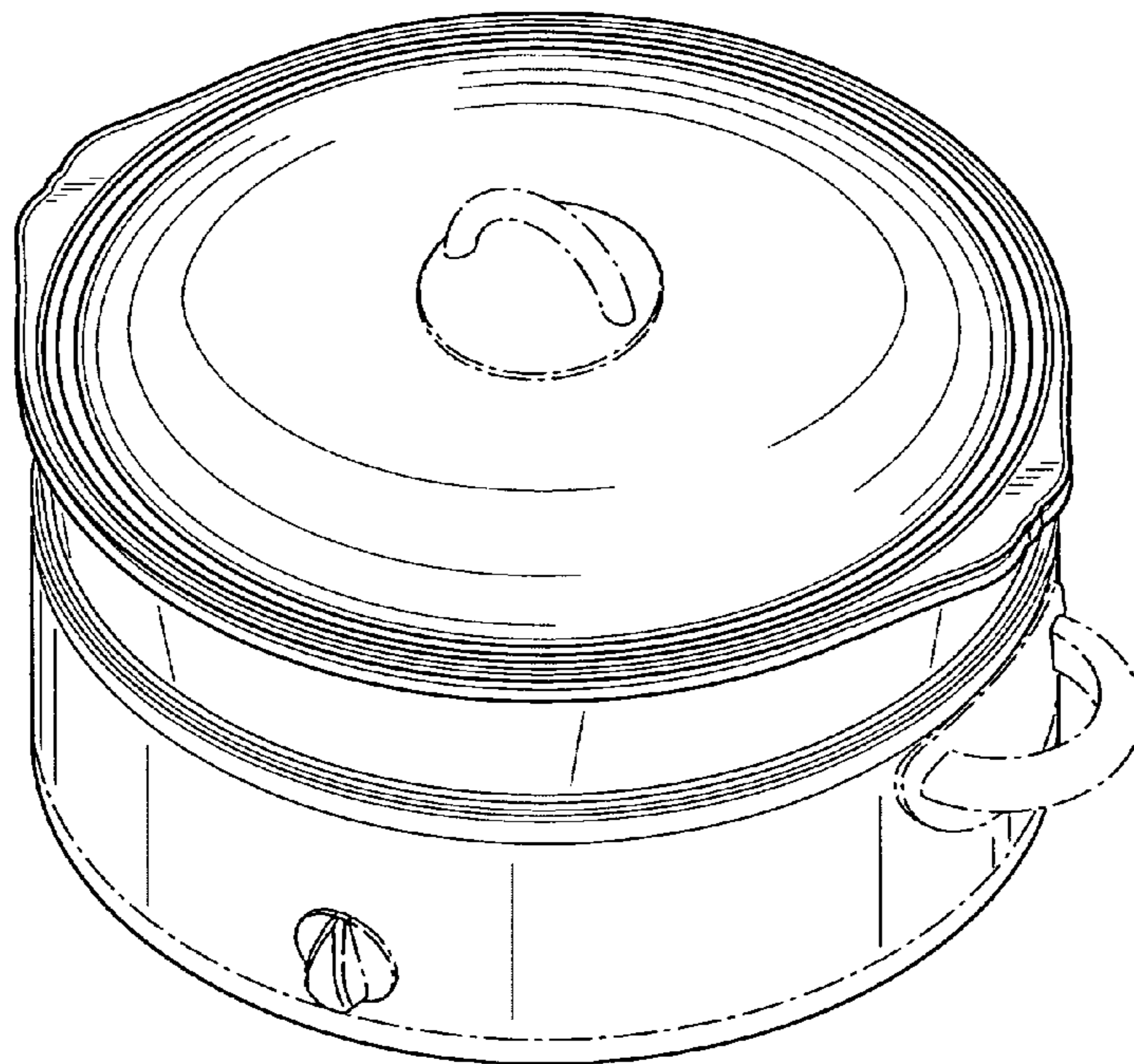
FIG. 2 is a top plan view thereof;

FIG. 3 is a front elevation view thereof; and,

FIG. 4 is a side elevation view thereof, the opposite side being a mirror image thereof.

The subject matter shown in broken lines is for illustrative purposes only and forms no part of the claimed design.

1 Claim, 4 Drawing Sheets



US D566,457 S

Page 2

U.S. PATENT DOCUMENTS

D409,447 S *	5/1999	Henry	D7/542	D450,528 S *	11/2001	Rossman	D7/360
D412,263 S *	7/1999	Jozancy	D7/354	D451,335 S *	12/2001	Rossman	D7/360
D416,434 S *	11/1999	Pollnow	D7/360	D459,144 S	6/2002	Brady	
D420,246 S *	2/2000	Alonge et al.	D7/360	D470,714 S *	2/2003	Kloppsteck	D7/360
D425,360 S *	5/2000	Dobson et al.	D7/360	6,573,483 B1	6/2003	DeCobert et al.	
D427,480 S *	7/2000	Brady	D7/354	D480,908 S	10/2003	Krasne	
D429,596 S *	8/2000	Hlava et al.	D7/360	D503,584 S *	4/2005	White et al.	D7/355
D430,454 S *	9/2000	Garber et al.	D7/354	D511,268 S *	11/2005	Ryan	D7/360
D433,868 S *	11/2000	Jo	D7/360	7,009,149 B2 *	3/2006	White et al.	219/432
D433,869 S *	11/2000	Wong et al.	D7/360	D520,806 S *	5/2006	Ryan	D7/354
D434,940 S	12/2000	Hlava et al.		D523,687 S *	6/2006	Jian	D7/360
D435,393 S *	12/2000	Jo	D7/360	D525,077 S *	7/2006	White et al.	D7/355
D438,422 S *	3/2001	Choi	D7/360	D534,759 S *	1/2007	Wang	D7/354
D444,994 S	7/2001	Kalina et al.		D542,081 S *	5/2007	Picozza et al.	D7/354
D445,298 S *	7/2001	DeBord et al.	D7/360	2005/0145615 A1 *	7/2005	Schaffeld et al.	219/440
D448,238 S *	9/2001	Schmidt	D7/362				

* cited by examiner

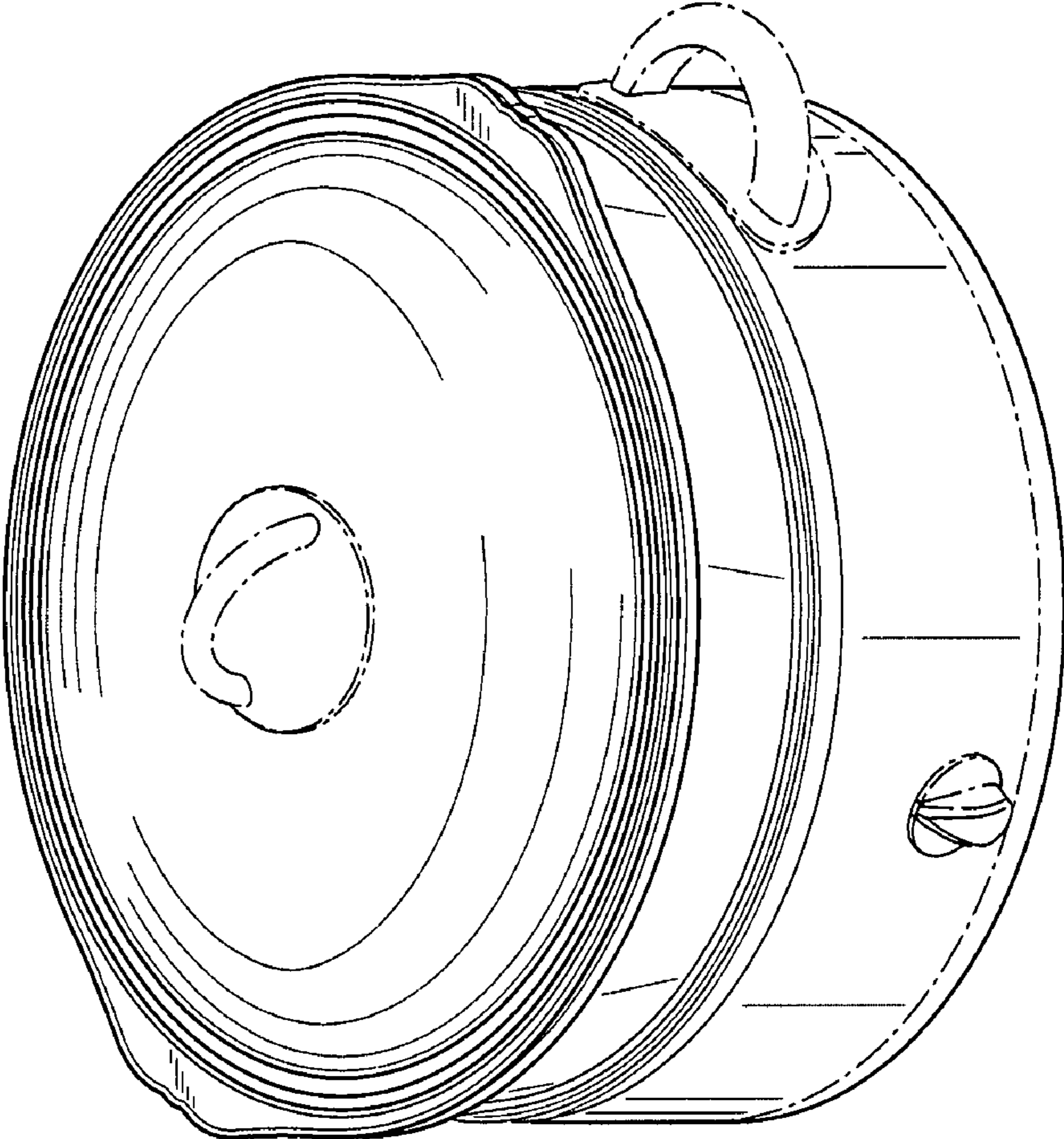


FIG. 1

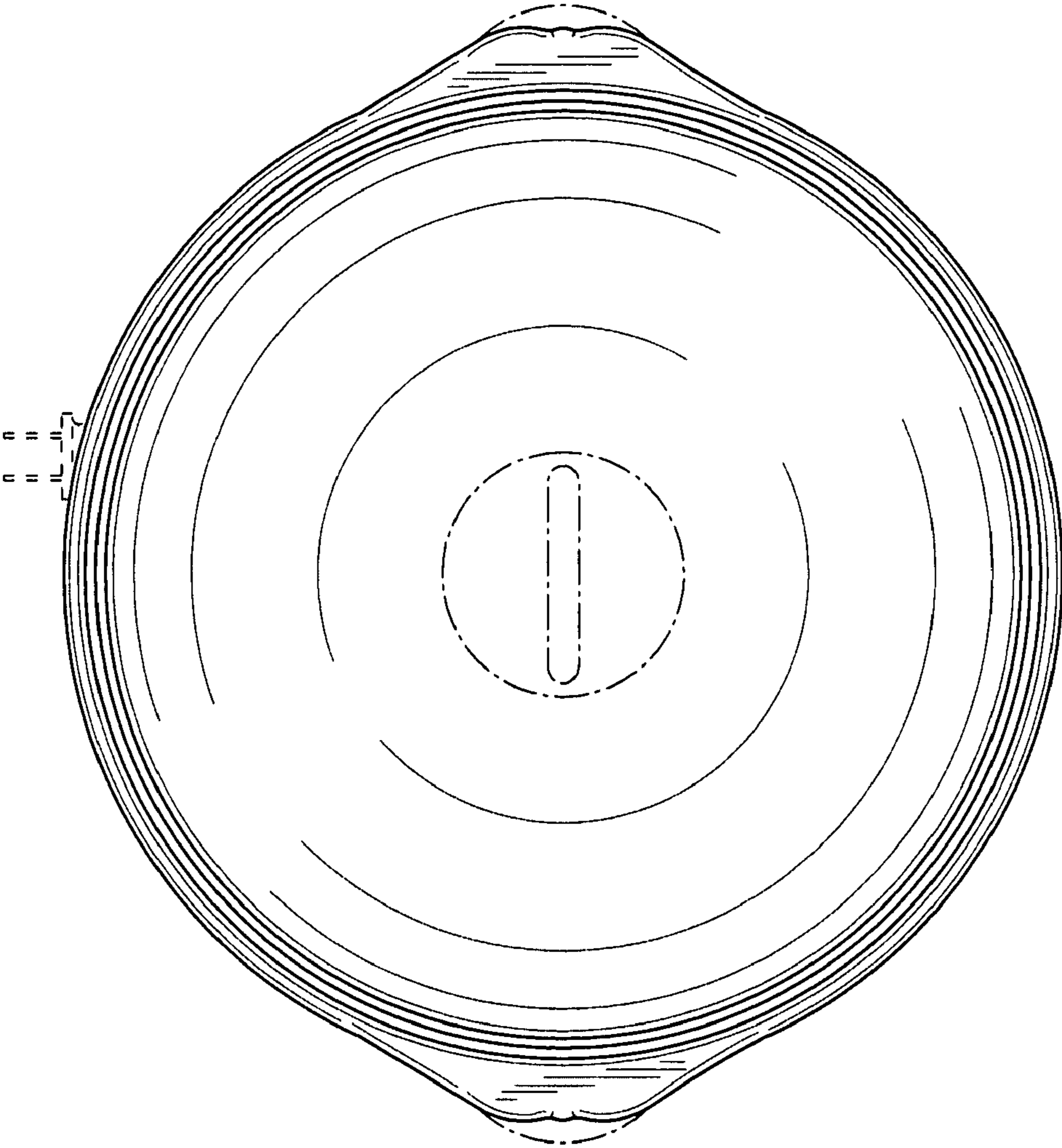


FIG. 2

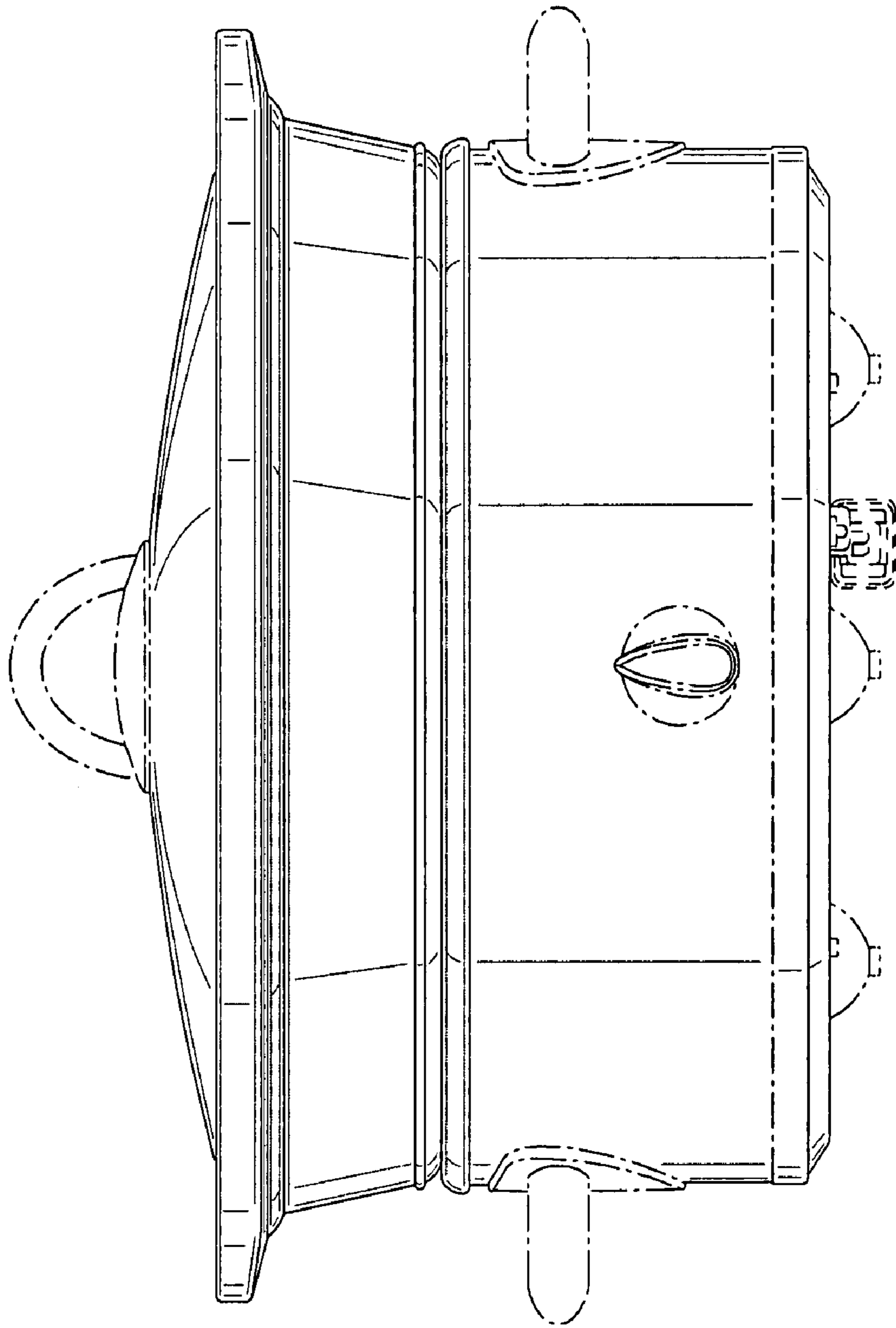


FIG. 3

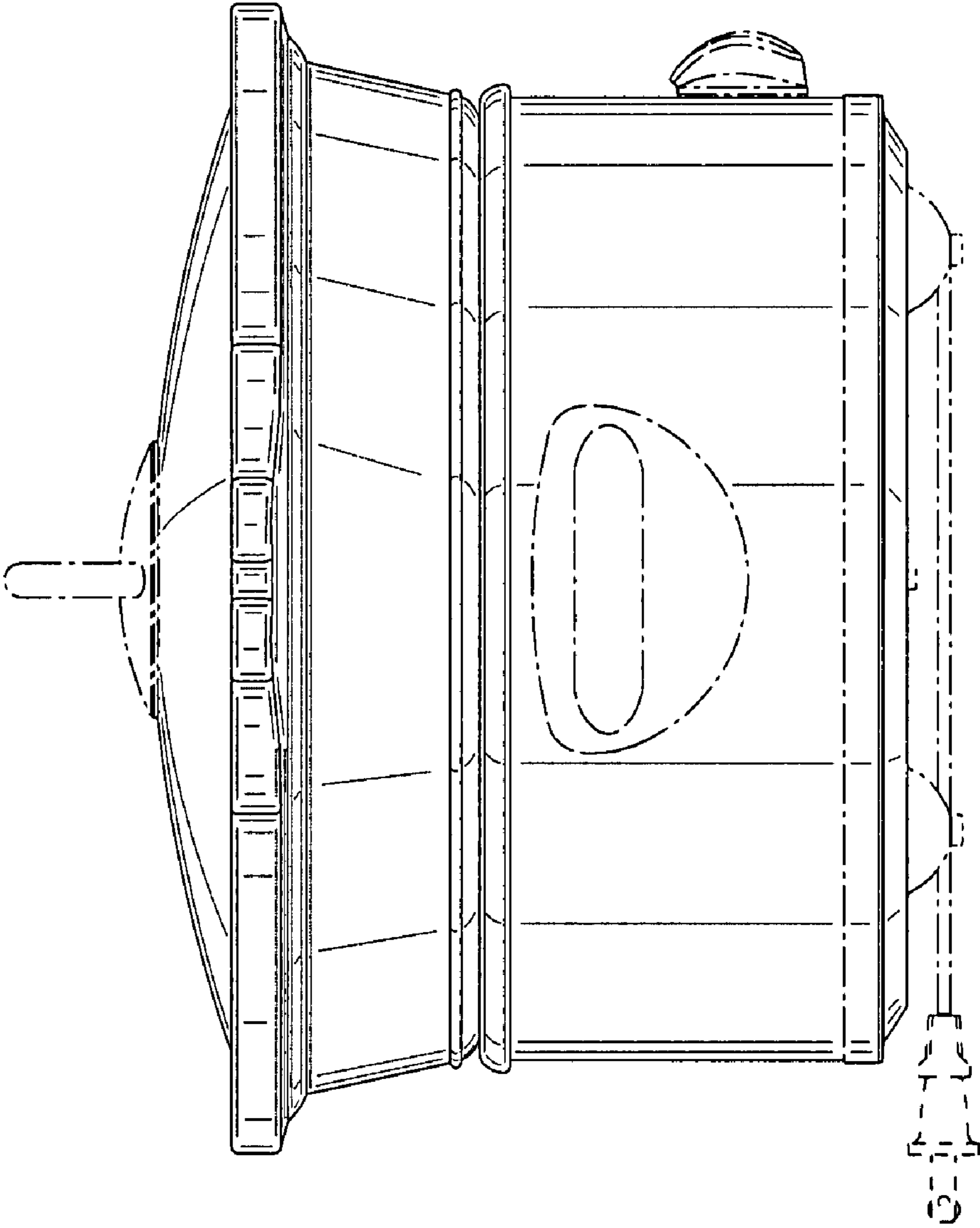


FIG. 4