

US00D566456S

(12) **United States Design Patent**
Profitt

(10) **Patent No.:** **US D566,456 S**

(45) **Date of Patent:** **** Apr. 15, 2008**

(54) **GRILL**

(75) Inventor: **Mark T. Profitt**, Greeneville, TN (US)

(73) Assignee: **Meco Corporation**, Greeneville, TN (US)

(**) Term: **14 Years**

(21) Appl. No.: **29/249,019**

(22) Filed: **Sep. 15, 2006**

(51) **LOC (8) Cl.** **07-02**

(52) **U.S. Cl.** **D7/334**

(58) **Field of Classification Search** D7/332,
D7/334-337, 402-404; 126/25 R, 25 A,
126/25 AA, 37 R, 38, 41 R, 40, 39 B, 268,
126/276, 9 R; 99/449, 473, 481, 482
See application file for complete search history.

(56) **References Cited**

U.S. PATENT DOCUMENTS

D521,308 S * 5/2006 Tseng D7/334
D535,139 S * 1/2007 Lutz D7/334
D541,575 S * 5/2007 Lutz D7/334

D541,576 S * 5/2007 Lutz D7/334
D546,116 S * 7/2007 Tseng D7/334
D546,616 S * 7/2007 Tseng D7/334
D549,511 S * 8/2007 Chung D7/334
D549,512 S * 8/2007 Chung D7/334
D549,514 S * 8/2007 Chung D7/334

* cited by examiner

Primary Examiner—Ruth McInroy

(74) *Attorney, Agent, or Firm*—McGuireWoods LLP

(57) **CLAIM**

I claim the ornamental design for a grill, as shown and described.

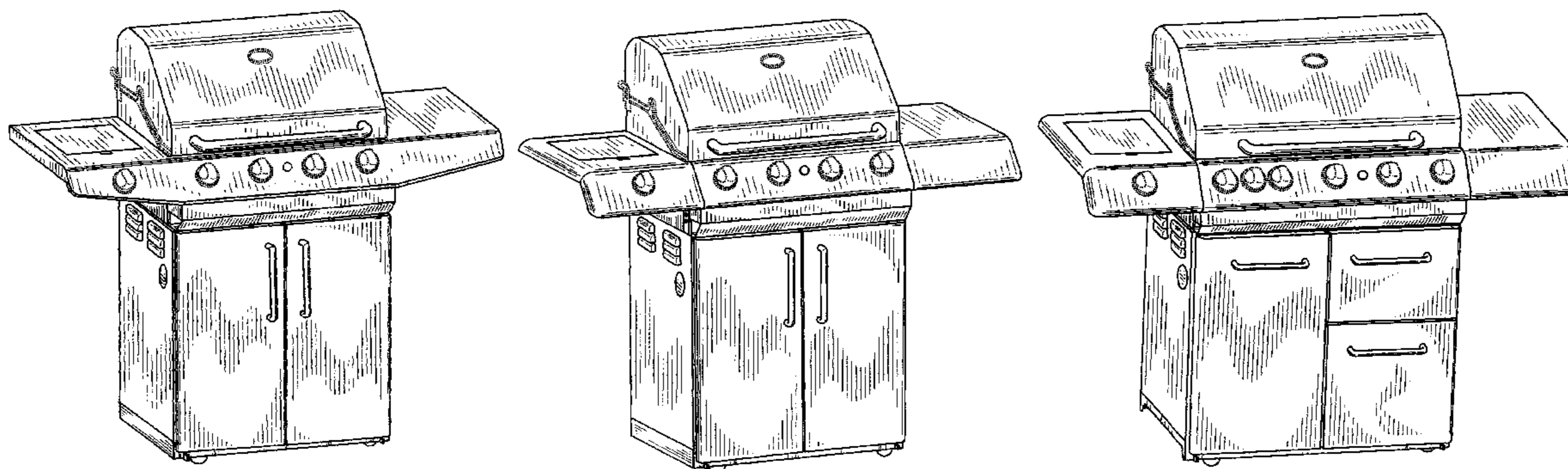
DESCRIPTION

FIG. 1 is a perspective side view of the first embodiment of the grill;

FIG. 2 is a perspective side view of the second embodiment of the grill; and,

FIG. 3 is a perspective side view of the third embodiment of the grill.

1 Claim, 3 Drawing Sheets



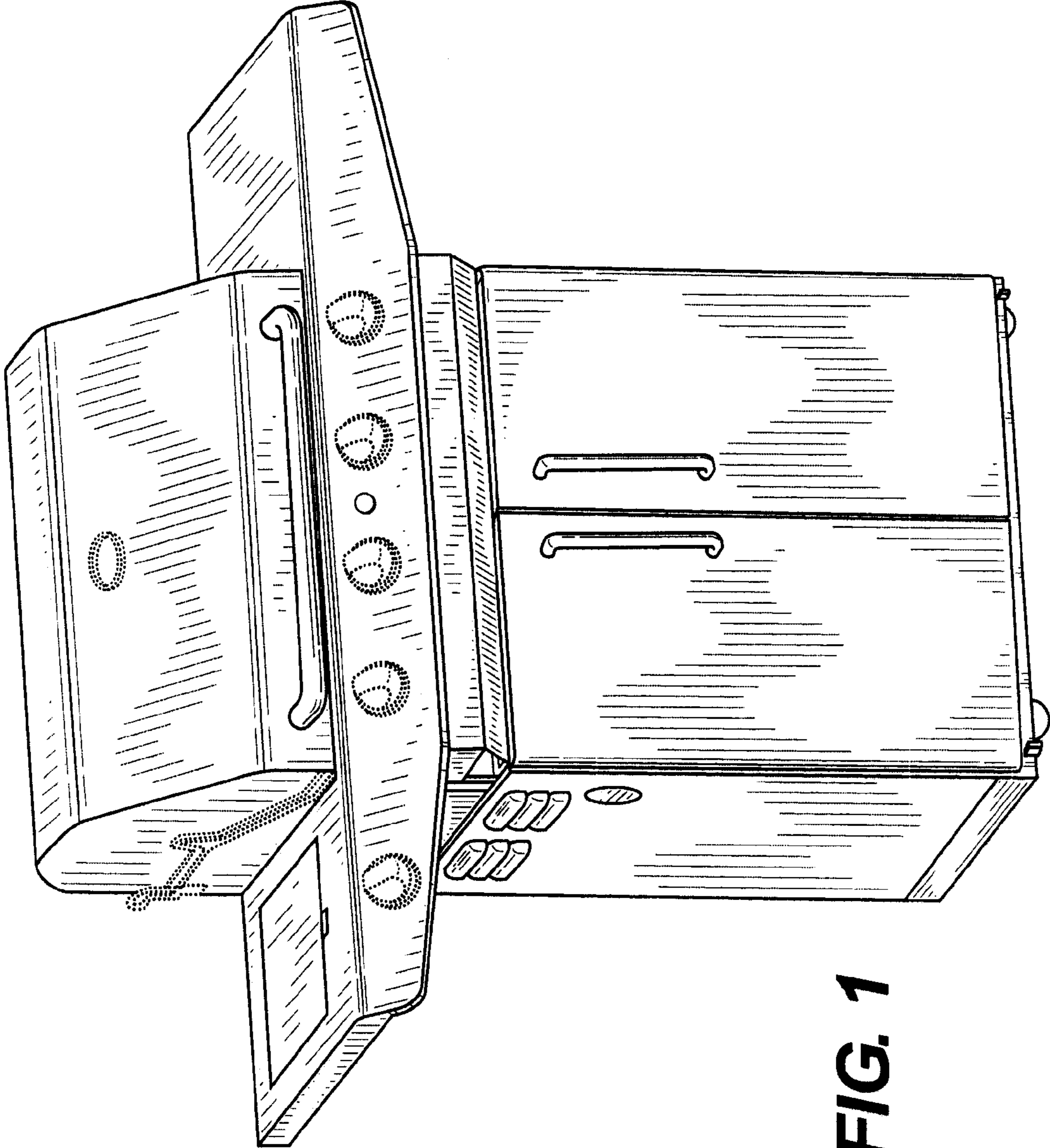
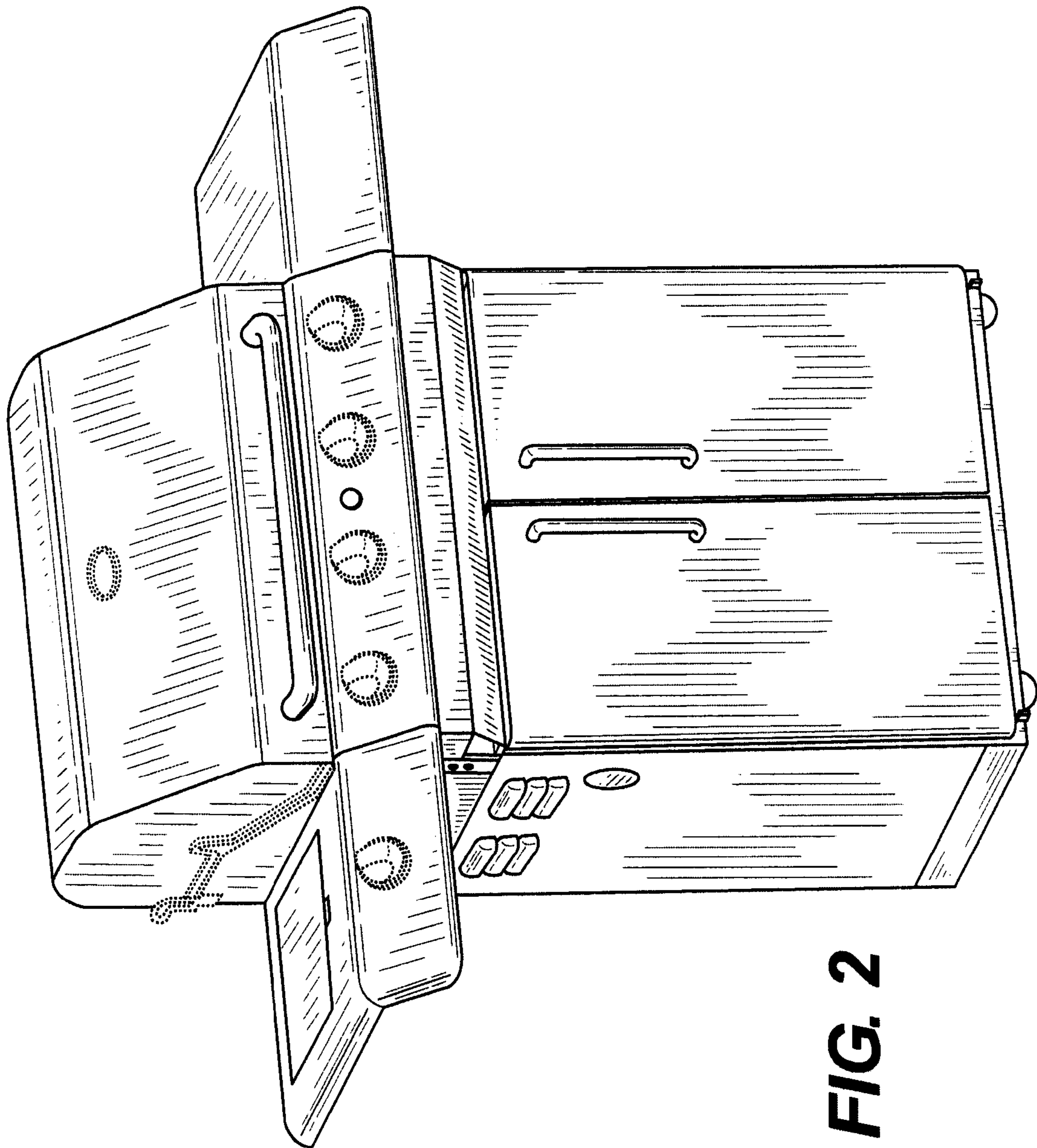


FIG. 1



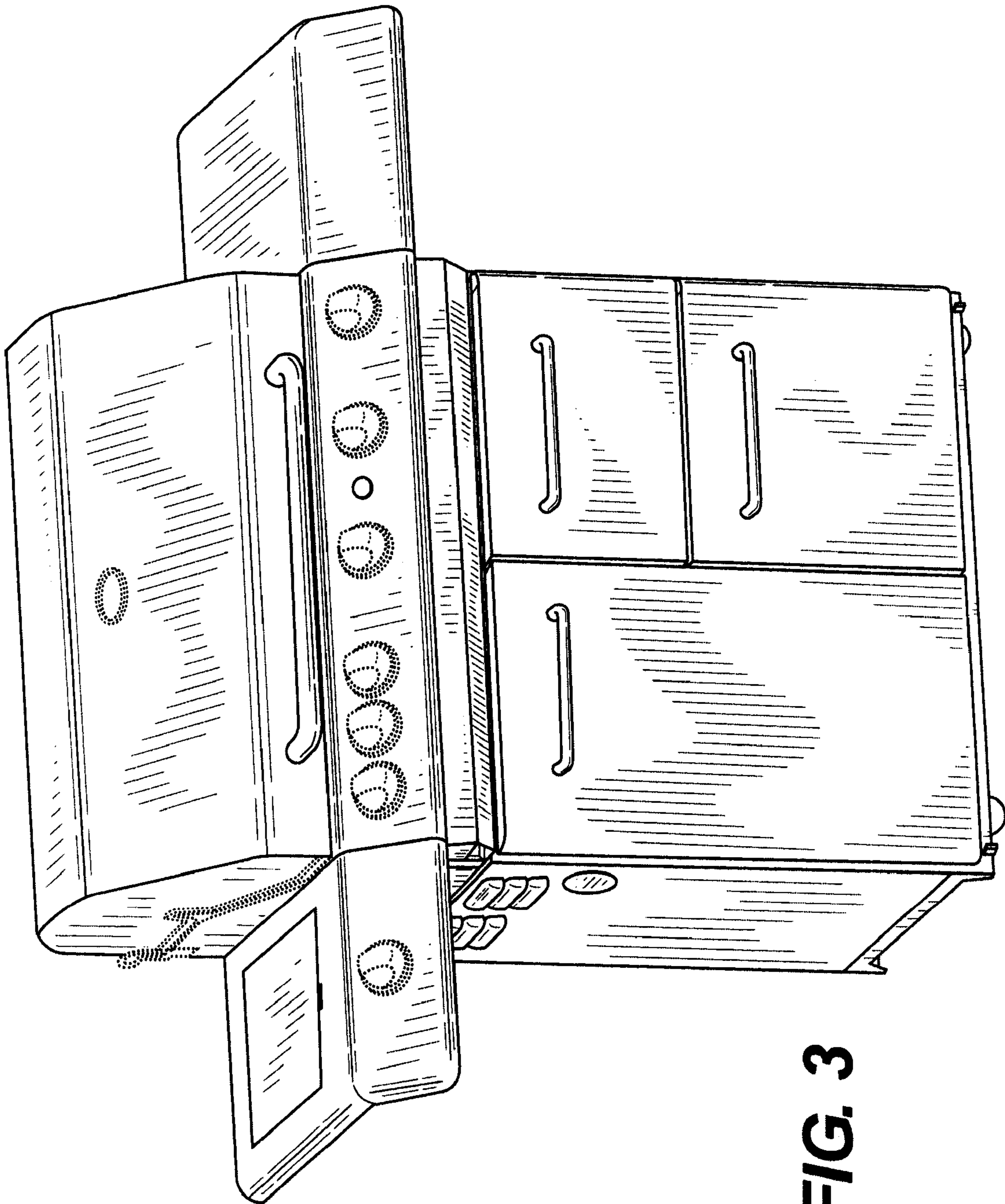


FIG. 3

UNITED STATES PATENT AND TRADEMARK OFFICE
CERTIFICATE OF CORRECTION

PATENT NO. : Des. 566,456 S
APPLICATION NO. : 29/249019
DATED : April 15, 2008
INVENTOR(S) : Mark T. Proffitt

Page 1 of 1

It is certified that error appears in the above-identified patent and that said Letters Patent is hereby corrected as shown below:

Title page, item [75] the inventor's name, "Mark T. Proffitt", should read --Mark T. Proffitt--.

Signed and Sealed this

Twenty-ninth Day of December, 2009

A handwritten signature in black ink that reads "David J. Kappos". The signature is written in a cursive style with a large initial 'D' and 'K'.

David J. Kappos
Director of the United States Patent and Trademark Office