



US00D566455S

(12) **United States Design Patent**
Bodum

(10) **Patent No.: US D566,455 S**

(45) **Date of Patent: ** Apr. 15, 2008**

(54) **CAST IRON TEAPOT**

D502,838 S * 3/2005 Ancona D7/321
D524,590 S * 7/2006 Bodum D7/321

(75) Inventor: **Jørgen Bodum**, St. Niklausen (CH)

(73) Assignee: **Pi-Design AG**, Triengen (CH)

(**) Term: **14 Years**

(21) Appl. No.: **29/264,925**

(22) Filed: **Aug. 22, 2006**

(30) **Foreign Application Priority Data**

Feb. 27, 2006 (DK) DA 2006 00069

(51) **LOC (8) Cl.** **07-01**

(52) **U.S. Cl.** **D7/321; D7/320; D7/312**

(58) **Field of Classification Search** D7/320,
D7/300, 321, 322, 312; 99/317, 323, 323.3,
99/285, 321; 220/374, 522; 126/348; 100/123;
222/130, 189.07, 108, 500

See application file for complete search history.

(56) **References Cited**

U.S. PATENT DOCUMENTS

1,886,415 A * 11/1932 Mitchell 99/295
D95,753 S * 5/1935 Kaiser D7/302
D282,810 S * 3/1986 Urich D7/322
D343,759 S * 2/1994 Jorgensen D7/318
5,453,189 A * 9/1995 Joergensen 210/238
D486,989 S * 2/2004 Bodum D7/321
D490,641 S * 6/2004 Lebowitz D7/321

OTHER PUBLICATIONS

Orb Tea Kettle, Gifts and Decorative accessories, p. 127, Jul. 1988 Part 1.*

1679b Iron Ceremonial Tea Pot, Albert Kessler&Co., p. 26.*

Tea pot, Industrial Design, Sep. 1960, p61 second row, left panel.*

* cited by examiner

Primary Examiner—Marianne Pandozzi

Assistant Examiner—J. Scott

(74) *Attorney, Agent, or Firm*—Cowan, Liebowitz & Latman, PC

(57) **CLAIM**

The ornamental design for a cast iron teapot, as shown and described.

DESCRIPTION

FIG. 1 is a perspective view of the cast iron teapot showing my design thereof;

FIG. 2 is a front view thereof;

FIG. 3 is a back view thereof;

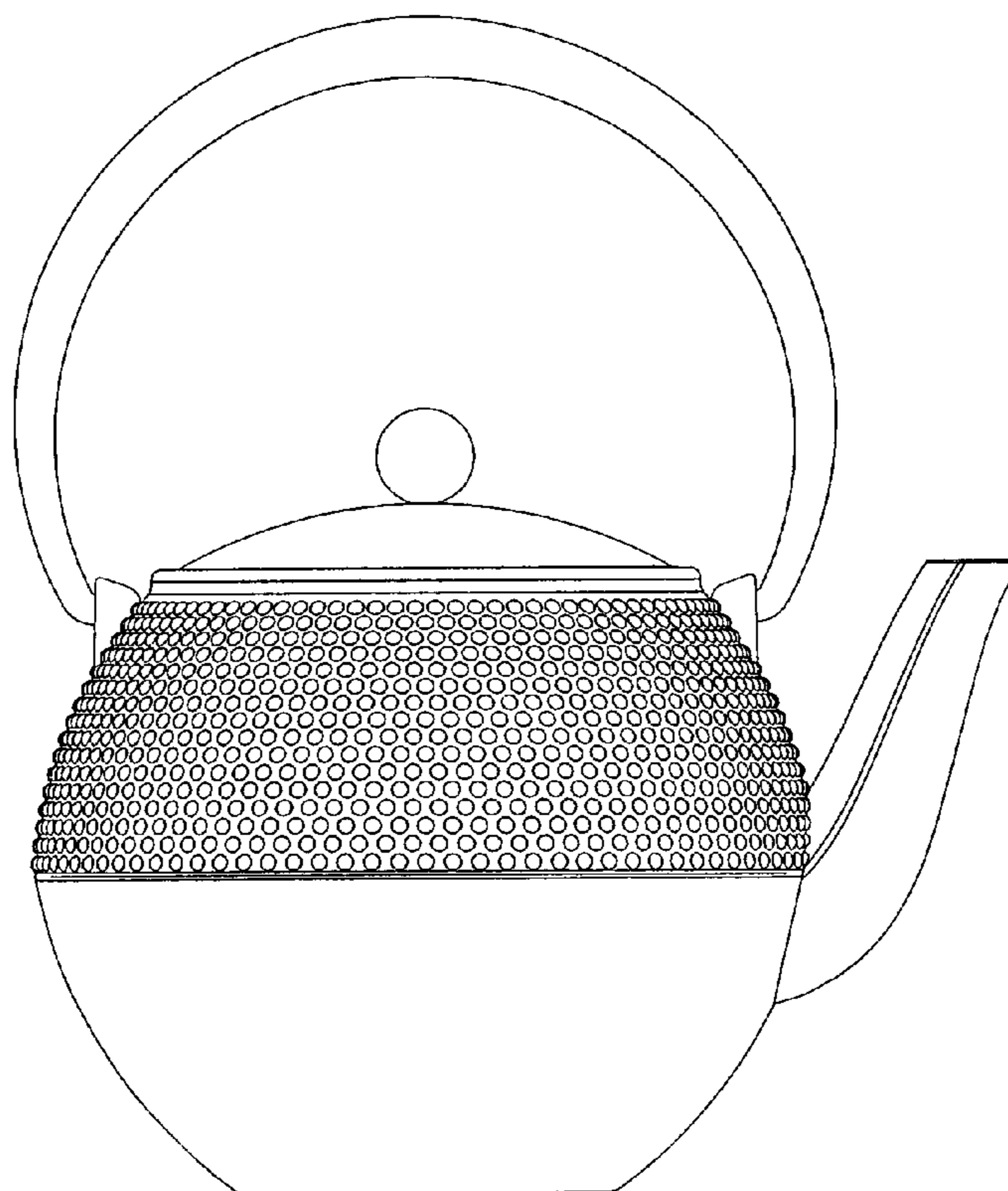
FIG. 4 is a right side view thereof;

FIG. 5 is a left side view thereof;

FIG. 6 is a top view thereof; and,

FIG. 7 is a bottom view thereof.

1 Claim, 7 Drawing Sheets



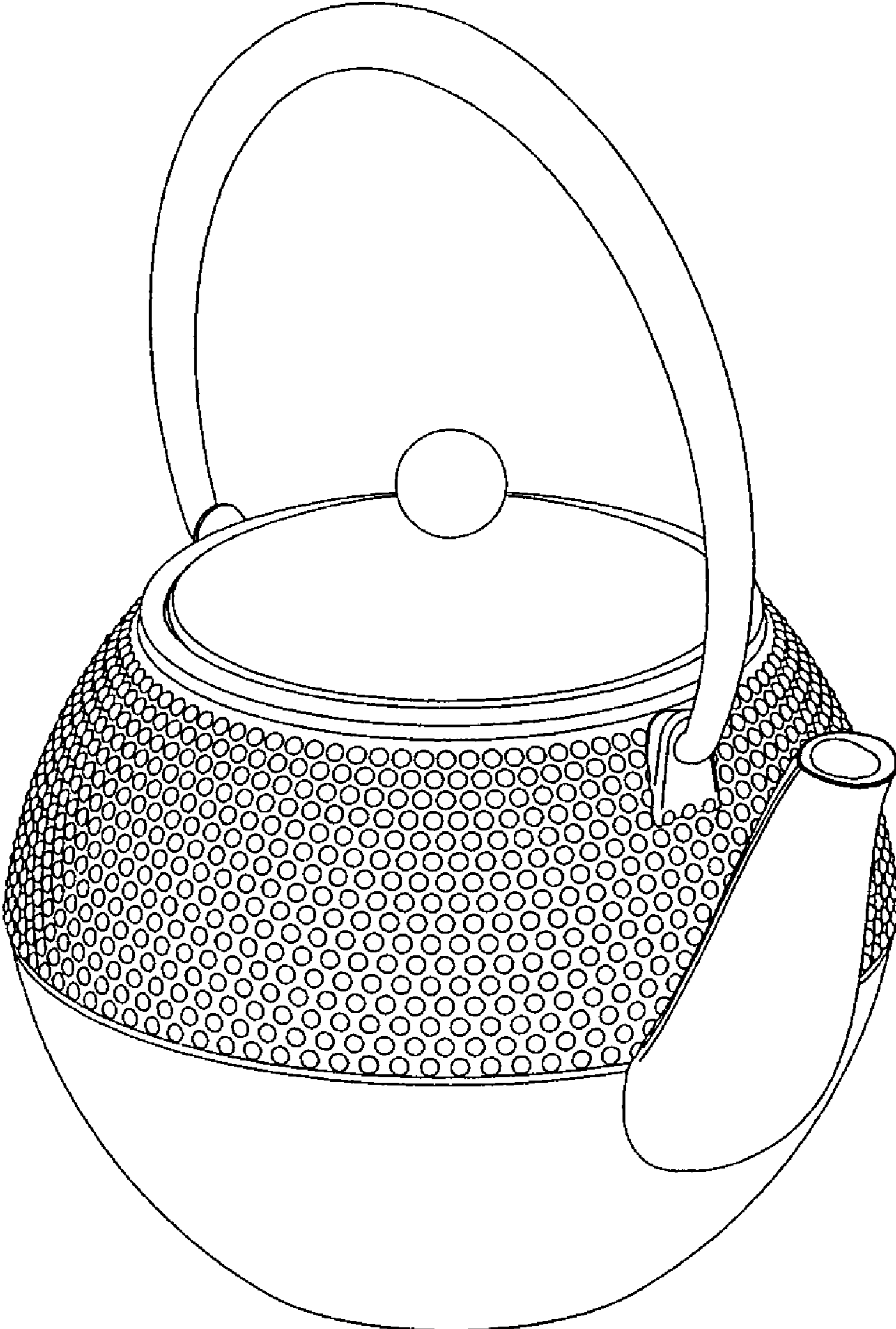


FIG. 1

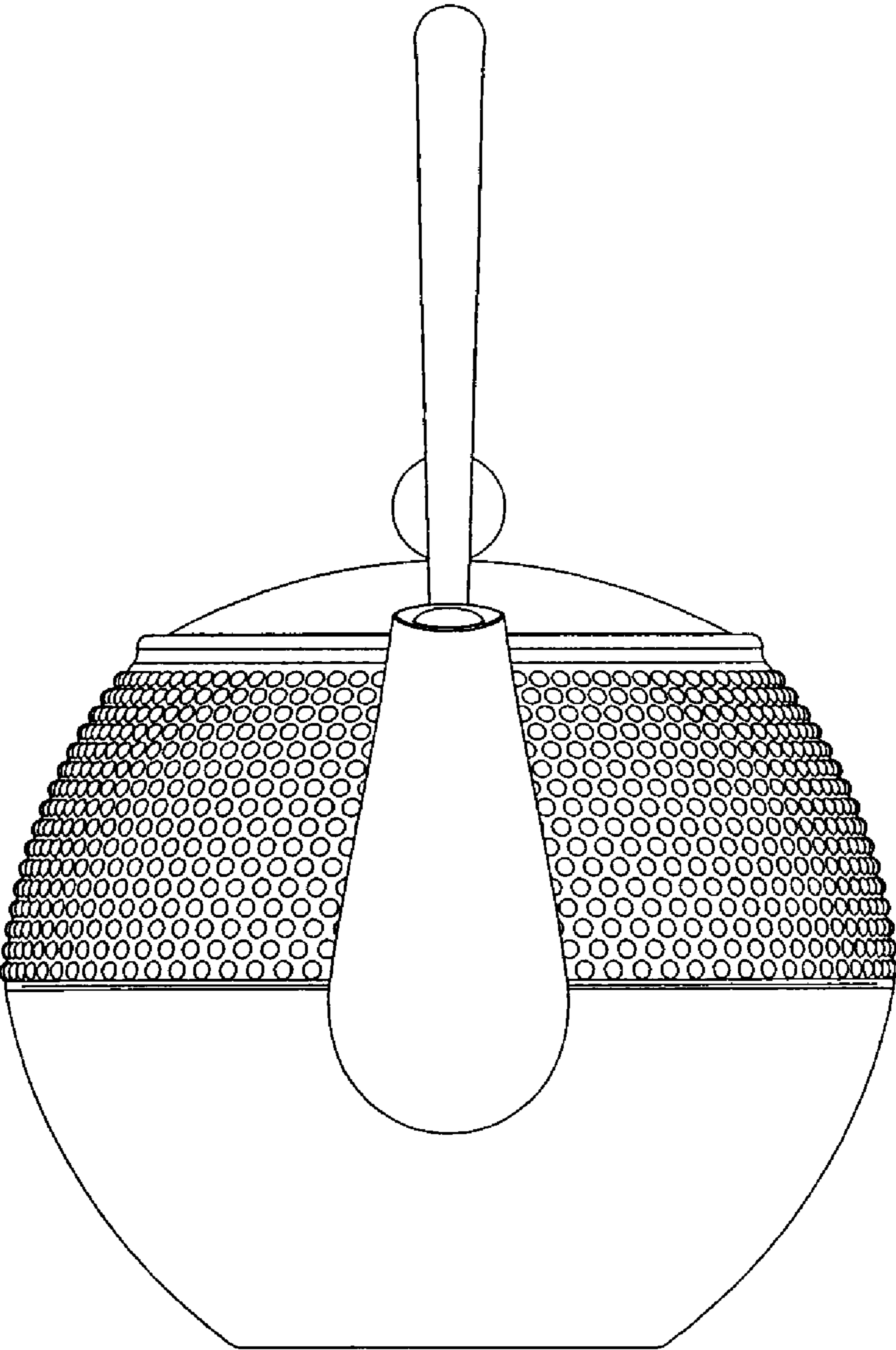


FIG. 2

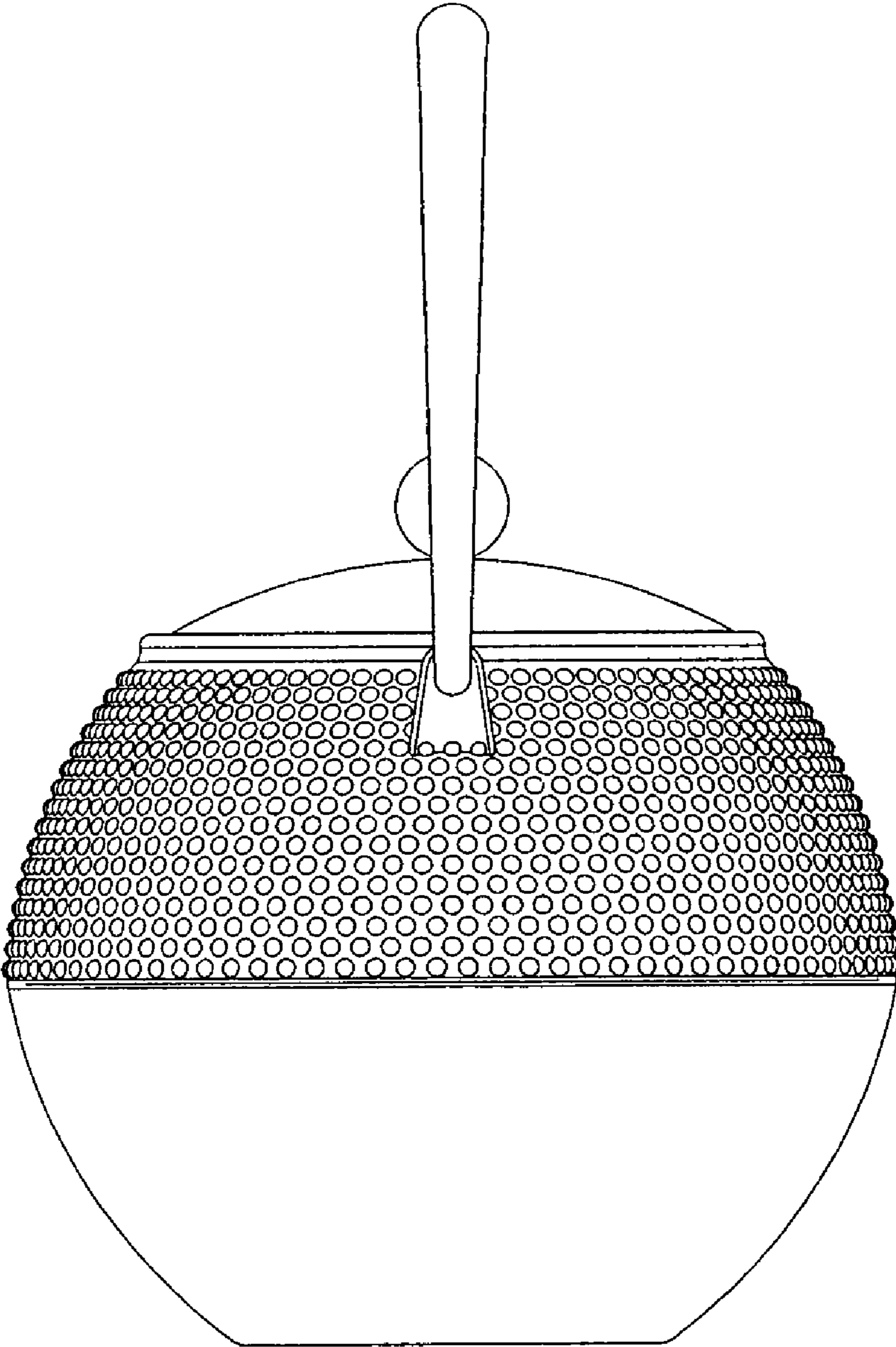


FIG. 3

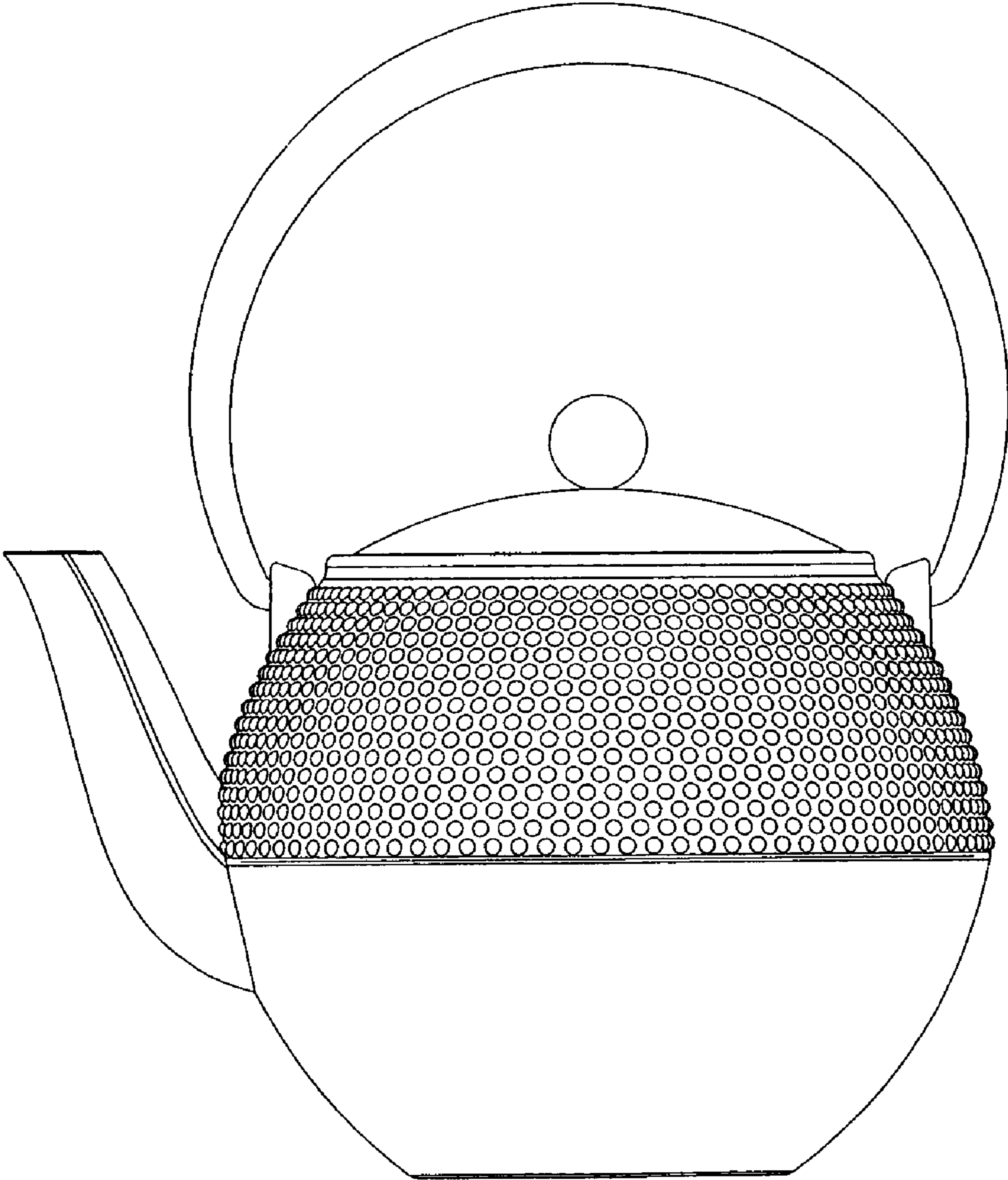


FIG. 4

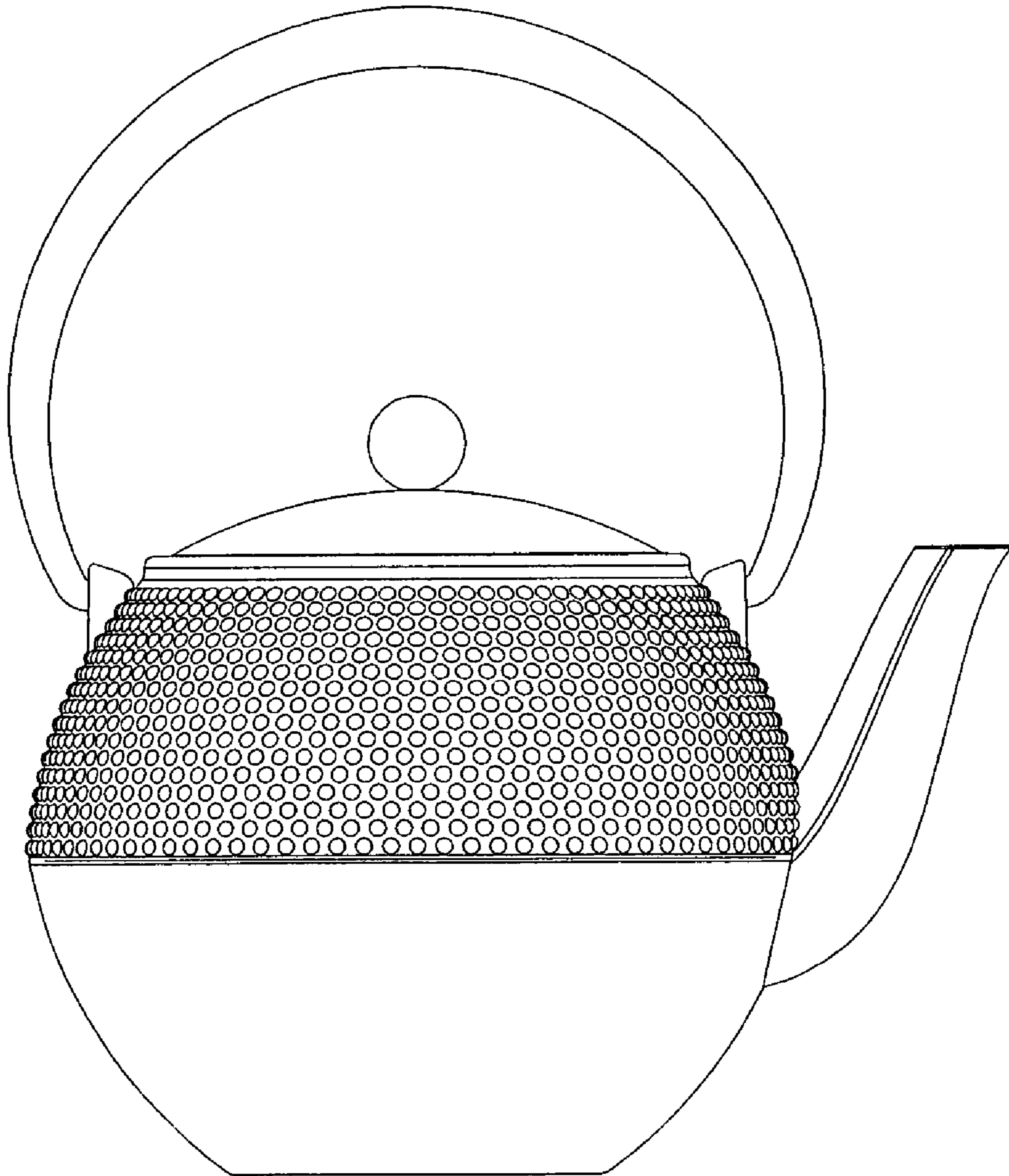


FIG. 5

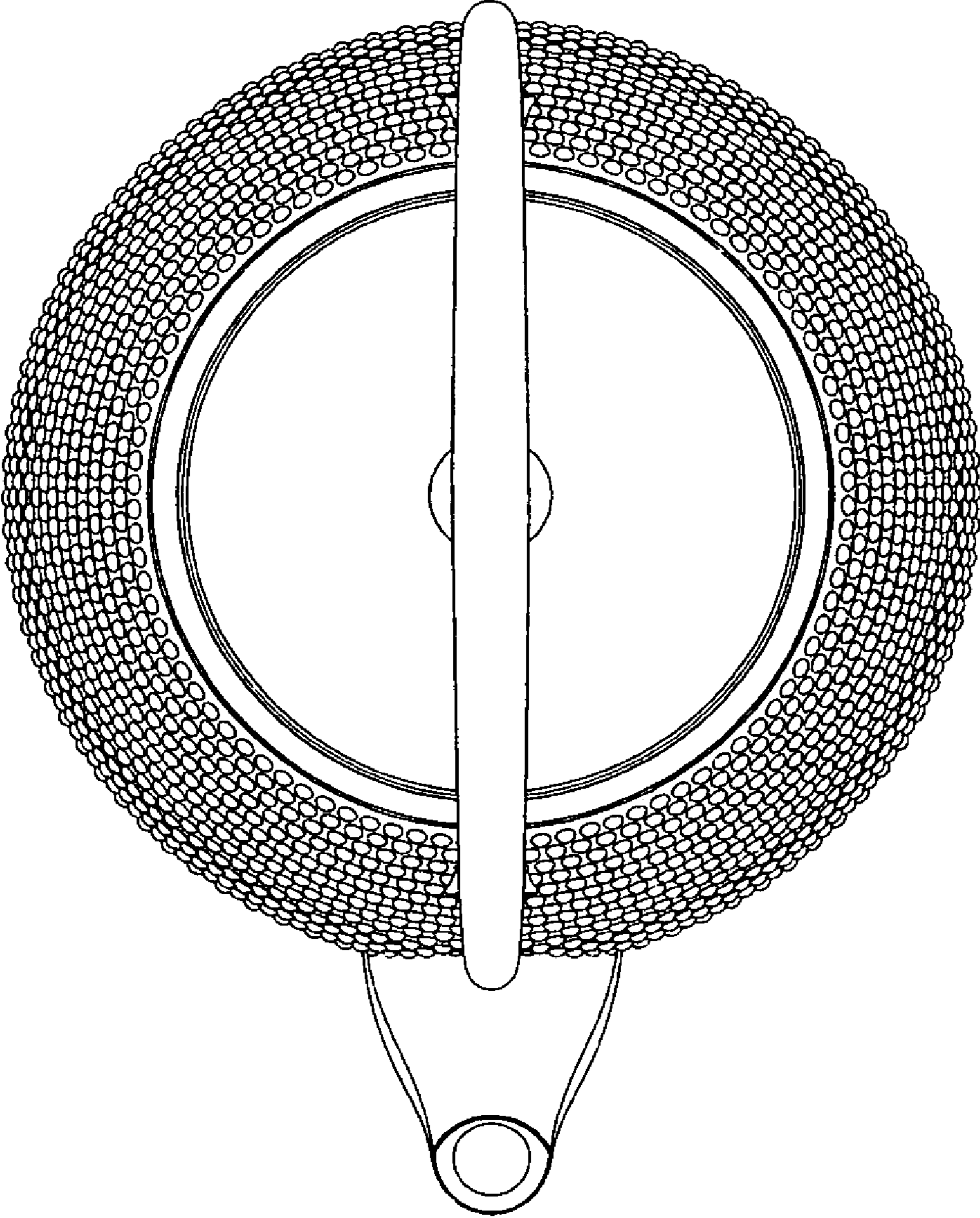


FIG. 6

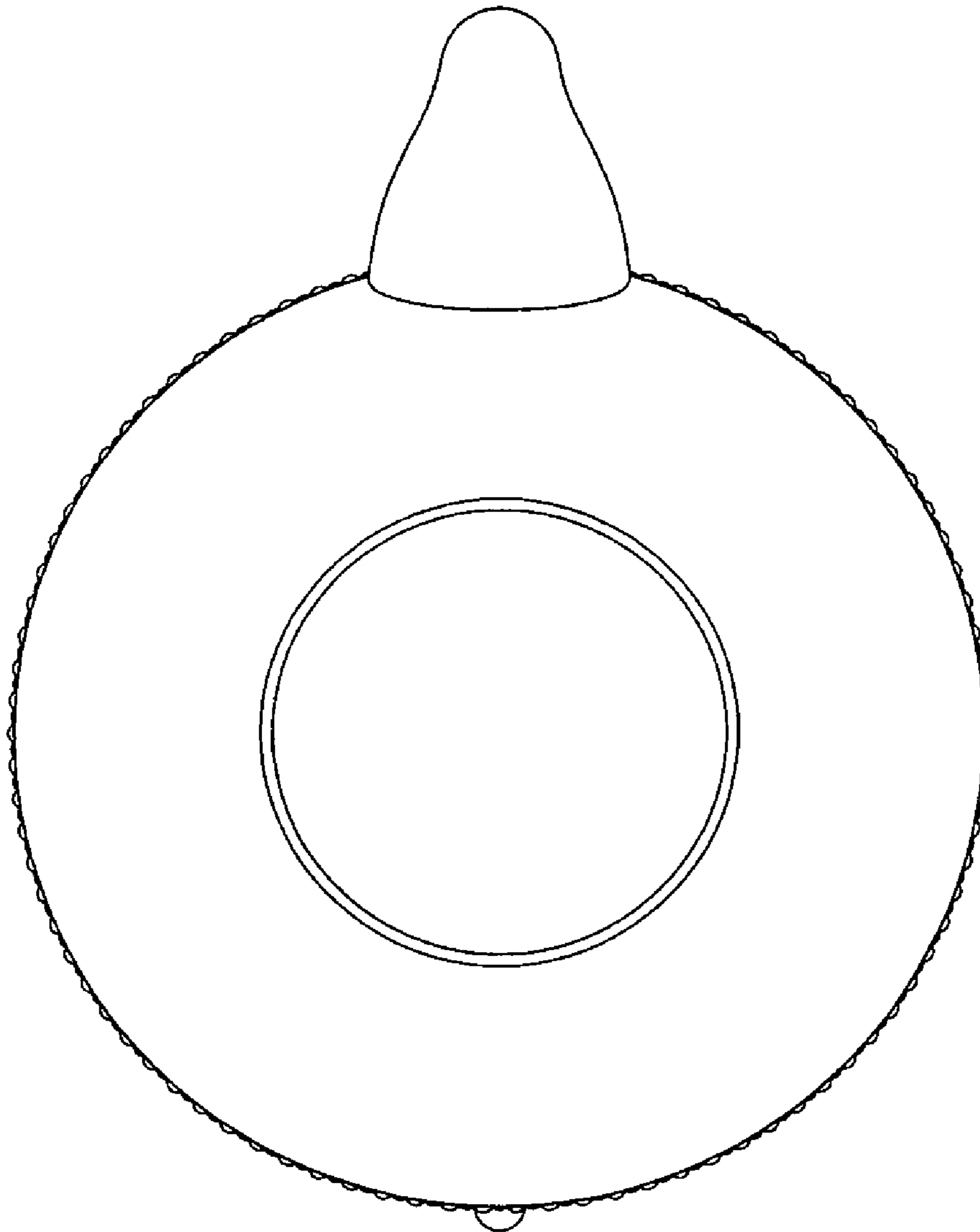


FIG. 7