



US00D566454S

(12) **United States Design Patent**
Bodum

(10) **Patent No.:** **US D566,454 S**

(45) **Date of Patent:** **** Apr. 15, 2008**

(54) **DOUBLE WALL FRENCH PRESS COFFEE MAKER**

(75) Inventor: **Jorgen Bodum**, St. Niklausen (CH)

(73) Assignee: **Pi-Design AG**, Triengen (CH)

(**) Term: **14 Years**

(21) Appl. No.: **29/250,934**

(22) Filed: **Dec. 6, 2006**

(30) **Foreign Application Priority Data**

Jun. 6, 2006 (DK) DA 2006 00148

(51) **LOC (8) Cl.** **07-01**

(52) **U.S. Cl.** **D7/319; D7/317**

(58) **Field of Classification Search** D7/300,
D7/316-319, 312, 533, 536; 99/297, 319;
222/146.1

See application file for complete search history.

(56) **References Cited**

U.S. PATENT DOCUMENTS

- D372,627 S * 8/1996 Ireland D7/319
- D377,132 S * 1/1997 J.o slashed.rgensen D7/318
- D386,040 S * 11/1997 Joergensen D7/317
- D388,275 S * 12/1997 Joergensen D7/319
- D401,466 S * 11/1998 Joergensen D7/318
- D405,641 S * 2/1999 Brady D7/319
- D413,480 S * 9/1999 Joergensen D7/317

- D448,603 S * 10/2001 Yeh D7/319
- D449,957 S * 11/2001 Yeh D7/319
- D458,074 S * 6/2002 Bodum D7/319
- D500,626 S * 1/2005 Ranzoni D7/317
- D511,644 S * 11/2005 Dilollo et al. D7/392
- D542,078 S * 5/2007 Bodum D7/319

* cited by examiner

Primary Examiner—Marianne Pandozzi

(74) *Attorney, Agent, or Firm*—Cowan, Liebowitz & Latman, PC

(57) **CLAIM**

The ornamental design for a double wall French press coffee maker, as shown and described.

DESCRIPTION

FIG. 1 is a perspective view of a double wall French press coffee maker, showing my new design;

FIG. 2 is a front view thereof;

FIG. 3 is a back view thereof;

FIG. 4 is a right side view thereof;

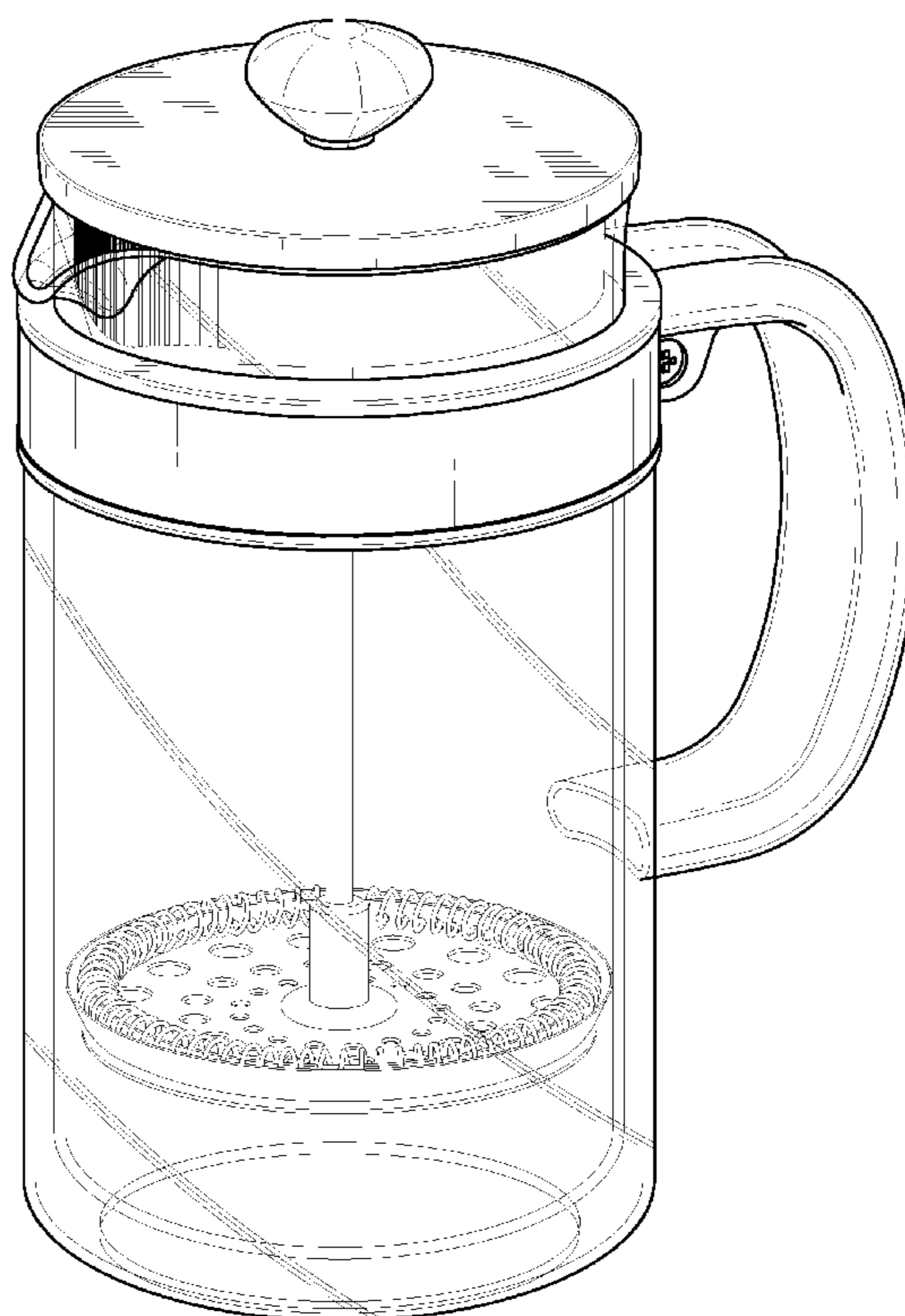
FIG. 5 is a left side view thereof;

FIG. 6 is a top view thereof;

FIG. 7 is a bottom view thereof; and,

FIG. 8 is a sectional view taken along line 8—8 of FIG. 6.

1 Claim, 8 Drawing Sheets



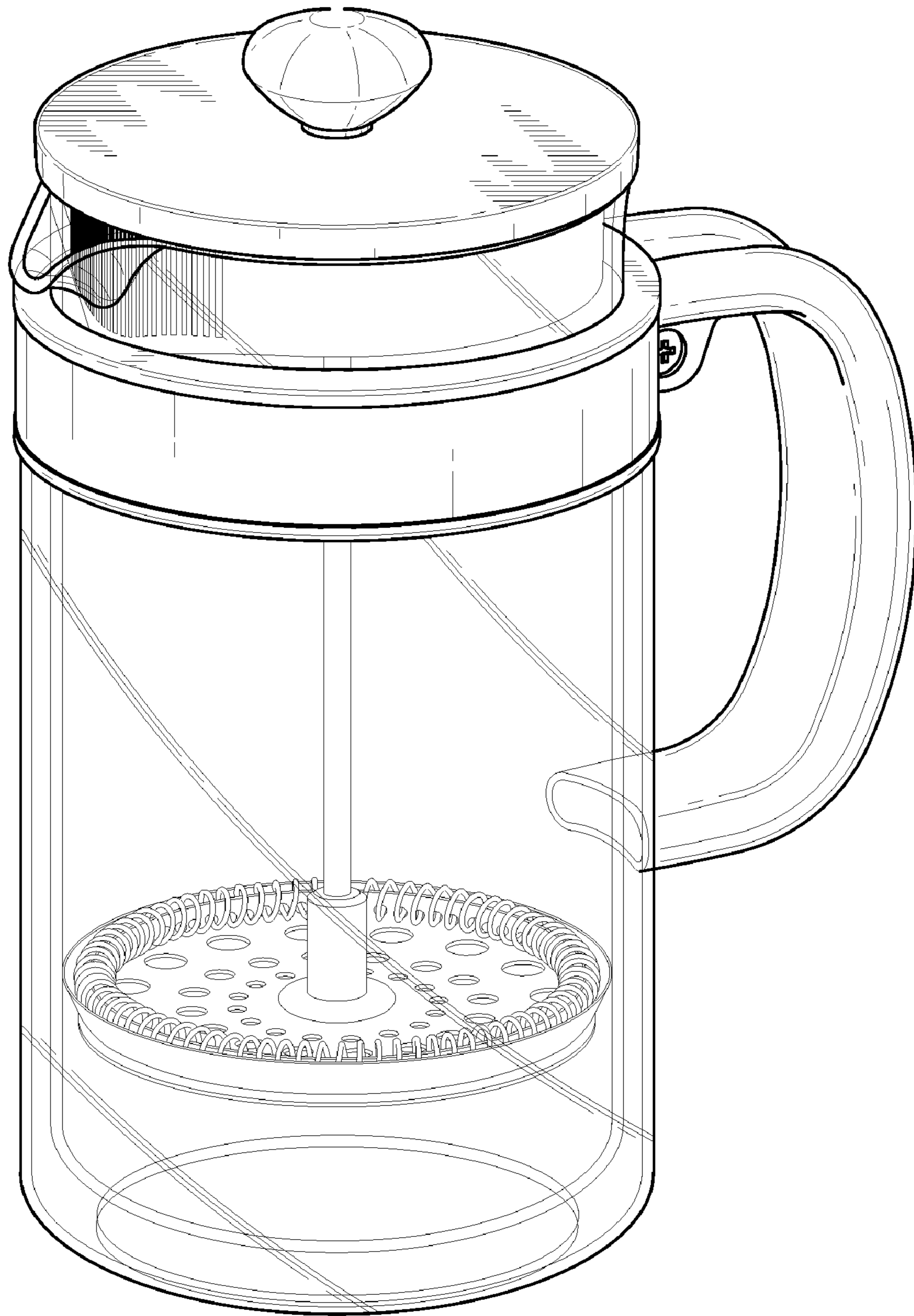


FIG. 1

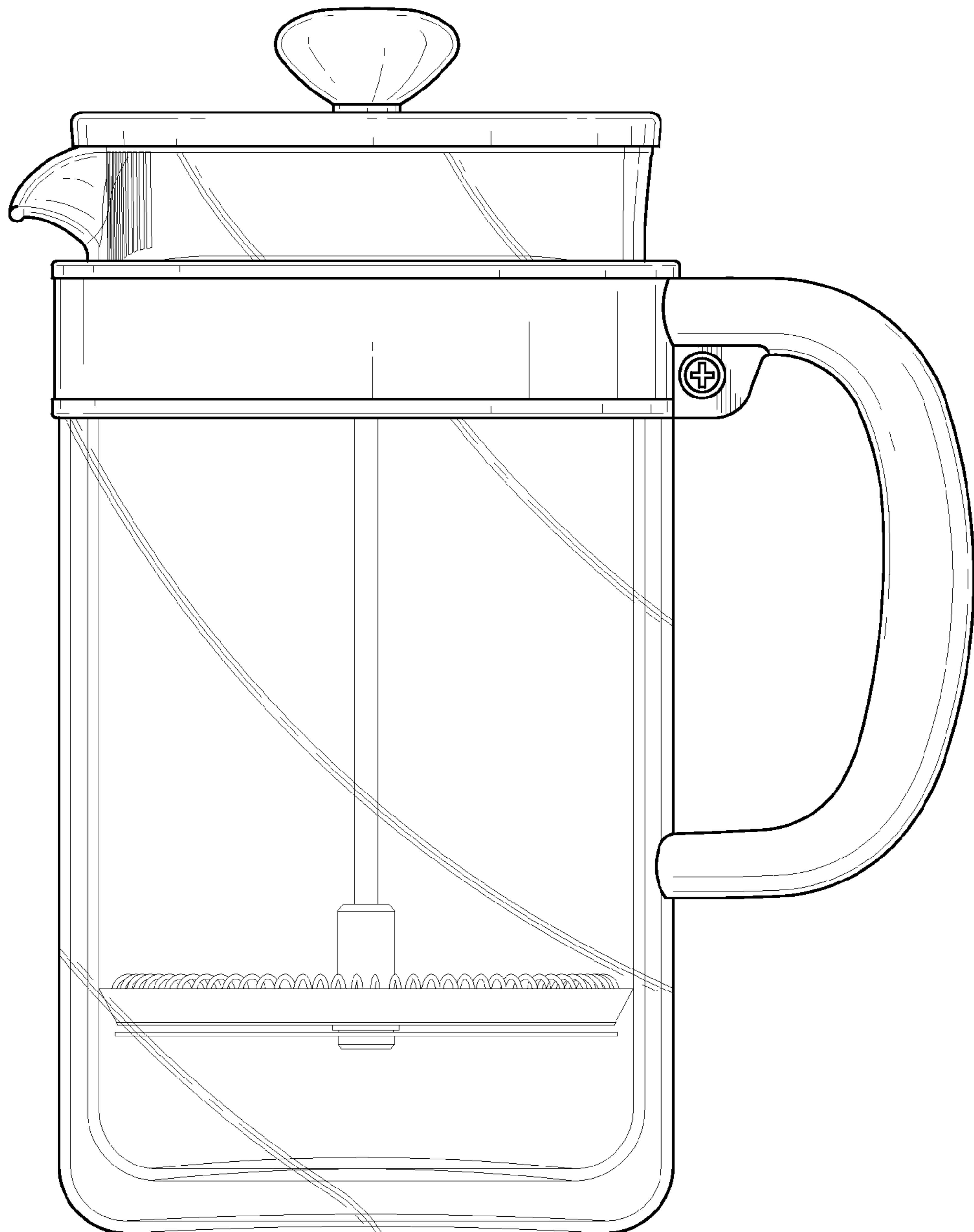


FIG. 2

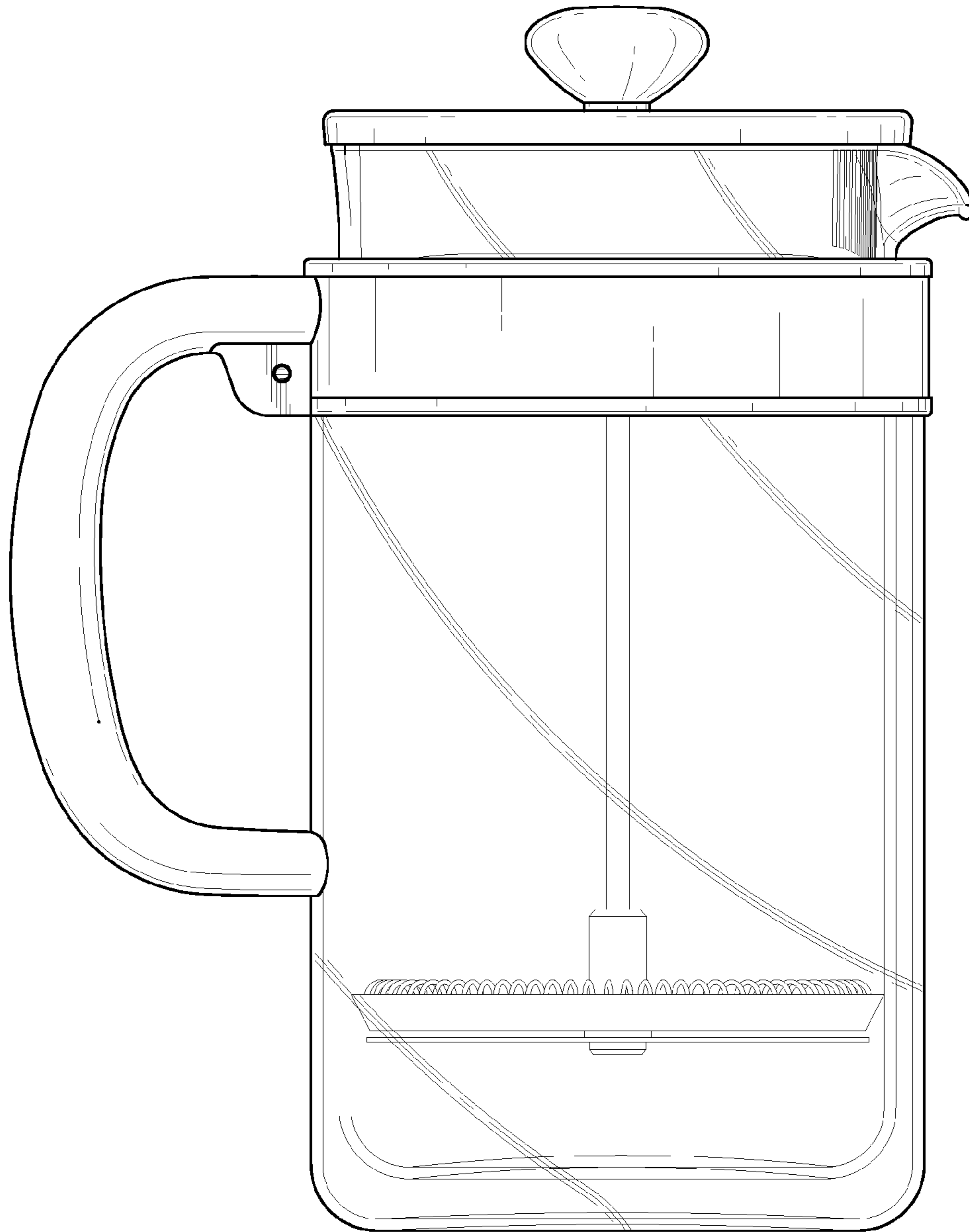


FIG. 3

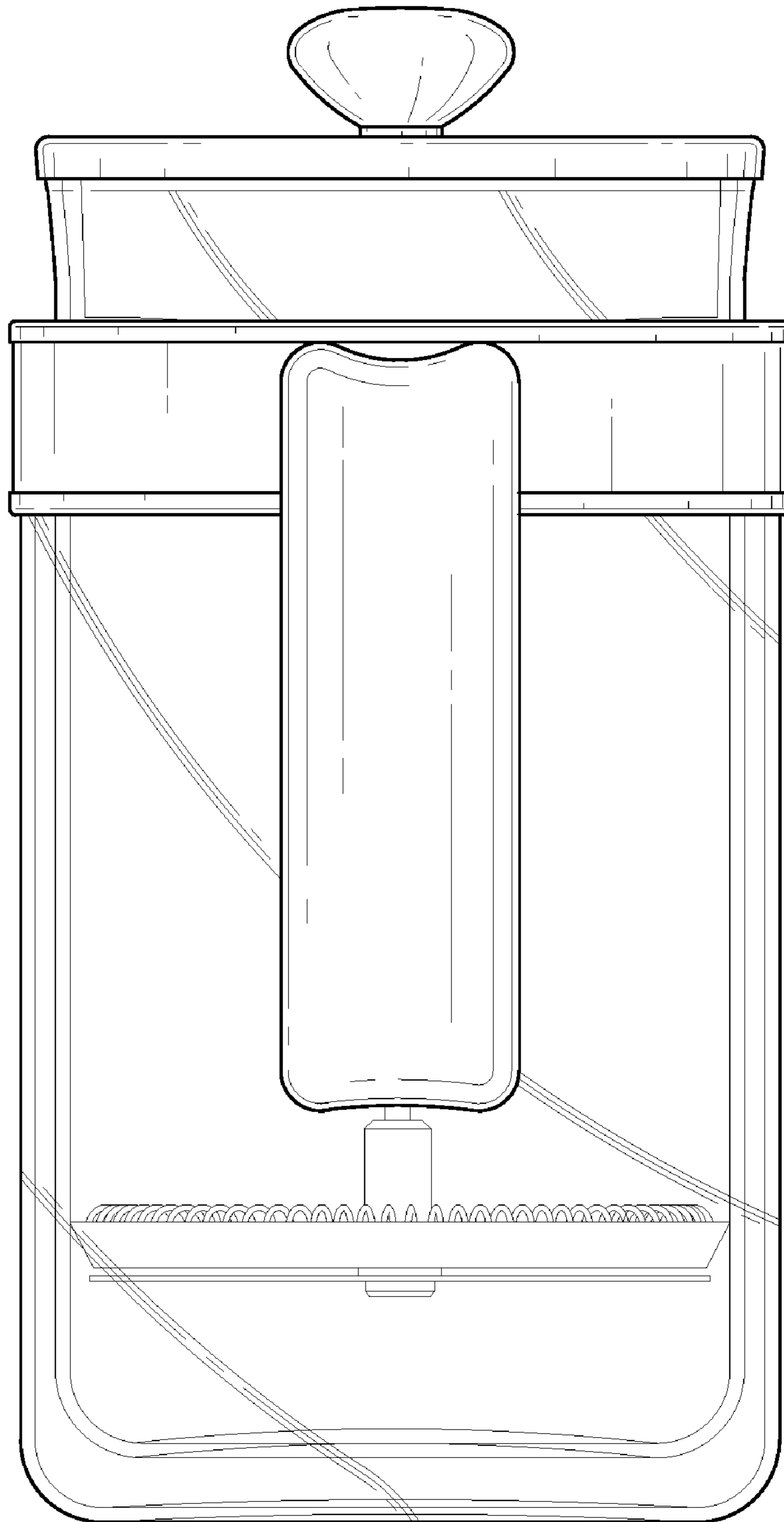


FIG. 4

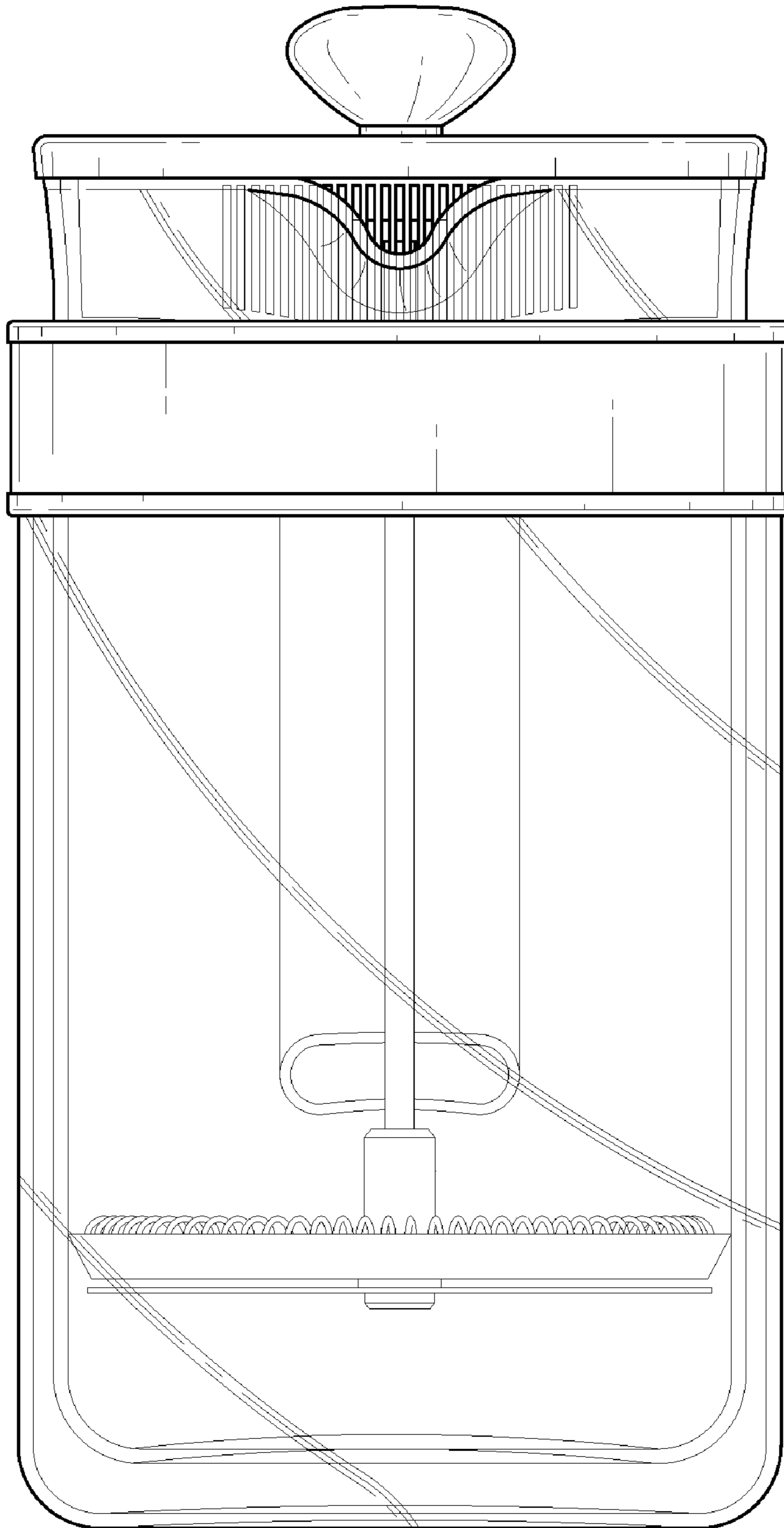


FIG. 5

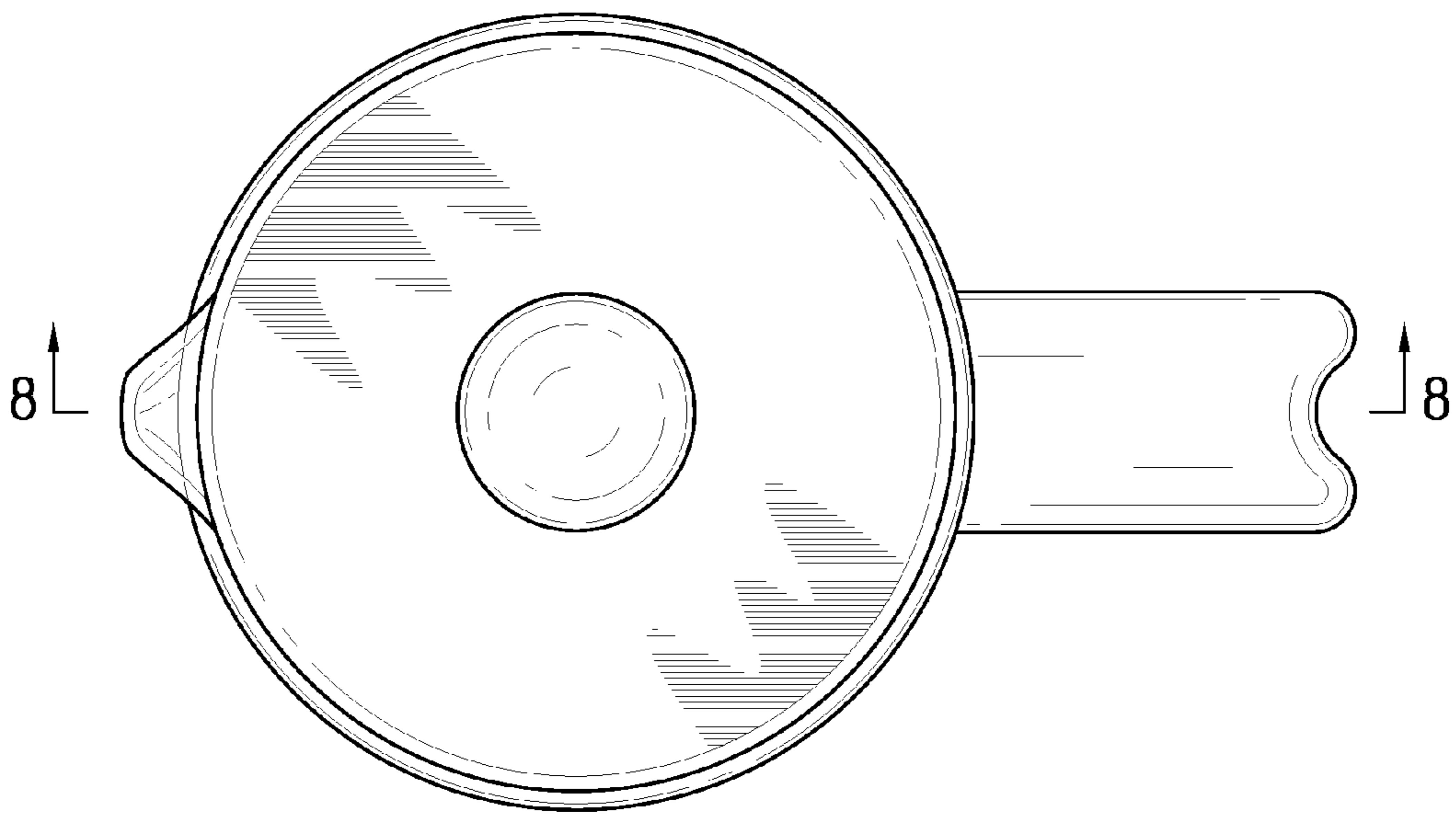


FIG. 6

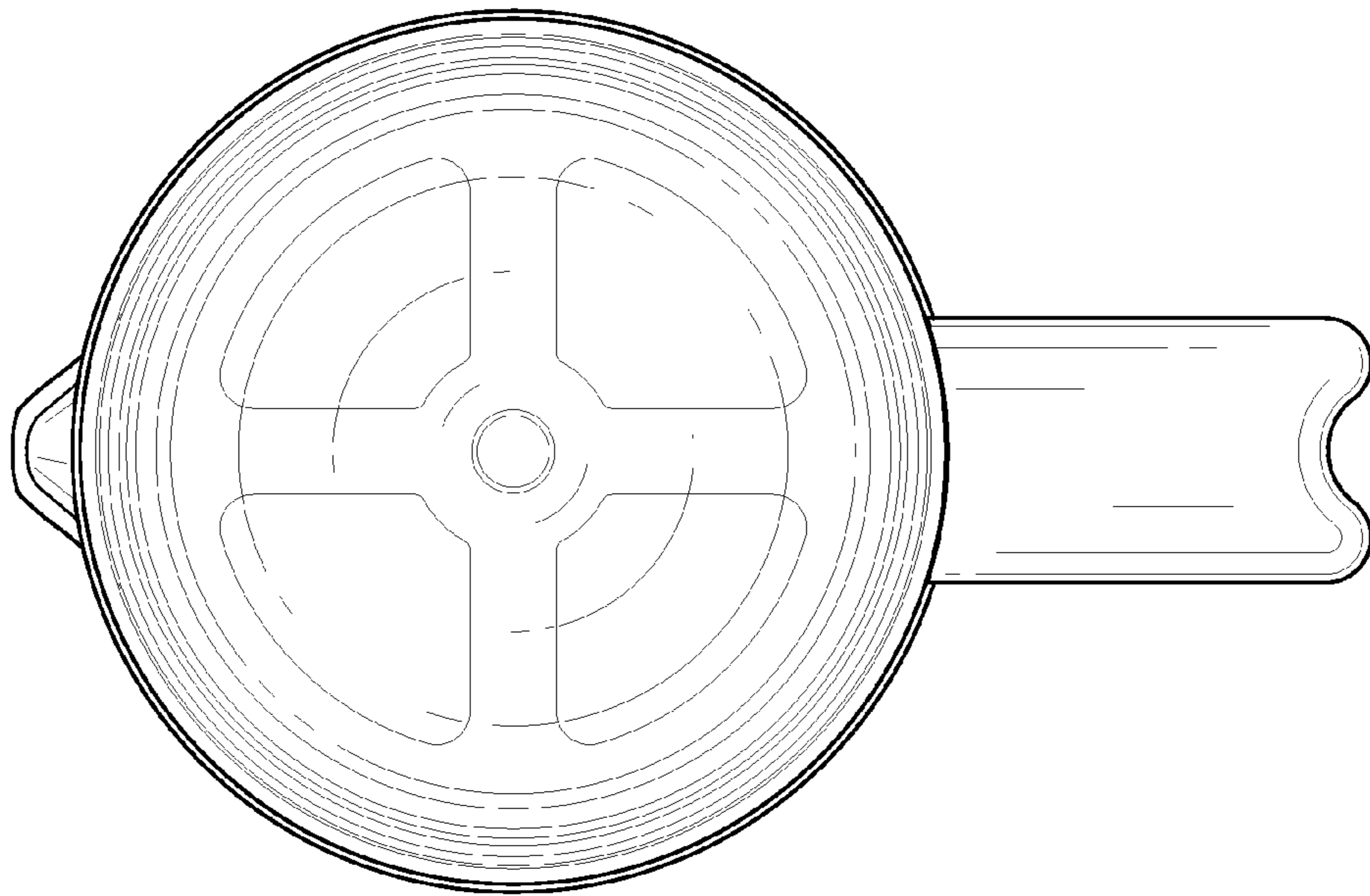


FIG. 7

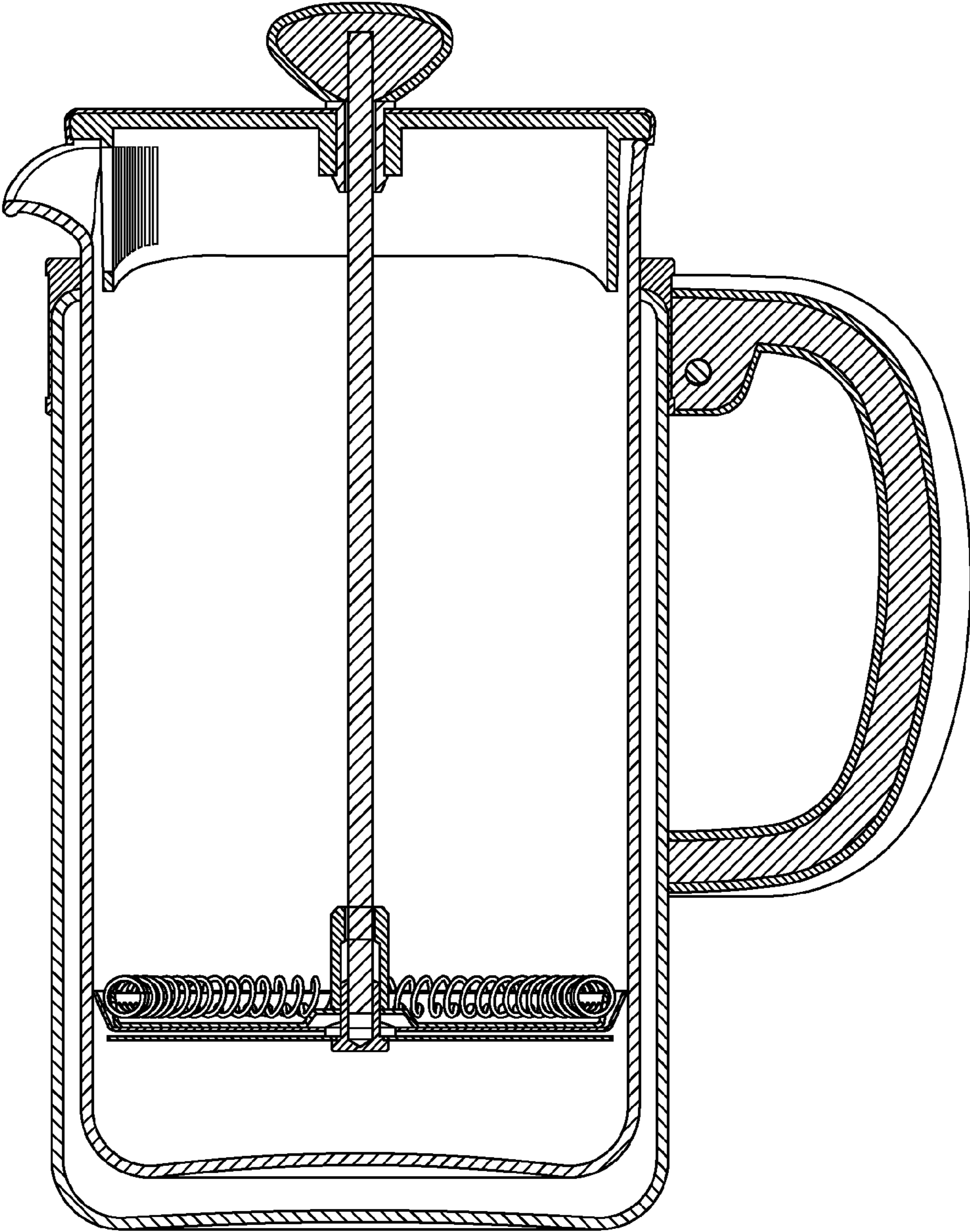


FIG. 8