

US00D566447S

(12) **United States Design Patent**
Hohmann

(10) **Patent No.:** **US D566,447 S**

(45) **Date of Patent:** **** Apr. 15, 2008**

(54) **WINDOW BLIND**

(76) Inventor: **Harry Frank Hohmann**, 1742
Perrysville Ave., Pittsburgh, PA (US)
15212

(**) Term: **14 Years**

(21) Appl. No.: **29/289,080**

(22) Filed: **Jul. 6, 2007**

(51) **LOC (8) Cl.** **06-10**

(52) **U.S. Cl.** **D6/575**

(58) **Field of Classification Search** D6/575,
D6/576, 577, 578, 579, 580, 581, 582, 594,
D6/595; 160/23.1, 90, 98, 133, 267.1, 273.1,
160/290.1, 310; 49/199, 200, 478.1; D5/58,
D5/59; 15/215, 216, 217; 428/78, 88, 198
See application file for complete search history.

(56) **References Cited**

U.S. PATENT DOCUMENTS

D124,546 S *	1/1941	Biva	D6/594
D153,252 S *	4/1949	Biva	D6/594
D214,613 S *	7/1969	Schwartz	D6/594
D335,604 S *	5/1993	Lui et al.	D6/575
D343,323 S *	1/1994	Smith, Sr.	D6/577
D382,754 S *	8/1997	Siegel et al.	D6/575
D414,641 S *	10/1999	Hauck et al.	D6/576
D415,382 S *	10/1999	Walker	D6/576
D415,645 S *	10/1999	Goodwin	D6/576

6,098,698 A *	8/2000	King-Darr	160/290.1
D438,743 S *	3/2001	Trogolo et al.	D6/575
D441,244 S *	5/2001	Jerrell et al.	D6/575
D511,064 S *	11/2005	Crabolu	D6/582
D513,914 S *	1/2006	Crabolu	D6/582
2007/0193697 A1 *	8/2007	Horvath	160/23.1

* cited by examiner

Primary Examiner—T. Chase Nelson

Assistant Examiner—Barbara B Lohr

(57) **CLAIM**

The ornamental design for a window blind, as shown and described.

DESCRIPTION

FIG. 1 is a front elevational view of a window blind showing my new design;

FIG. 2 is a rear elevational view thereof;

FIG. 3 is a side view, taken from the left side of FIG. 1, the right side view being a mirror image thereof;

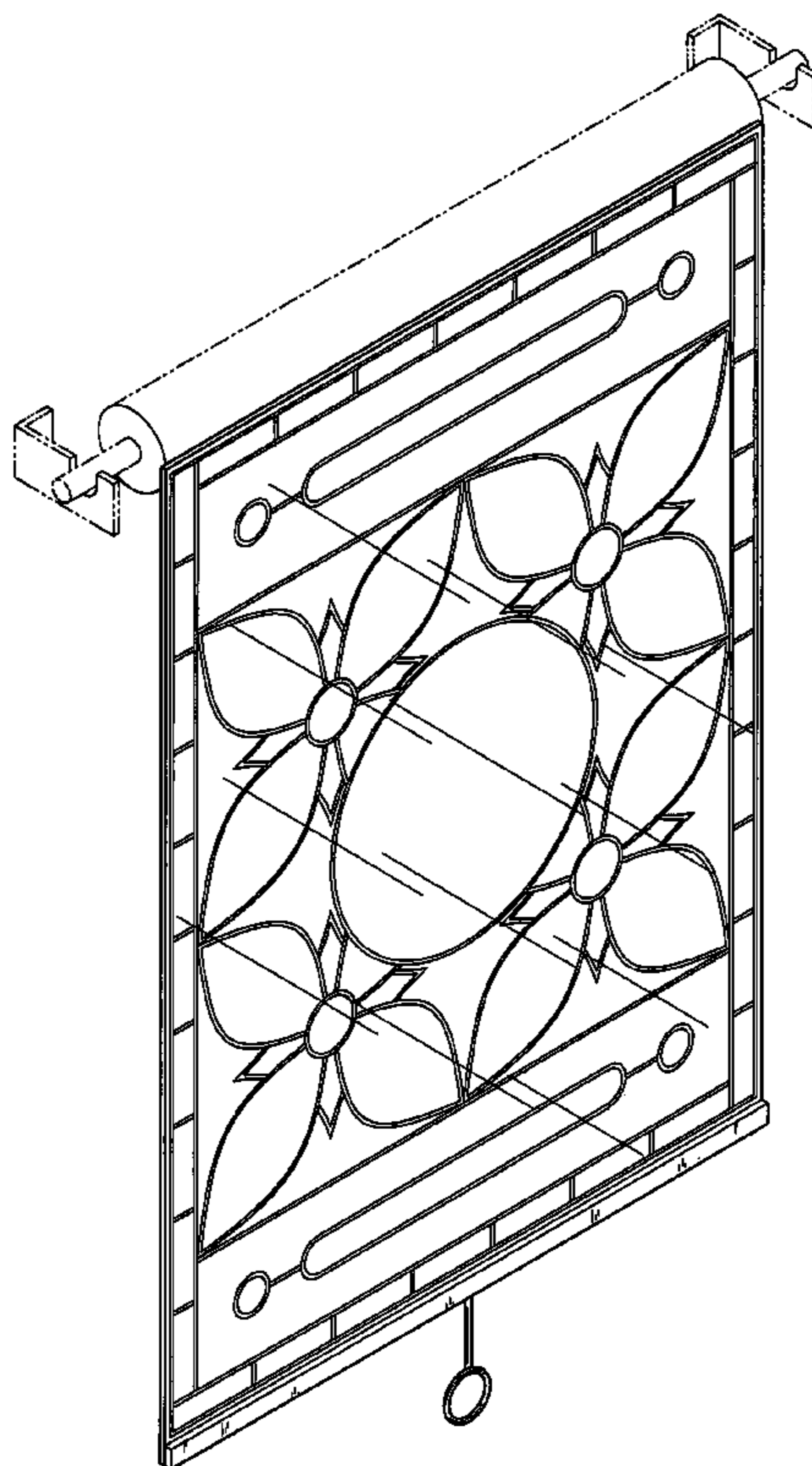
FIG. 4 is a top plan view thereof;

FIG. 5 is a bottom plan view thereof; and,

FIG. 6 is a perspective view thereof.

The dotted lines showing a roller and mounting brackets are for illustrative purposes and form no part of my claimed invention.

1 Claim, 5 Drawing Sheets



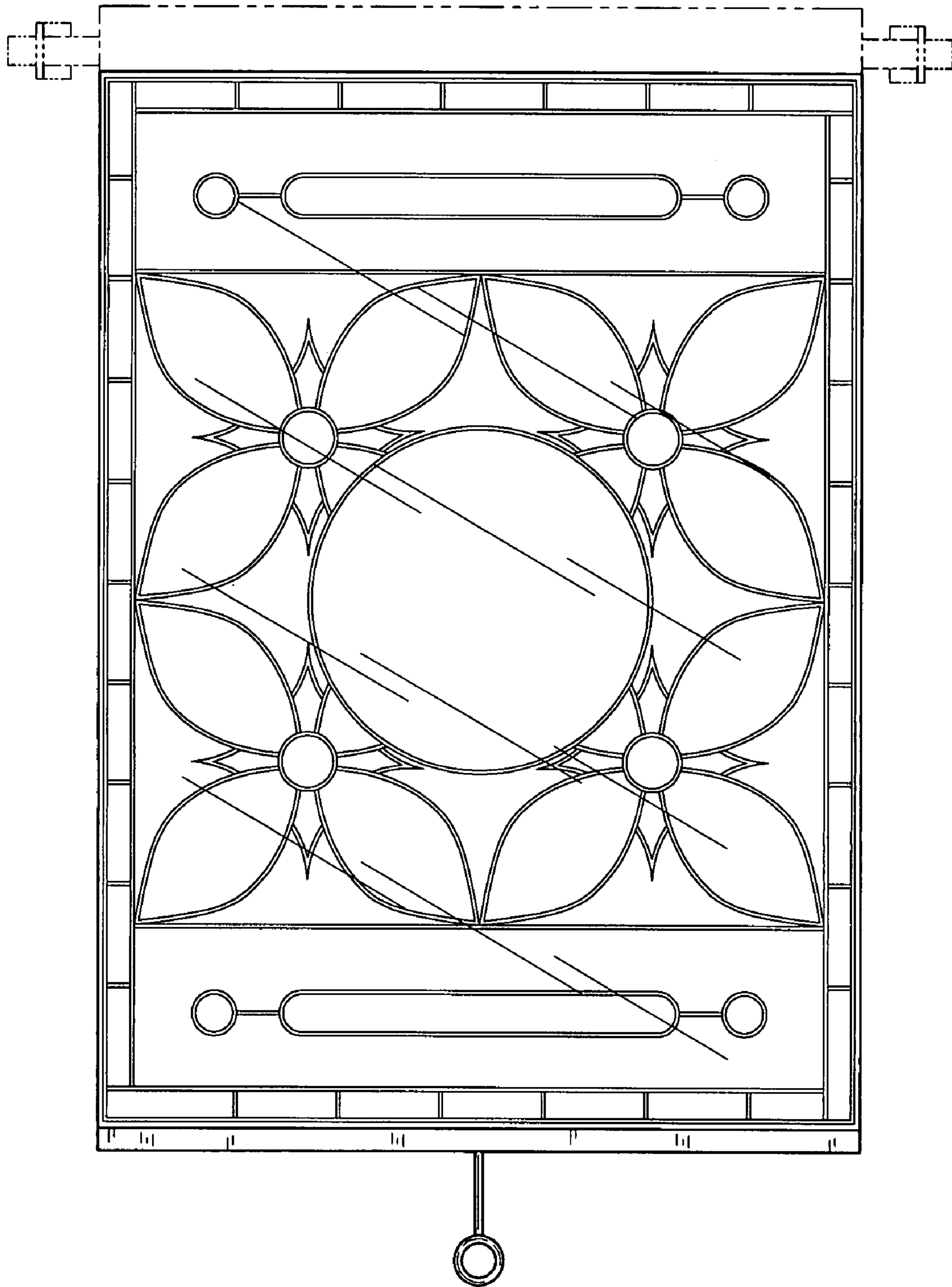


FIG. 1

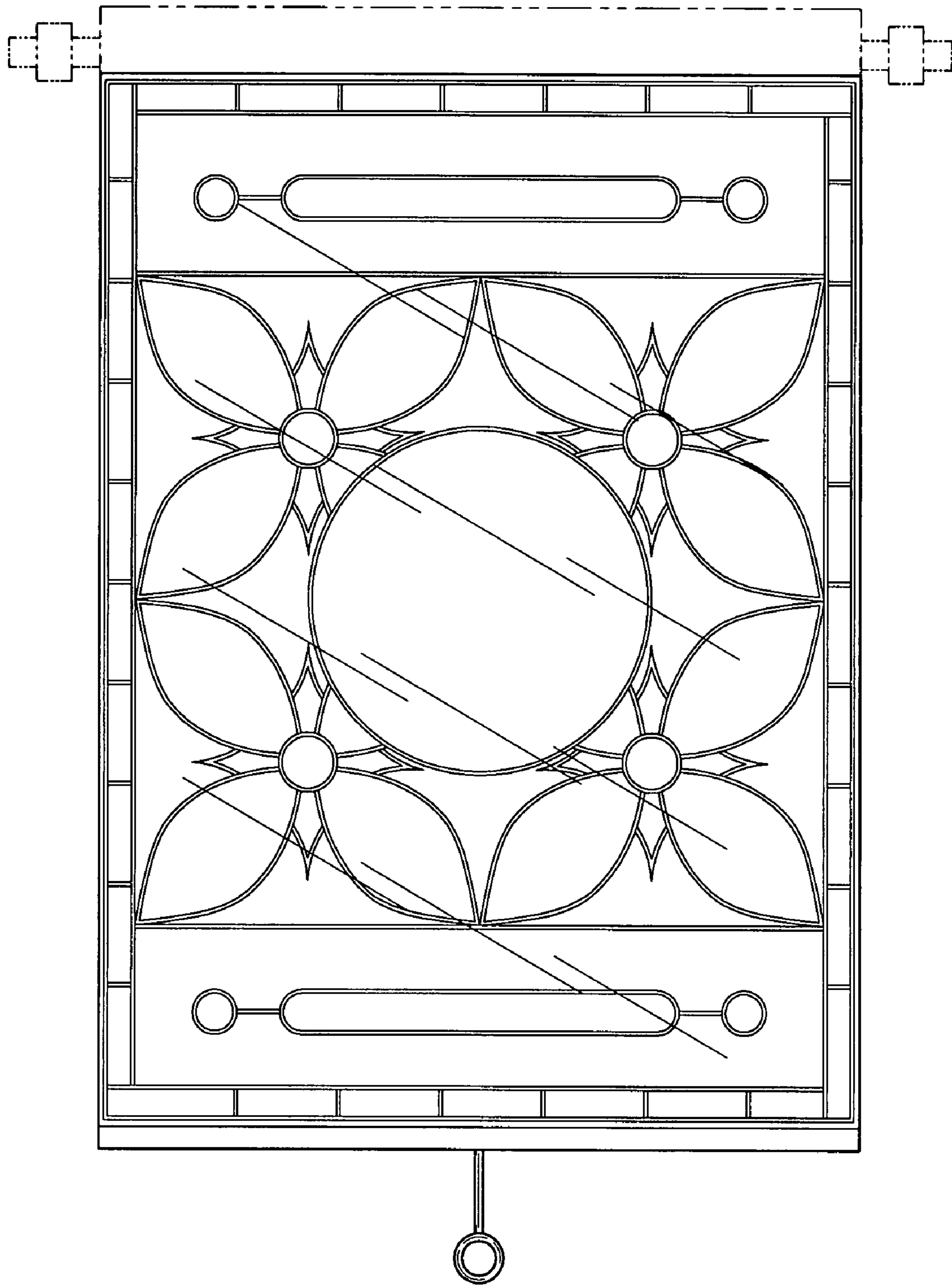


FIG. 2

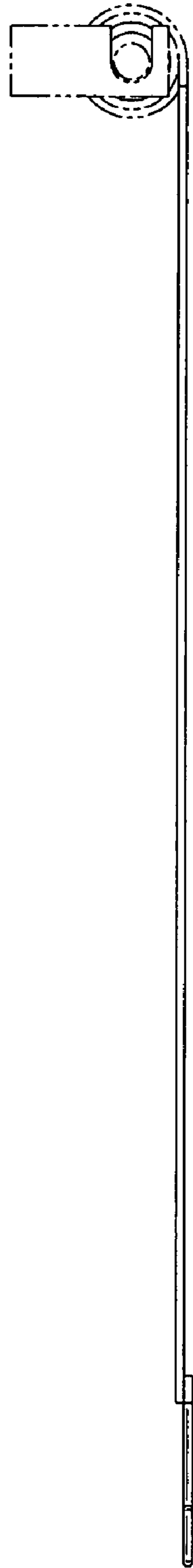


FIG. 3

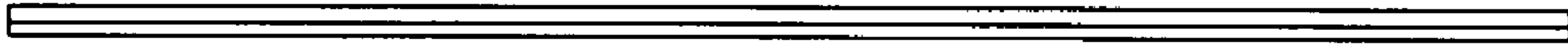


FIG. 4

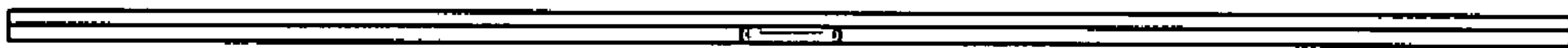


FIG. 5

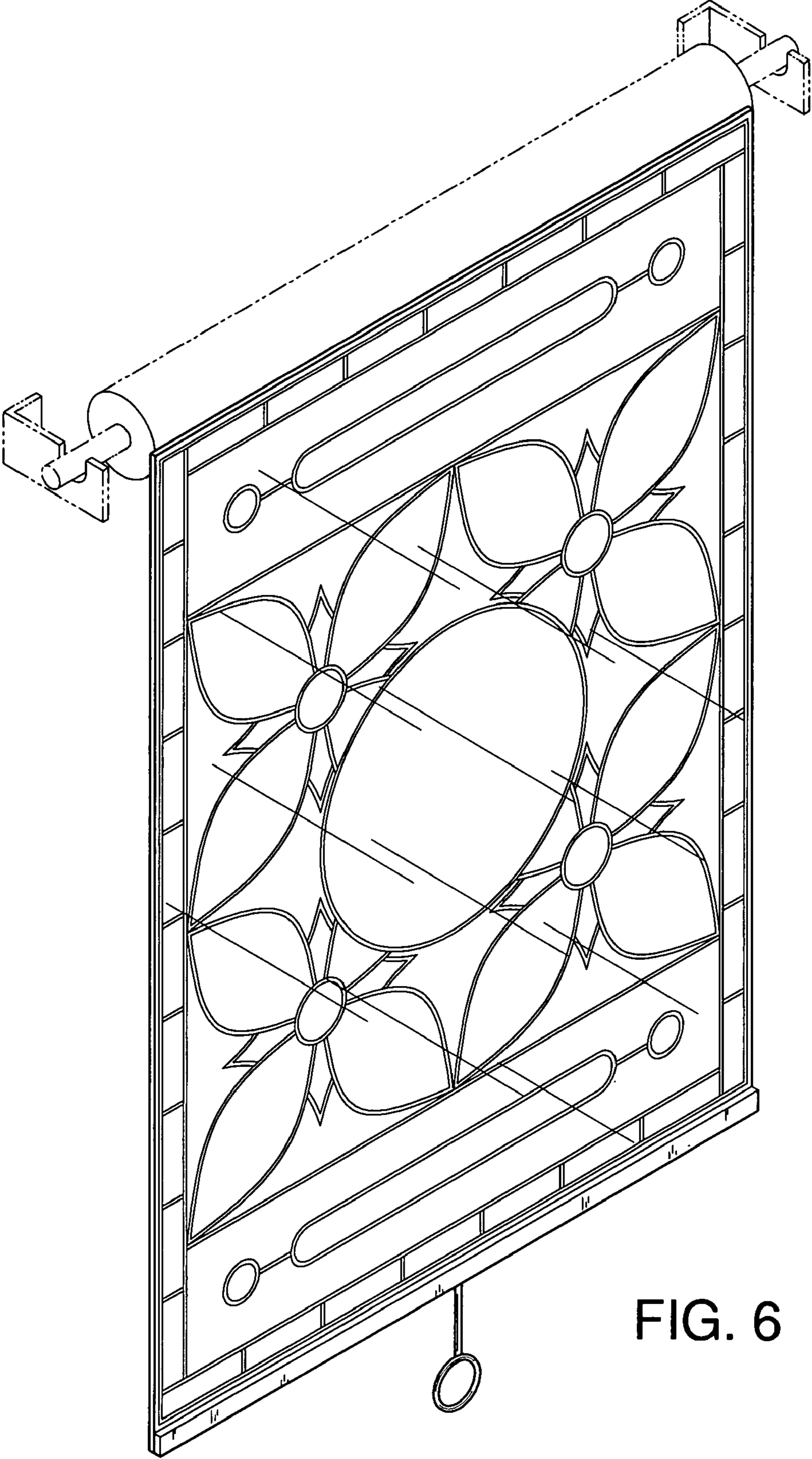


FIG. 6