



US00D566444S

(12) **United States Design Patent**
Grey

(10) **Patent No.:** **US D566,444 S**

(45) **Date of Patent:** **** *Apr. 15, 2008**

(54) **WALL INTERFACE FOR DISPLAY MOUNT**

(75) Inventor: **Dominic Grey**, Blaine, MN (US)

(73) Assignee: **CSAV, Inc.**, Savage, MN (US)

(**) Term: **14 Years**

(21) Appl. No.: **29/277,947**

(22) Filed: **Mar. 14, 2007**

(51) **LOC (8) Cl.** **06-04**

(52) **U.S. Cl.** **D6/553**

(58) **Field of Classification Search** D6/553,
D6/567, 569-571; 40/124.01, 124.2, 124.4,
40/124.5; 206/6.1; 211/13.1, 86.01, 87.01;
248/309.1, 314

See application file for complete search history.

(56) **References Cited**

U.S. PATENT DOCUMENTS

2,400,807	A *	5/1946	Burkhard	211/87.01
2,988,315	A *	6/1961	Saxe	211/87.01
3,602,159	A *	8/1971	Marschak	248/220.41
D320,521	S *	10/1991	Baur	D6/553
5,379,976	A *	1/1995	DeGirolamo	248/220.43
5,751,548	A	5/1998	Hall et al.		
5,842,672	A	12/1998	Sweere et al.		
5,918,841	A	7/1999	Sweere et al.		
5,947,429	A	9/1999	Sweere et al.		
D415,768	S	10/1999	Howell		
6,012,693	A	1/2000	Voeller et al.		
6,015,120	A	1/2000	Sweere et al.		
6,042,068	A	3/2000	Tcherny		
6,068,227	A	5/2000	Morgan et al.		
6,102,348	A	8/2000	O'Neill		
6,126,128	A	10/2000	Costa et al.		
D438,741	S *	3/2001	Murphy	D6/553
D446,414	S *	8/2001	Schafer	D6/553
6,273,382	B1	8/2001	Pemberton		
6,367,756	B1	4/2002	Wang		

6,378,830	B1	4/2002	Lu		
6,394,403	B1	5/2002	Hung		
6,402,109	B1	6/2002	Dittmer		
D460,078	S	7/2002	Li		
6,517,040	B1	2/2003	Wen		
6,530,486	B1 *	3/2003	Batting et al.	211/86.01

(Continued)

OTHER PUBLICATIONS

U.S. Appl. No. 29/261,582 [this application not published] Filing date Jun. 15, 2006; inventor Dominic Grey.

(Continued)

Primary Examiner—Brian N Vinson

(74) *Attorney, Agent, or Firm*—Patterson, Thunte, Skaar & Christensen, PA

(57) **CLAIM**

I claim the ornamental design for wall interface for display mount, as shown.

DESCRIPTION

FIG. 1 is a front perspective view of a wall interface for display mount according to an embodiment of the invention;

FIG. 2 is a front elevation view of the wall interface for display mount of FIG. 1;

FIG. 3 is a rear elevation view of the wall interface for display mount of FIG. 1;

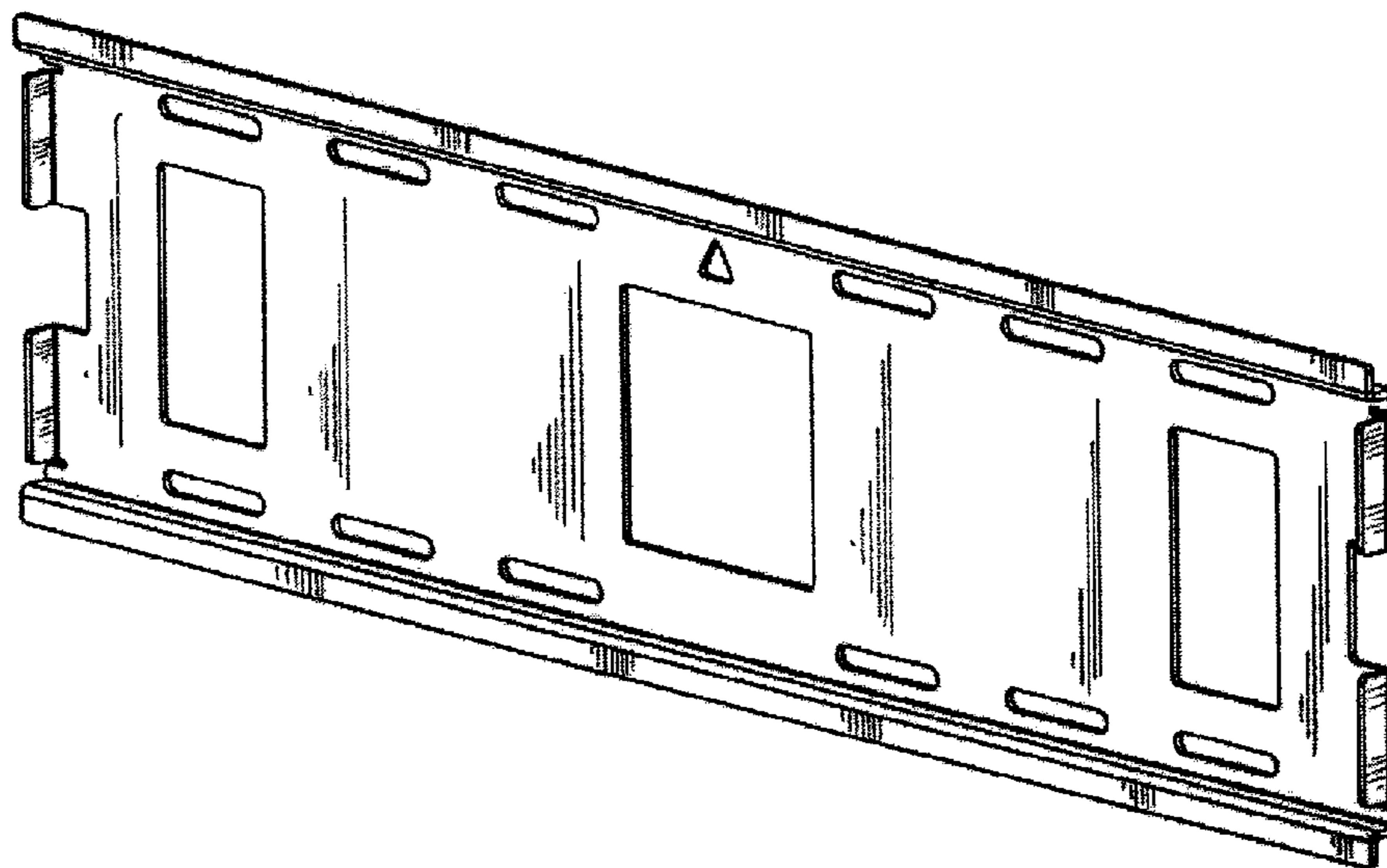
FIG. 4 is a top plan view of the wall interface for display mount of FIG. 1;

FIG. 5 is a bottom plan view of the wall interface for display mount of FIG. 1;

FIG. 6 is a side elevation view of the wall interface for display mount of FIG. 1; and,

FIG. 7 is an opposing side elevation view of the wall interface for display mount of FIG. 1.

1 Claim, 2 Drawing Sheets



U.S. PATENT DOCUMENTS

6,554,238 B1 4/2003 Hibberd
 6,565,056 B2 5/2003 Lin
 D477,606 S 7/2003 Theis et al.
 6,592,090 B1 7/2003 Li
 6,604,722 B1 8/2003 Tan
 6,663,064 B1 12/2003 Minelli et al.
 6,672,553 B1 1/2004 Lin
 D490,697 S 6/2004 Runnalls
 D493,800 S 8/2004 Pfister et al.
 D494,596 S 8/2004 Pfister
 6,923,413 B2 8/2005 Dozier
 D512,254 S * 12/2005 Ottens D6/553
 D517,085 S 3/2006 Deuschle
 D528,901 S 9/2006 David
 D530,595 S 10/2006 Lam et al.
 7,152,836 B2 12/2006 Pfister et al.
 7,178,775 B2 2/2007 Pfister et al.
 D538,140 S 3/2007 Ly Hau et al.
 D538,141 S 3/2007 Stenhouse et al.
 D538,632 S 3/2007 Ly Hau et al.
 D539,125 S 3/2007 Ly Hau et al.
 D539,126 S 3/2007 Stenhouse et al.
 D539,637 S 4/2007 Ly Hau et al.
 D553,483 S 10/2007 Grey
 2002/0011544 A1 1/2002 Bosson
 2002/0084396 A1 7/2002 Weaver
 2003/0075653 A1 4/2003 Li
 2003/0136888 A1 7/2003 Boele
 2003/0154673 A1 8/2003 MacGregor et al.
 2003/0201372 A1 10/2003 Dozier
 2003/0227739 A1 12/2003 Kim et al.
 2004/0011932 A1 1/2004 Duff

2004/0011938 A1 1/2004 Oddsen, Jr.

OTHER PUBLICATIONS

Mounts by PDR, Panel Display Pivot Mount Instruction Manual, Revised Nov. 2003, 5 pgs.
 Plasma TV Wall Mount Installation Manual, Revised Nov. 2003, 11 pgs.
 PEERLESS, SmartMount For 32" to 50" Plasma and LCD Flat Panel Screens, © 2006 Peerless Industries, Inc., 2 pgs.
 PEERLESS, SmartMount For 61" to 102" Plasma and LCD Flat Panel Screens, © 2006 Peerless Industries, Inc., 2 pgs.
 PEERLESS, SmartMount For 42" to 71" Plasma and LCD Flat Panel Screens, © 2006 Peerless Industries, Inc., 2 pgs.
 PEERLESS, SmartMount For 32" to 60" Plasma and LCD Flat Panel Screens, © 2006 Peerless Industries, Inc., 2 pgs.
 PEERLESS, SmartMount For 23" to 46" Plasma and LCD Flat Panel Screens, © 2006 Peerless Industries, Inc., 2 pgs.
 PEERLESS, SmartMount For 61" to 102" Plasma and LCD Flat Panel Screens, © 2006 Peerless Industries, Inc., 2 pgs.
 PEERLESS, SmartMount For 42" to 71" Plasma and LCD Flat Panel Screens, © 2006 Peerless Industries, Inc., 2 pgs.
 PEERLESS, SmartMount For 32" to 60" Plasma and LCD Flat Panel Screens, © 2006 Peerless Industries, Inc., 2 pgs.
 PEERLESS, SmartMount For 23" to 46" Plasma and LCD Flat Panel Screens, © 2006 Peerless Industries, Inc., 2 pgs.
 PEERLESS, SmartMount For 22" to 49" Installation Manual, Issued Mar. 31, 2005, 8 pgs.
 ViewSonic Mount, 1 page, circa 2005, 1 pg.
 Hitachi Mount, 1 page, circa 2005, 1 pg.
 Chief Manufacturing, Inc., Presentation Support Solutions, Full-Line Product Guide, Effective Apr. 2002, 66 pgs.

* cited by examiner

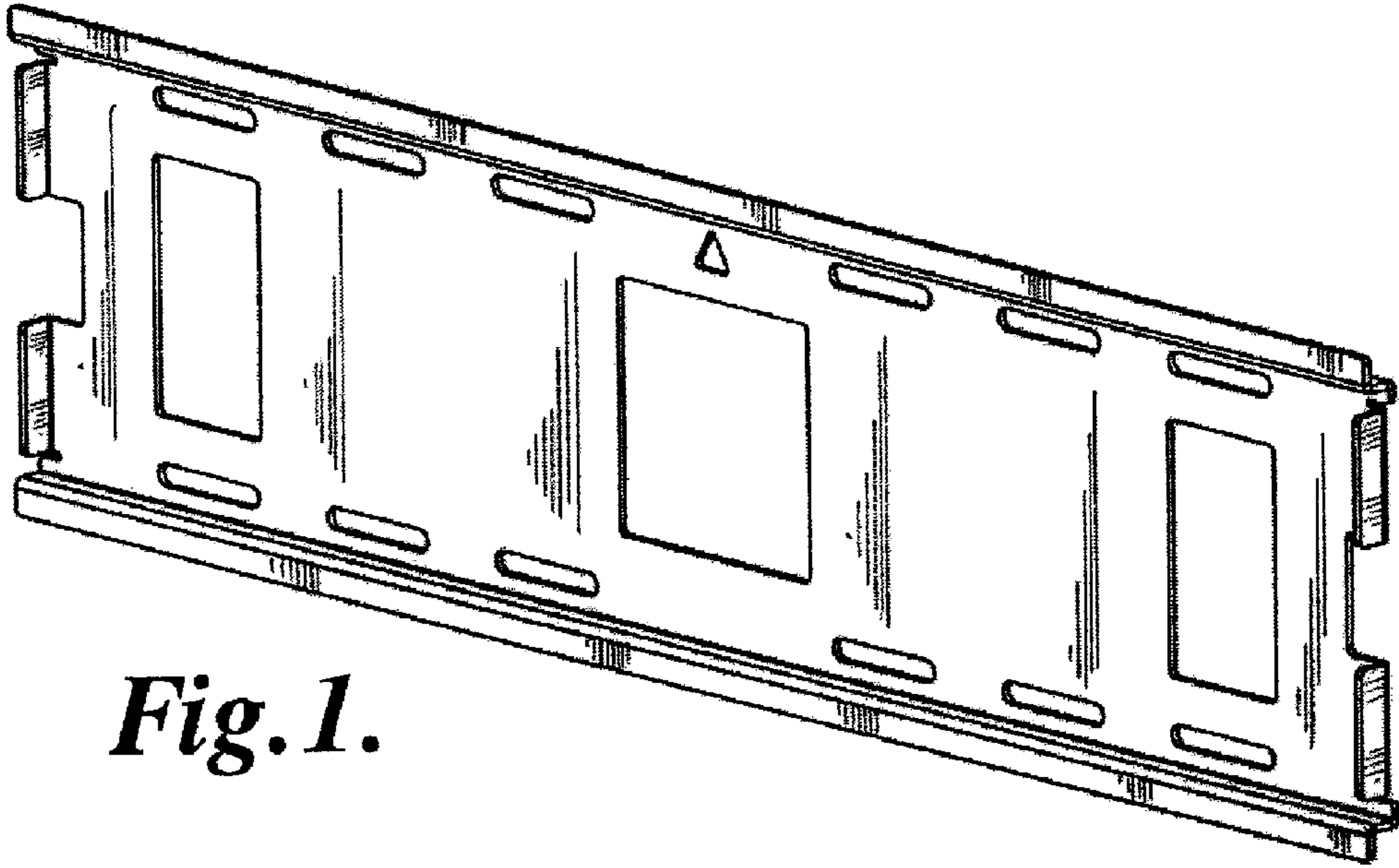


Fig. 1.

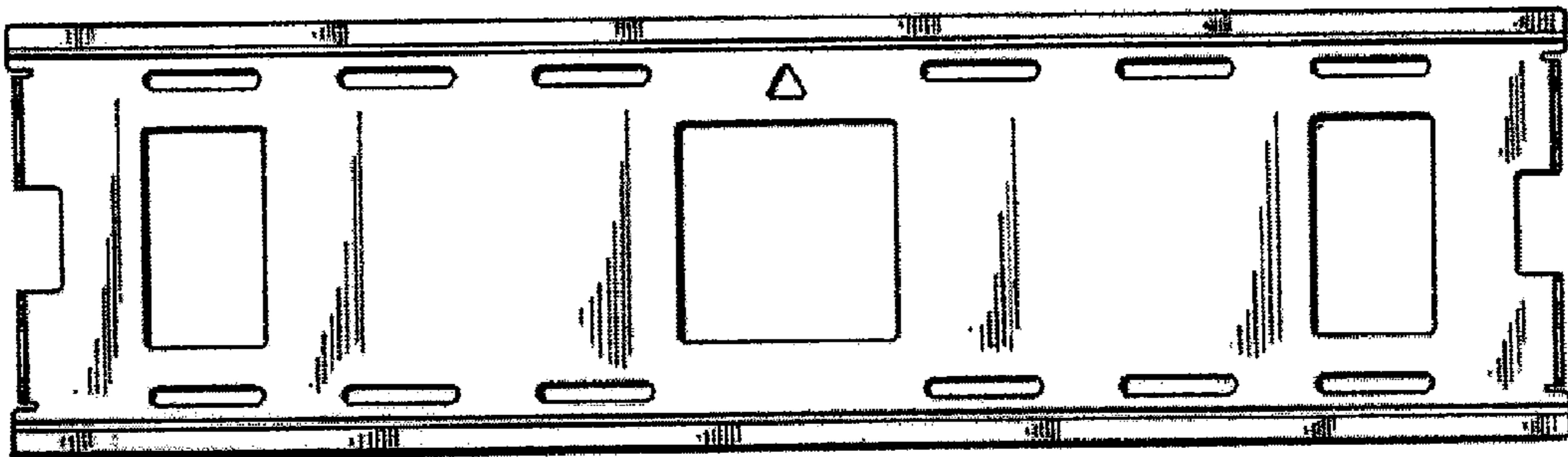


Fig. 2.

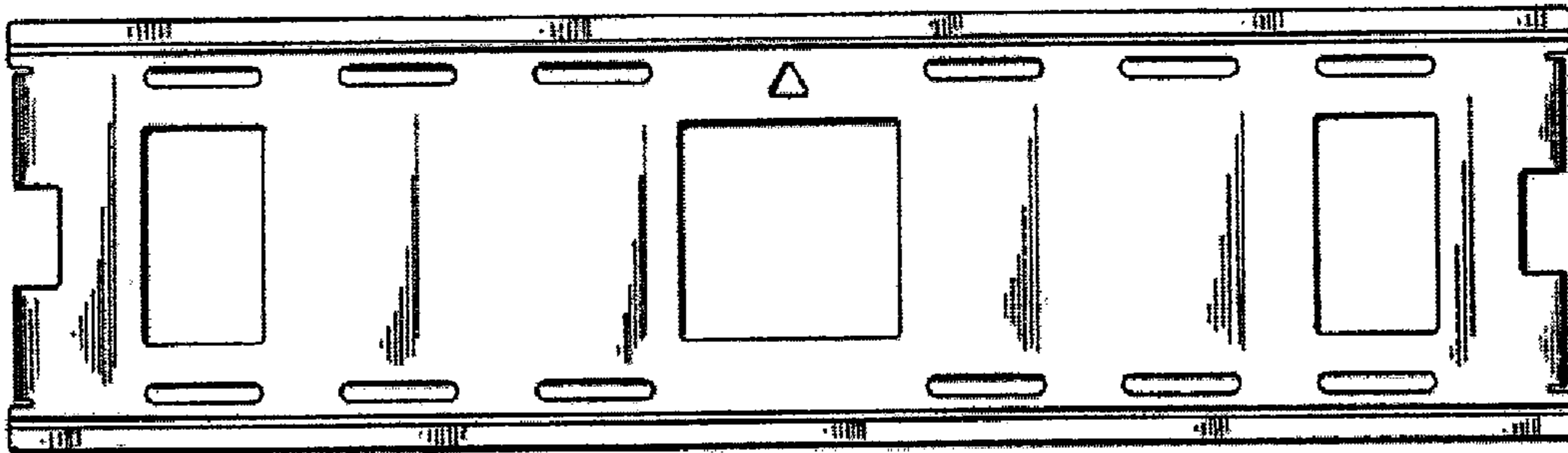


Fig. 3.

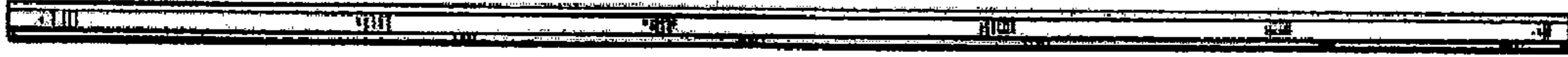


Fig. 4.

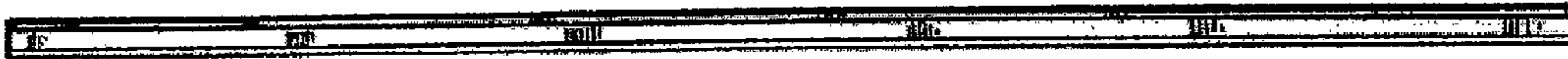


Fig. 5.



Fig. 6.



Fig. 7.