



US00D566442S

(12) **United States Design Patent**
Rubin

(10) **Patent No.:** **US D566,442 S**

(45) **Date of Patent:** **** Apr. 15, 2008**

(54) **WALL MOUNTABLE SUPPORT**

D508,356 S 8/2005 Gilbert
D530,556 S 10/2006 Berberet
D536,203 S 2/2007 Berberet

(75) Inventor: **Leila Michelle Rubin**, Sheboygan, WI
(US)

OTHER PUBLICATIONS

(73) Assignee: **Kohler Co.**, Kohler, WI (US)

Kohler Co. "IV Georges Brass towel ring". Model No. K-6817-C. Kohler Co. online catalog. Copyright 2006 Kohler Co.
Moen. "Waterhill towel ring". Model No. YB9886CH. Moen Incorporated online catalog. Copyright 2005 Moen Incorporated.
DesignerPlumbing.com. "SONIA90 toilet paper holder". DesignerPlumbing.com online catalog.
Kohler Co. "Portrait toilet tissue holder". Model No. K-10485. Kohler Co. online catalog. Copyright 2006 Kohler Co.
Moen. "Kingsley paper holder". Model No. YB5408CH. Moen Incorporated online catalog. Copyright 2005 Moen Incorporated.
DesignerPlumbing.com. "SONIA135". DesignerPlumbing.com online catalog.

(**) Term: **14 Years**

(21) Appl. No.: **29/296,369**

(22) Filed: **Oct. 18, 2007**

Related U.S. Application Data

(63) Continuation of application No. 29/249,542, filed on Oct. 11, 2006, now Pat. No. Des. 555,959.

(Continued)

(51) **LOC (8) Cl.** **23-02**

(52) **U.S. Cl.** **D6/527**

(58) **Field of Classification Search** D6/524-540;
206/77.1, 557, 562-563; 211/13.1, 61.1,
211/70.6, 70.7, 71, 74-75; 248/309.1

See application file for complete search history.

Primary Examiner—Brian N Vinson

(74) *Attorney, Agent, or Firm*—Quarles & Brady LLP

(56) **References Cited**

(57) **CLAIM**

The ornamental design for a wall mountable support, as shown and described.

U.S. PATENT DOCUMENTS

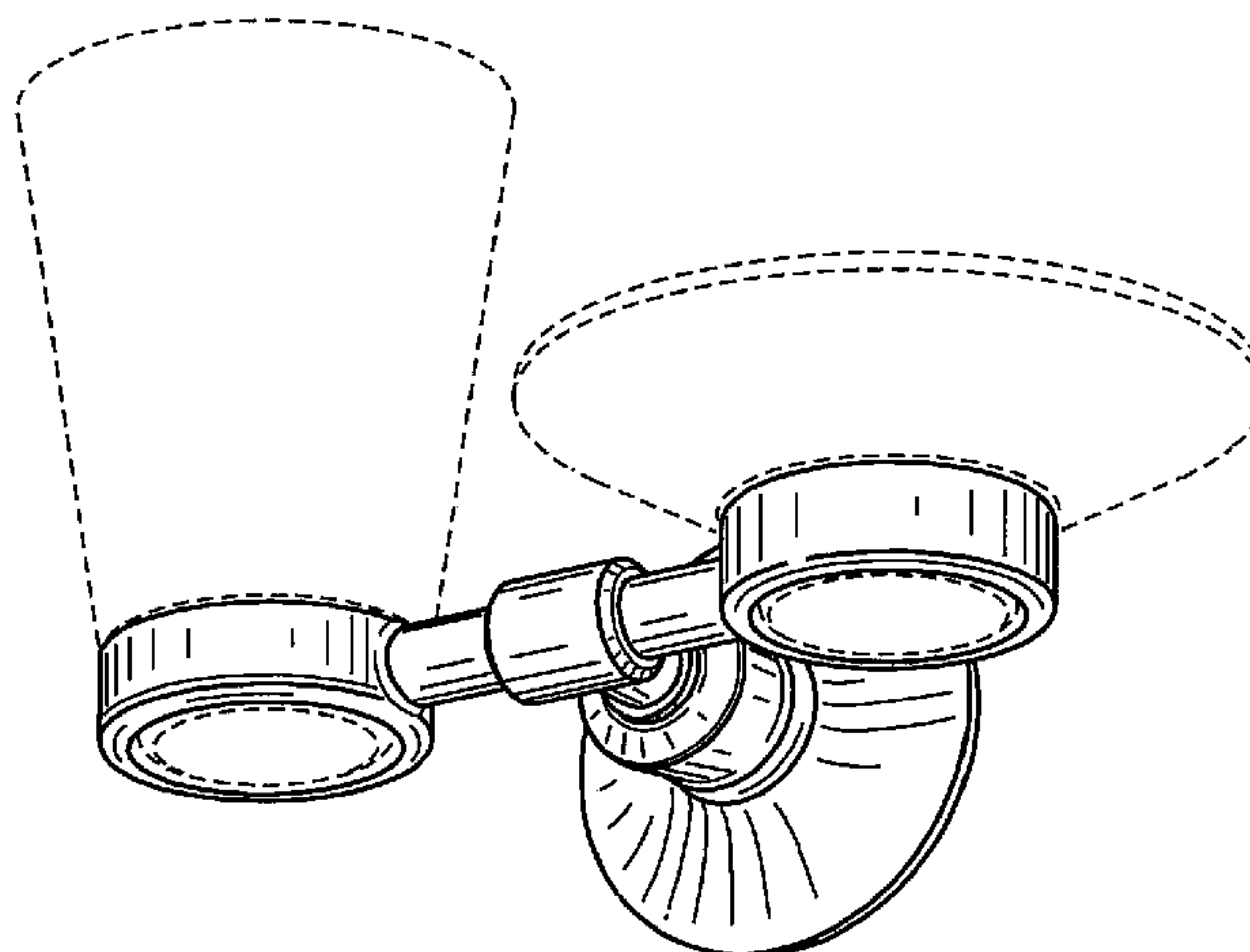
DESCRIPTION

- D329,562 S * 9/1992 McKeone et al. D6/527
- D332,543 S * 1/1993 Crook et al. D6/540
- D385,735 S 11/1997 Hundley et al.
- D386,343 S 11/1997 Moore
- D393,166 S 4/1998 Sharpe
- D394,972 S 6/1998 Moore et al.
- D396,586 S * 8/1998 Warshawsky D6/527
- D400,381 S 11/1998 Solowiej et al.
- D409,029 S 5/1999 Harris
- D409,867 S 5/1999 Sweetman
- D417,352 S * 12/1999 Hampshire D6/527
- D417,989 S 12/1999 Moore et al.
- D422,824 S 4/2000 Moore et al.
- D425,348 S 5/2000 Chen
- D431,139 S 9/2000 Chen
- D437,717 S 2/2001 Solowiej
- D455,307 S 4/2002 Hoernig
- D463,937 S 10/2002 Lee Wang
- D478,757 S 8/2003 Hoernig

In a preferred embodiment, the nature of this product is a wall mountable support, such as a soap dish and cup holder. FIG. 1 is a right, bottom, front perspective view of a wall mountable support according to my new design; FIG. 2 is a front elevational view thereof; FIG. 3 is a right side elevational view thereof; FIG. 4 is a left side elevational view thereof; FIG. 5 is a top plan view thereof; FIG. 6 is a bottom plan view thereof; and, FIG. 7 is a rear elevational view thereof.

The broken line representations, such as the cup and dish environment, in the figures are for the purpose of illustration only, and form no part of the claimed design.

1 Claim, 4 Drawing Sheets



OTHER PUBLICATIONS

Kohler Co. "Forte with Sculpted Design". Model No. K-11280-CP.
Kohler Co. "The Bold Look of Kohler" catalog. Copyright 2004
Kohler Co.
Kohler Co. "Forte with Sculpted Design". Model No. K-11281-CP.
Kohler Co. "The Bold Look of Kohler" catalog. Copyright 2004
Kohler Co.
Plumbworld.co.uk. "Planet Frosted Glass Tumbler and Holder".
Model No. PWRH00306. Plumbworld online catalog. Copyright
Plumbworld.co.uk Limited or its licensors.

AquaBrass Decorative Hardware and Bath Accessories Counter Top
Soap Dish and Tumbler Holder. Model No. AQA-15223. Myknobs.
com online catalog. Copyright 1998-2006 MyKnobs.com.
Kohler Co. "Fairfax" soap dish and tumbler holder. Model Nos.
K-12162-CP and K-12161-CP. Kohler Co. "The Bold Look of
Kohler" catalog. Copyright 2004 Kohler Co.
Moen. "Waterhill towel bar". Model No. YB9824CH. Moen Incor-
porated online catalog. Copyright 2005 Moen Incorporated.
Kohler Co. "Bancroft 18" towel bar". Model No. K-11410. Kohler
Co. online catalog. Copyright 2006 Kohler Co.

* cited by examiner

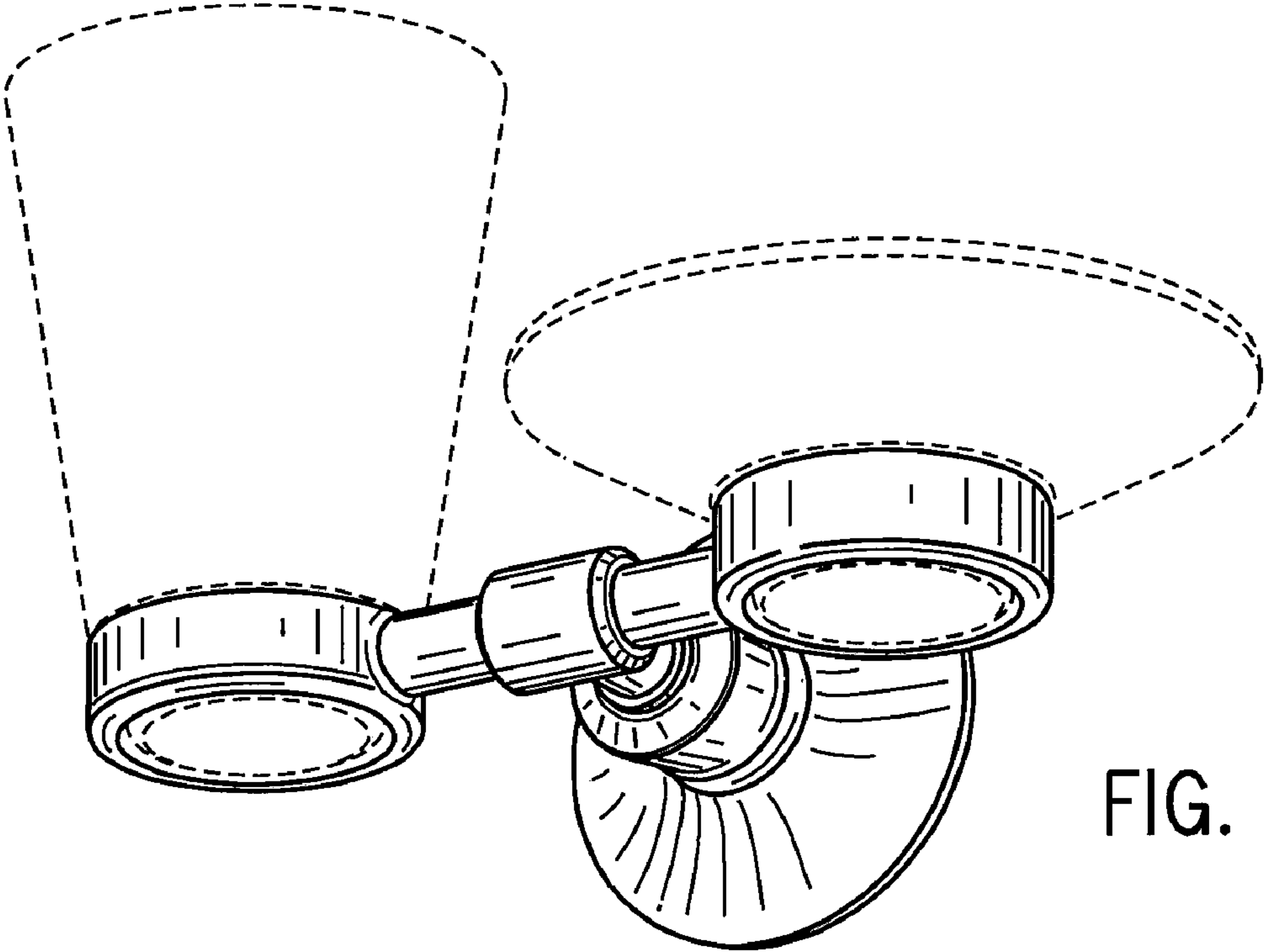


FIG. 1

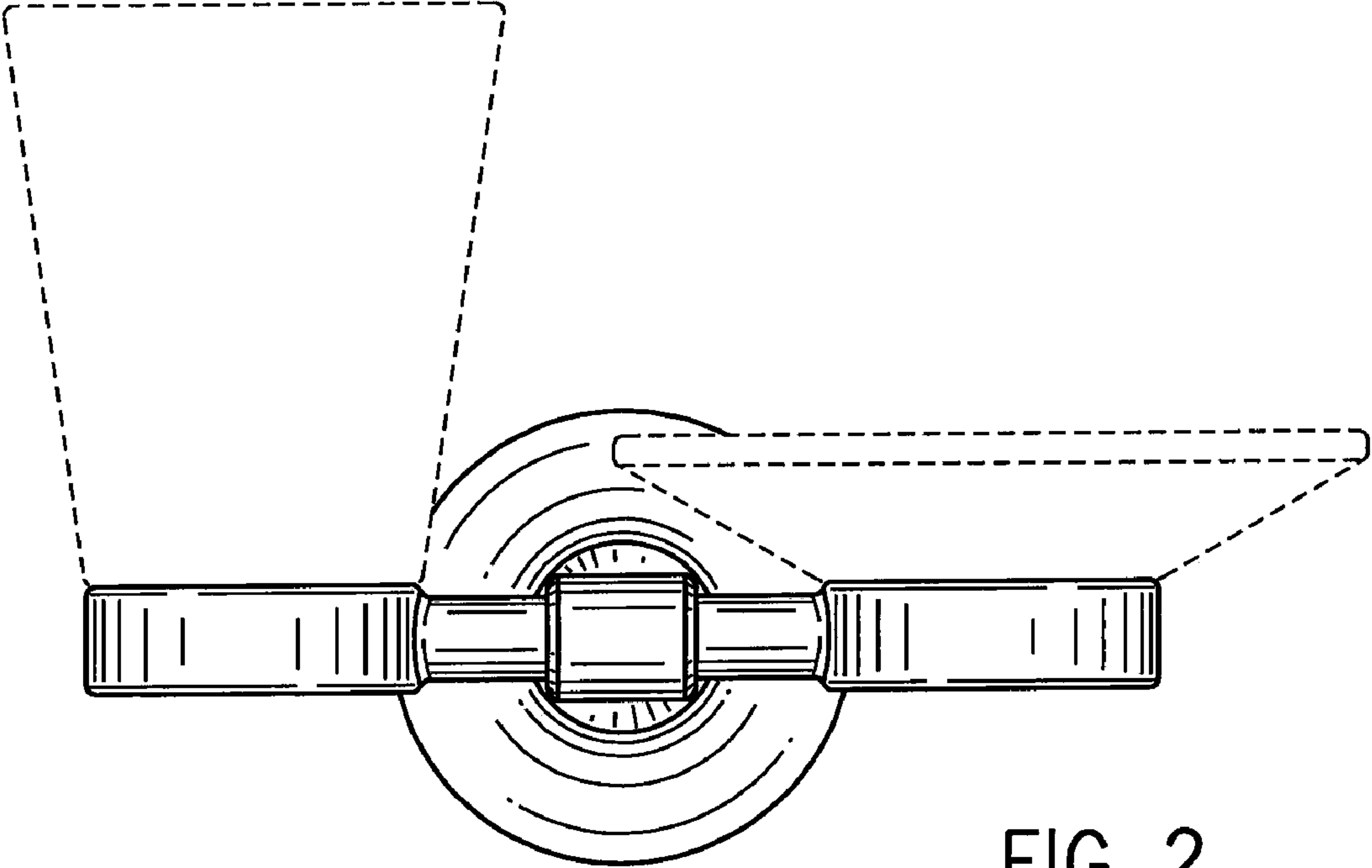


FIG. 2

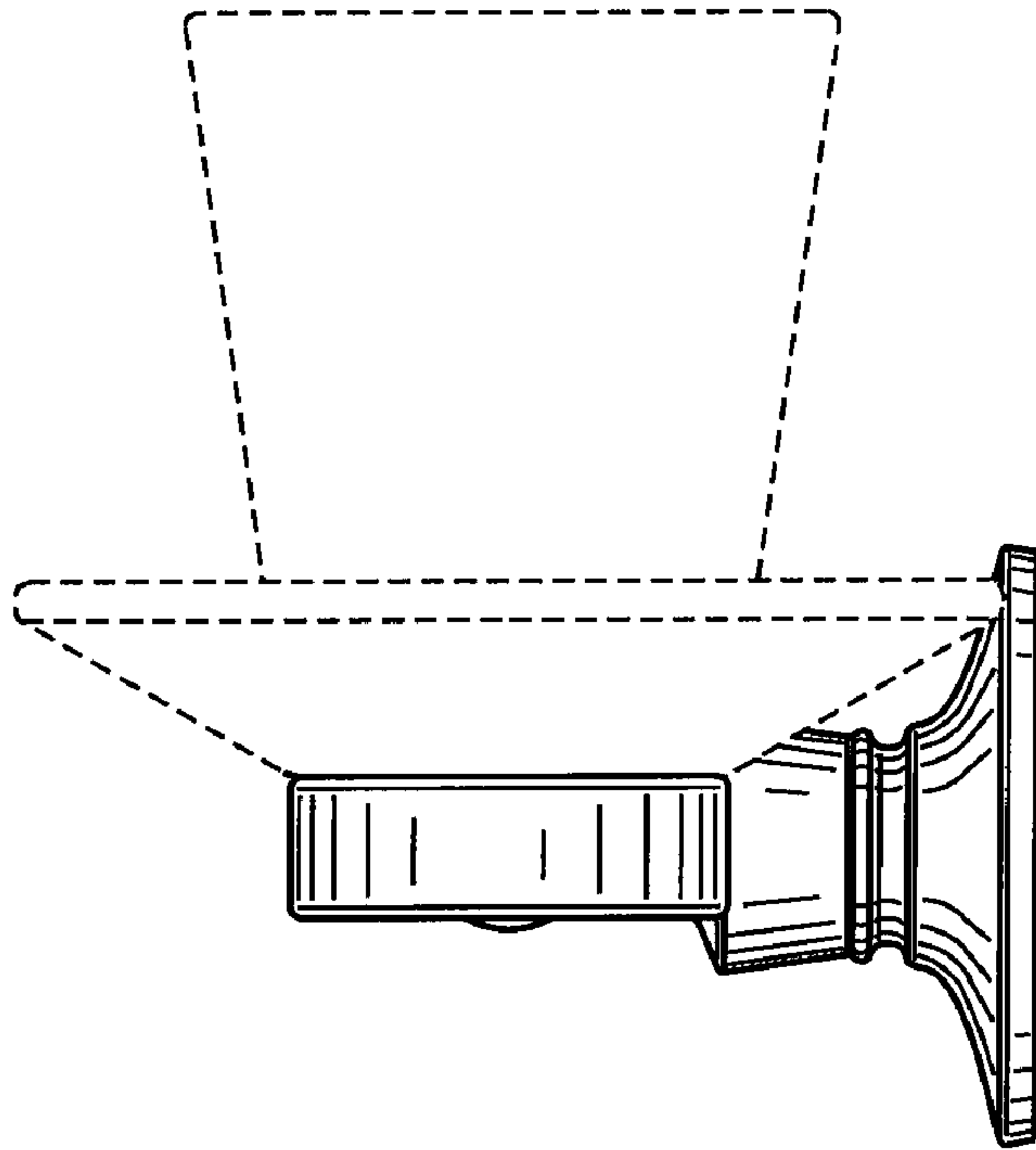


FIG. 3

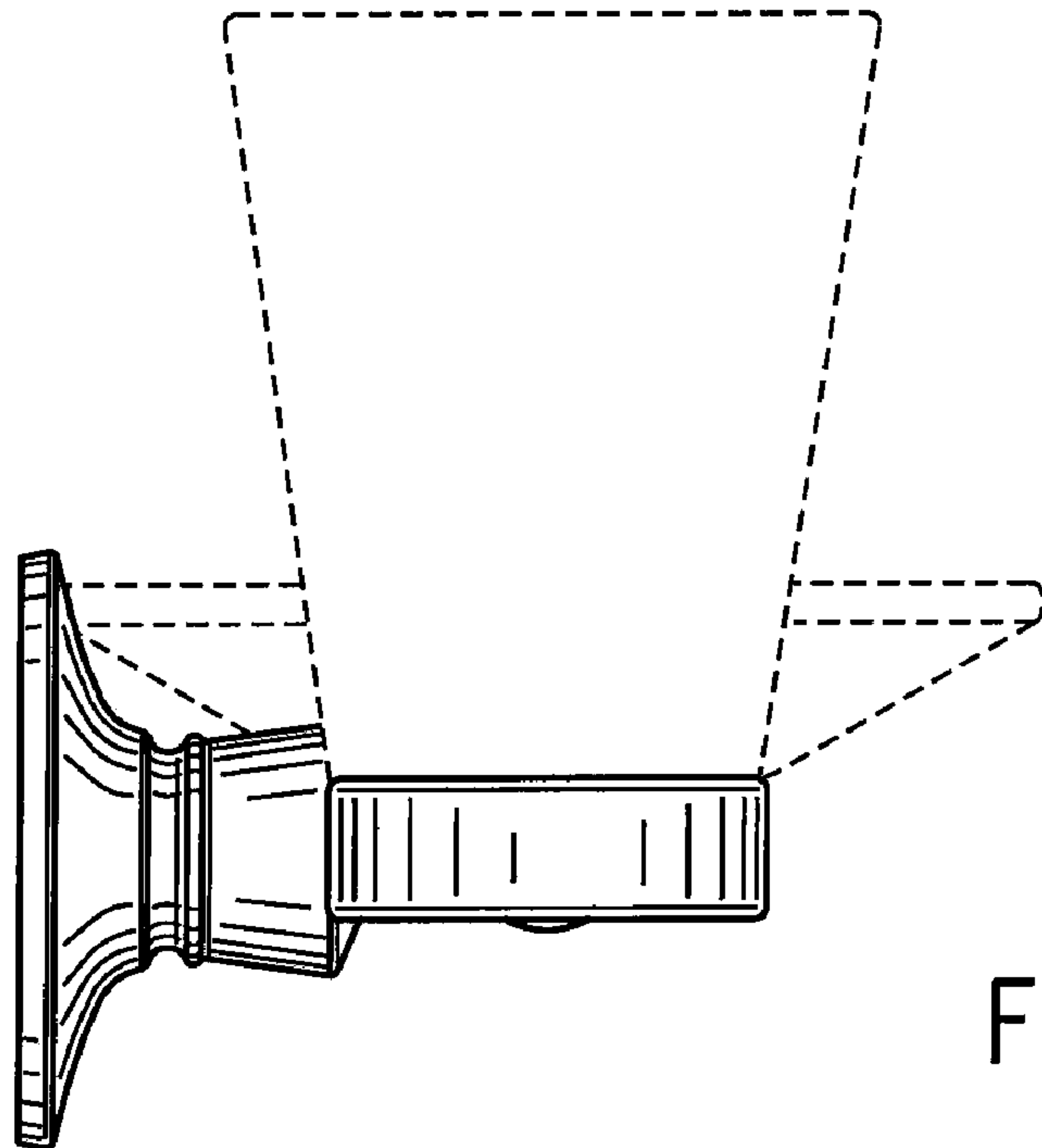


FIG. 4

FIG. 5

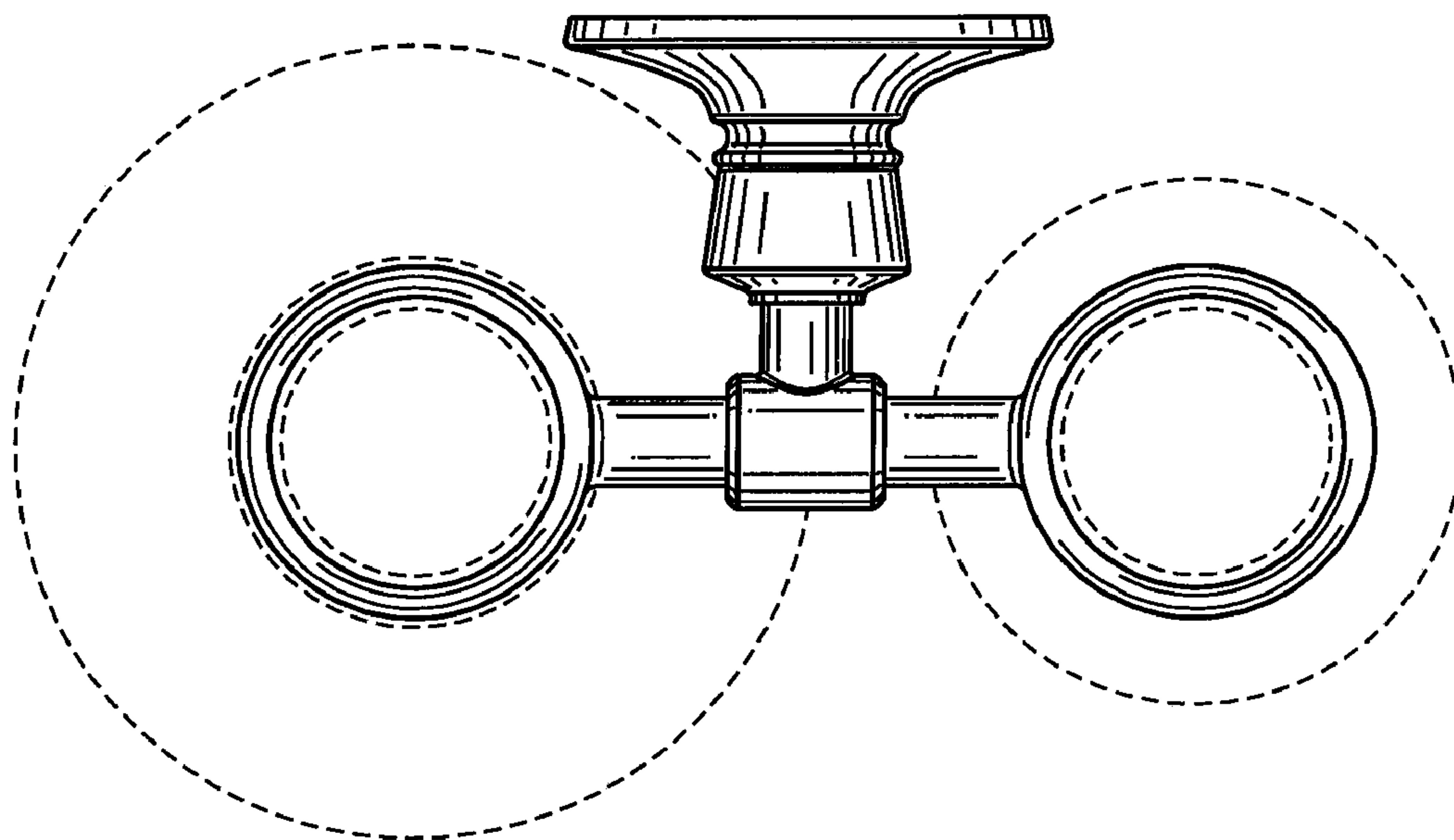
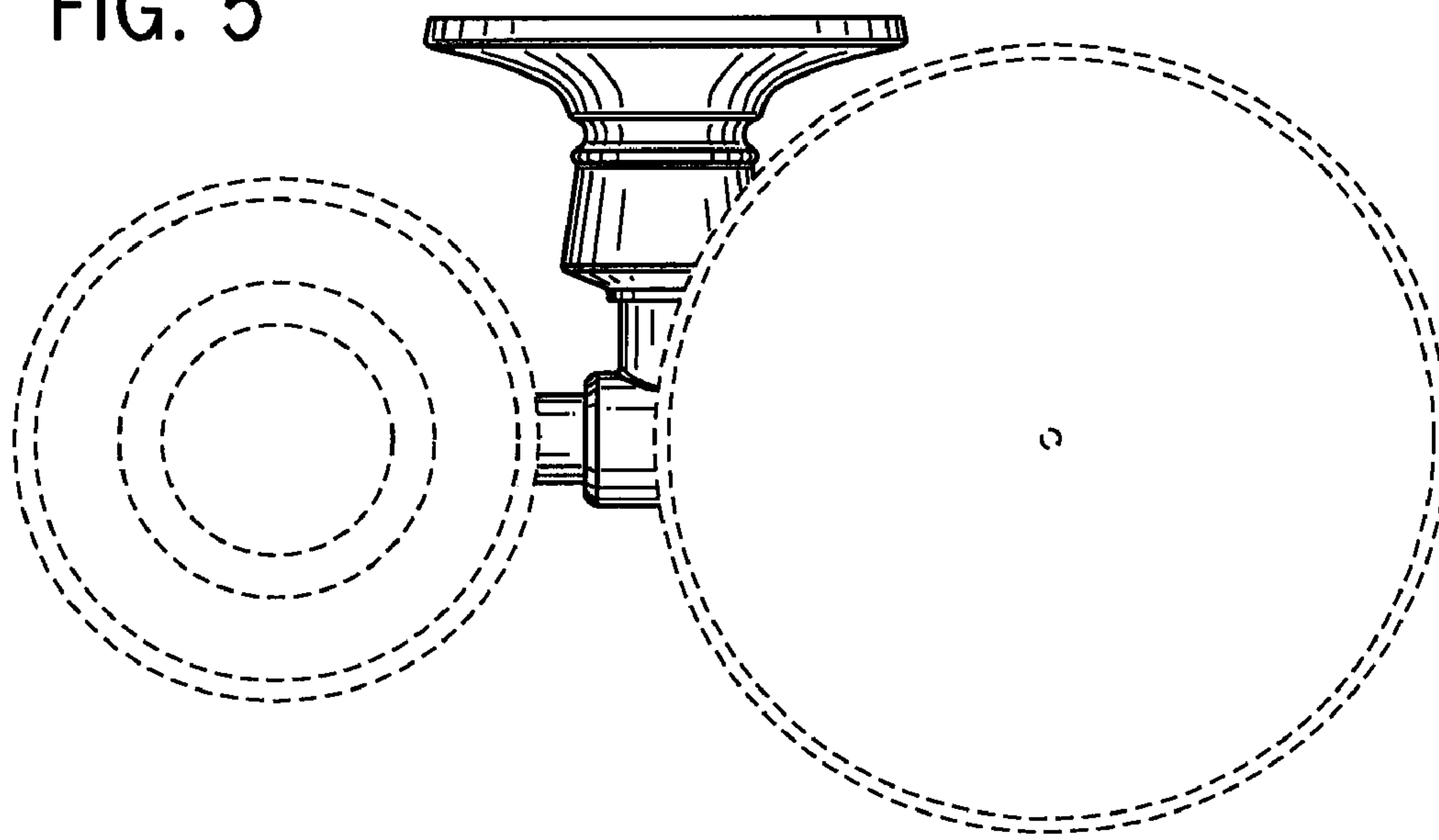


FIG. 6

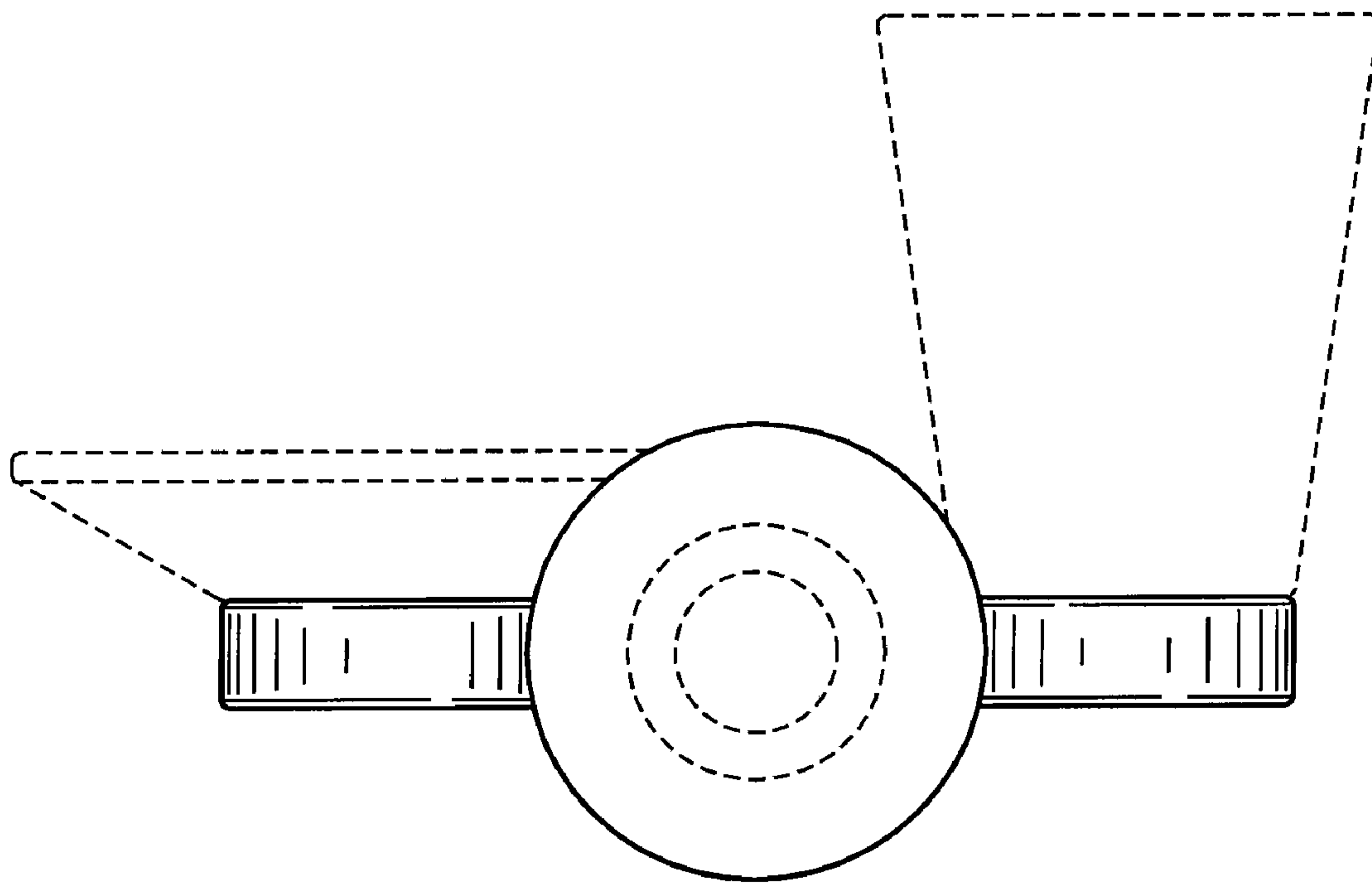


FIG. 7