



US00D566441S

(12) **United States Design Patent**
Dretzka

(10) **Patent No.:** **US D566,441 S**
(45) **Date of Patent:** **** Apr. 15, 2008**

(54) **SHOWER CADDY**

(75) Inventor: **Philip C. Dretzka**, Mariemont, OH (US)

(73) Assignee: **InterDesign, Inc.**, Solon, OH (US)

(**) Term: **14 Years**

(21) Appl. No.: **29/289,495**

(22) Filed: **Jul. 23, 2007**

(51) **LOC (8) Cl.** **23-02**

(52) **U.S. Cl.** **D6/525**

(58) **Field of Classification Search** D6/524,
D6/525, 566, 536, 540; 211/13.1, 74, 71.01,
211/86.01, 75, 88.01, 90.01, 90.03, 106, 119,
211/126.1, 133.5, 181.1, 134
See application file for complete search history.

(56) **References Cited**

U.S. PATENT DOCUMENTS

| | | | | | |
|------------|---|---------|-----------|-------|--------|
| D434,257 S | * | 11/2000 | Andujar | | D6/525 |
| D477,947 S | | 8/2003 | Snell | | |
| D479,073 S | | 9/2003 | Snell | | |
| D493,991 S | * | 8/2004 | Dretzka | | D6/525 |
| D494,793 S | * | 8/2004 | Winkleman | | D6/525 |
| D496,549 S | * | 9/2004 | Snell | | D6/525 |
| D498,102 S | | 11/2004 | Snell | | |
| D513,373 S | * | 1/2006 | Harwanko | | D6/525 |
| D530,121 S | * | 10/2006 | Snell | | D6/525 |
| D530,551 S | | 10/2006 | Snell | | |

OTHER PUBLICATIONS

2005 *bath housewares storage*, p. 14, 15, 16 & 17, InterDesign, Inc. product brochure w/front & back cover.

* cited by examiner

Primary Examiner—Brian N Vinson

(74) *Attorney, Agent, or Firm*—D. Peter Hochberg; Sean F. Mellino

(57) **CLAIM**

The ornamental design for a shower caddy, as shown and described.

DESCRIPTION

FIG. 1 is a perspective view of the shower caddy according to the invention;

FIG. 2 is a top view of the shower caddy as shown in FIG. 1;

FIG. 3 is a front view of the shower caddy as shown in FIG. 1;

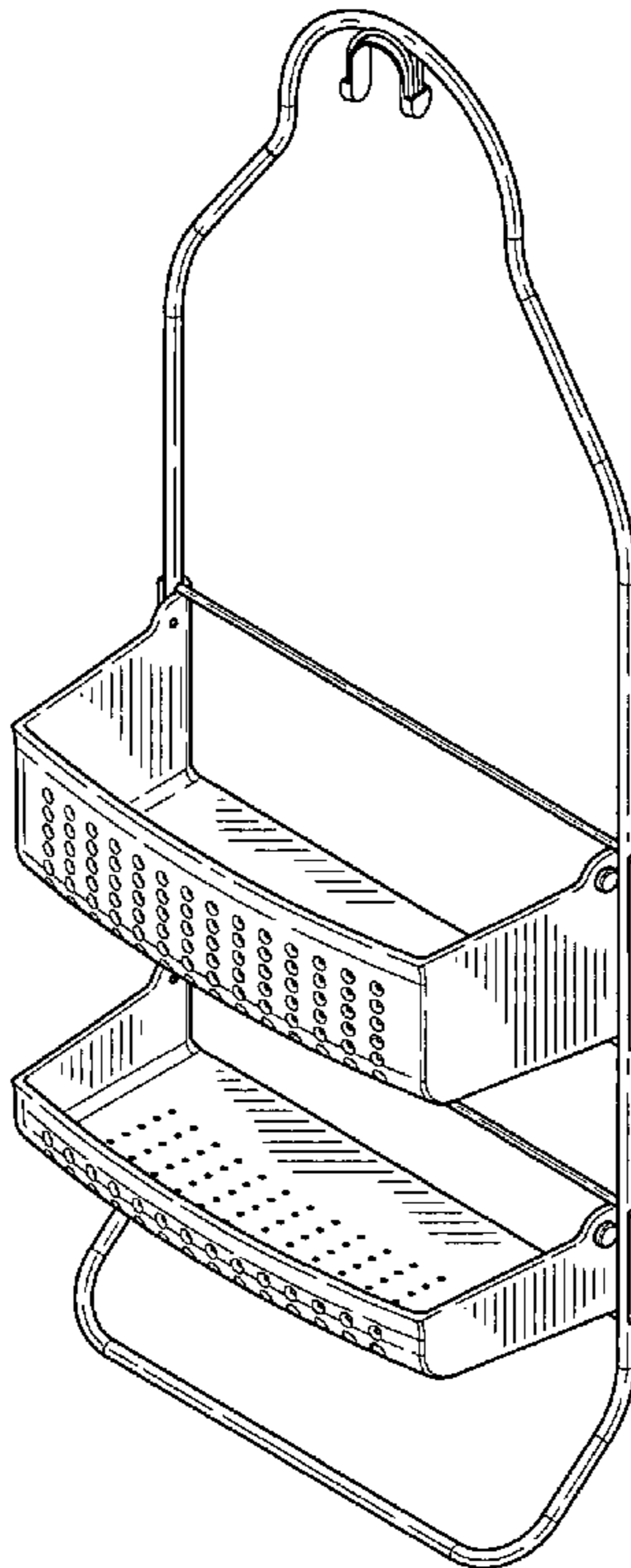
FIG. 4 is a side view of the shower caddy as shown in FIG. 1;

FIG. 5 is a rear view of the shower caddy as shown in FIG. 1;

FIG. 6 is a side view of the shower caddy as shown in FIG. 1, shown from the opposite side as that shown in FIG. 4; and,

FIG. 7 is a bottom view of the shower caddy as shown in FIG. 1.

1 Claim, 3 Drawing Sheets



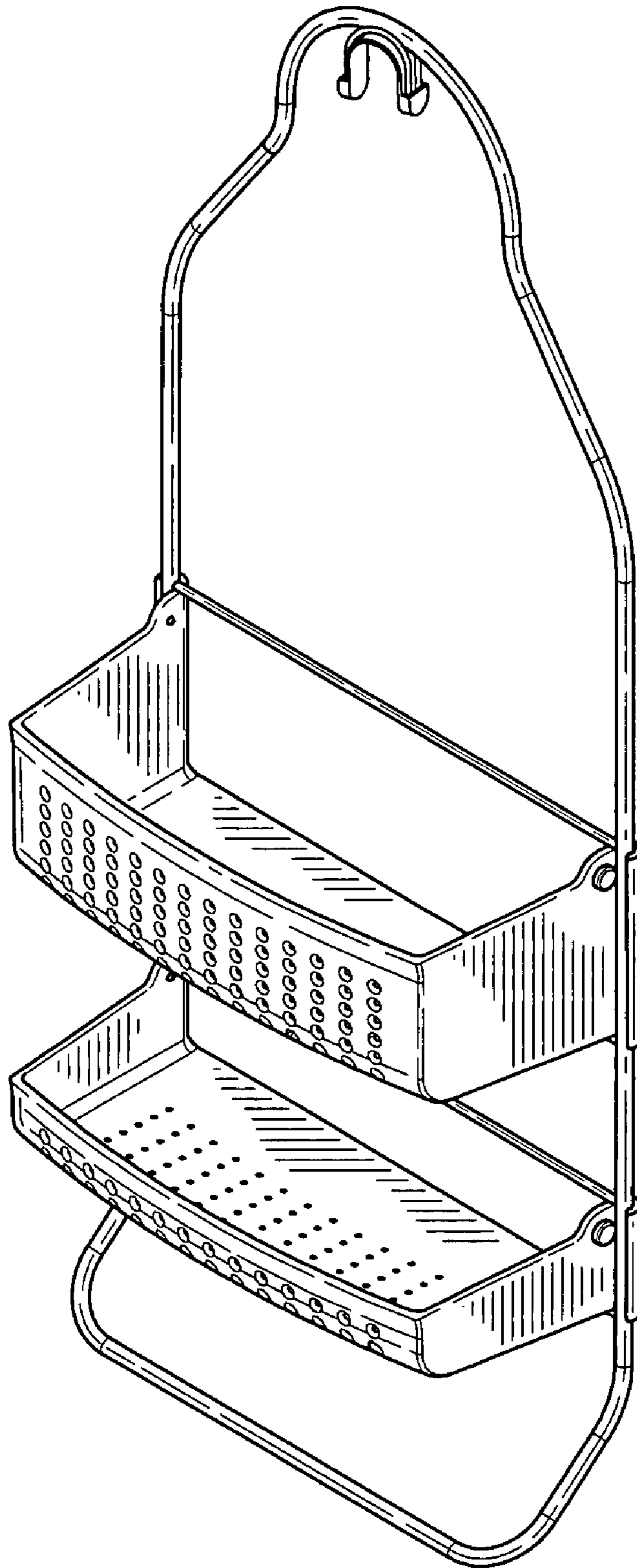


FIG-1

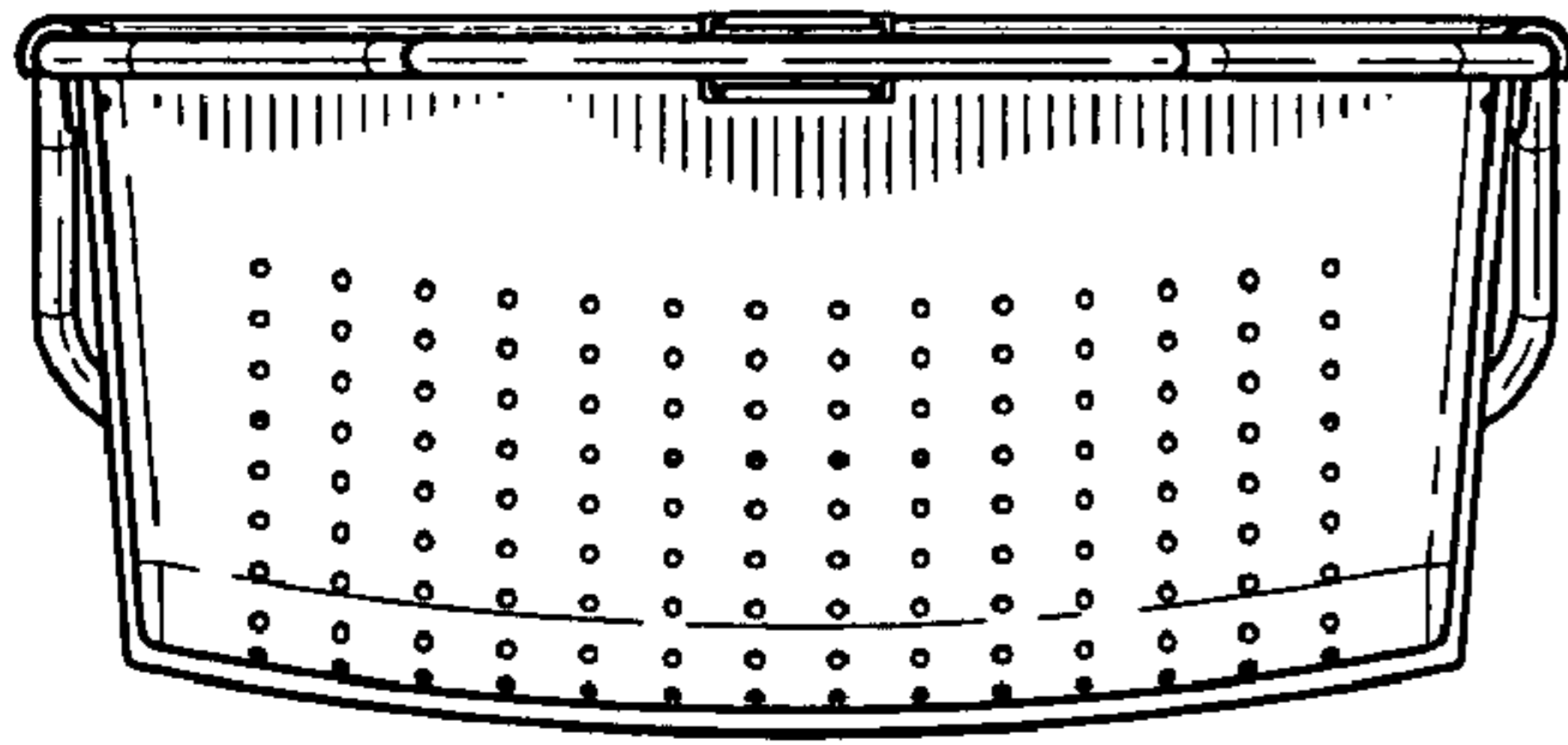


FIG-2

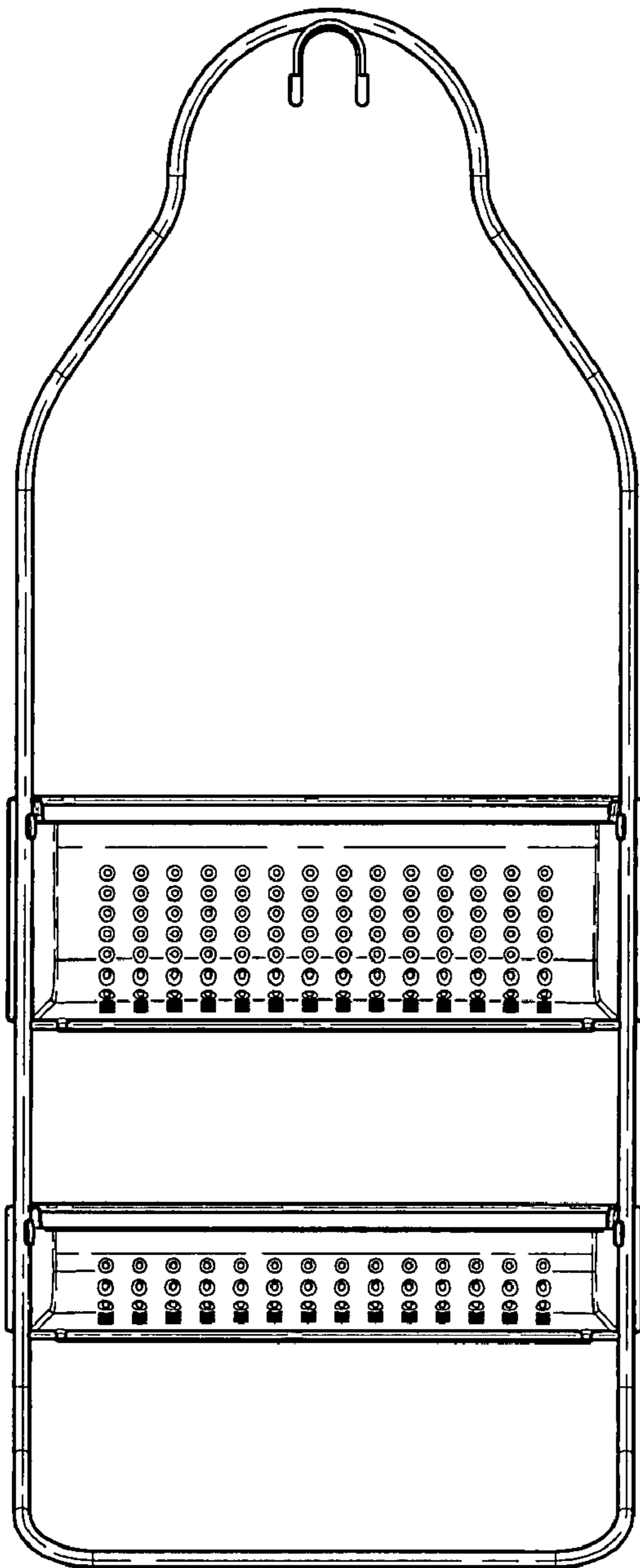


FIG-3

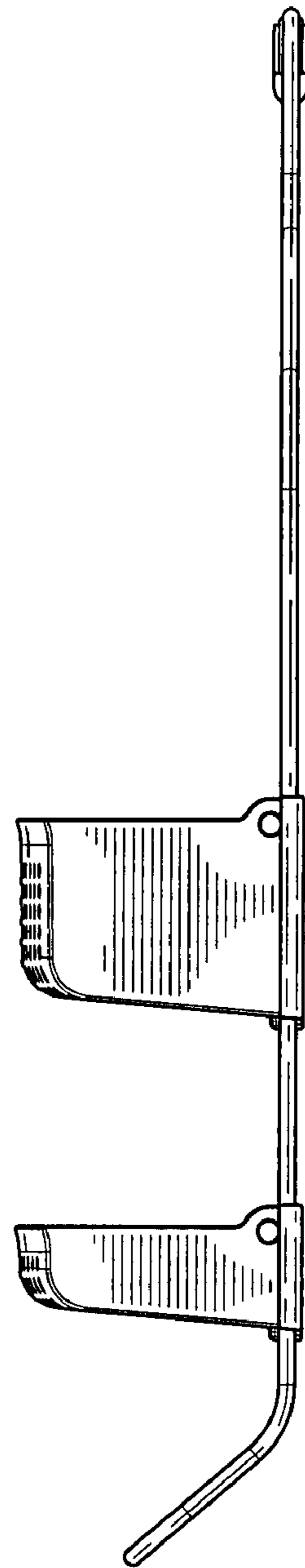


FIG-4

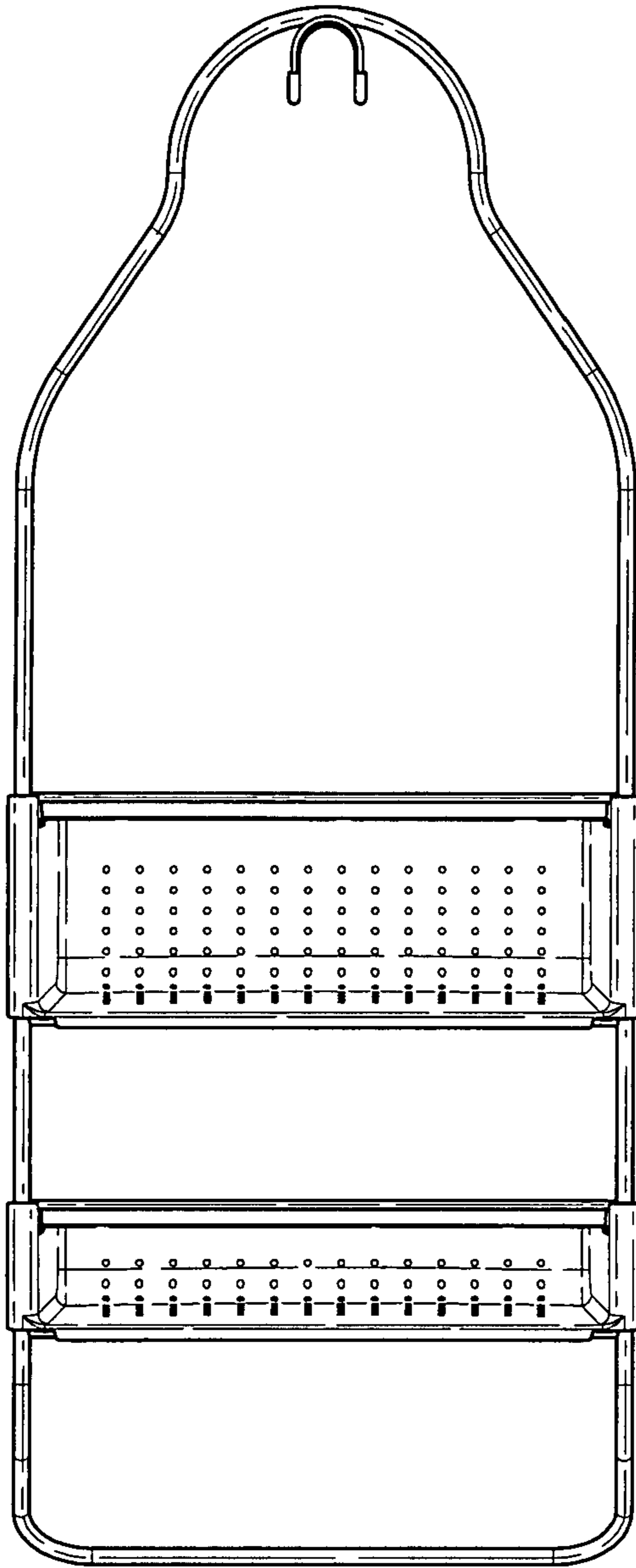


FIG-5

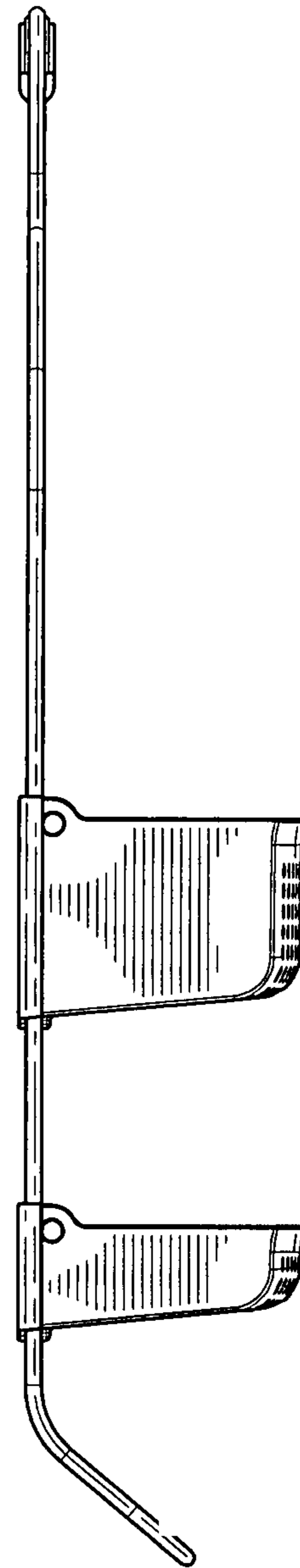


FIG-6

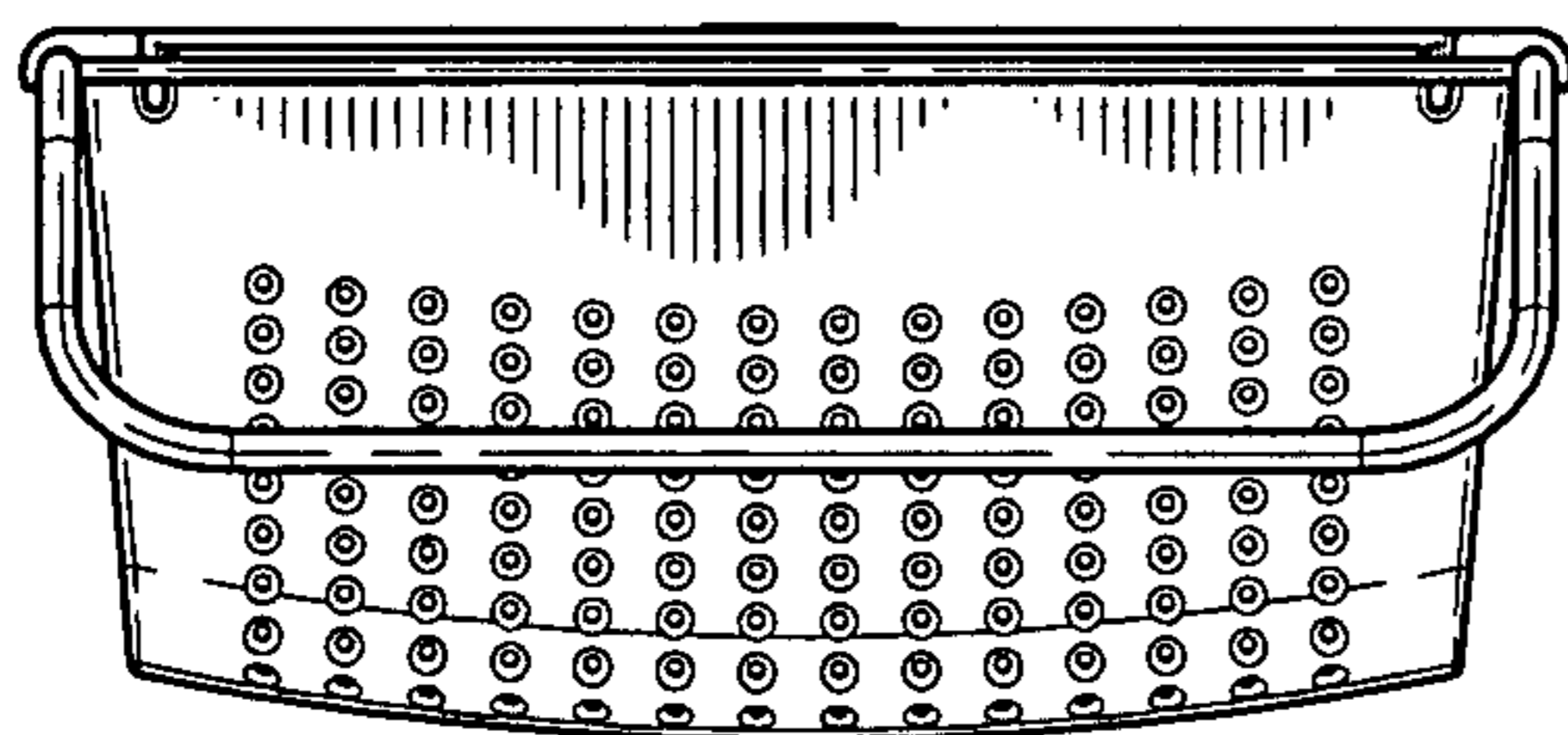


FIG-7