



US00D566439S

(12) **United States Design Patent**  
**Dretzka**

(10) **Patent No.:** **US D566,439 S**

(45) **Date of Patent:** **\*\* Apr. 15, 2008**

(54) **SHOWER CADDY**

D530,948 S \* 10/2006 Snell ..... D6/525

(75) Inventor: **Philip C. Dretzka**, Mariemont, OH  
(US)

(73) Assignee: **InterDesign, Inc.**, Solon, OH (US)

(\*\*) Term: **14 Years**

(21) Appl. No.: **29/288,337**

(22) Filed: **Jun. 7, 2007**

(51) **LOC (8) Cl.** ..... **23-02**

(52) **U.S. Cl.** ..... **D6/525**

(58) **Field of Classification Search** ..... D6/524,  
D6/525, 566, 536, 540; 211/13.1, 74, 71.01,  
211/86.01, 75, 88.01, 90.01, 90.03, 106, 119,  
211/126.1, 133.5, 181.1, 134

See application file for complete search history.

(56) **References Cited**

**U.S. PATENT DOCUMENTS**

D351,750 S *	10/1994	Sweeney	.....	D6/525
D396,157 S *	7/1998	Hofman	.....	D6/525
D446,670 S *	8/2001	Emery et al.	.....	D6/525
6,520,351 B1 *	2/2003	Zadro	.....	211/119
D473,084 S *	4/2003	Suero, Jr.	.....	D6/525
D473,411 S *	4/2003	Walker	.....	D6/525
D477,947 S *	8/2003	Snell	.....	D6/525
D479,073 S	9/2003	Snell		
D479,074 S *	9/2003	Snell	.....	D6/525
D489,207 S *	5/2004	Rosen	.....	D6/525
D498,102 S *	11/2004	Snell	.....	D6/525
D512,861 S *	12/2005	Rosen	.....	D6/525
D530,551 S *	10/2006	Snell	.....	D6/525

**OTHER PUBLICATIONS**

2005 *bath housewares storage*, p. 14, 15, 16 & 17, InterDesign, Inc. product brochure w/front & back cover.

\* cited by examiner

*Primary Examiner*—Brian N Vinson

(74) *Attorney, Agent, or Firm*—D. Peter Hochberg; Sean F. Mellino

(57) **CLAIM**

The ornamental design for a shower caddy, as shown and described.

**DESCRIPTION**

FIG. 1 is a perspective view of the shower caddy according to the invention;

FIG. 2 is a top view of the shower caddy as shown in FIG. 1;

FIG. 3 is a front view of the shower caddy as shown in FIG. 1;

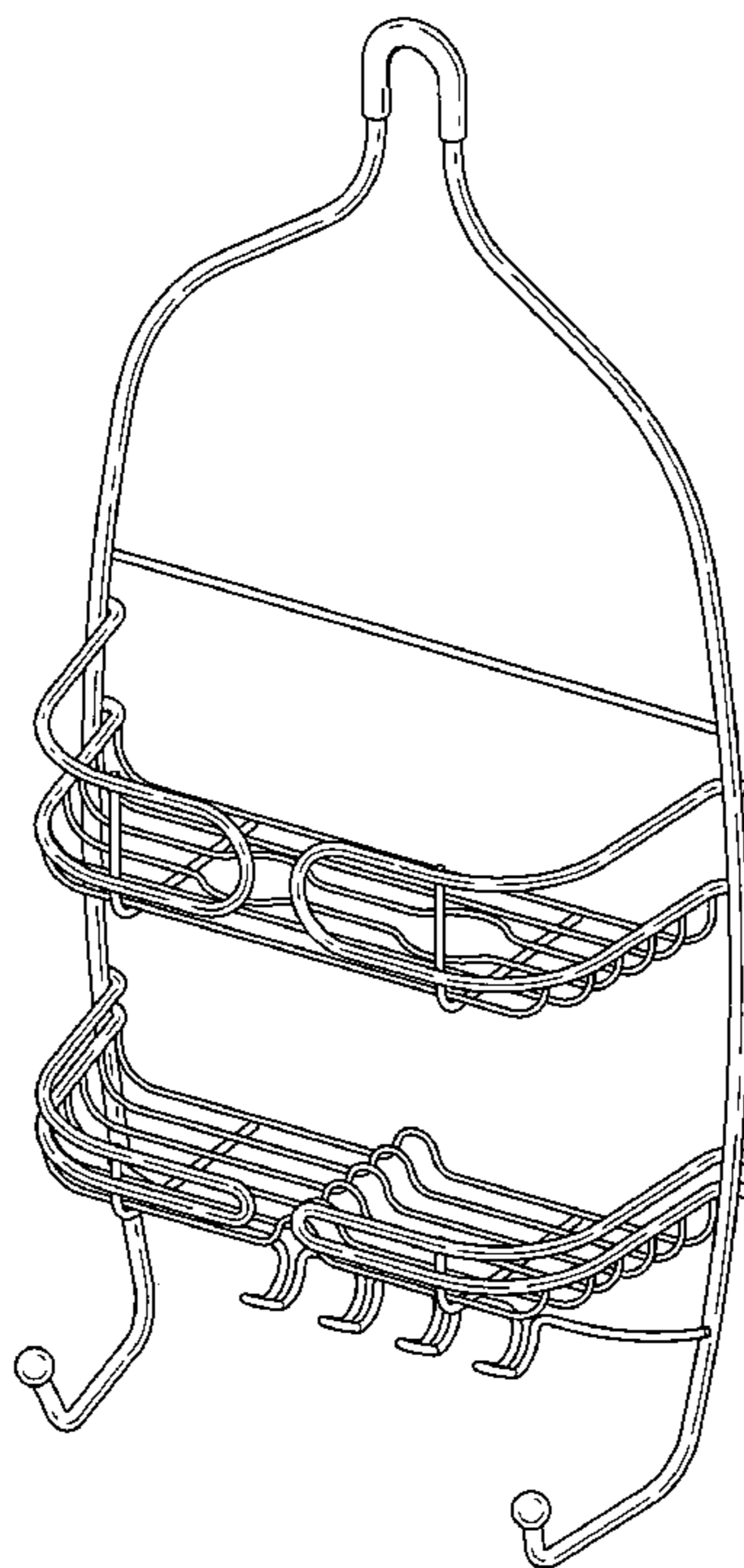
FIG. 4 is a side view of the shower caddy as shown in FIG. 1;

FIG. 5 is a rear view of the shower caddy as shown in FIG. 1;

FIG. 6 is a side view of the shower caddy as shown in FIG. 1, shown from the opposite side as that shown in FIG. 4; and,

FIG. 7 is a bottom view of the shower caddy as shown in FIG. 1.

**1 Claim, 3 Drawing Sheets**



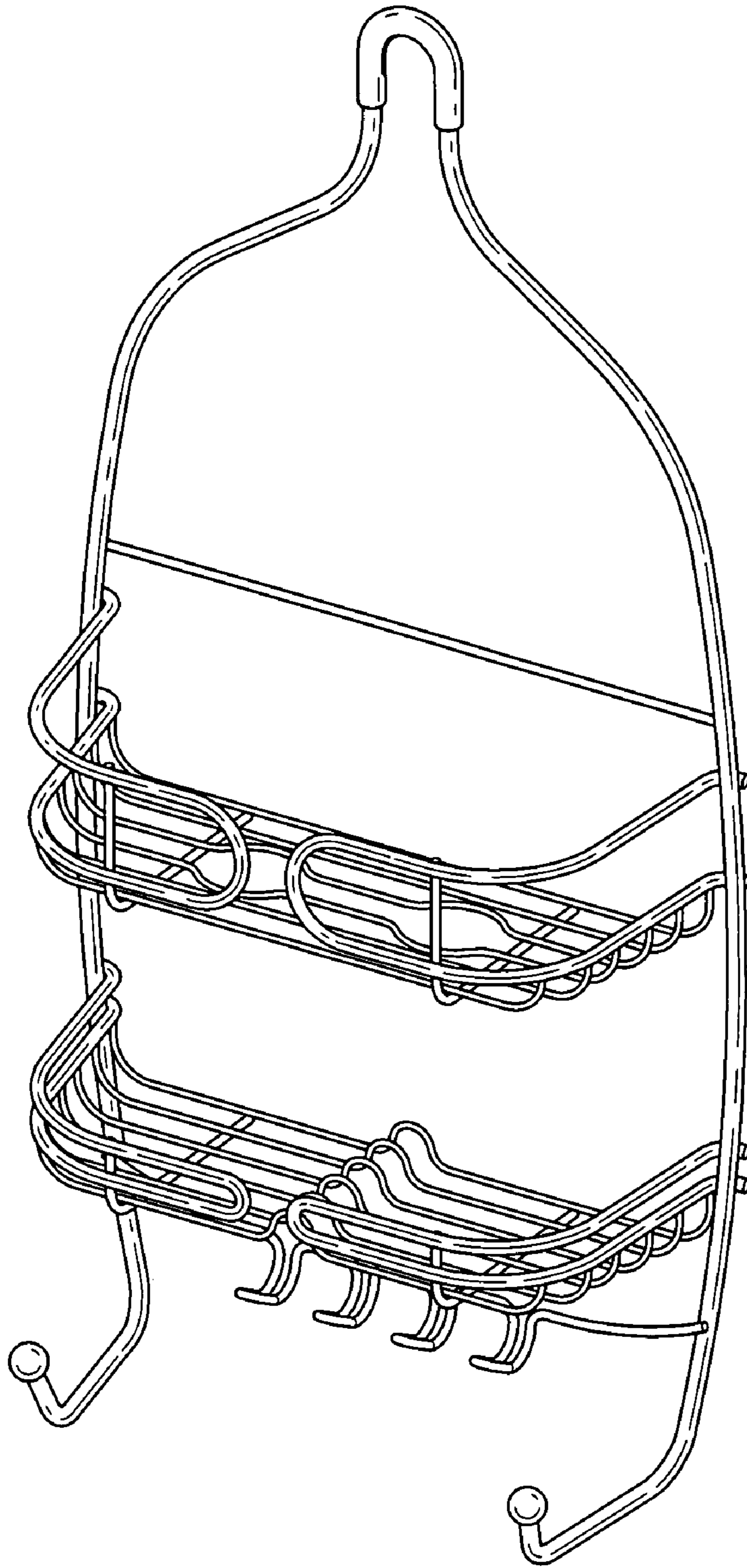


FIG-1

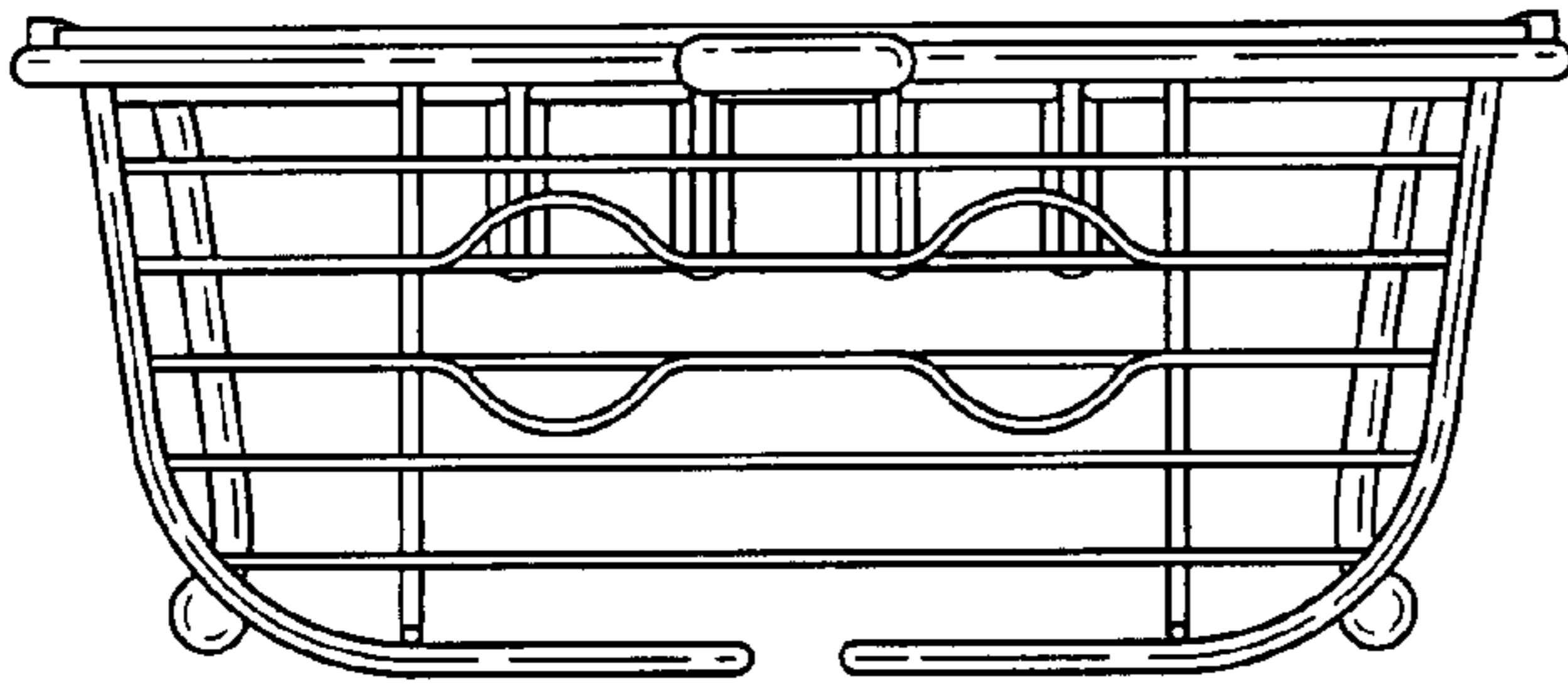


FIG-2

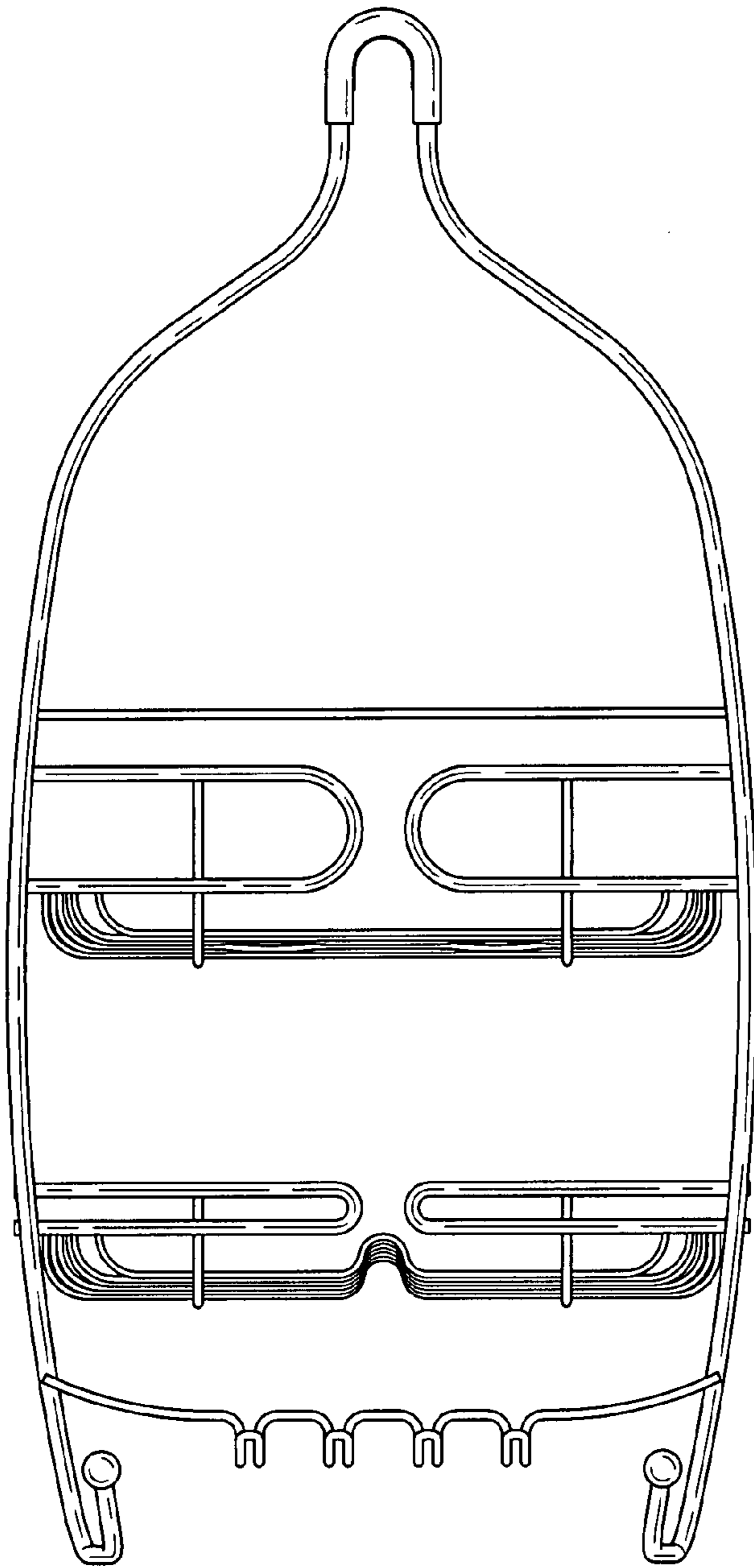


FIG-3

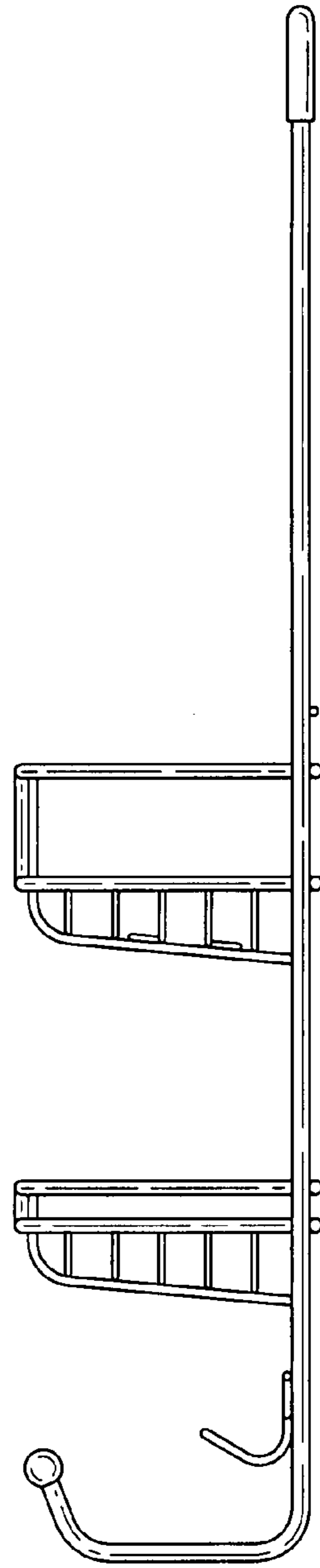


FIG-4

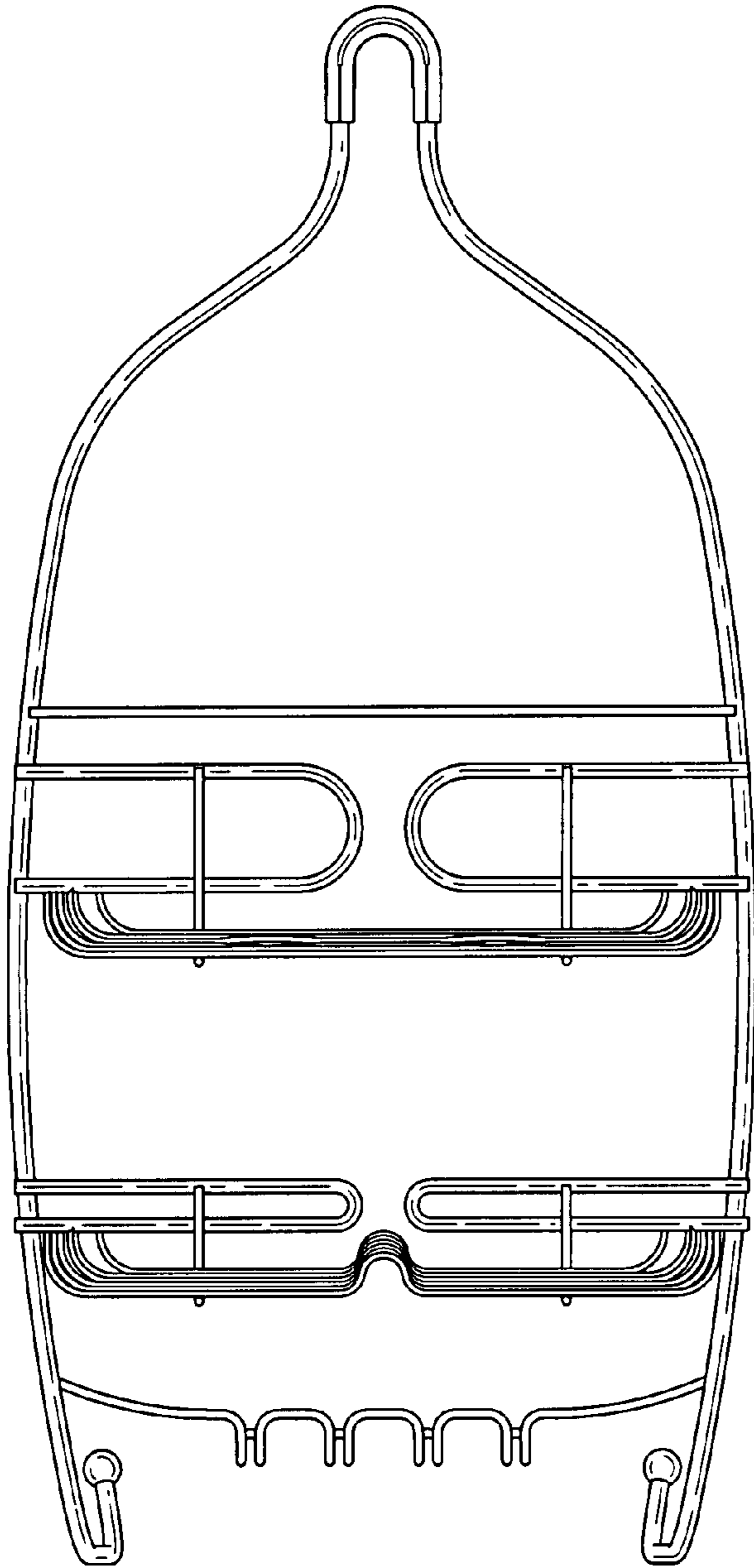


FIG-5

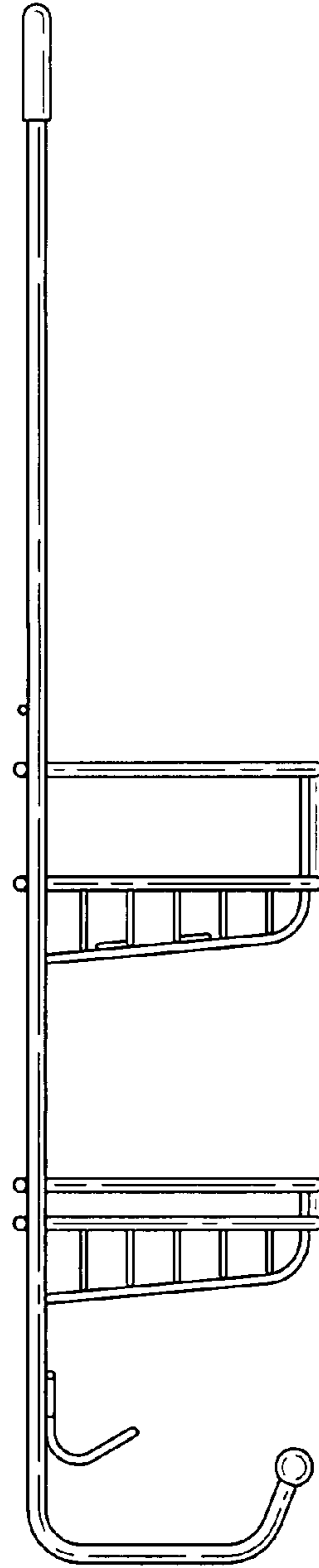


FIG-6

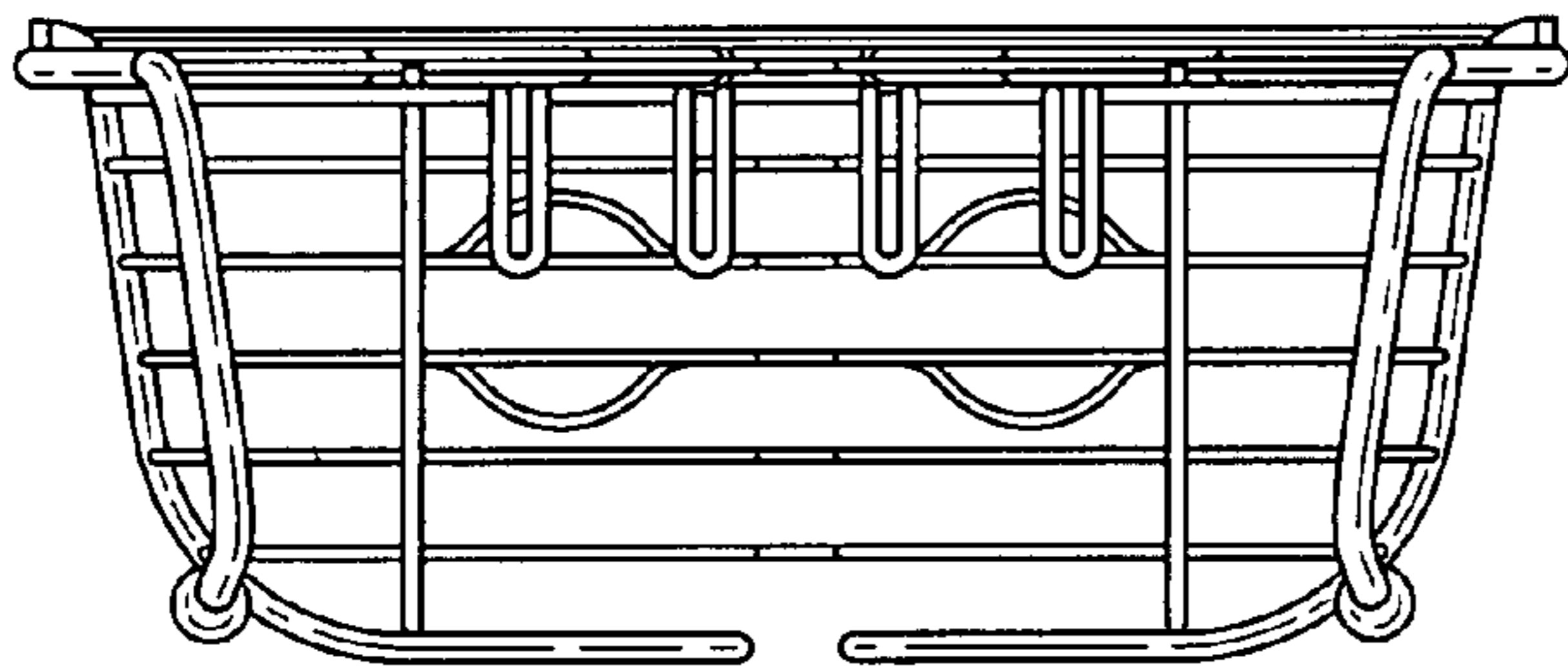


FIG-7