



US00D566433S

(12) **United States Design Patent**  
**Puksta**

(10) **Patent No.:** **US D566,433 S**  
(45) **Date of Patent:** **\*\* Apr. 15, 2008**

(54) **CABINET BASE COMPONENT**

(75) Inventor: **Frederick P. Puksta**, Keene, NH (US)

(73) Assignee: **Crown Point Cabinetry**, Claremont, NH (US)

(\*\*) Term: **14 Years**

(21) Appl. No.: **29/284,518**

(22) Filed: **Sep. 10, 2007**

(51) **LOC (8) Cl.** ..... **06-06**

(52) **U.S. Cl.** ..... **D6/495**

(58) **Field of Classification Search** ..... D6/363-365,  
D6/402, 407, 432-441, 444-448, 480, 484,  
D6/491-495, 509-511, 631-633; 108/150,  
108/153.1, 155, 156, 157.1, 161; 248/188,  
248/188.1, 188.8, 188.9; 297/445.1, 446.1

See application file for complete search history.

(56) **References Cited**

**U.S. PATENT DOCUMENTS**

D272,698 S *	2/1984	Aulbert et al. ....	D6/448
D433,845 S *	11/2000	Wilson et al. ....	D6/446
D445,596 S *	7/2001	Stout et al. ....	D6/446
D480,893 S *	10/2003	Berry et al. ....	D6/434
D482,901 S *	12/2003	Stanton ....	D6/441
D483,962 S *	12/2003	Stanton ....	D6/441
D503,565 S *	4/2005	Mohundro ....	D6/446

D511,907 S *	11/2005	Prillaman et al. ....	D6/446
D511,908 S *	11/2005	Prillaman et al. ....	D6/446
D512,247 S *	12/2005	Prillaman et al. ....	D6/446
D516,342 S *	3/2006	Mohundro ....	D6/446
D525,049 S *	7/2006	Mohundro ....	D6/446
D555,935 S *	11/2007	Domack et al. ....	D6/446

\* cited by examiner

*Primary Examiner*—Mimosa De

*Assistant Examiner*—Ricky Pham

(74) *Attorney, Agent, or Firm*—Coats & Bennett, P.L.L.C.

(57) **CLAIM**

The ornamental design for a cabinet base component, as shown and described.

**DESCRIPTION**

FIG. 1 is a perspective view of the cabinet base component.

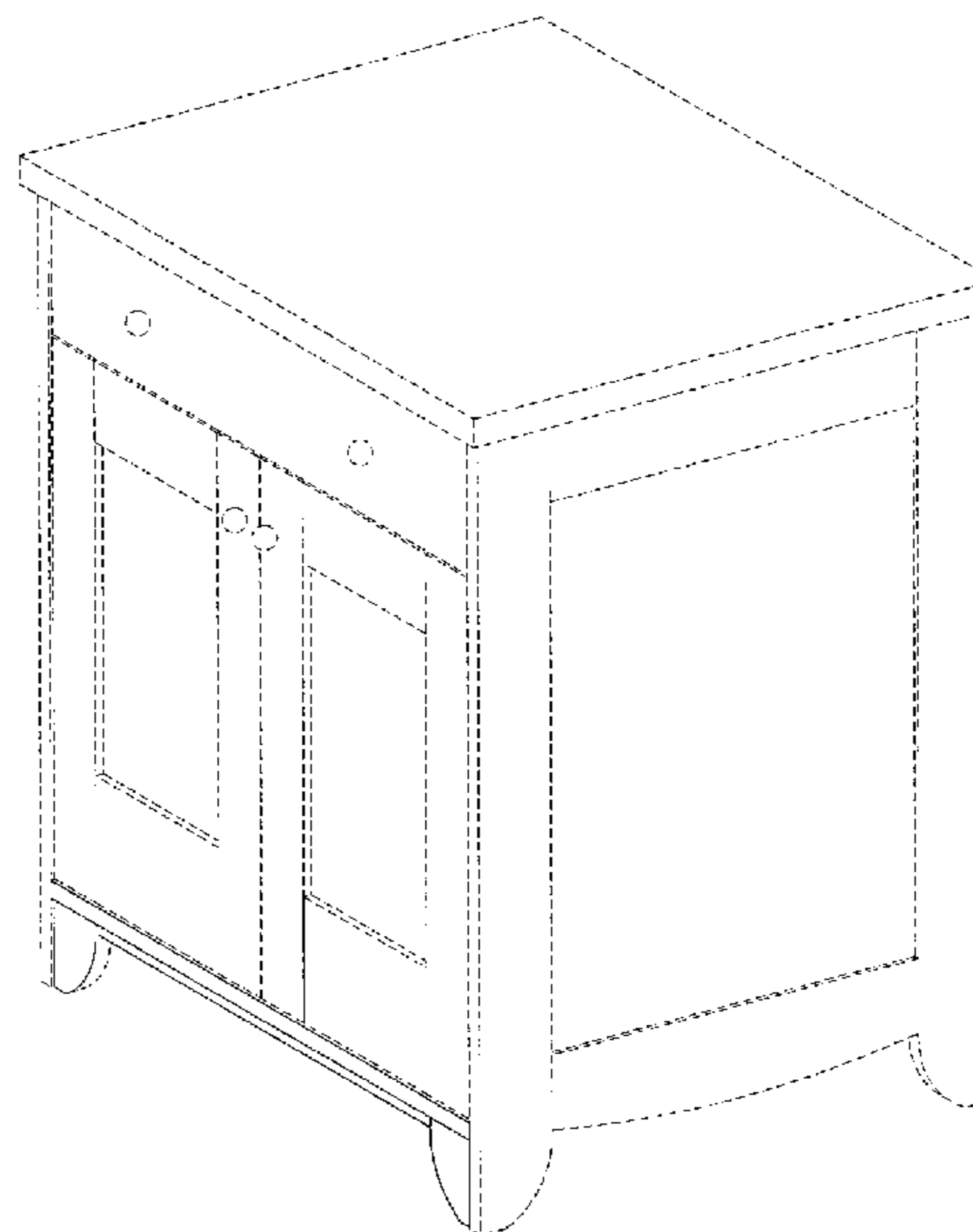
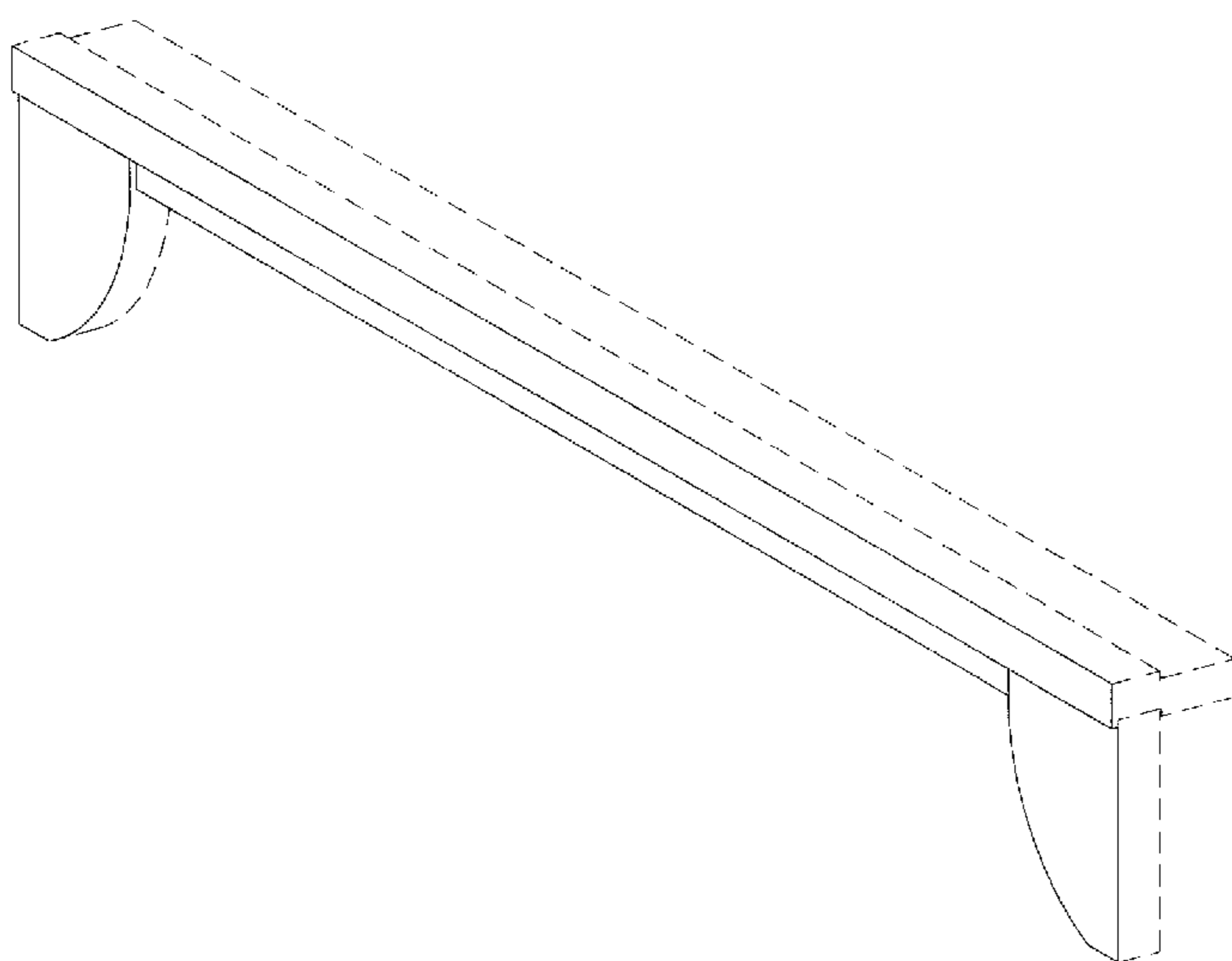
FIG. 2 is a front elevational view of the cabinet base component; and,

FIG. 3 is a perspective view of a cabinet having the cabinet base component incorporated therein.

The back, top, bottom and sides form no part of the claimed design.

Portions of the design shown in broken lines form no part of the claimed design.

**1 Claim, 3 Drawing Sheets**



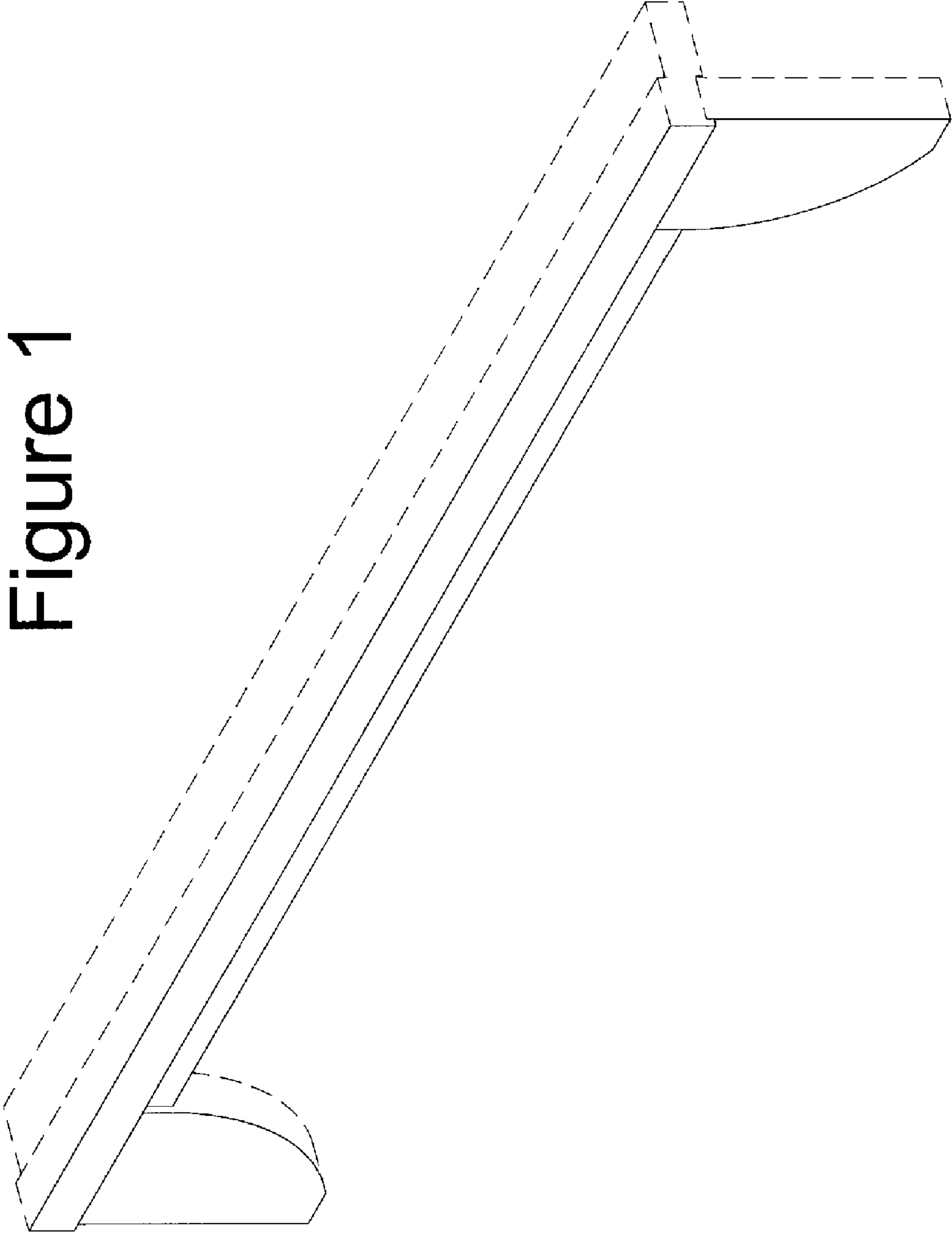


Figure 1

Figure 2



Figure 3

