



US00D566431S

(12) **United States Design Patent**  
**Holland**

(10) **Patent No.:** **US D566,431 S**  
(45) **Date of Patent:** **\*\* Apr. 15, 2008**

(54) **PORTION OF A PIECE OF FURNITURE**

(76) Inventor: **David Holland**, 1815 S. Fifth St.,  
Springfield, IL (US) 62703-3266

(\*\*) Term: **14 Years**

(21) Appl. No.: **29/250,713**

(22) Filed: **Nov. 28, 2006**

(51) **LOC (8) Cl.** ..... **06-01**

(52) **U.S. Cl.** ..... **D6/495**

(58) **Field of Classification Search** ..... D6/349-355,  
D6/363-364, 484, 495, 500-502; 297/195.1,  
297/195.11, 16.1, 118, 16.2, 175, 187, 462,  
297/215.16, 219.11, 423.1, 423.39, 423.41,  
297/423.43, 461; 108/53.3, 115, 150

See application file for complete search history.

(56) **References Cited**

U.S. PATENT DOCUMENTS

D106,216 S \* 9/1937 Salomon ..... D6/349

(Continued)

OTHER PUBLICATIONS

Johnston Casuals' model 9628 stool and model 9658 table.

*Primary Examiner*—Sandra Snapp

(74) *Attorney, Agent, or Firm*—Design IP

(57) **CLAIM**

The ornamental design for a portion of a piece of furniture,  
as shown and described.

**DESCRIPTION**

FIG. 1 is a perspective view of a first embodiment of a  
portion of a piece of furniture in the form of a stool showing  
my new design;

FIG. 2 is a front elevation view thereof, the left side, right  
side and rear side elevation views being identical thereto;

FIG. 3 is a front elevation view thereof, in which a portion  
of the environmental subject matter has been omitted, the  
left side, right side and rear elevation views being identical  
thereto;

FIG. 4 is a top plan view thereof;

FIG. 5 is a bottom plan view thereof;

FIG. 6 is a perspective view of a second embodiment of a  
portion of a piece of furniture in the form of a stool showing  
my new design;

FIG. 7 is a front elevation view thereof;

FIG. 8 is a front elevation view thereof, in which a portion  
of the environmental subject matter has been omitted;

FIG. 9 is a left side elevation view thereof;

FIG. 10 is a left side elevation view thereof, in which a  
portion of the environmental subject matter has been omit-  
ted;

FIG. 11 is a right side elevation view thereof;

FIG. 12 is a right side elevation view thereof, in which a  
portion of the environmental subject matter has been omit-  
ted;

FIG. 13 is a rear elevation view thereof;

FIG. 14 is a rear elevation view thereof, in which a portion  
of the environmental subject matter has been omitted;

FIG. 15 is a top plan view thereof;

FIG. 16 is a bottom plan view thereof;

FIG. 17 is a perspective view of a third embodiment of a  
portion of a piece of furniture in the form of a table showing  
my new design;

FIG. 18 is a front elevation view thereof, the left side, right  
side and rear elevation views being identical thereto;

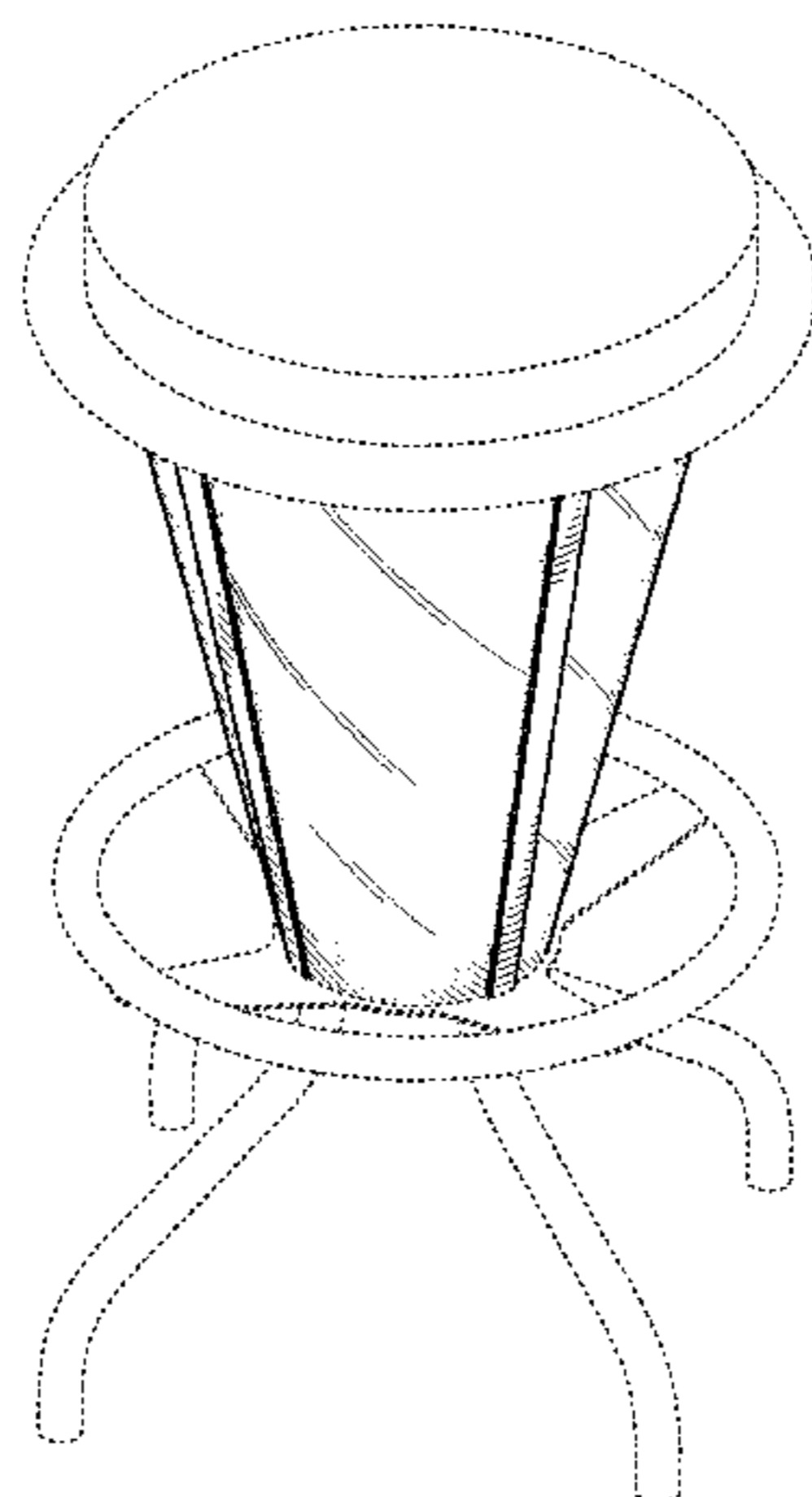
FIG. 19 is a top plan view thereof;

FIG. 20 is a bottom plan view thereof; and,

FIG. 21 is a perspective view of a fourth embodiment of a  
portion of a piece of furniture in the form of a stool showing  
my new design, which is identical to the embodiment shown  
in FIGS. 17-20 except that the panels are opaque.

The broken lines shown in FIGS. 1-21 are included for the  
purpose of illustrating environmental elements only and  
form no part of the claimed design. The curved panels shown  
in FIGS. 1-20 are shaded for transparency or translucency.  
The curved panels shown in FIGS. 21 are shaded for opacity.

**1 Claim, 13 Drawing Sheets**



# US D566,431 S

Page 2

---

## U.S. PATENT DOCUMENTS

D107,860 S *	1/1938	Ferris	.....	D6/352	D317,405 S *	6/1991	Yasika	.....	D3/203.2
3,425,764 A *	2/1969	Budd	.....	312/259	D342,843 S *	1/1994	Kuntz	.....	D6/455
3,724,745 A *	4/1973	Brown	.....	232/43.2	D410,352 S *	6/1999	Fore	.....	D6/455
D233,714 S *	11/1974	Everard	.....	D6/352	D474,039 S *	5/2003	Zemp	.....	D6/349
D234,476 S *	3/1975	Rosen	.....	D6/352					

\* cited by examiner

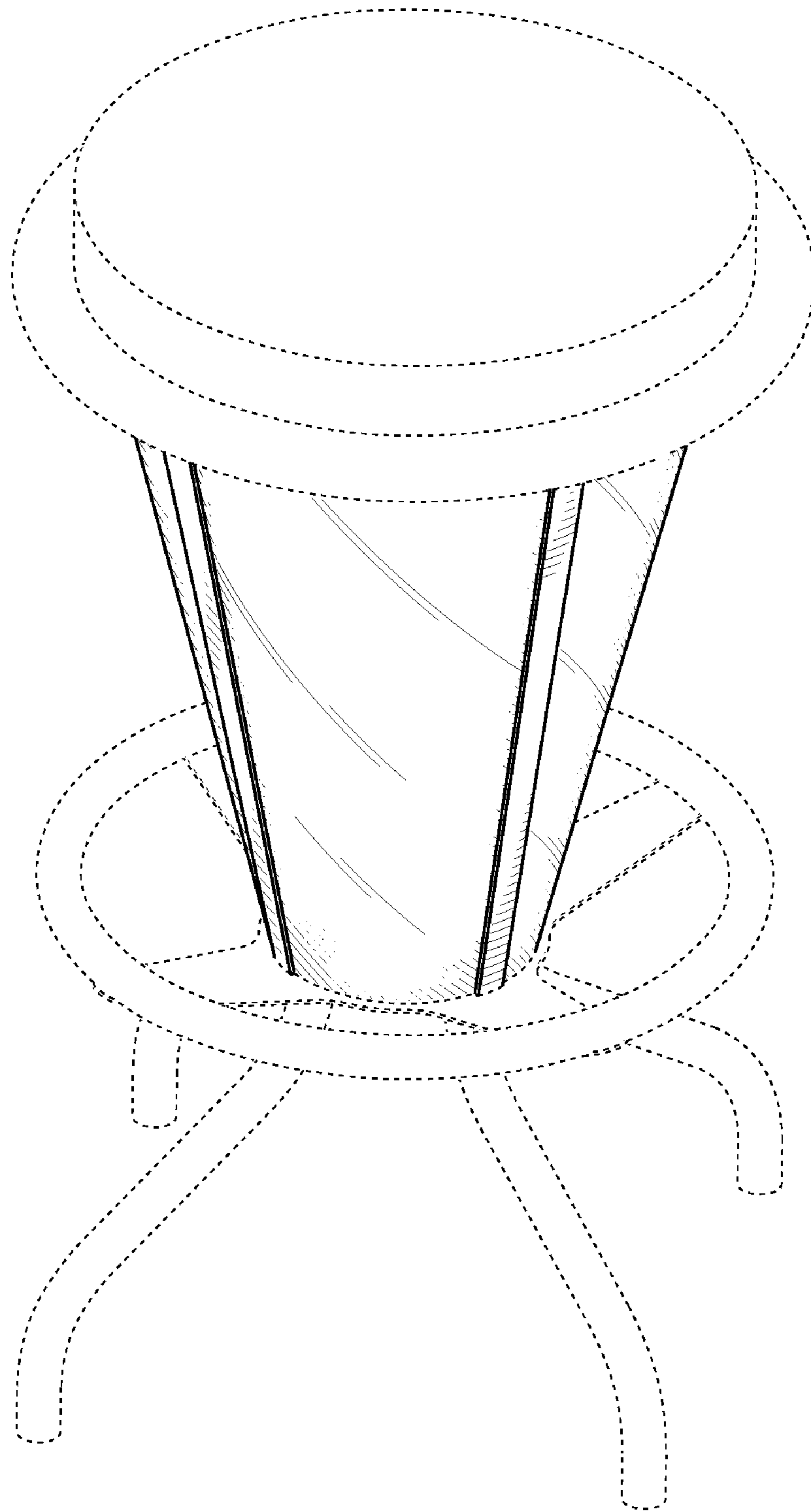


FIG. 1

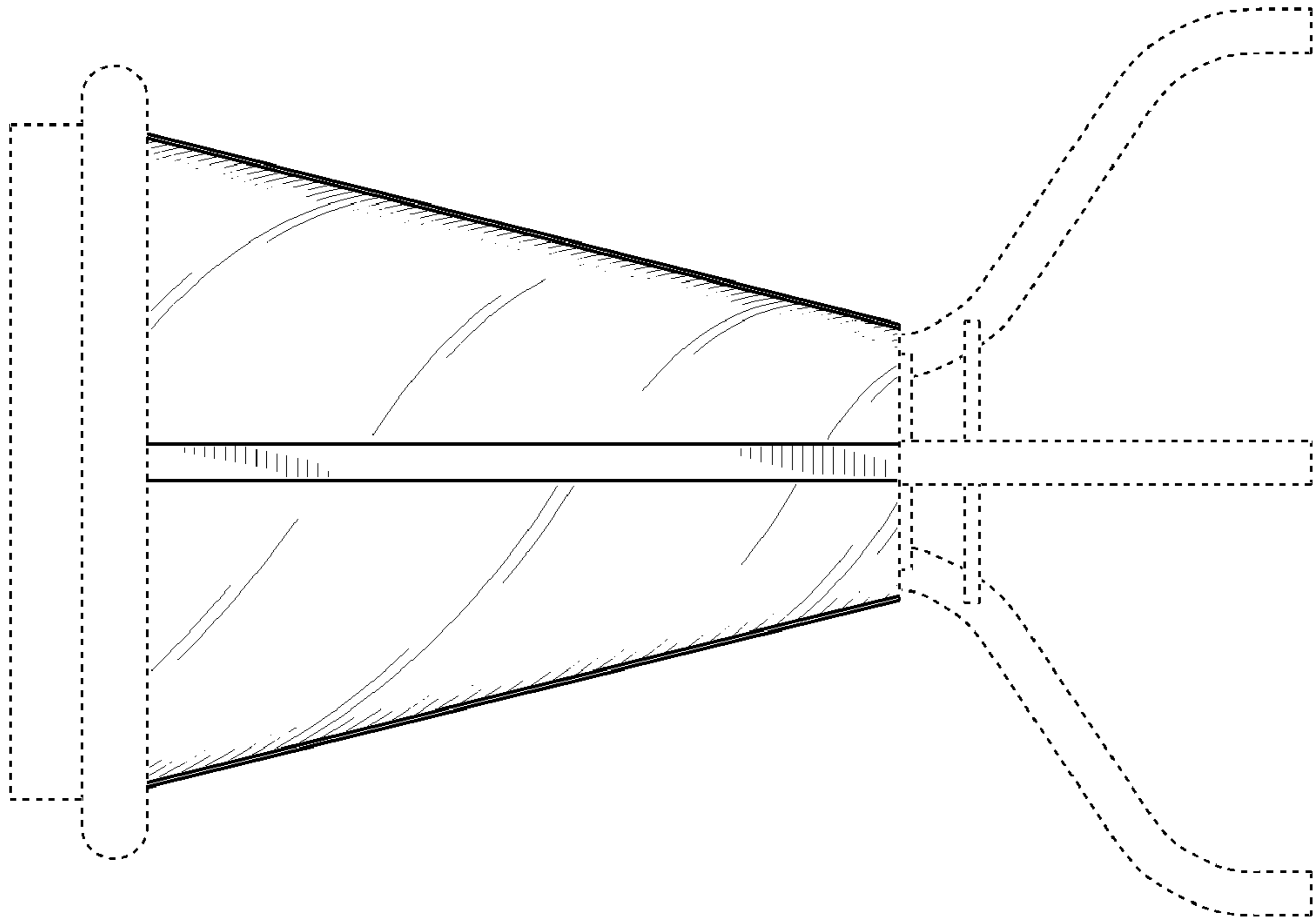


FIG. 3

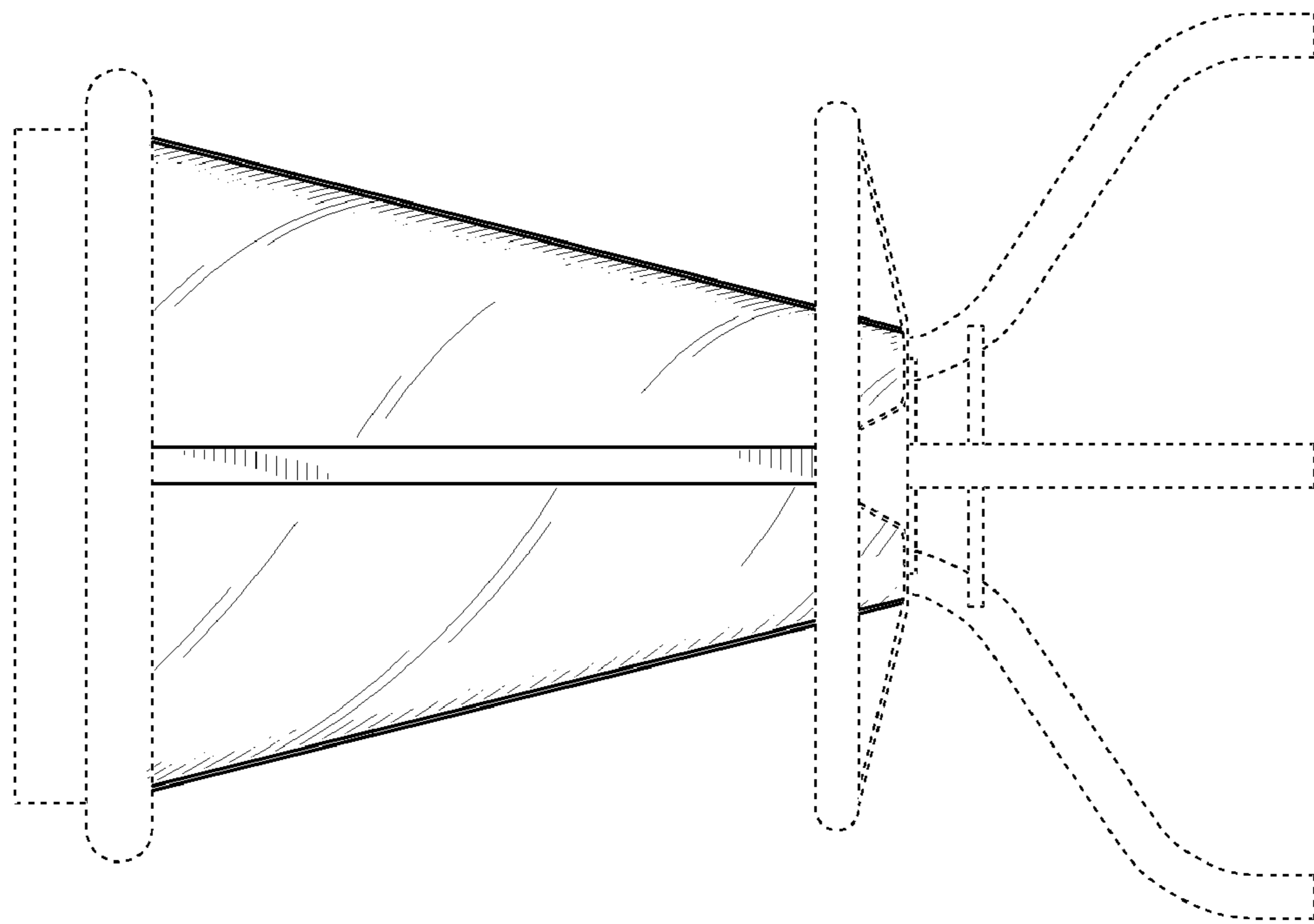


FIG. 2

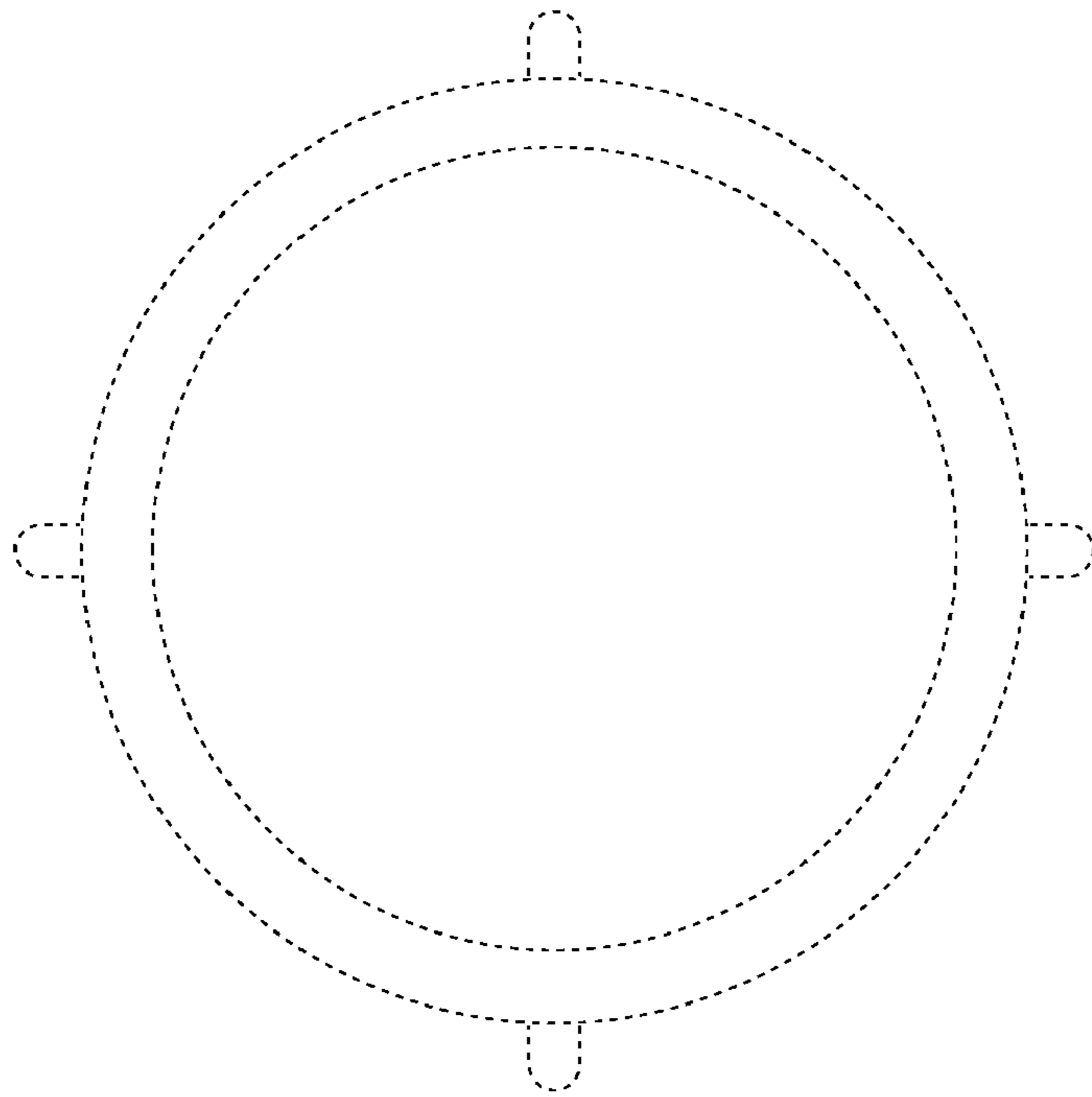


FIG. 4

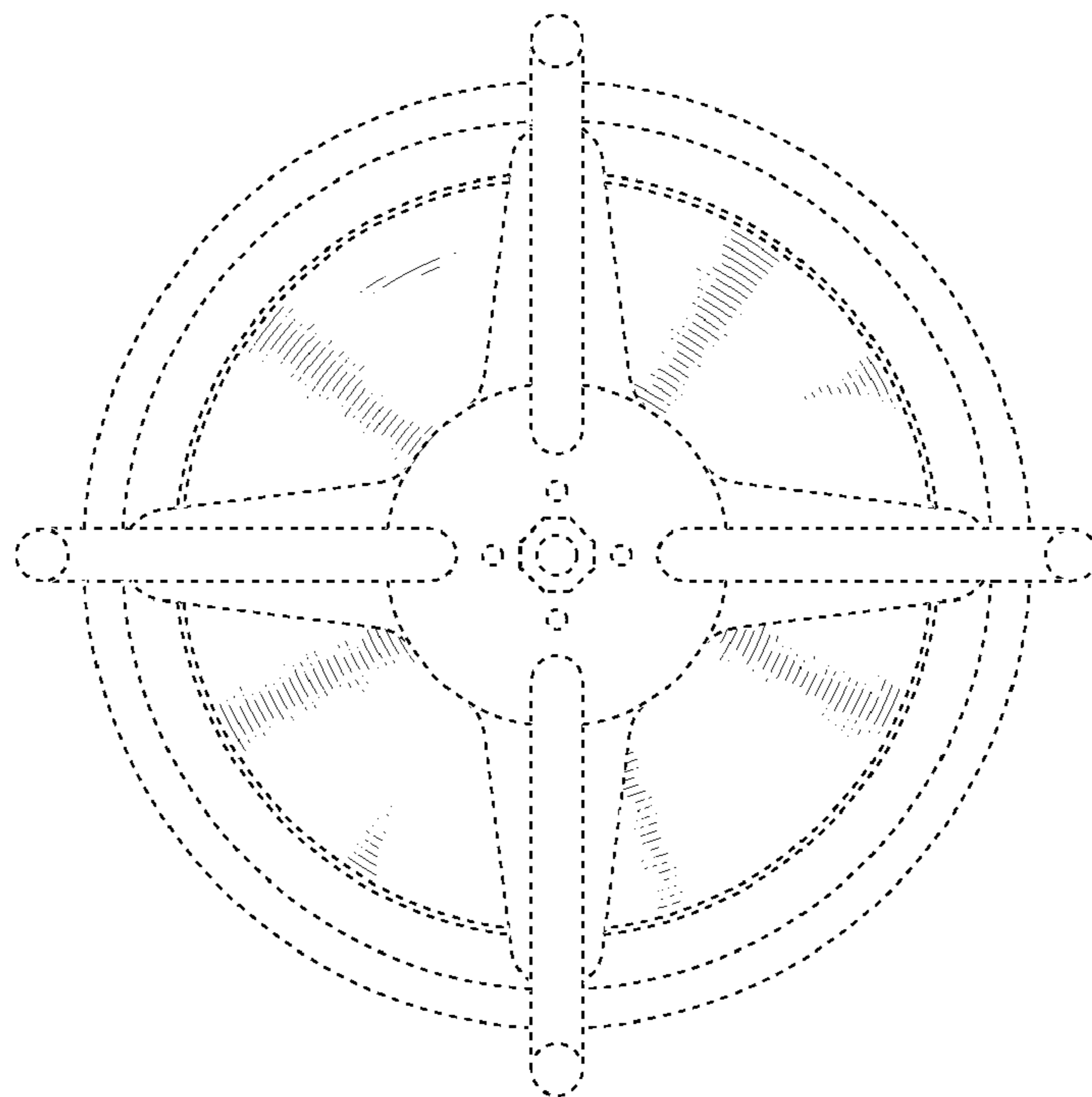


FIG. 5

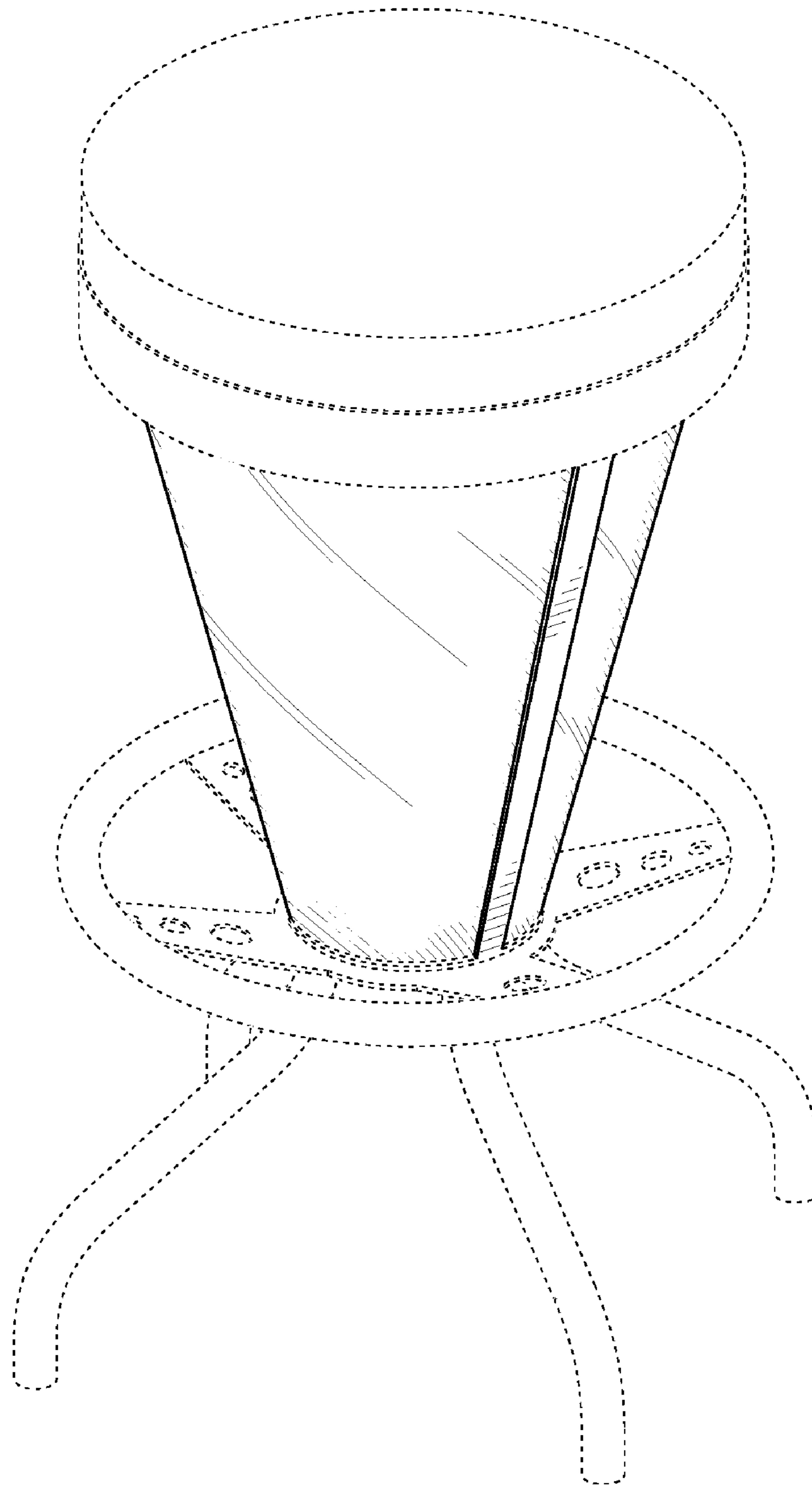


FIG. 6



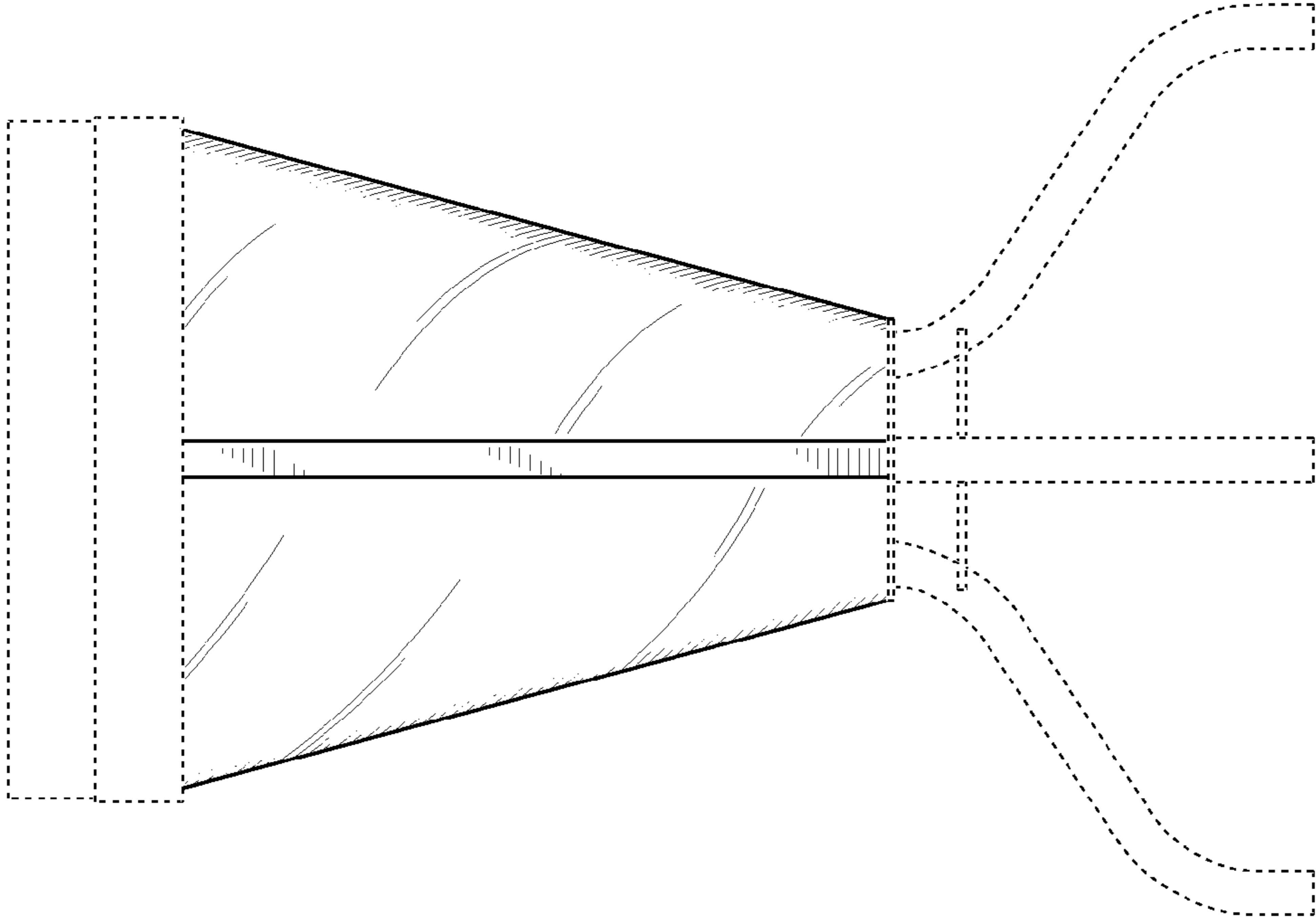


FIG. 8

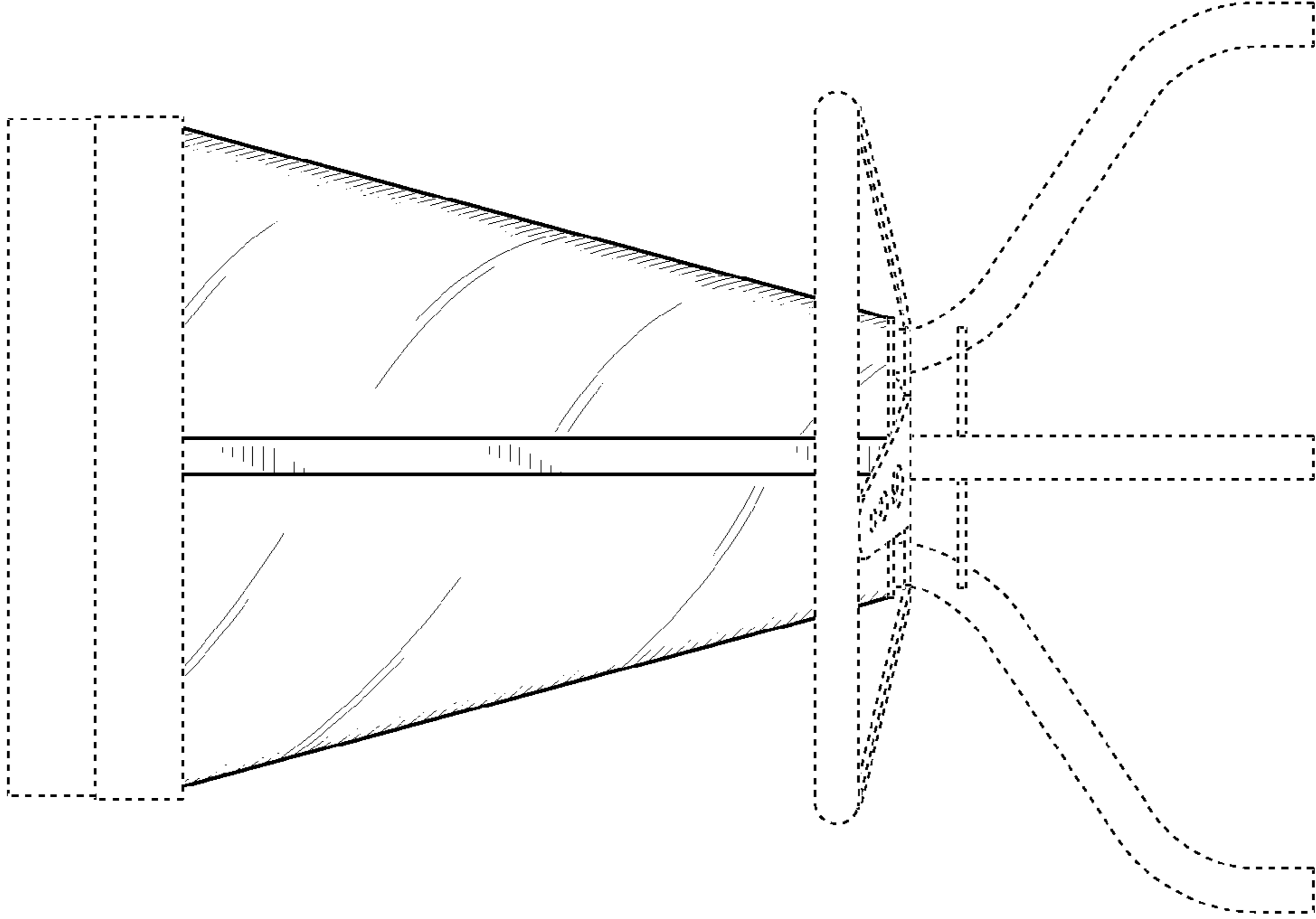


FIG. 7

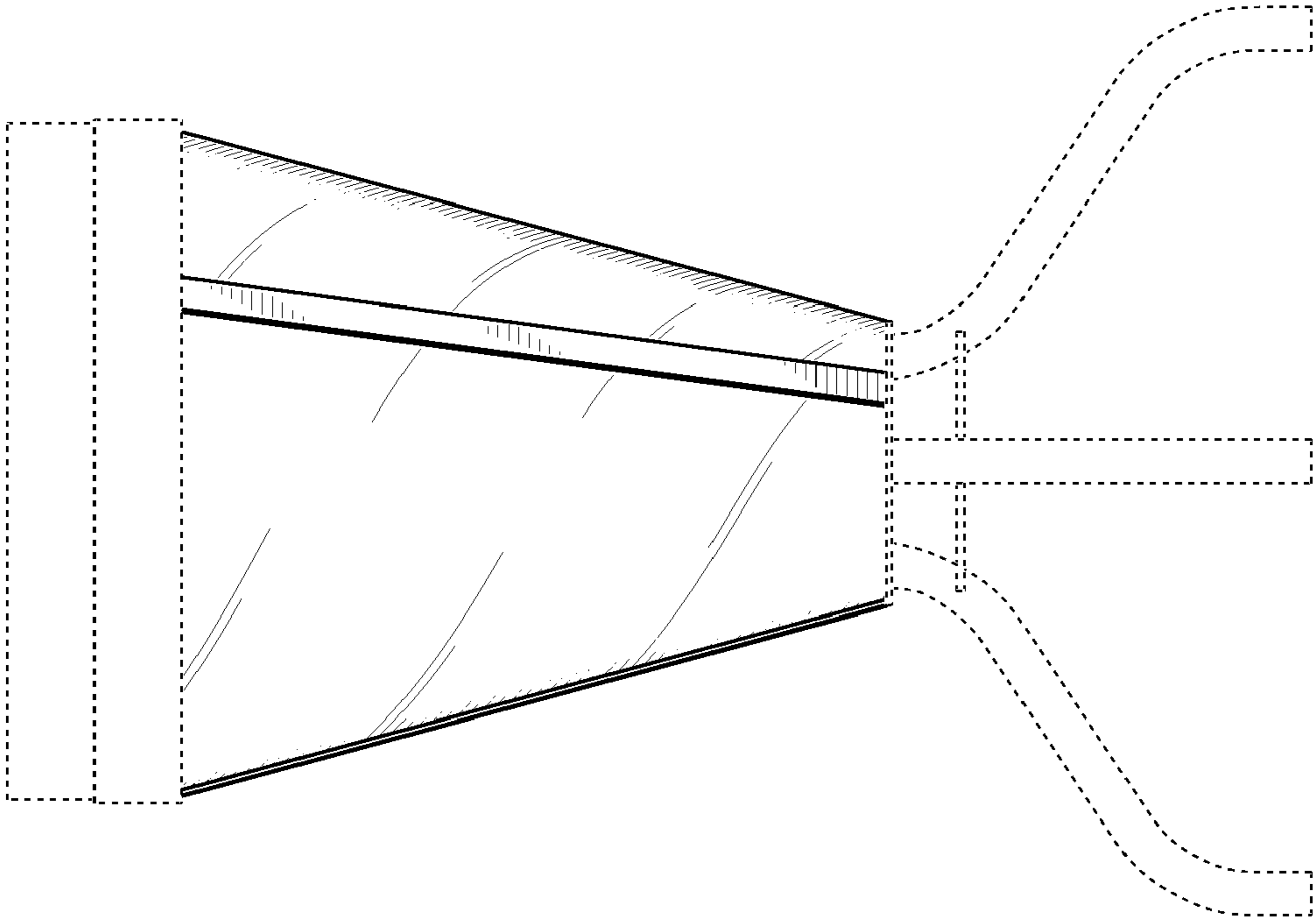


FIG. 9

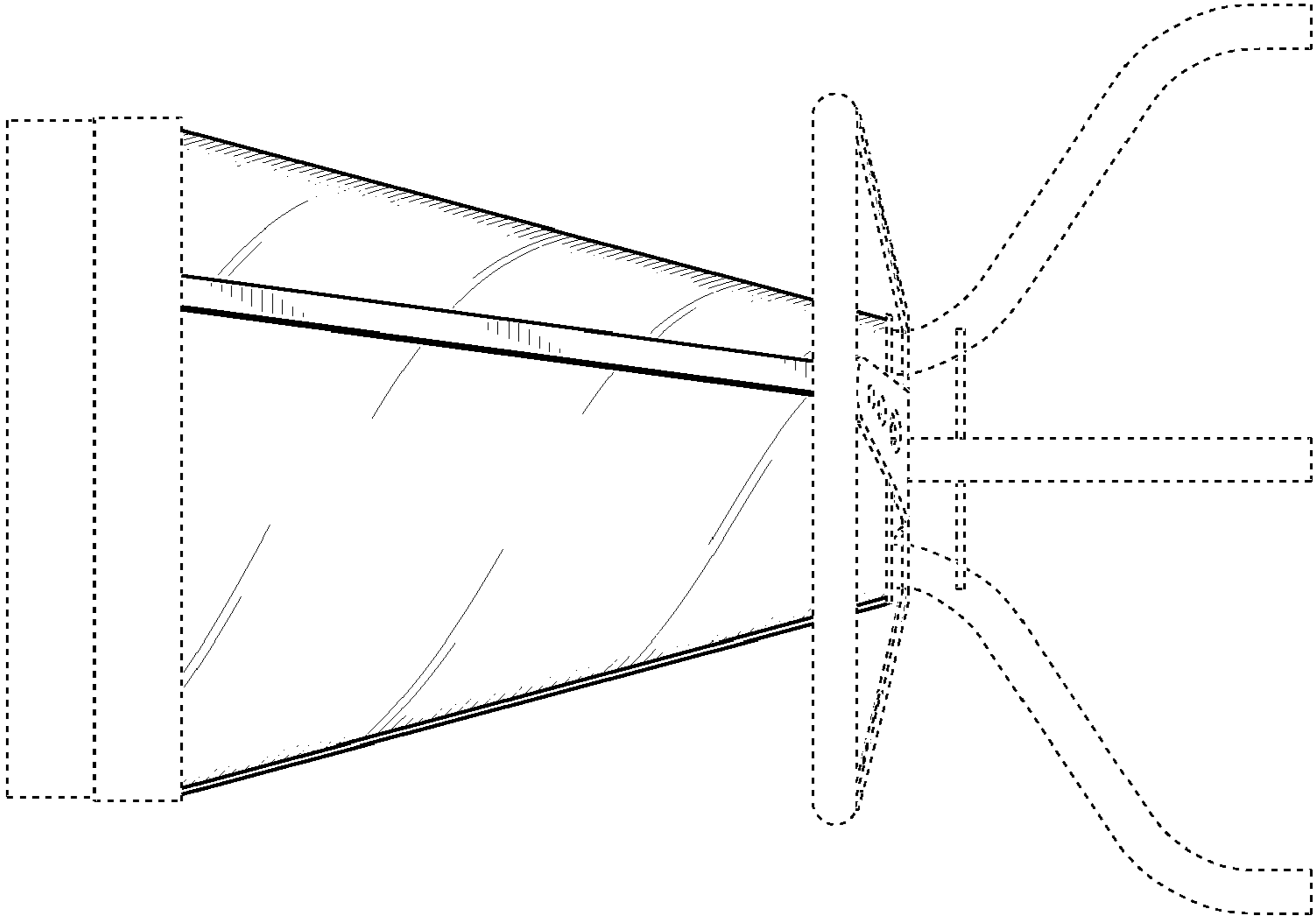


FIG. 10



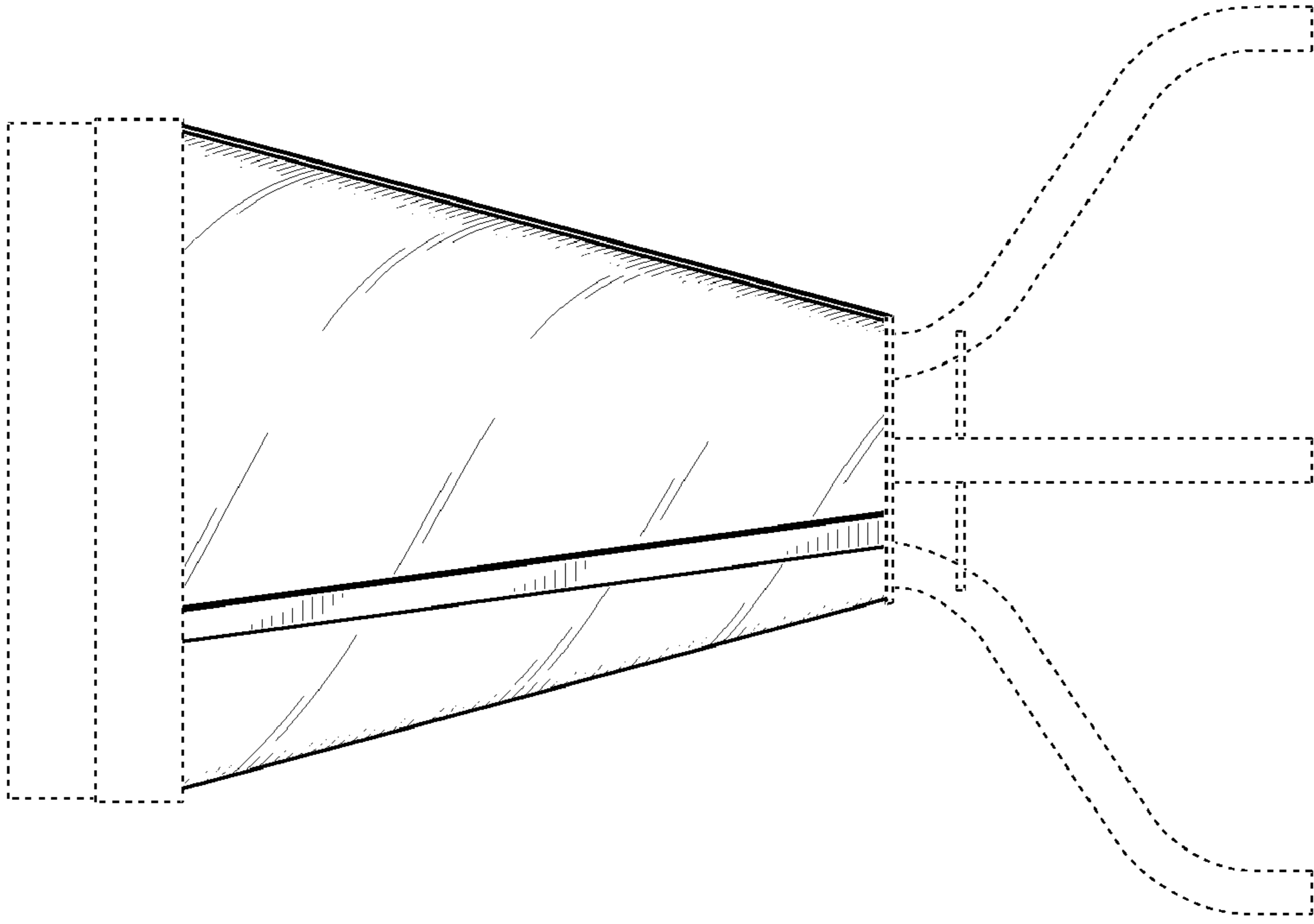


FIG. 12

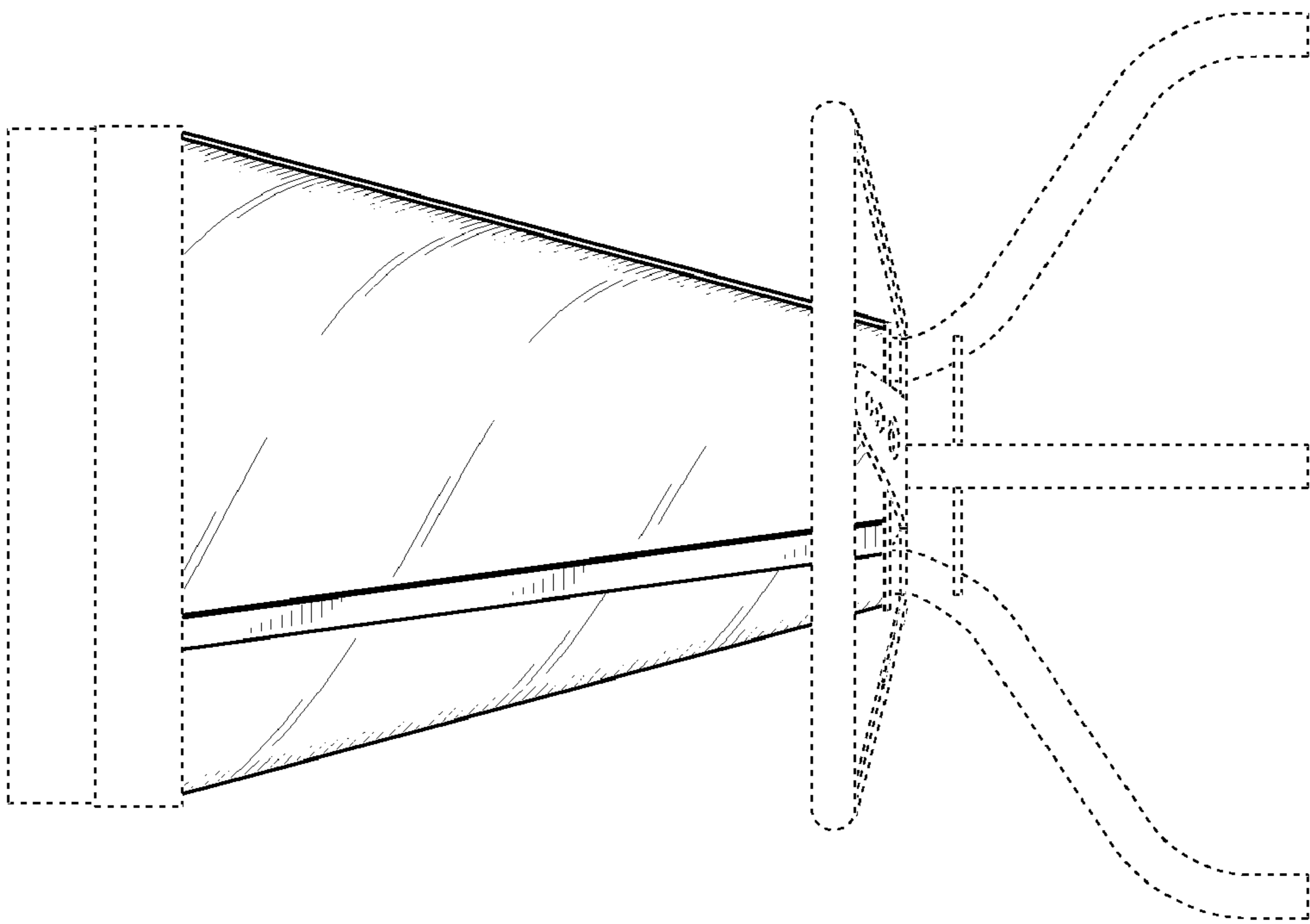


FIG. 11

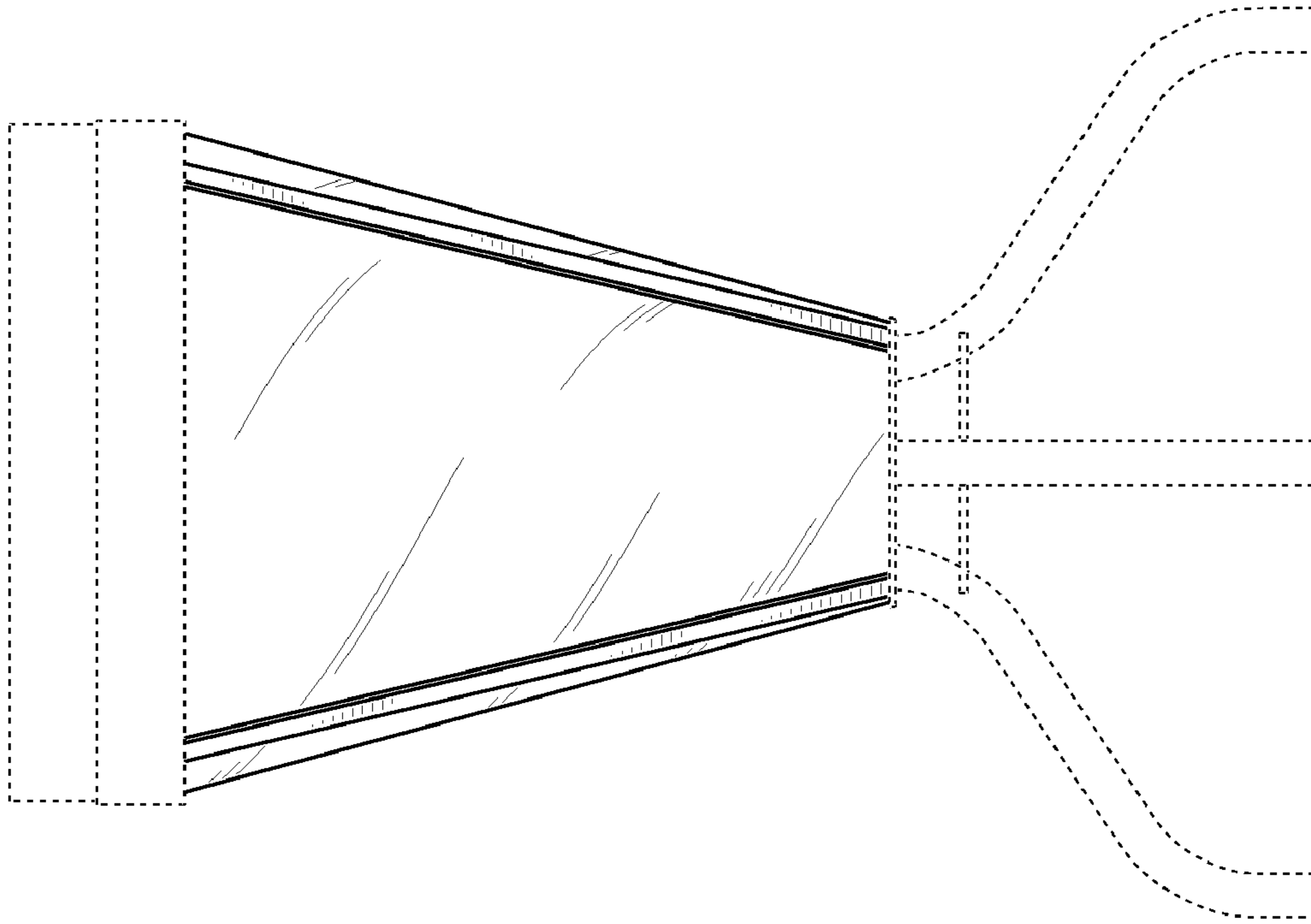


FIG. 14

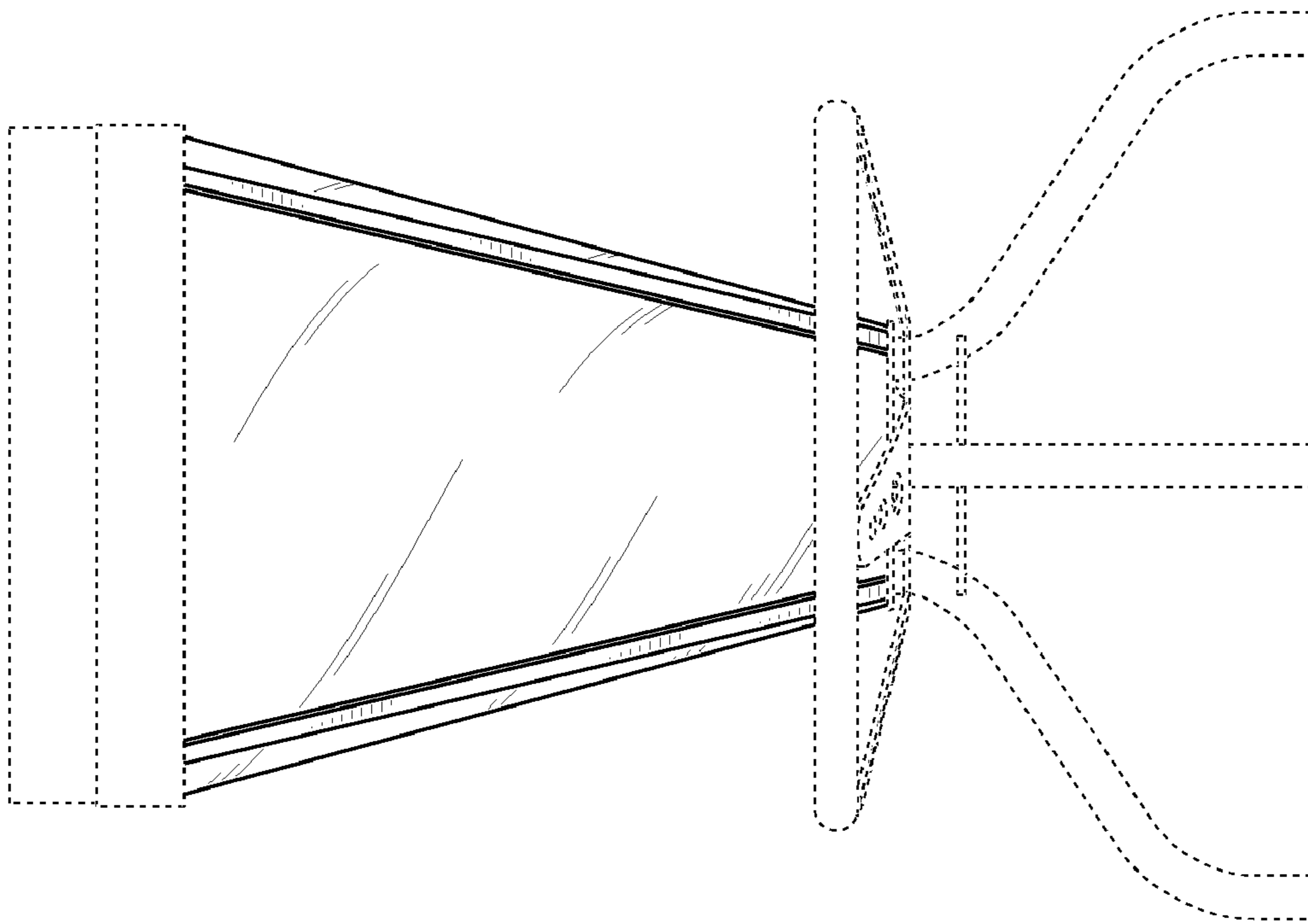


FIG. 13

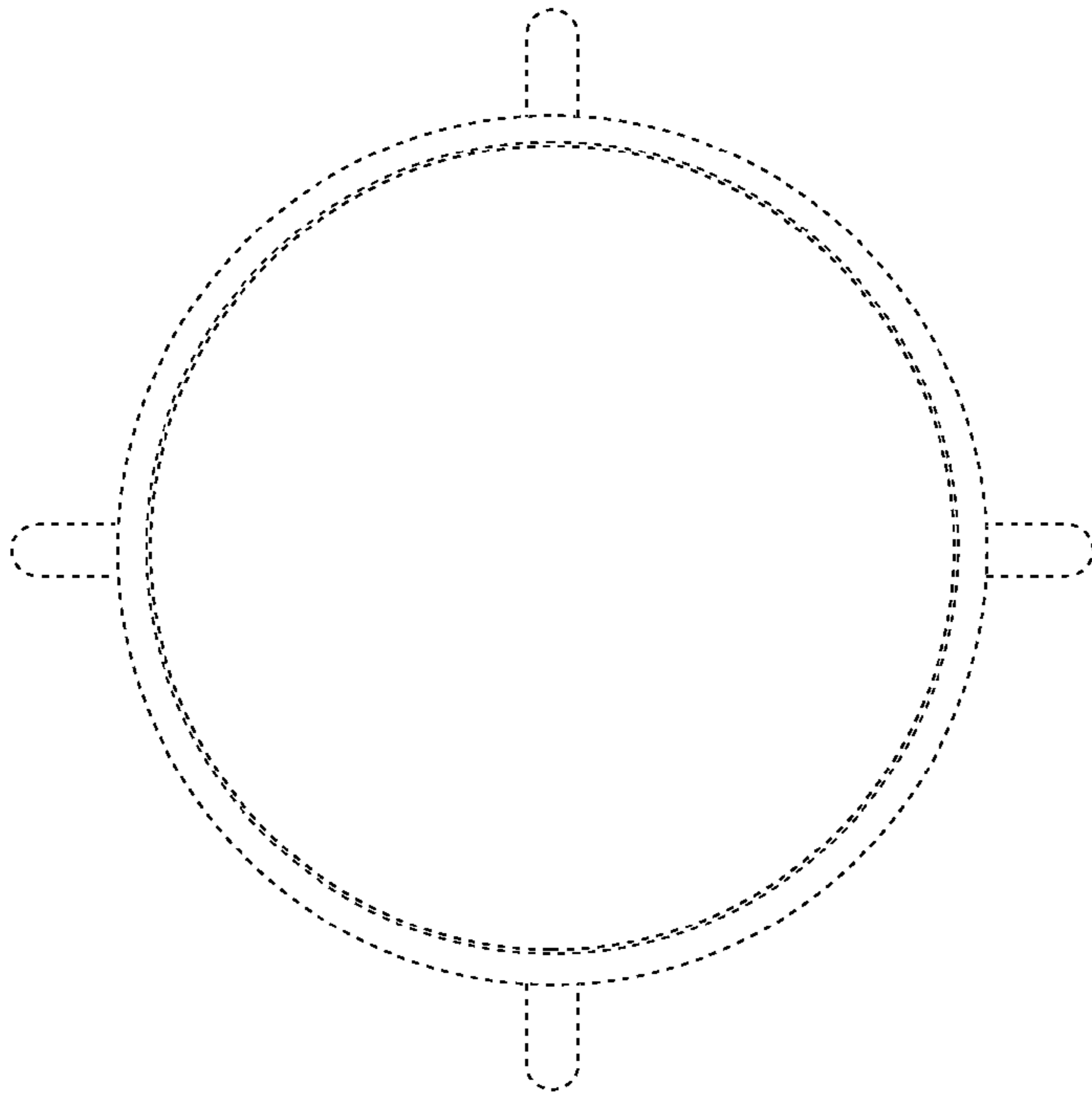


FIG. 15

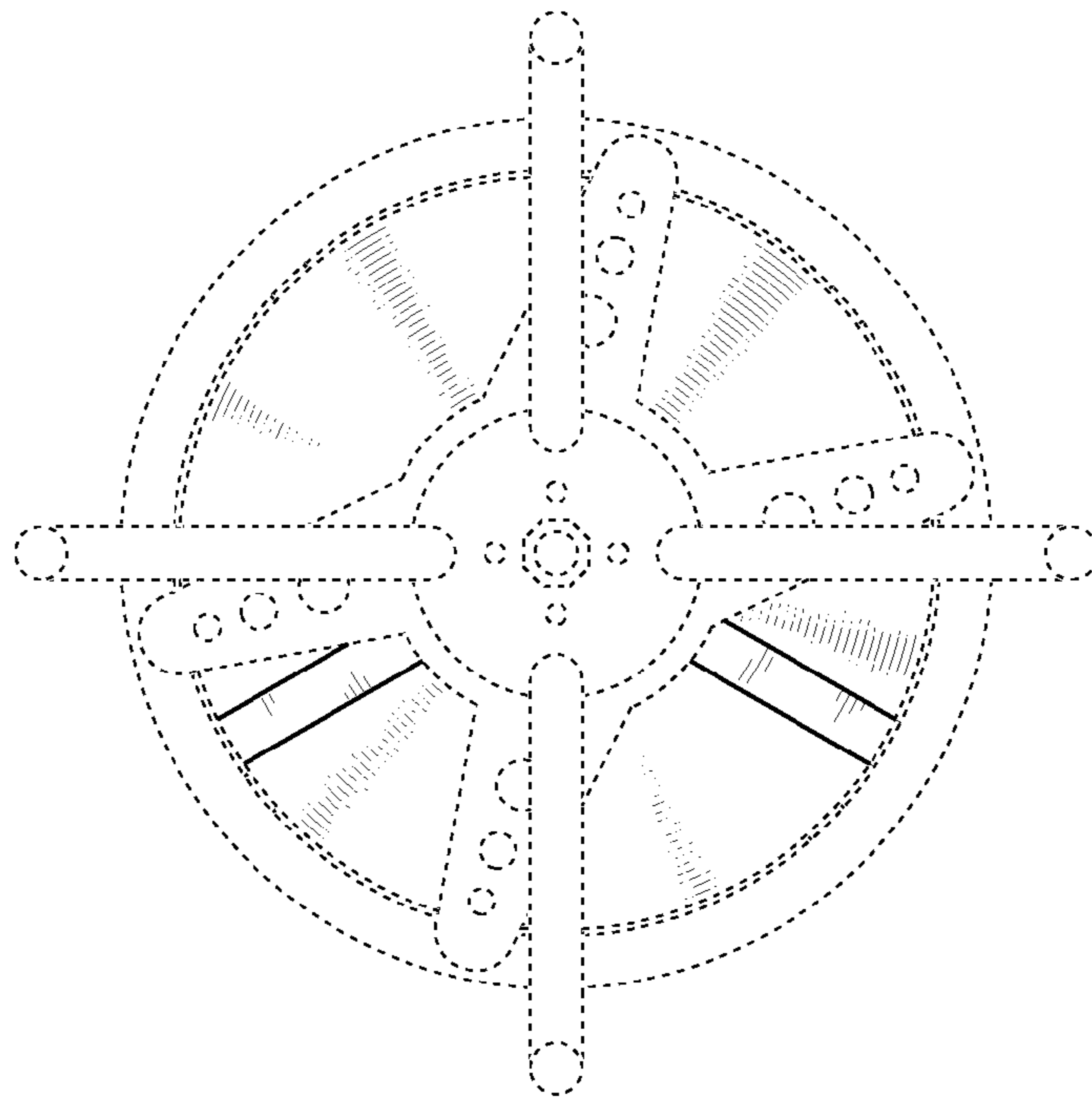


FIG. 16

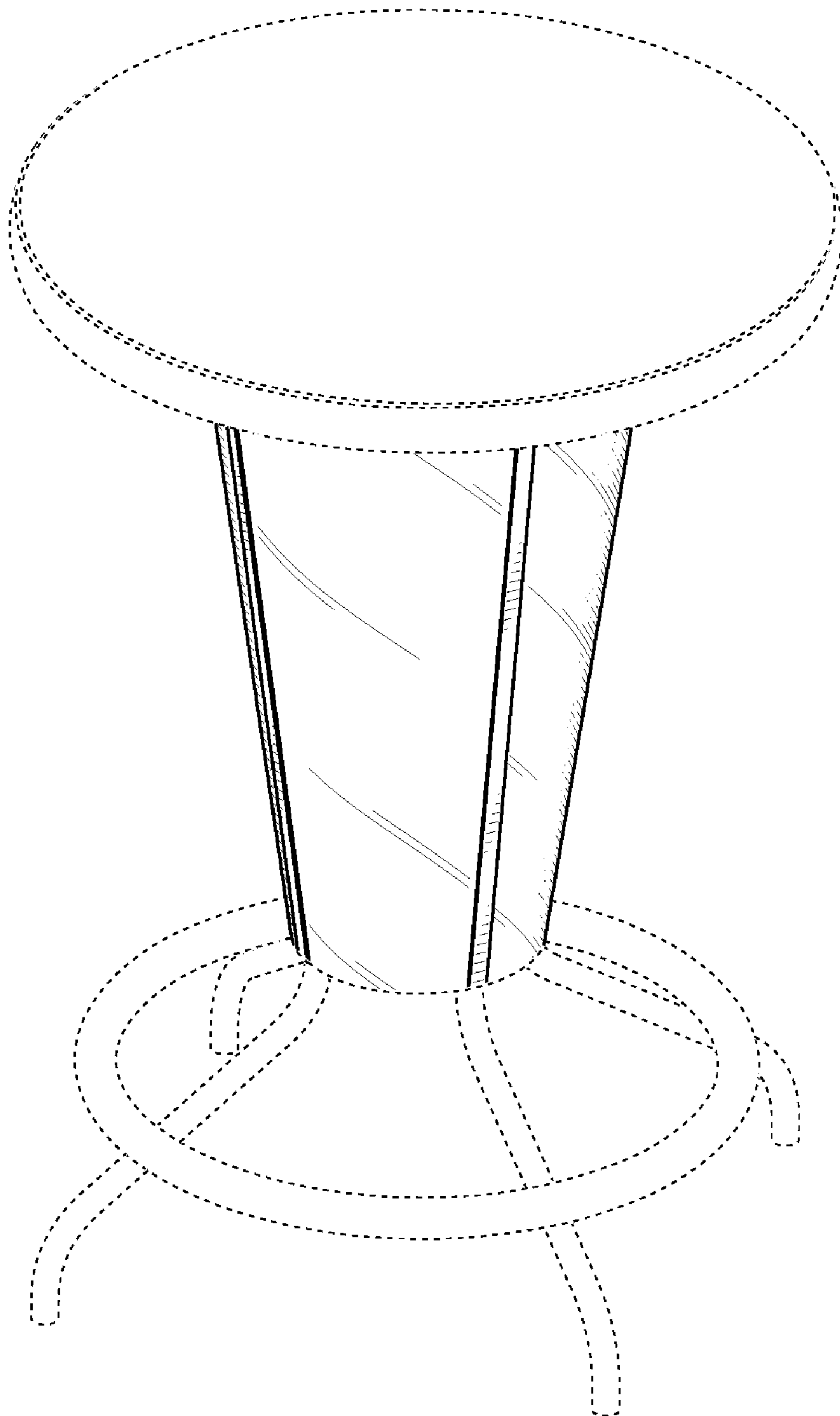


FIG. 17

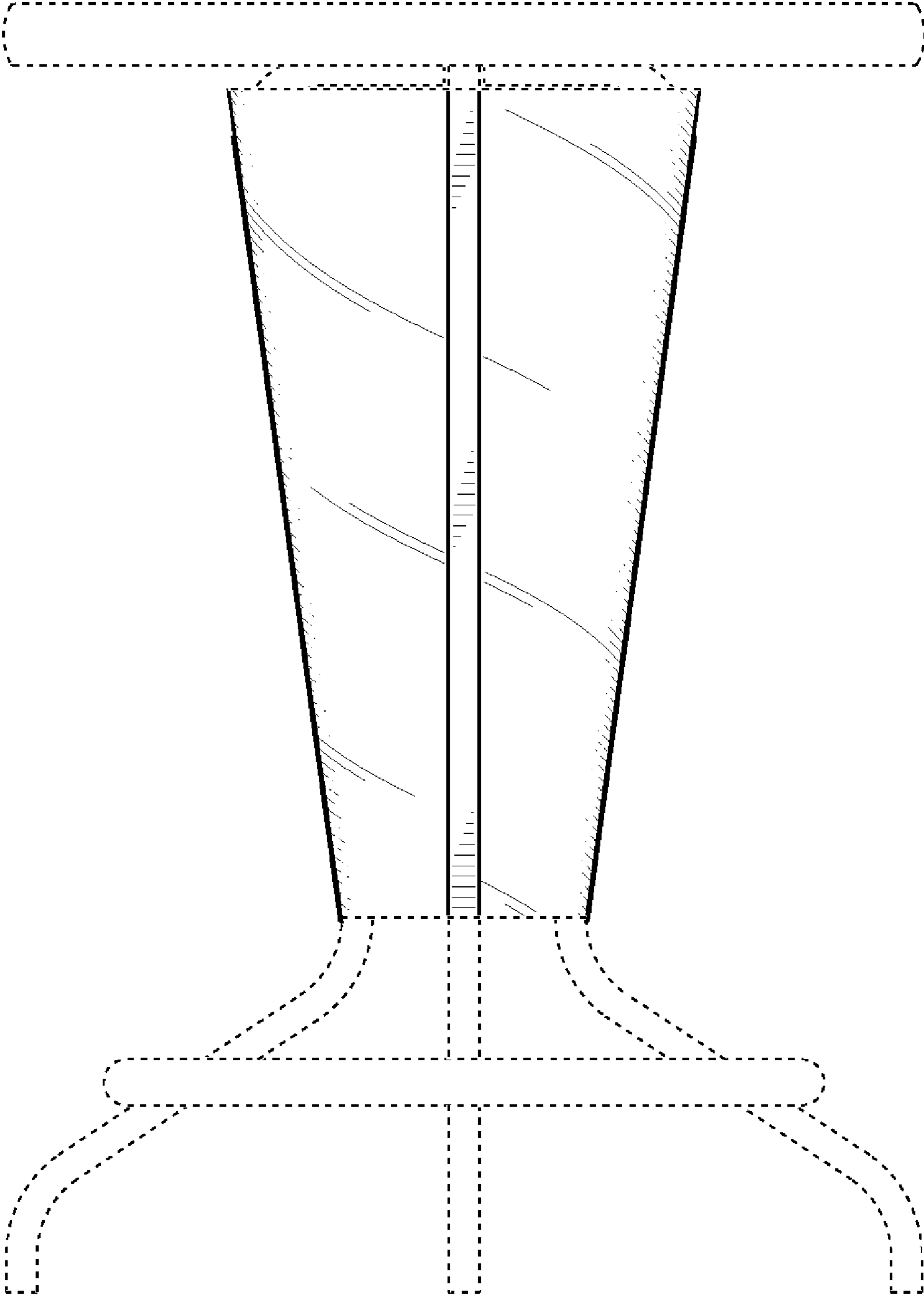


FIG. 18

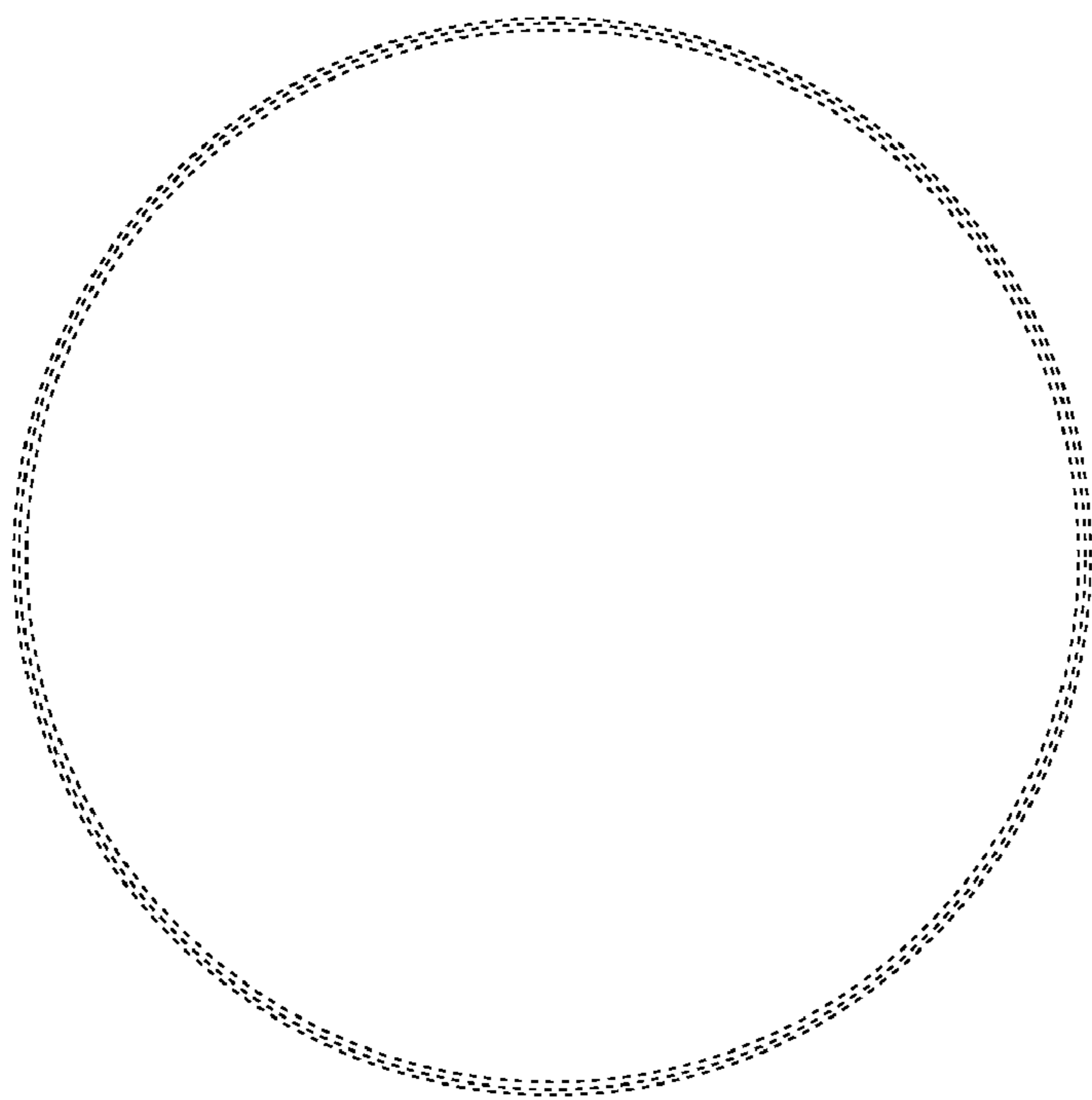


FIG. 19

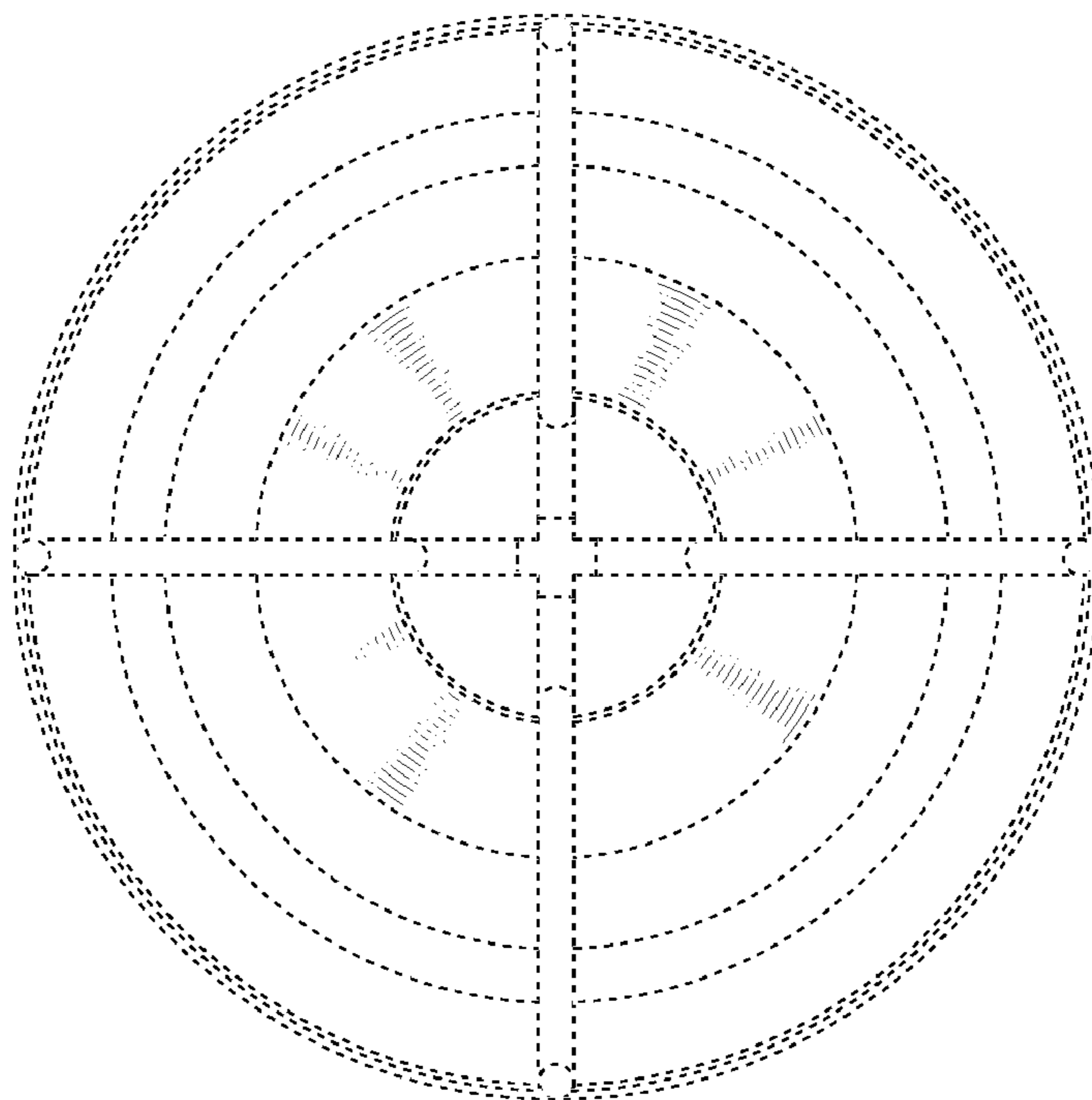


FIG. 20



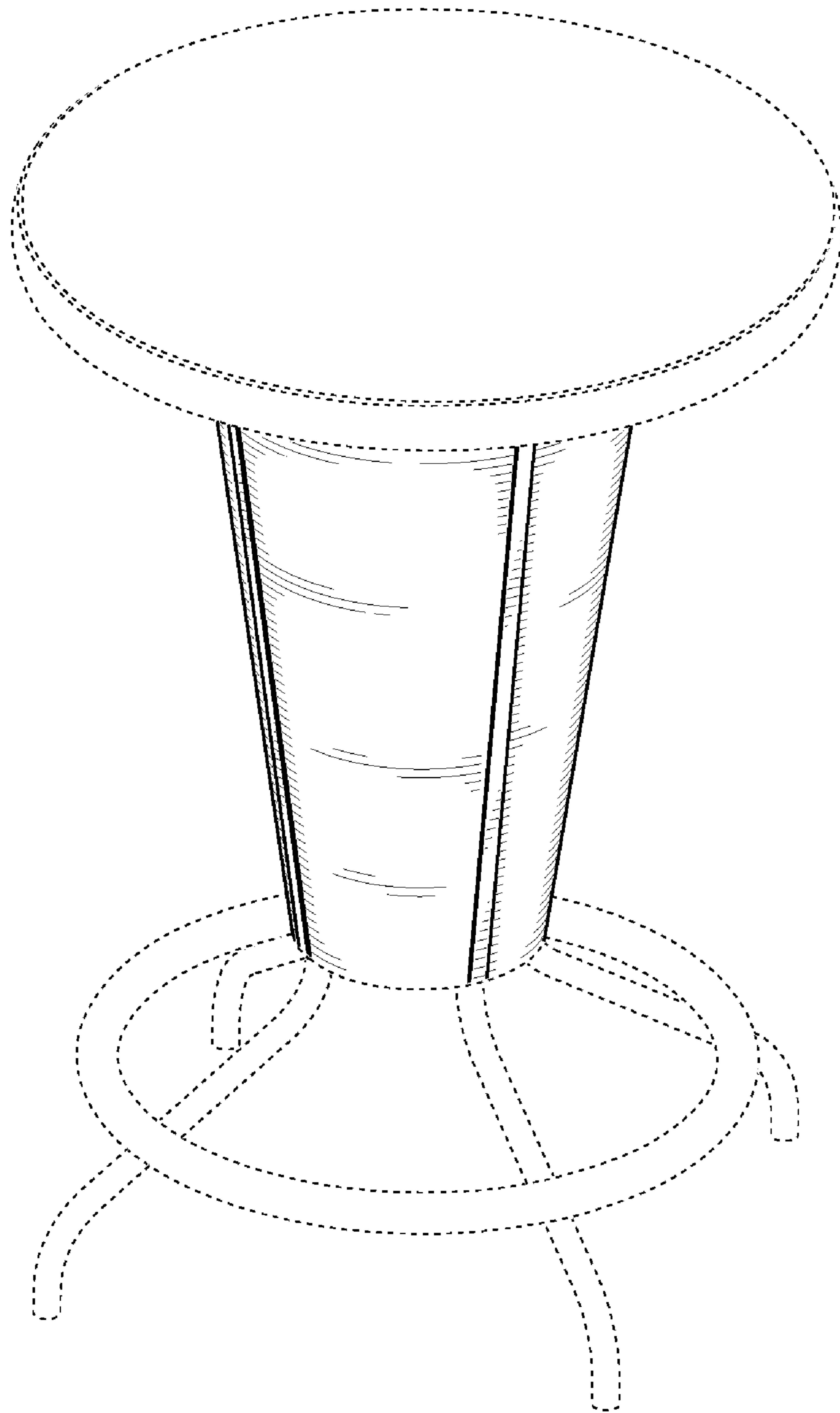


FIG. 21