

US00D566430S

(12) **United States Design Patent**
Austin et al.

(10) **Patent No.:** **US D566,430 S**

(45) **Date of Patent:** **** Apr. 15, 2008**

(54) **CUBE SHELF**

(75) Inventors: **Douglas M. Austin**, Winston-Salem, NC (US); **Earl David Forrest**, Asheboro, NC (US)

(73) Assignee: **Liberty Hardware Mfg. Corp.**, Winston-Salem, NC (US)

(**) Term: **14 Years**

(21) Appl. No.: **29/288,540**

(22) Filed: **Jun. 14, 2007**

(51) **LOC (8) Cl.** **06-04**

(52) **U.S. Cl.** **D6/477**

(58) **Field of Classification Search** D6/477-479, D6/300, 310-312; 211/42, 188; 108/59; 312/107-108, 257.1, 258, 198
See application file for complete search history.

(56) **References Cited**

U.S. PATENT DOCUMENTS

D206,217	S	*	11/1966	Howell	D6/300
3,403,323	A	*	9/1968	Wanlass	323/250
3,655,065	A	*	4/1972	Yellin	211/194
4,258,960	A	*	3/1981	Harris	384/297
4,844,566	A	*	7/1989	Moore et al.	312/108
D409,843	S	*	5/1999	Chevallier	D6/300
5,969,952	A	*	10/1999	Hayashi et al.	361/774
D416,156	S	*	11/1999	Mutti	D6/559
D443,147	S	*	6/2001	Vincent	D6/300

D485,702	S	*	1/2004	Becker	D6/449
6,988,628	B2	*	1/2006	Krieger et al.	211/86.01
7,048,346	B2	*	5/2006	Saravis	312/111
D545,592	S	*	7/2007	Ohayon	D6/478

* cited by examiner

Primary Examiner—Elizabeth A. Albert
Assistant Examiner—Kelley A. Donnelly

(74) *Attorney, Agent, or Firm*—Edgar A. Zarins; Lloyd D. Doigan

(57) **CLAIM**

The ornamental design for a cube shelf, as shown and described.

DESCRIPTION

FIG. 1 is a perspective view of a cube shelf showing our new design;

FIG. 2 is a front elevational view thereof;

FIG. 3 is a right side view thereof;

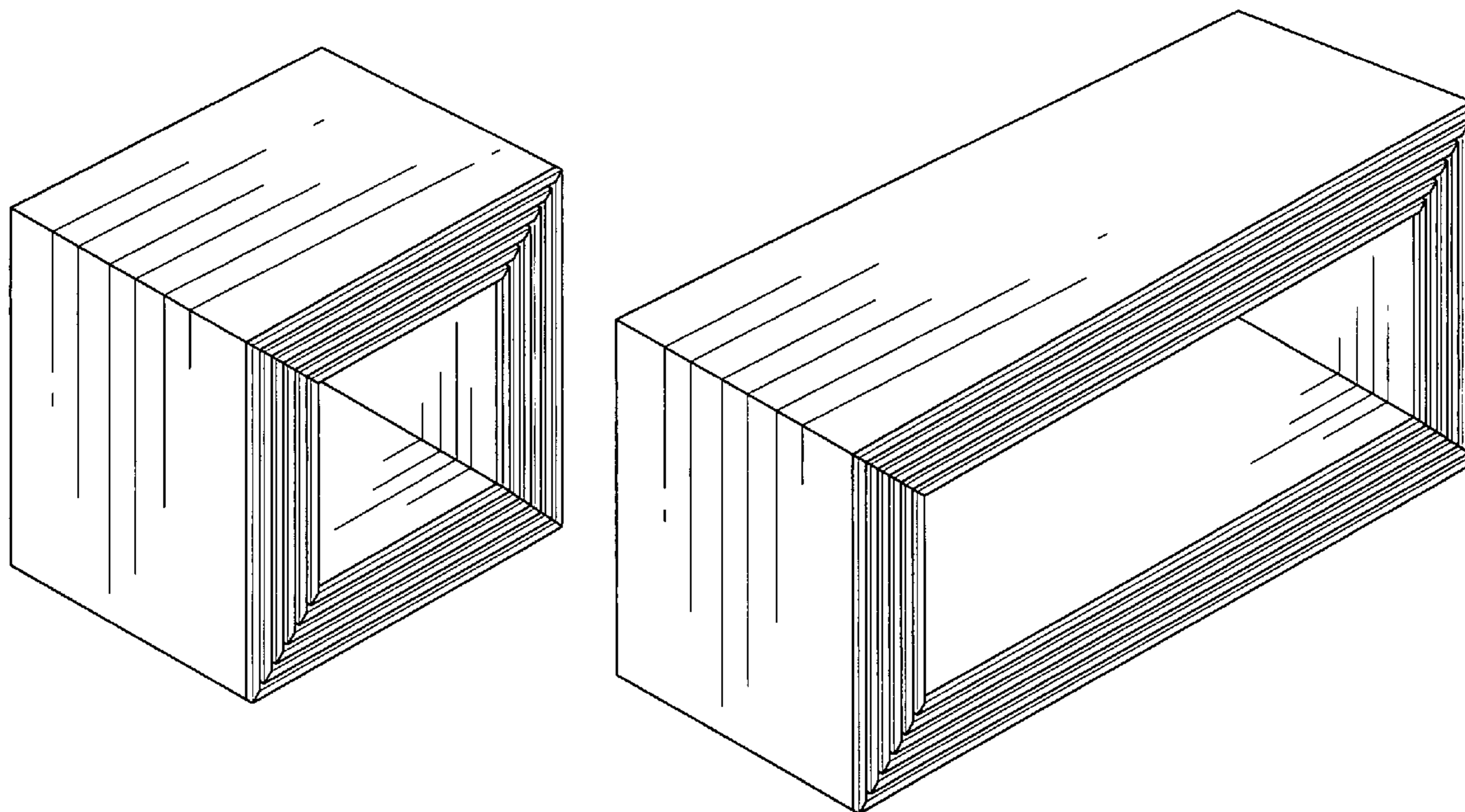
FIG. 4 is a perspective view of an alternative embodiment thereof;

FIG. 5 is a front elevational view thereof; and,

FIG. 6 is a right side view thereof, the opposite side being a mirror image of the side shown.

The broken line showing the inside of the cube shelf is included for the purpose of illustrating environment and forms no part of the claimed design.

1 Claim, 2 Drawing Sheets



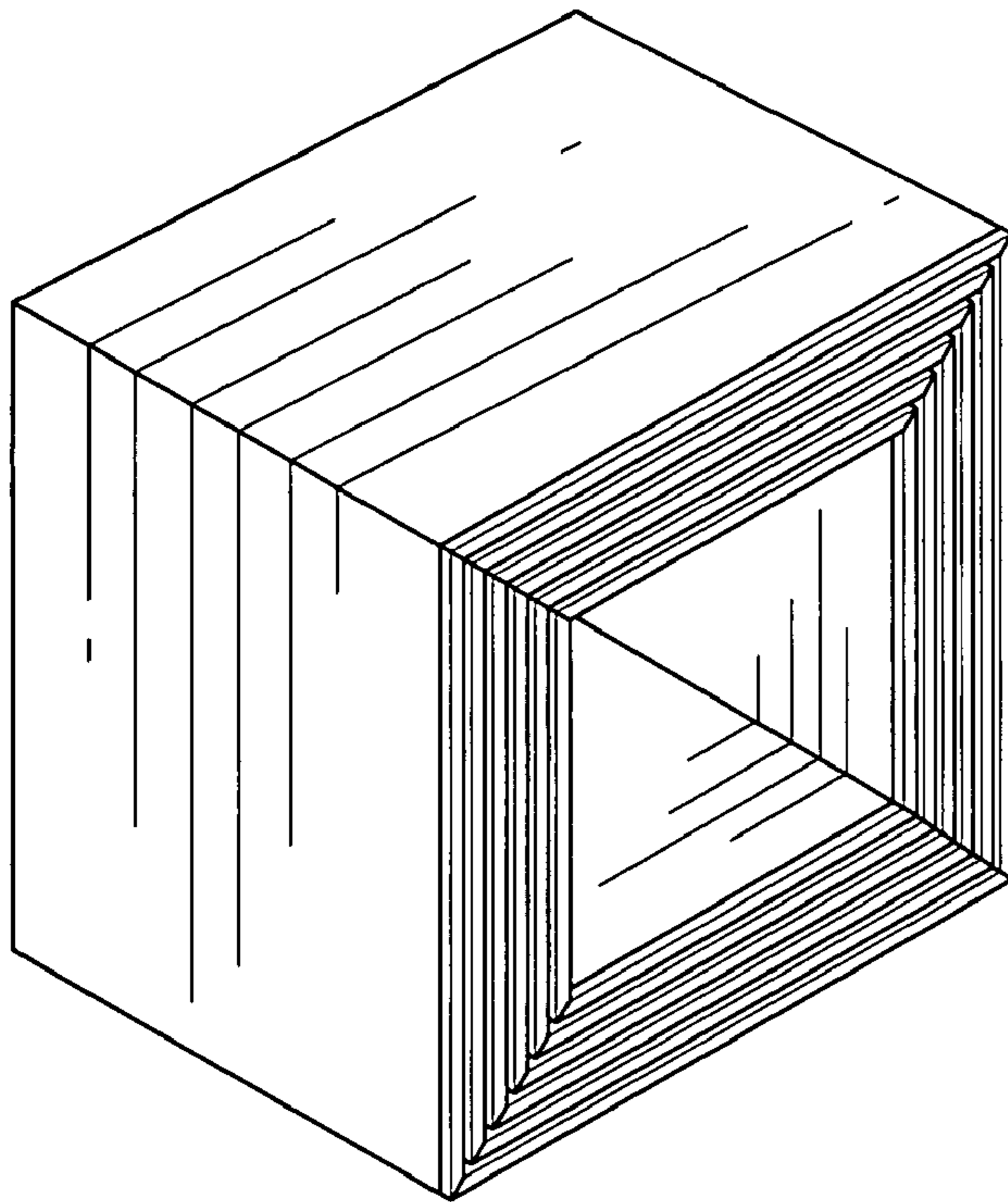


Fig-1

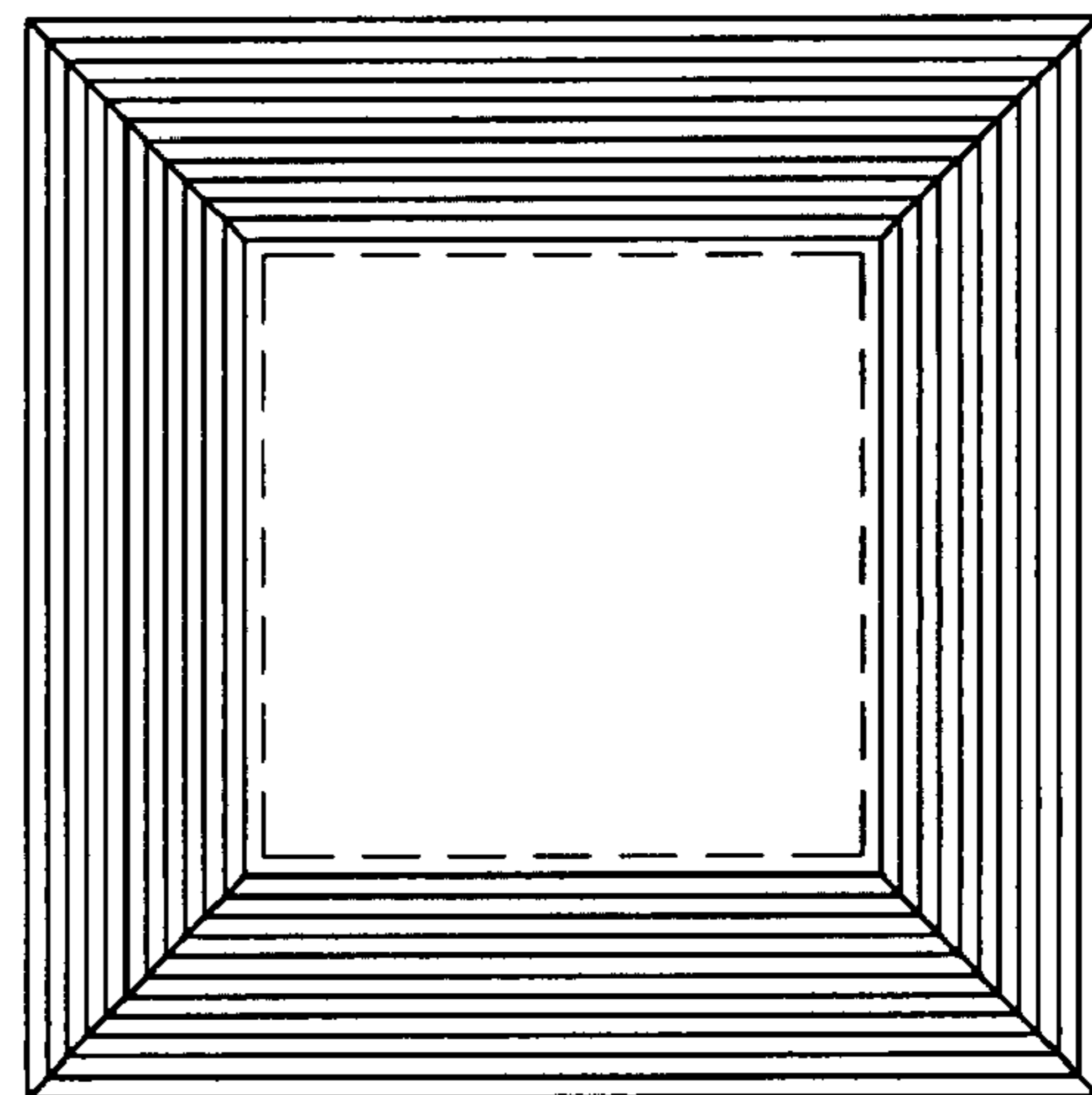


Fig-2

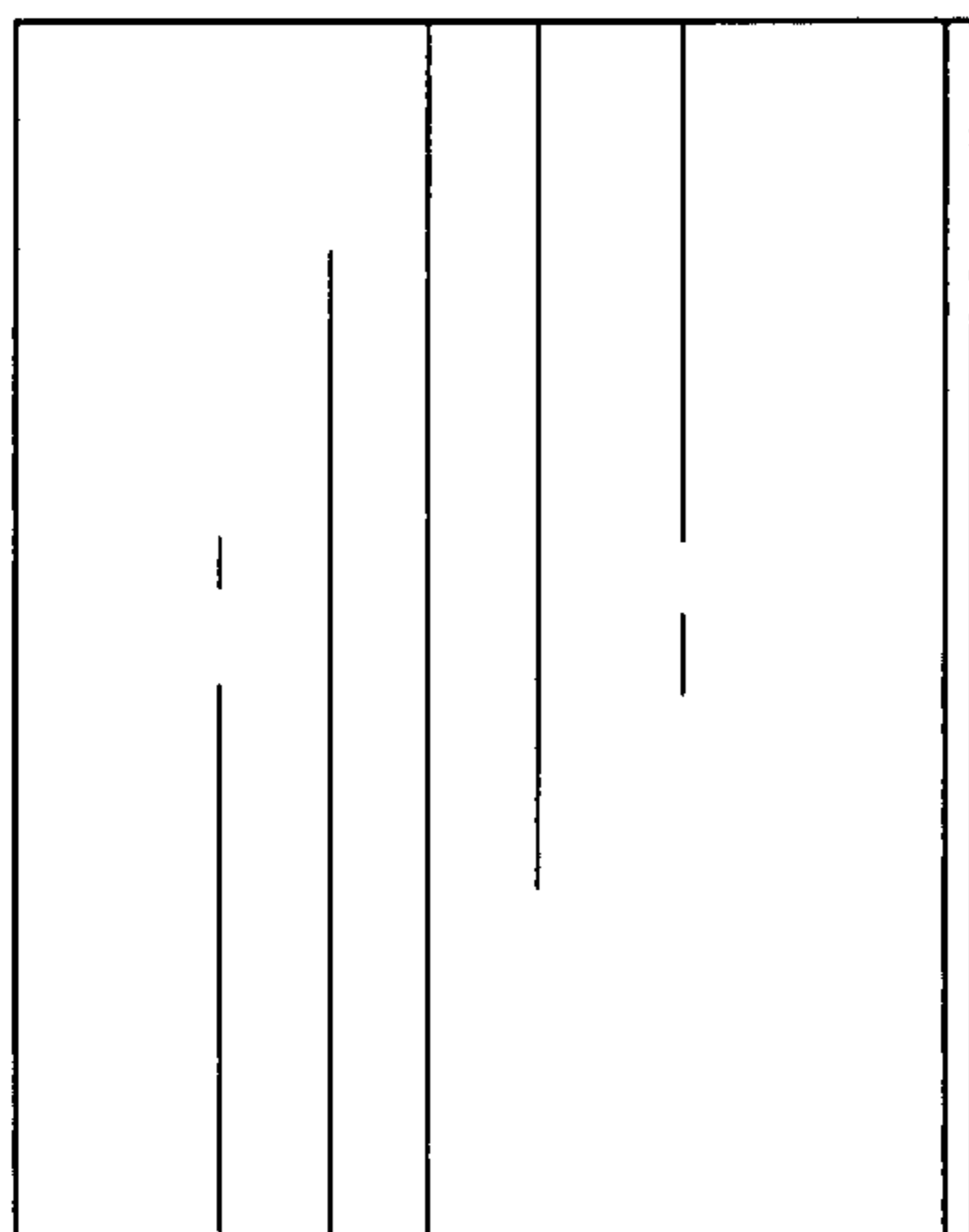


Fig-3

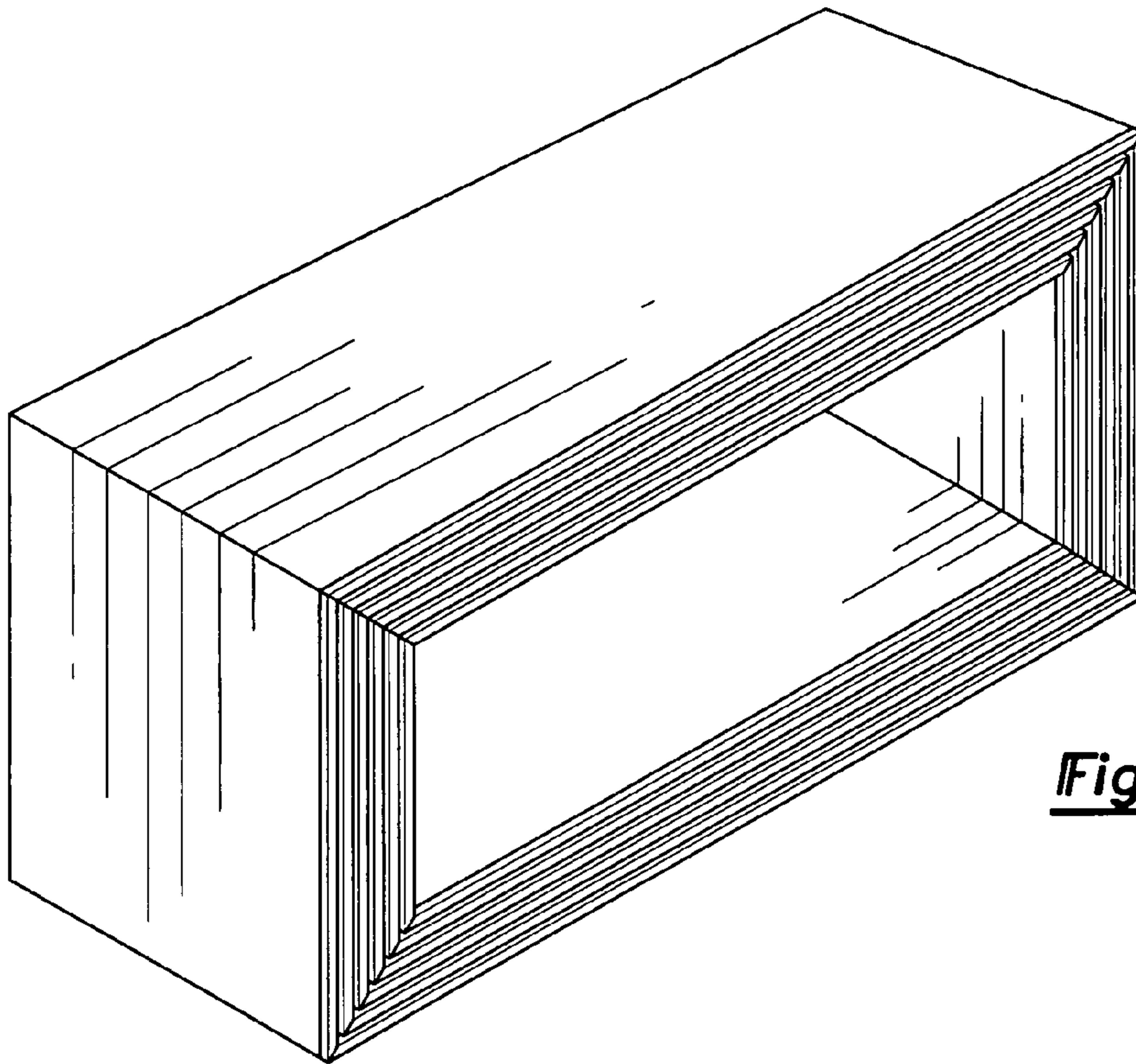


Fig-4

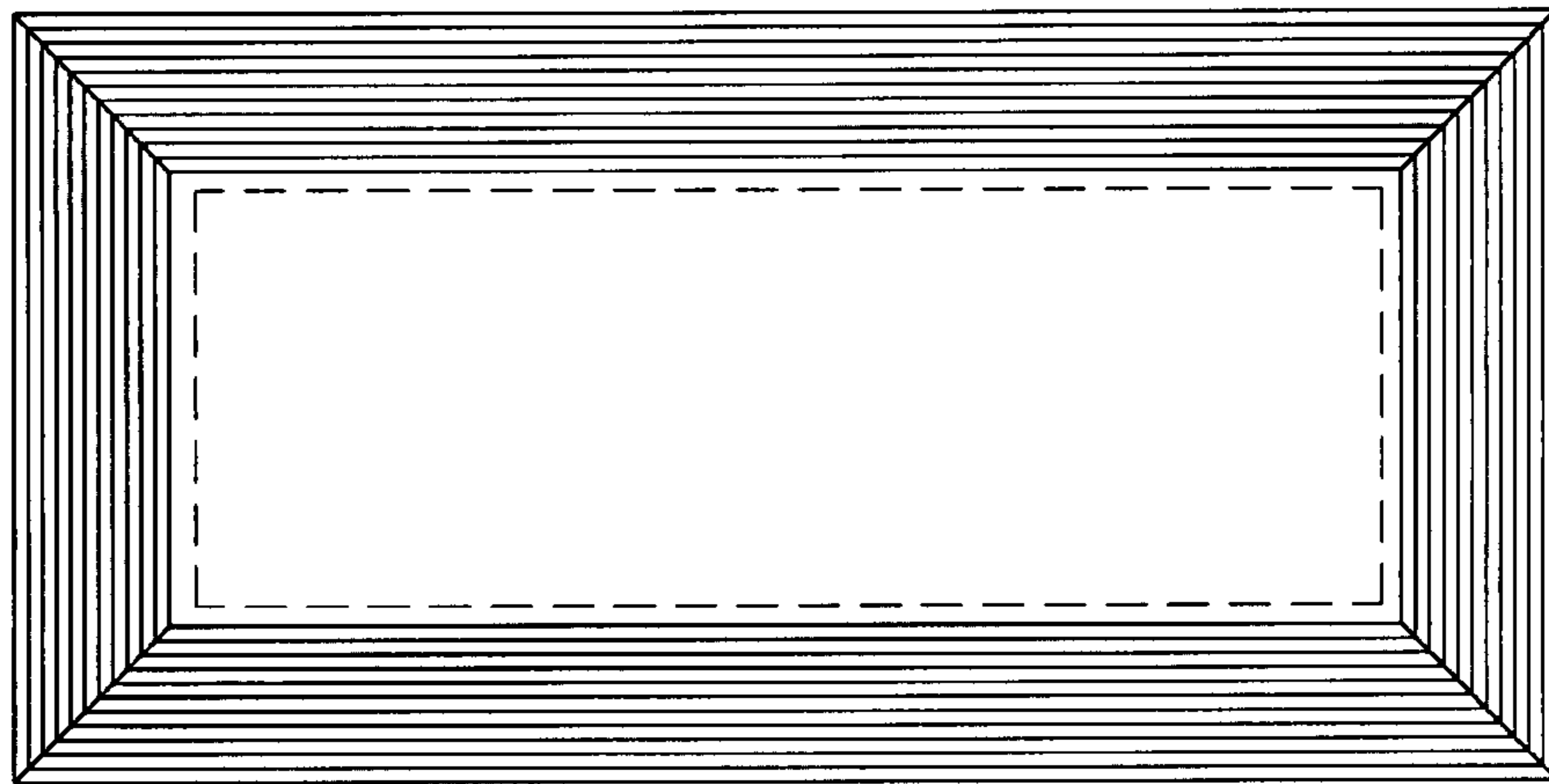


Fig-5

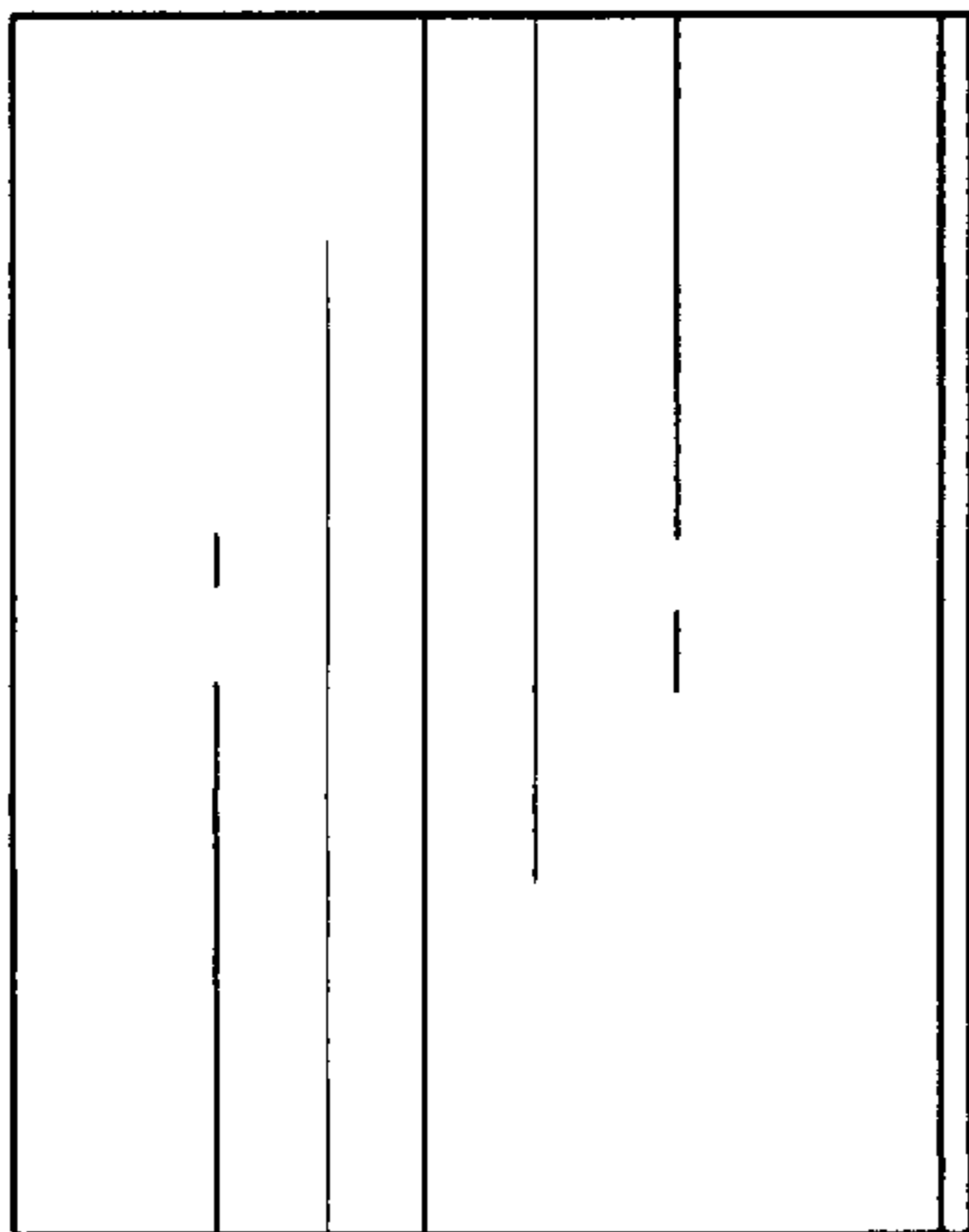


Fig-6