



US00D566429S

(12) **United States Design Patent**
Roberts

(10) **Patent No.:** **US D566,429 S**

(45) **Date of Patent:** **** Apr. 15, 2008**

(54) **TABLE**

D522,770 S * 6/2006 Easton D6/436

(75) Inventor: **Gary B. Roberts**, Solon, OH (US)

OTHER PUBLICATIONS

(73) Assignee: **G.B. Roberts, LLC**, Cleveland, OH (US)

American Art Deco, Alistair Duncan, 1999.

* cited by examiner

(**) Term: **14 Years**

Primary Examiner—Cathron C. Brooks

Assistant Examiner—Kelley A. Donnelly

(21) Appl. No.: **29/281,364**

(74) *Attorney, Agent, or Firm*—Calfee, Halter & Griswold LLP

(22) Filed: **Jun. 21, 2007**

(57) **CLAIM**

Related U.S. Application Data

I claim the ornamental design for a table, as shown and described.

(62) Division of application No. 29/265,486, filed on Sep. 1, 2006.

DESCRIPTION

(51) **LOC (8) Cl.** **06-04**

(52) **U.S. Cl.** **D6/477**

(58) **Field of Classification Search** D6/473–474, D6/477–479, 630; 108/59, 65–66, 91–93, 108/106–107, 180, 144.1, 147.11; 211/34, 211/36, 42, 134

See application file for complete search history.

FIG. 1 is a front/left/top isometric view of a first embodiment of the table;

FIG. 2 is a front elevational view thereof, for which the rear elevational view would be a mirror image of FIG. 2;

FIG. 3 is a left side elevational view thereof;

FIG. 4 is a right side elevational view thereof;

FIG. 5 is a top plan view thereof; and

FIG. 6 is a bottom plan view thereof.

FIG. 7 is a front/left/top isometric view of a second embodiment;

FIG. 8 is a right side elevational view thereof; and,

FIG. 9 is a front elevational view thereof; the rear elevational view would be a mirror image, and for which the left side, top, and bottom views would be the same as 3 and 5–6 respectively.

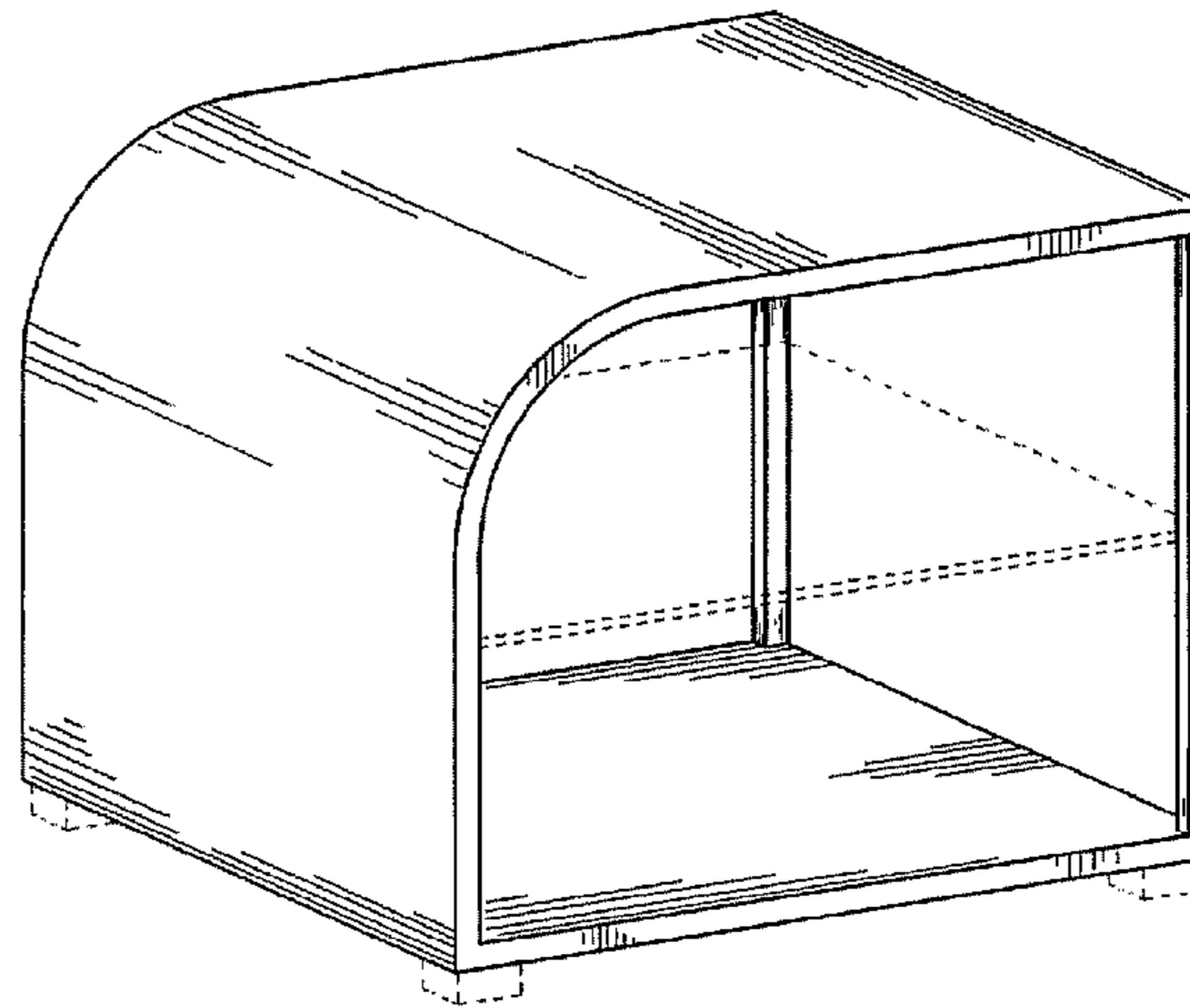
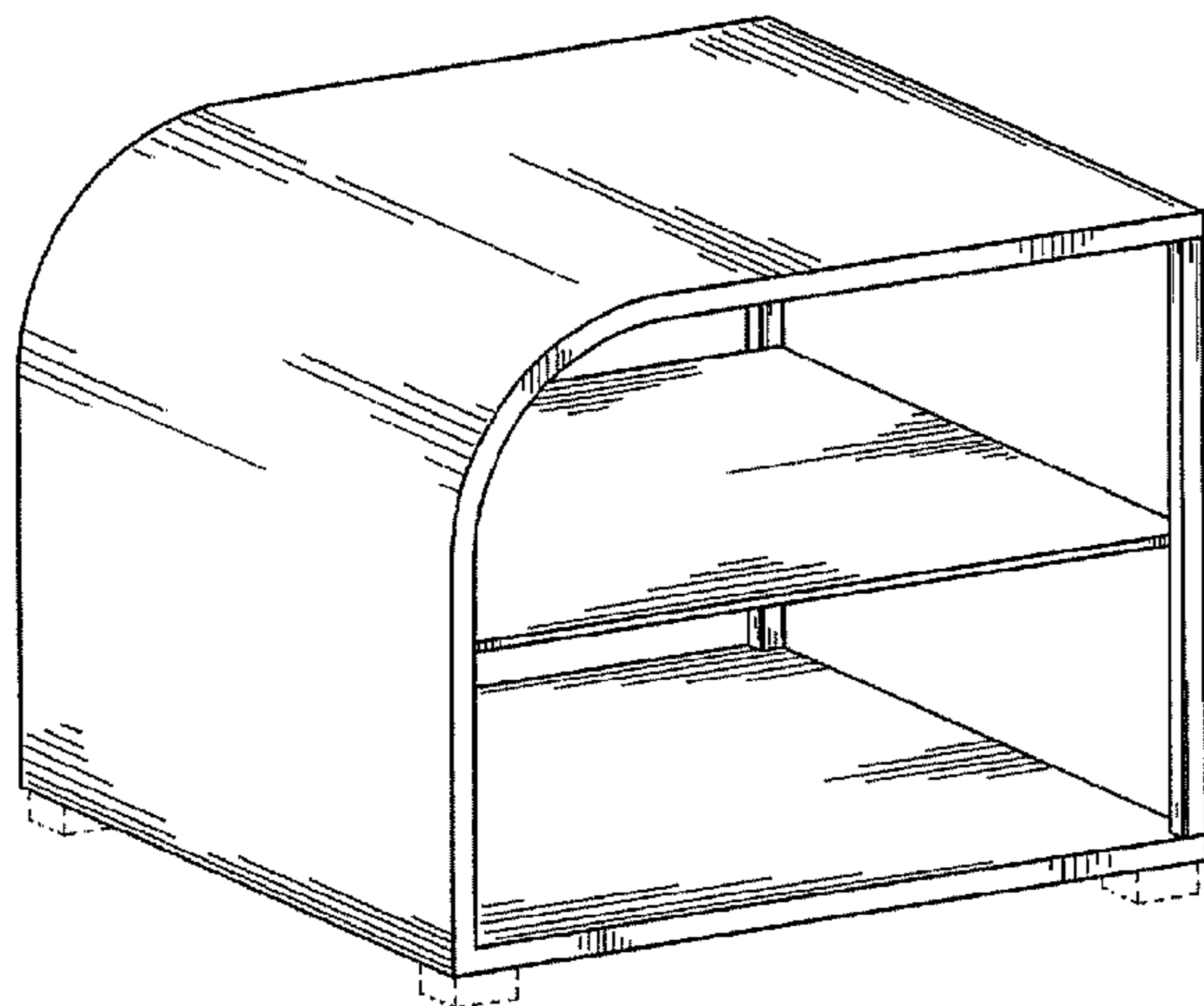
The broken lines in the figures represent environment and form no part of the claimed design.

(56) **References Cited**

U.S. PATENT DOCUMENTS

D96,518 S	8/1935	Stevenson	
D117,253 S	9/1939	Brainard	
D238,230 S	12/1975	Sklaroff	
D247,731 S	4/1978	Robinson	
D322,184 S *	12/1991	Prevedello et al.	D6/436
D327,789 S	7/1992	Caturla et al.	
D368,604 S *	4/1996	Gotham et al.	D6/436
D414,054 S *	9/1999	Hurd	D6/436
D436,754 S *	1/2001	Bellini	D6/445
D440,071 S *	4/2001	Hutton	D6/436
D464,500 S	10/2002	Roberts	
D470,333 S	2/2003	Roberts	
D515,847 S *	2/2006	Moon et al.	D6/477

1 Claim, 3 Drawing Sheets



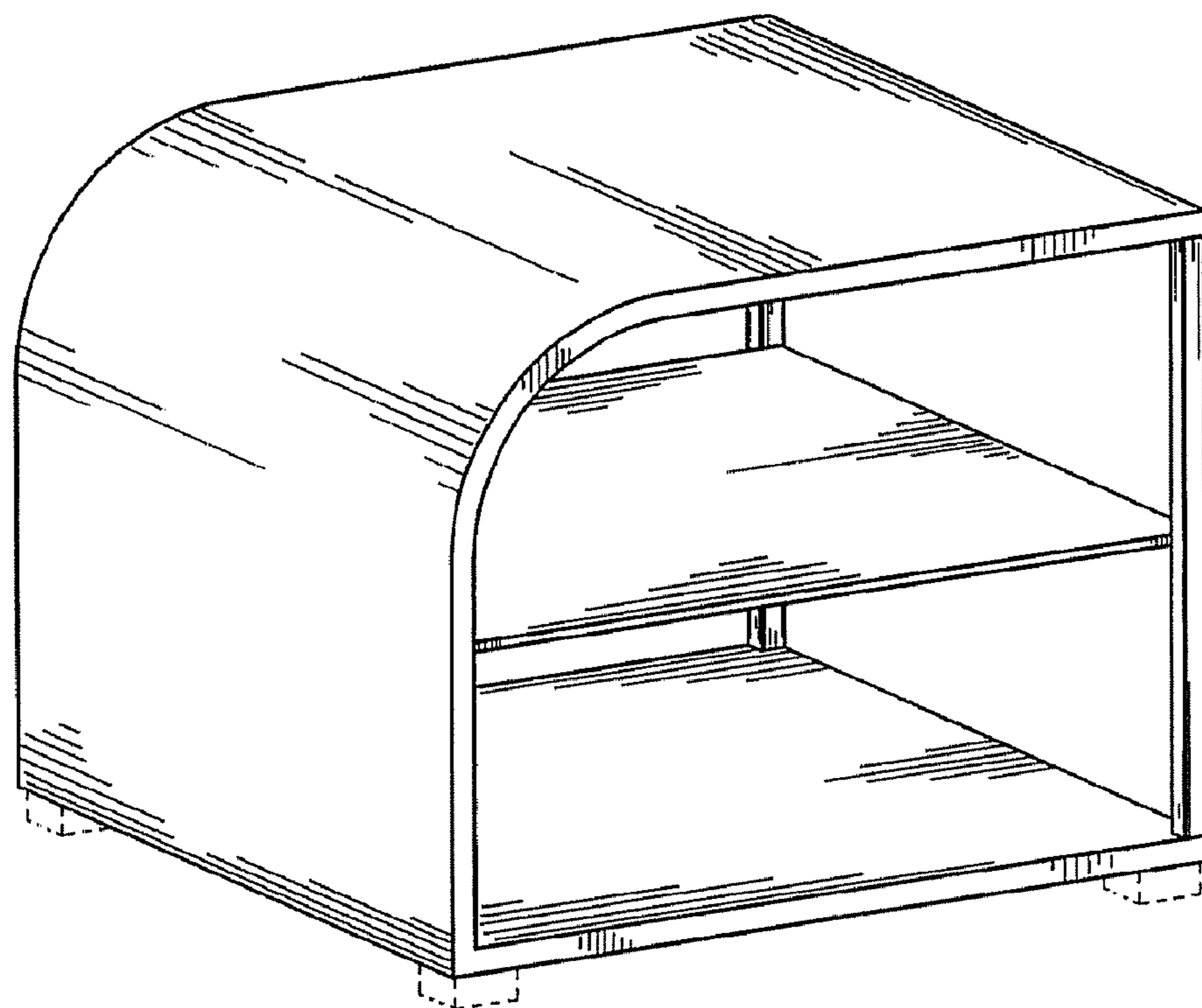


Fig. 1

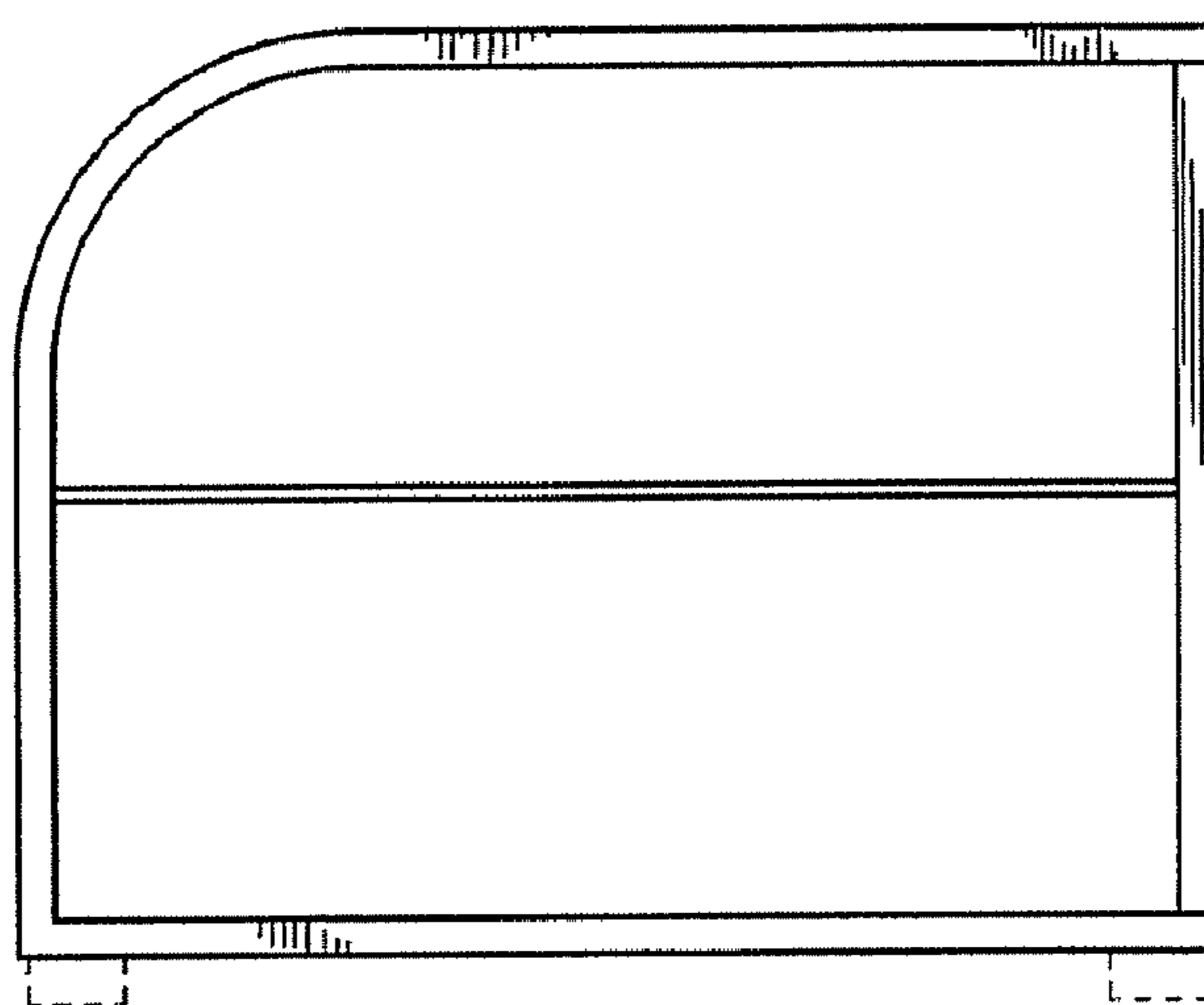


Fig. 2

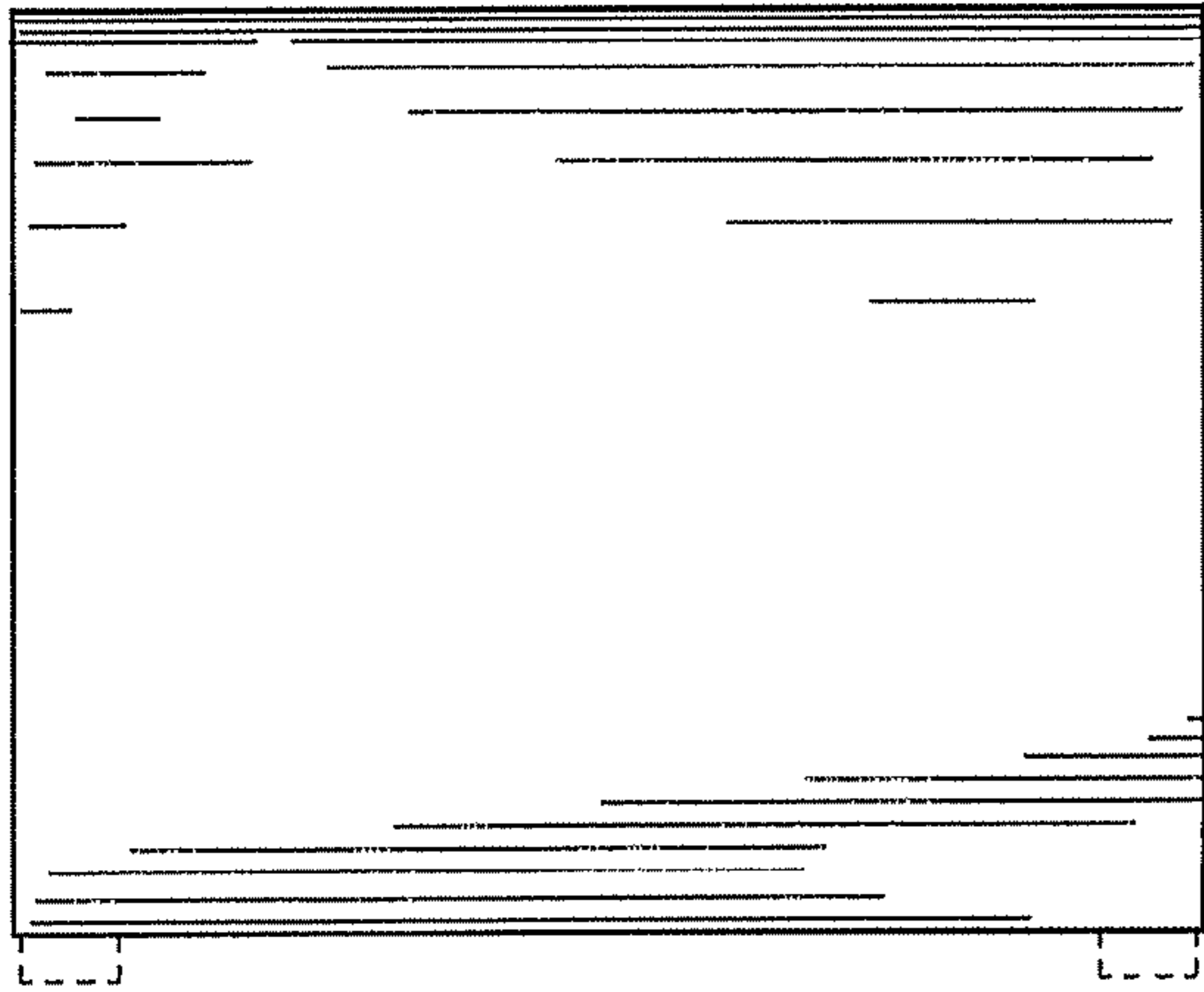


Fig. 3

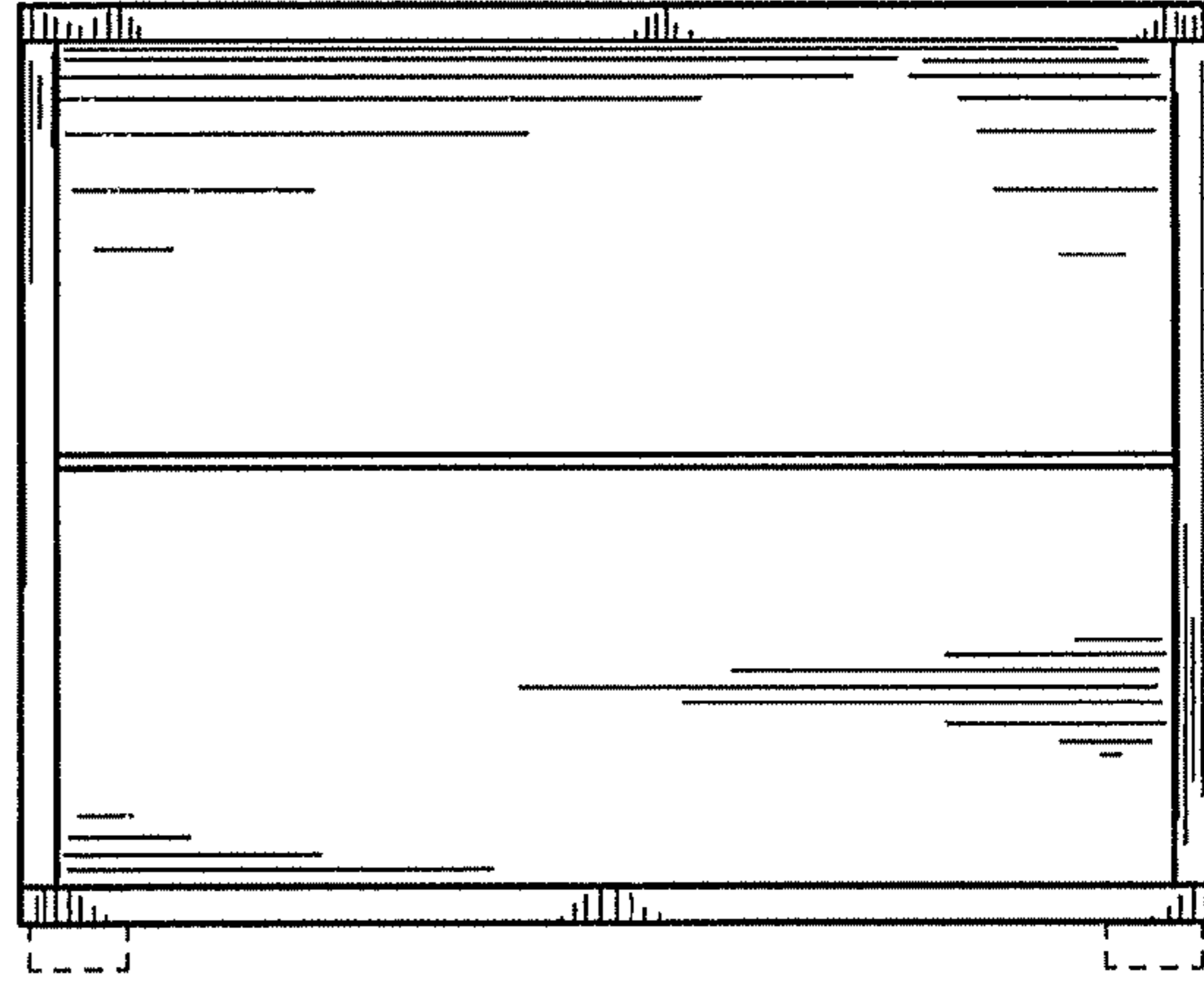


Fig. 4

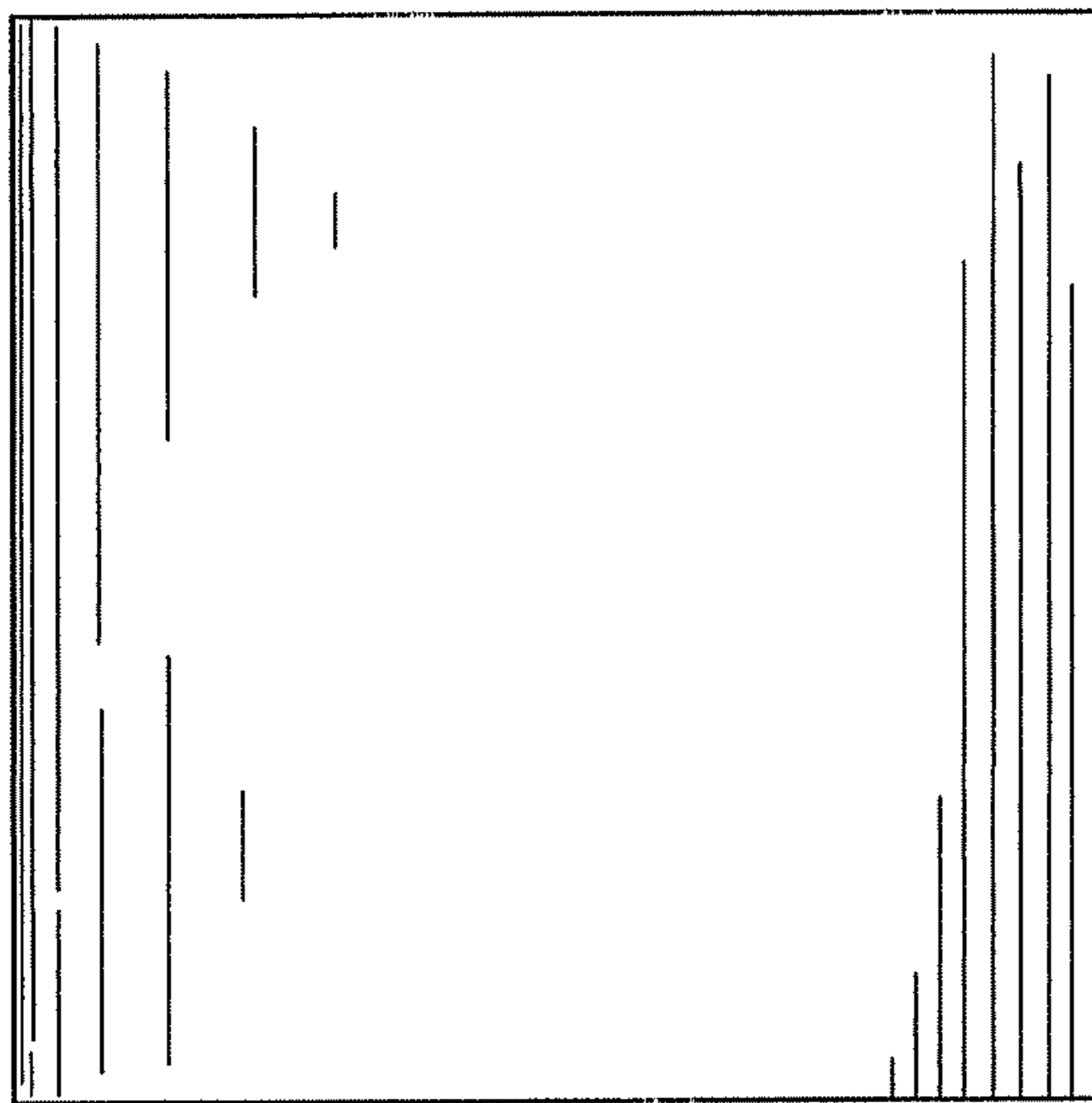


Fig. 5

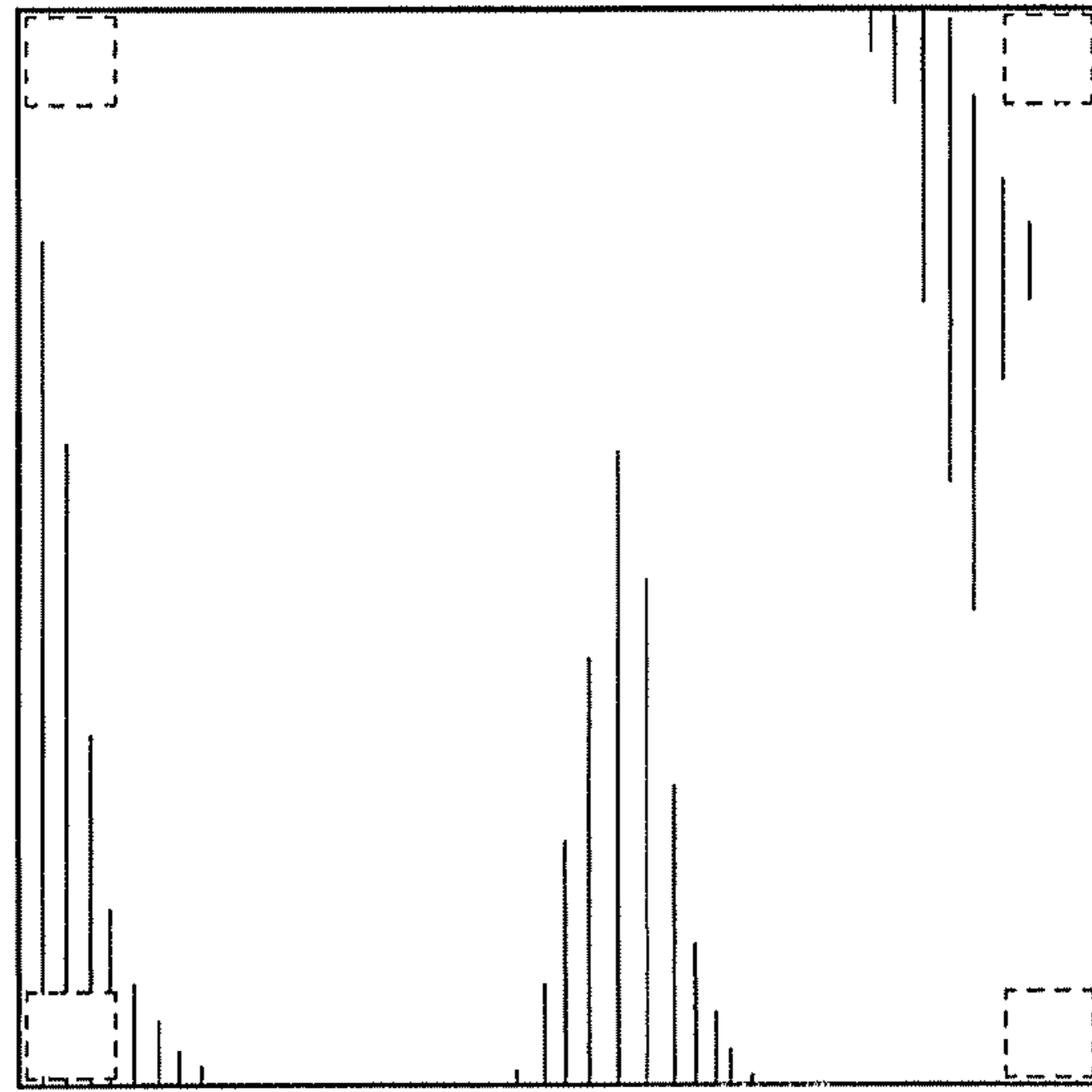


Fig. 6

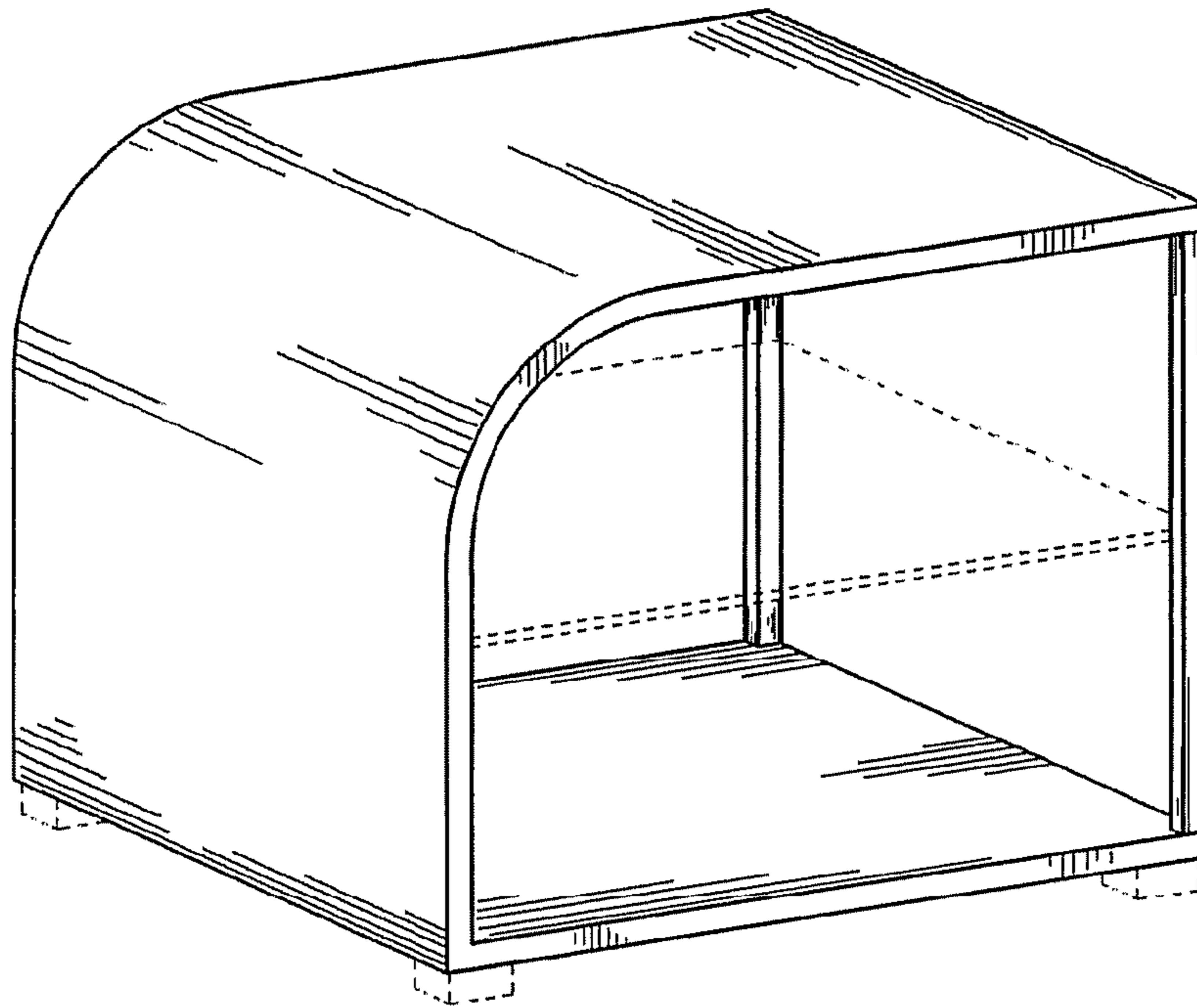


Fig. 7

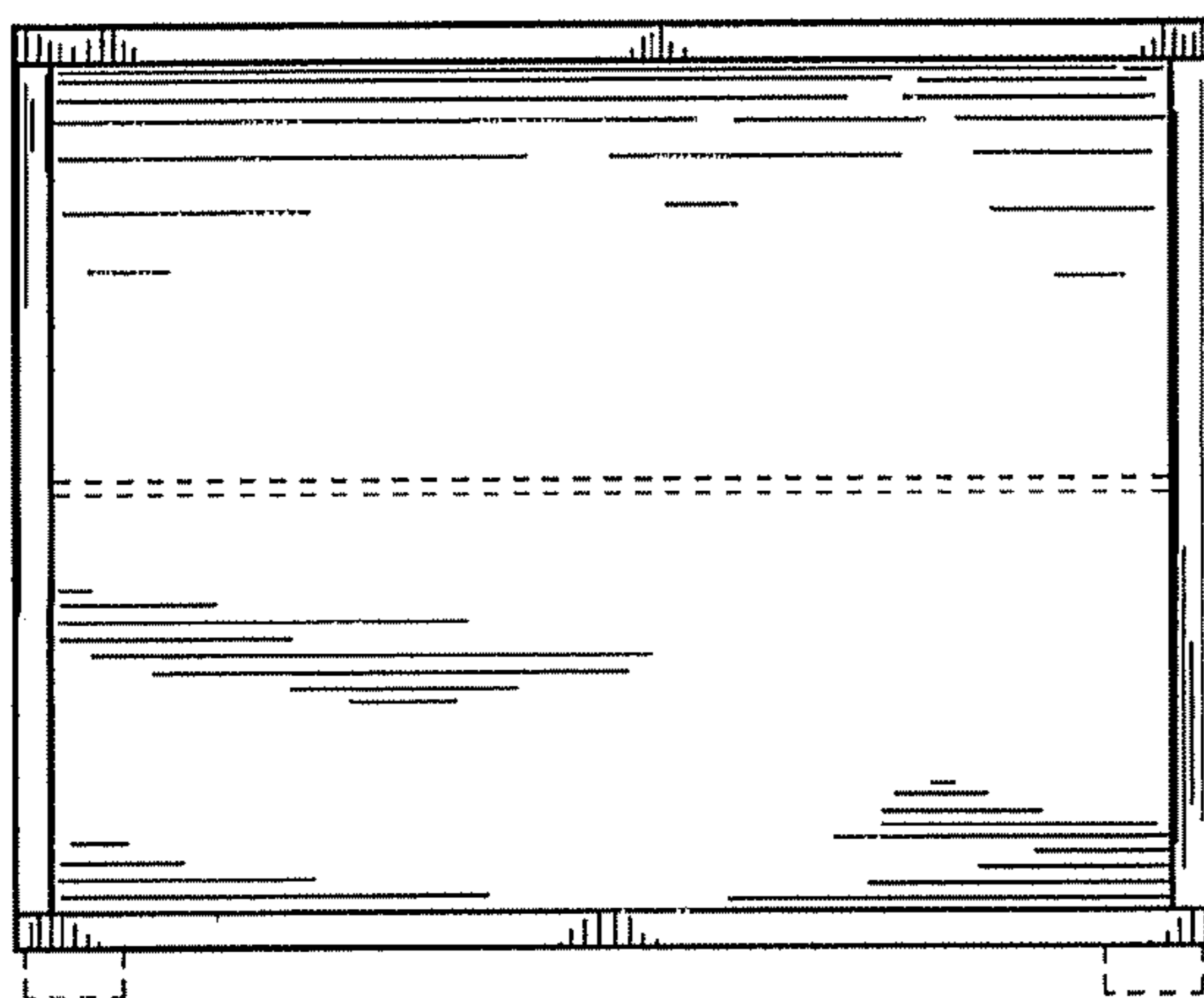


Fig. 8

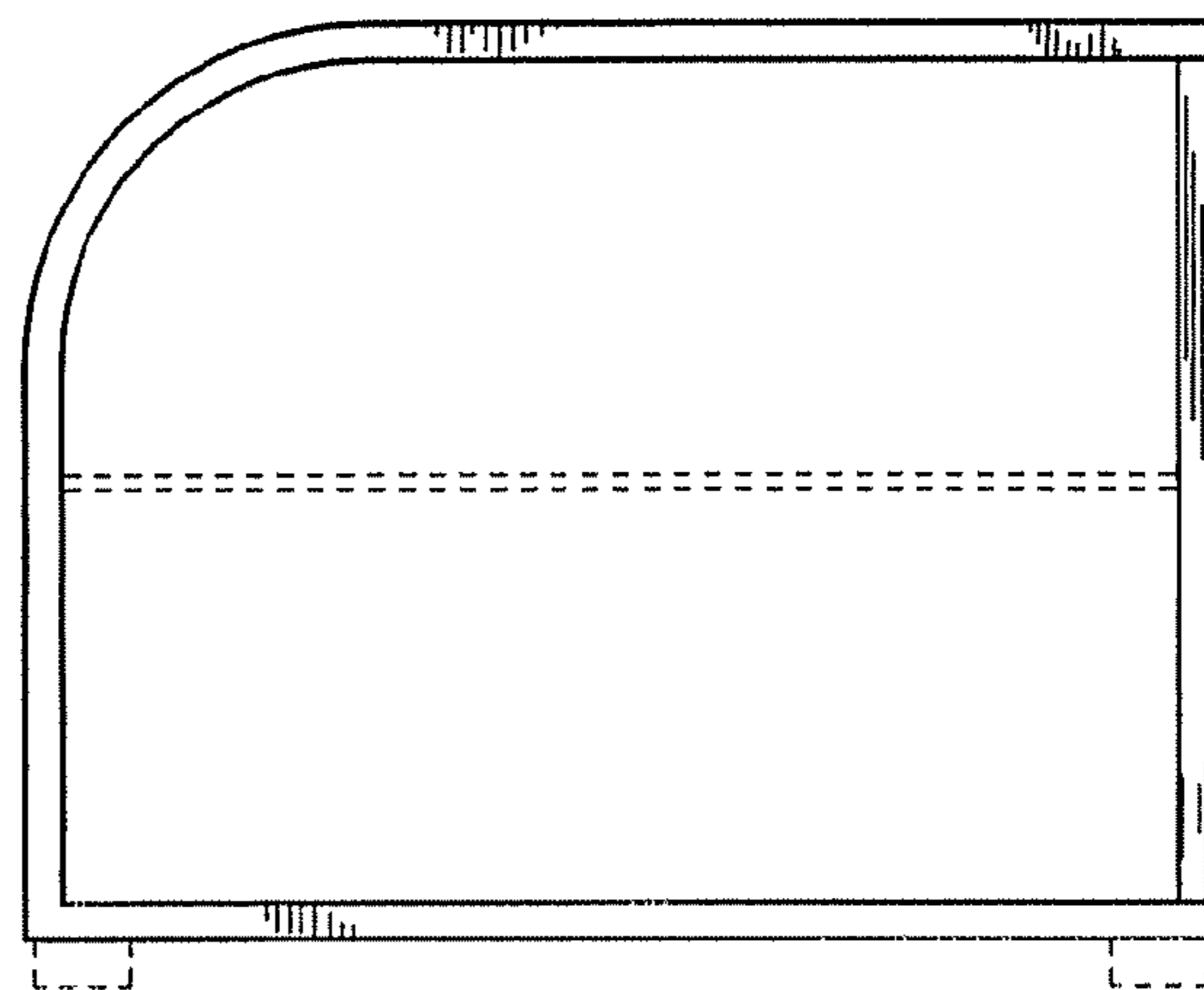


Fig. 9