



US00D566427S

(12) **United States Design Patent**
McConnell et al.

(10) **Patent No.:** **US D566,427 S**

(45) **Date of Patent:** **** Apr. 15, 2008**

(54) **CUBE SHELF**

(75) Inventors: **Jennifer McConnell**, Greensboro, NC (US); **Earl David Forrest**, Asheboro, NC (US)

(73) Assignee: **Liberty Hardware Mfg. Corp.**, Winston-Salem, NC (US)

(**) Term: **14 Years**

(21) Appl. No.: **29/291,864**

(22) Filed: **Sep. 19, 2007**

(51) **LOC (8) Cl.** **06-04**

(52) **U.S. Cl.** **D6/475**

(58) **Field of Classification Search** D6/473-475, D6/477-479, 630; 108/59, 65-66, 91-93, 108/106-107, 180, 144.11; 211/34, 36, 42, 211/134

See application file for complete search history.

(56) **References Cited**

U.S. PATENT DOCUMENTS

D334,815 S * 4/1993 Bunger D25/113

D515,847 S * 2/2006 Moon et al. D6/477
D522,770 S * 6/2006 Easton D6/436
2003/0010738 A1* 1/2003 Hsia et al. 211/188

* cited by examiner

Primary Examiner—Elizabeth A. Albert

Assistant Examiner—Kelley A. Donnelly

(74) *Attorney, Agent, or Firm*—Edgar A. Zarins; Lloyd D. Doigan

(57) **CLAIM**

The ornamental design for a cube shelf, as shown and described.

DESCRIPTION

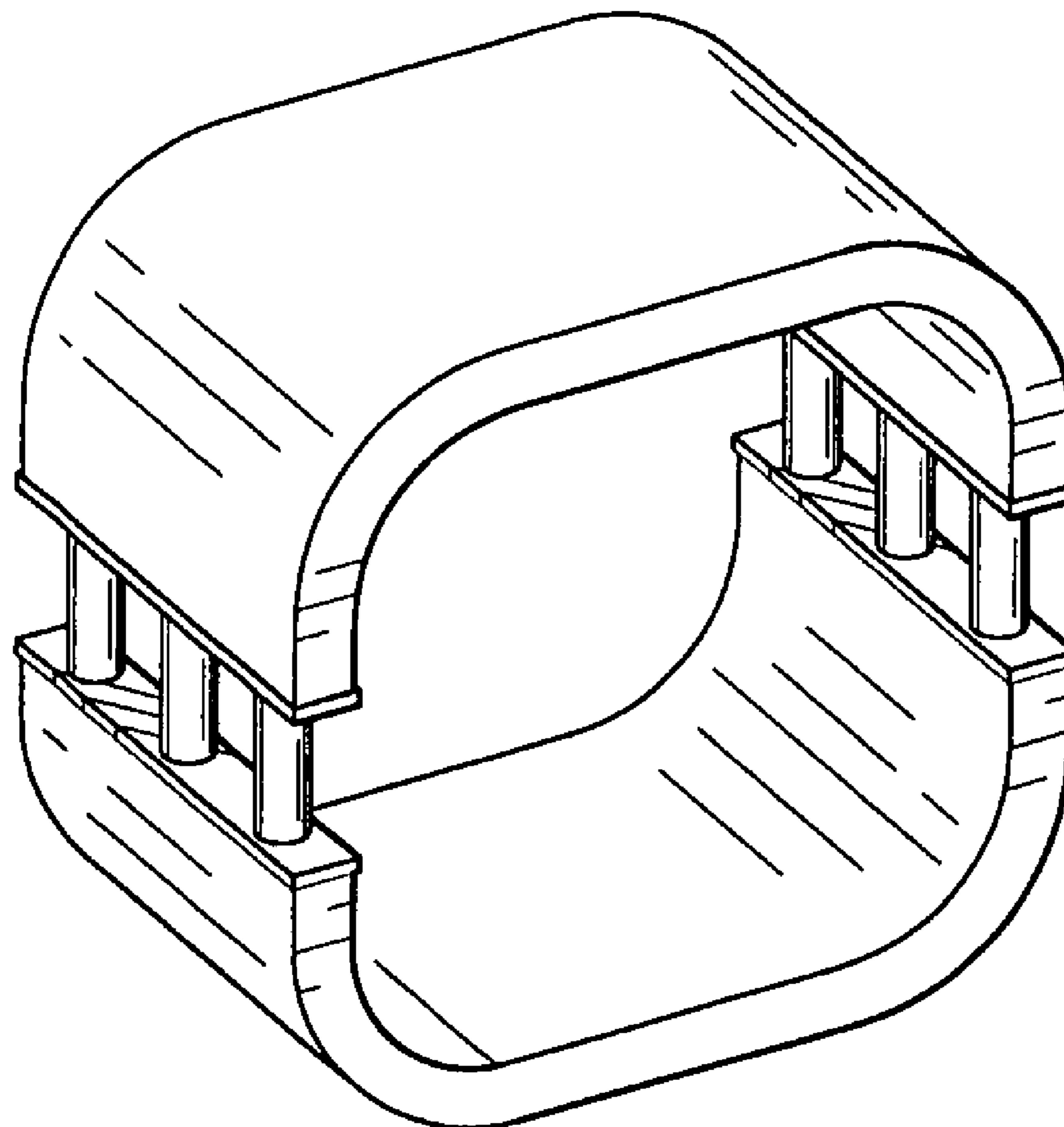
FIG. 1 is a perspective view of a cube shelf, showing our new design;

FIG. 2 is a side view thereof, the opposite side being a mirror image of the side shown;

FIG. 3 is a front elevational view thereof; and,

FIG. 4 is a perspective view of an alternative embodiment thereof.

1 Claim, 1 Drawing Sheet



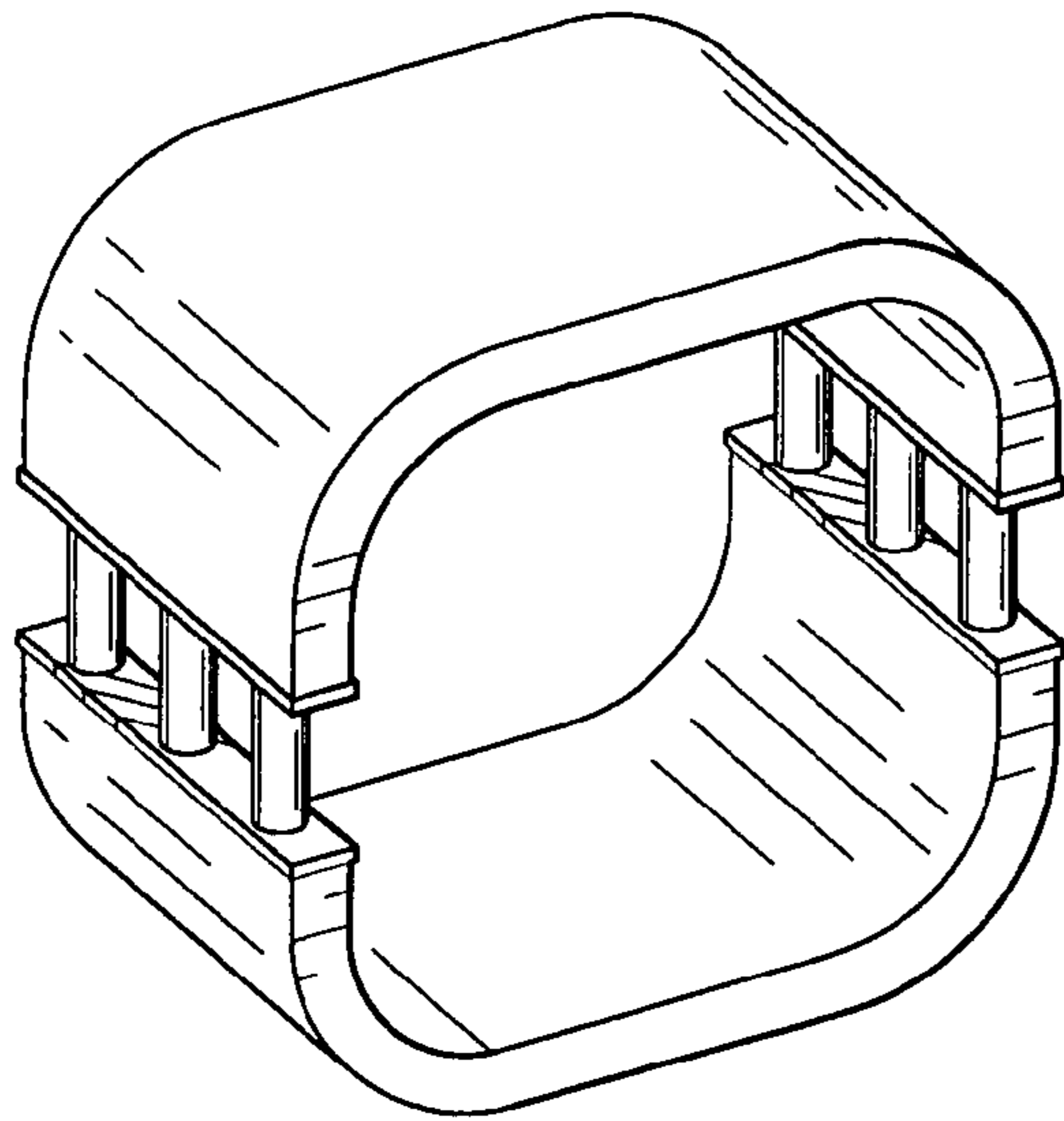


Fig-1

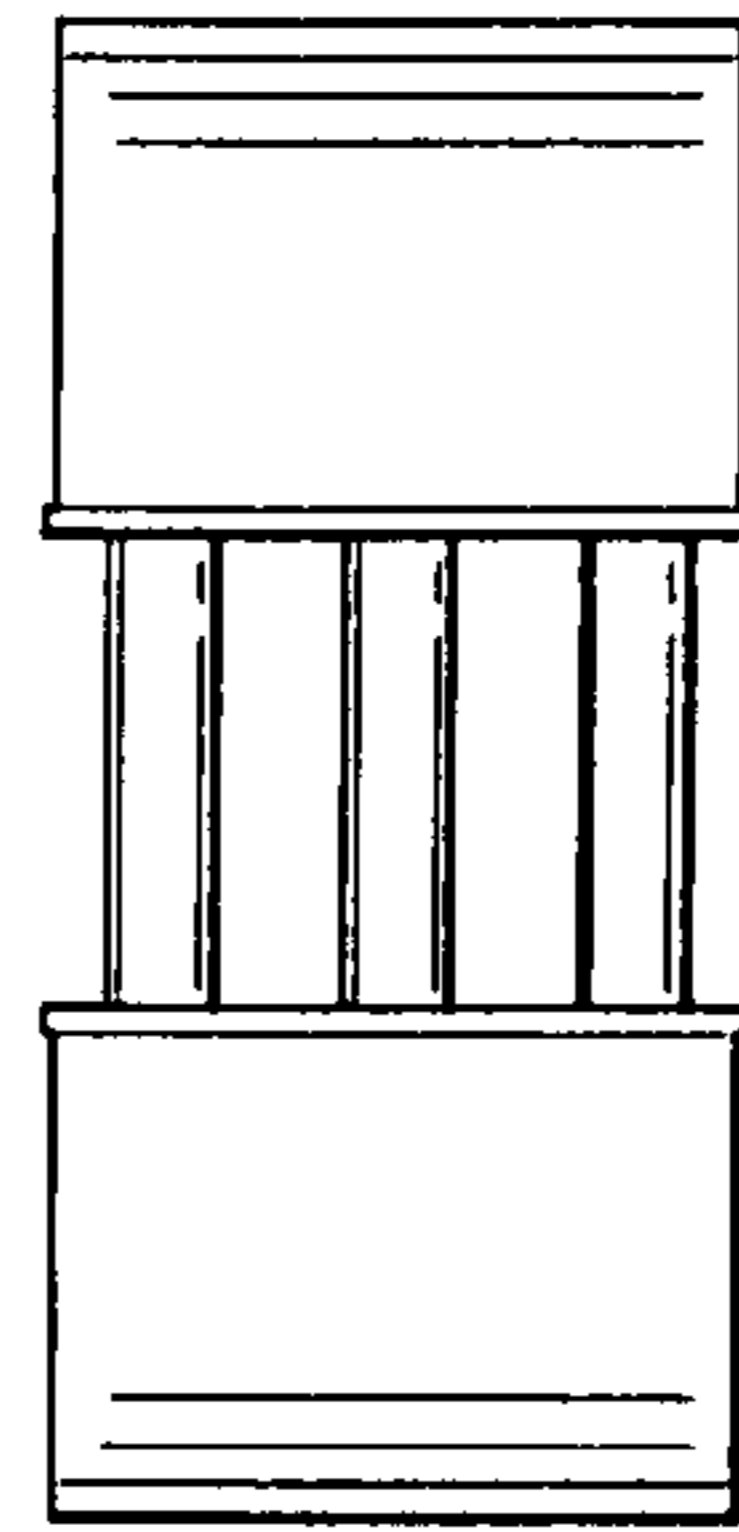


Fig-2

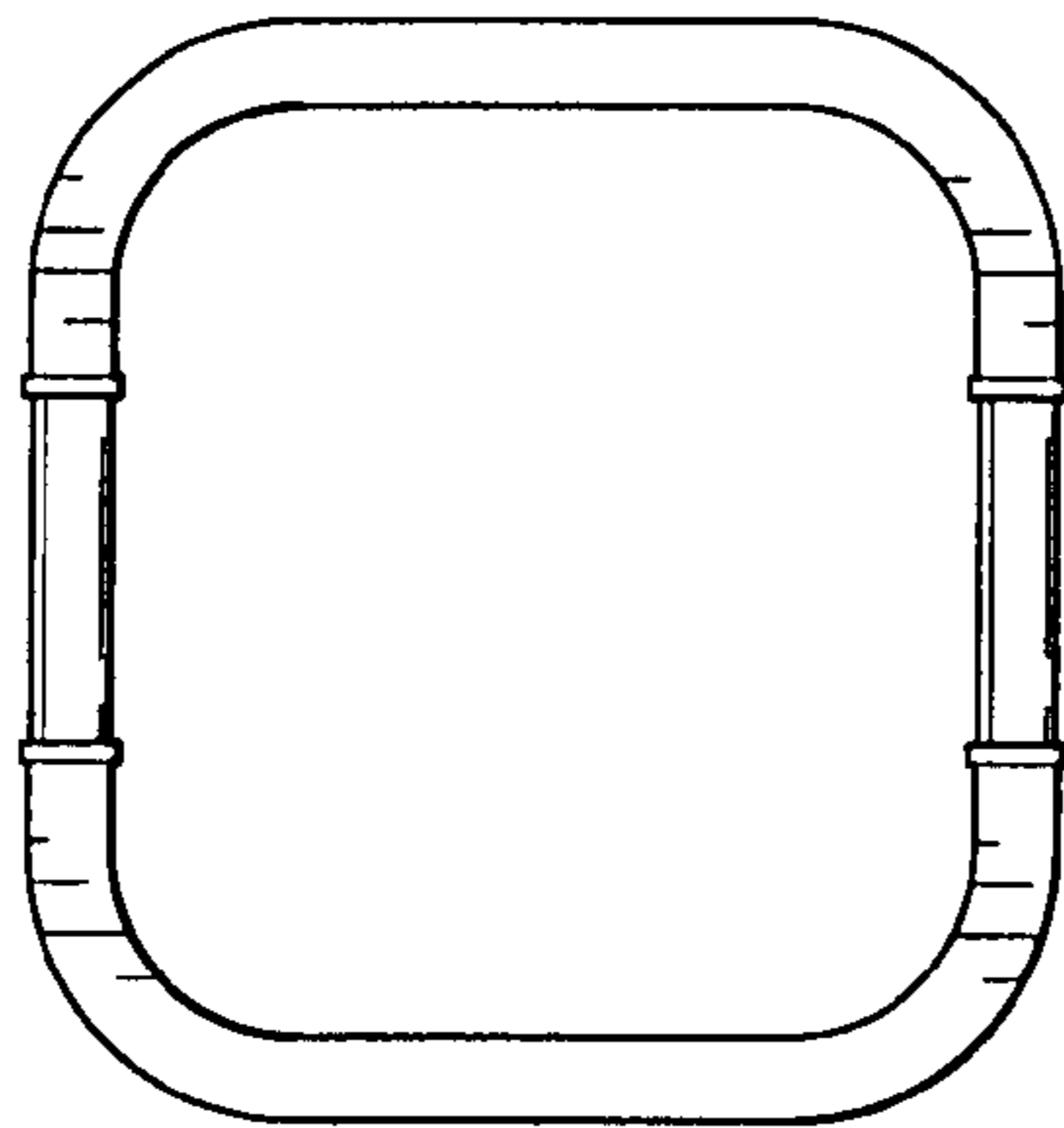


Fig-3

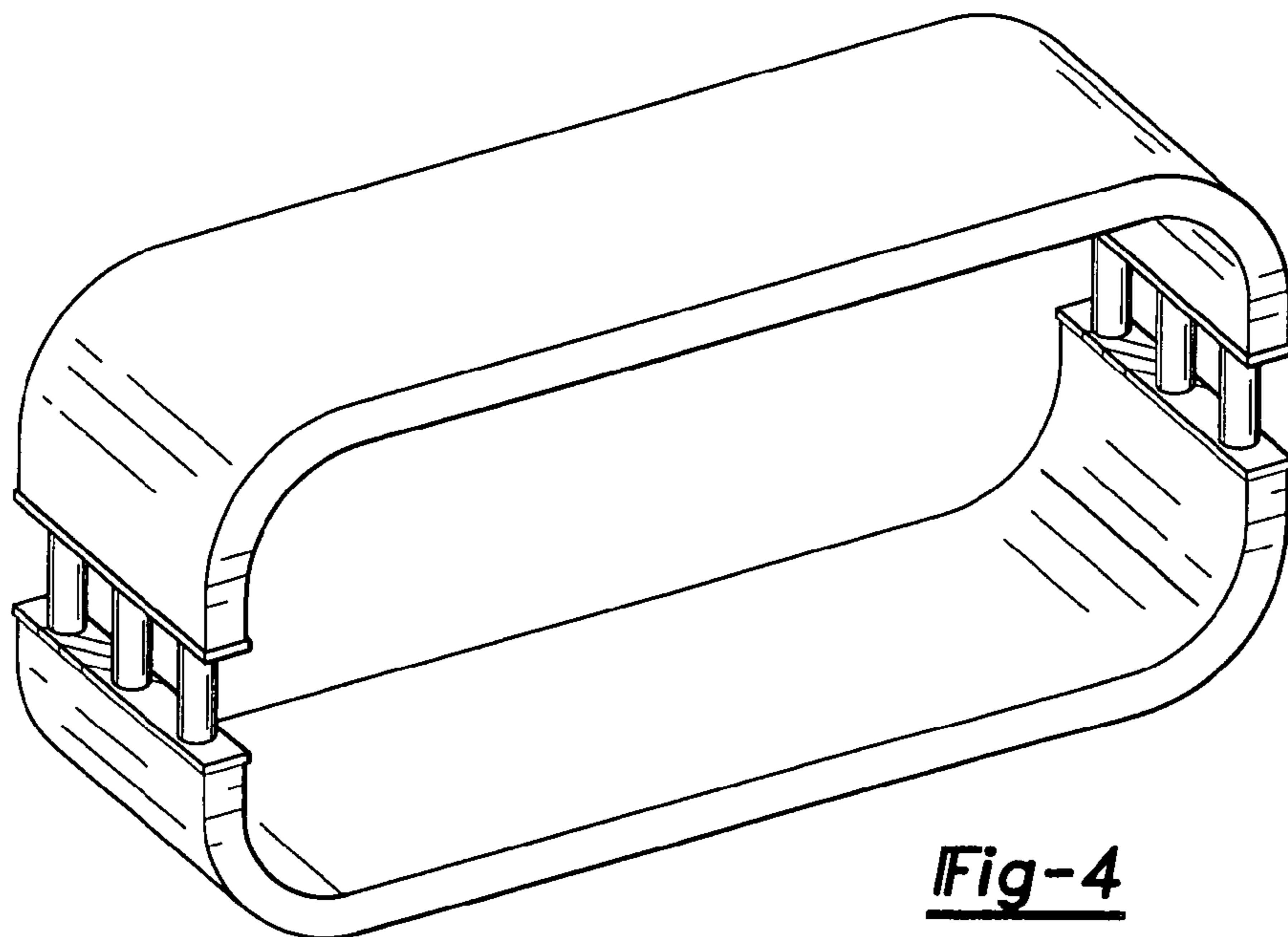


Fig-4