



US00D566423S

(12) **United States Design Patent**
Raile

(10) **Patent No.:** **US D566,423 S**

(45) **Date of Patent:** **** Apr. 15, 2008**

(54) **EYEGLASS DISPLAY**

RE24,571 E 11/1958 Nadel
2,936,897 A 5/1960 Bloch
2,966,271 A 12/1960 Nadel

(75) Inventor: **Bruce Raile**, Park City, UT (US)

(73) Assignee: **Sun Optics, Inc.**, Salt Lake City, UT (US)

(Continued)

(**) Term: **14 Years**

FOREIGN PATENT DOCUMENTS

(21) Appl. No.: **29/250,249**

DE 3815889 11/1989

(22) Filed: **Nov. 7, 2006**

OTHER PUBLICATIONS

U.S. Appl. No. 29/234,978, filed Jul. 26, 2005, Raile.

Related U.S. Application Data

(Continued)

(63) Continuation of application No. 29/227,262, filed on Apr. 8, 2005, now Pat. No. Des. 536,905.

Primary Examiner—Caron D. Veynar
Assistant Examiner—Sydney R. Buffalow
(74) *Attorney, Agent, or Firm*—Workman Nydegger

(51) **LOC (8) Cl.** **06-04**

(52) **U.S. Cl.** **D6/467**

(58) **Field of Classification Search** D6/469,
D6/467, 466, 534, 528; 211/85.1, 85.13,
211/85.4, 60.1, 62, 69.1, 70.3, 70.4, 70.6,
211/70.7, 70.8, 107, 49.1, 63, 75, 87.01, 90.04,
211/70.1, 89.01; D19/60; D24/234, 227,
D24/224; D20/10

(57) **CLAIM**

The ornamental design for an eyeglass display, as shown and described.

See application file for complete search history.

DESCRIPTION

(56) **References Cited**

FIG. 1 is a perspective view of an eyeglass display showing my new design.

U.S. PATENT DOCUMENTS

FIG. 2 is a top plan view of the eyeglass display as shown in FIG. 1;

- 246,460 A 8/1881 Chase et al.
- 356,858 A 2/1887 Towson
- 658,042 A 9/1900 Mendel
- 1,092,156 A 4/1914 Mathis
- 2,209,657 A 7/1940 Martin
- D154,674 S 8/1949 Gochenour, Jr.
- 2,606,708 A 8/1952 Irvan
- 2,713,947 A 7/1955 Foster
- D176,466 S 12/1955 La Barre
- 2,728,485 A 12/1955 Howard
- 2,735,597 A 2/1956 Treleven
- 2,747,760 A 5/1956 Jacobson
- 2,809,766 A 10/1957 Anderson
- 2,809,786 A 10/1957 Anderson
- 2,816,666 A 12/1957 Nadel

FIG. 3 is a right side elevational view of the eyeglass display shown in FIG. 1, with the left side being a mirror image thereof;

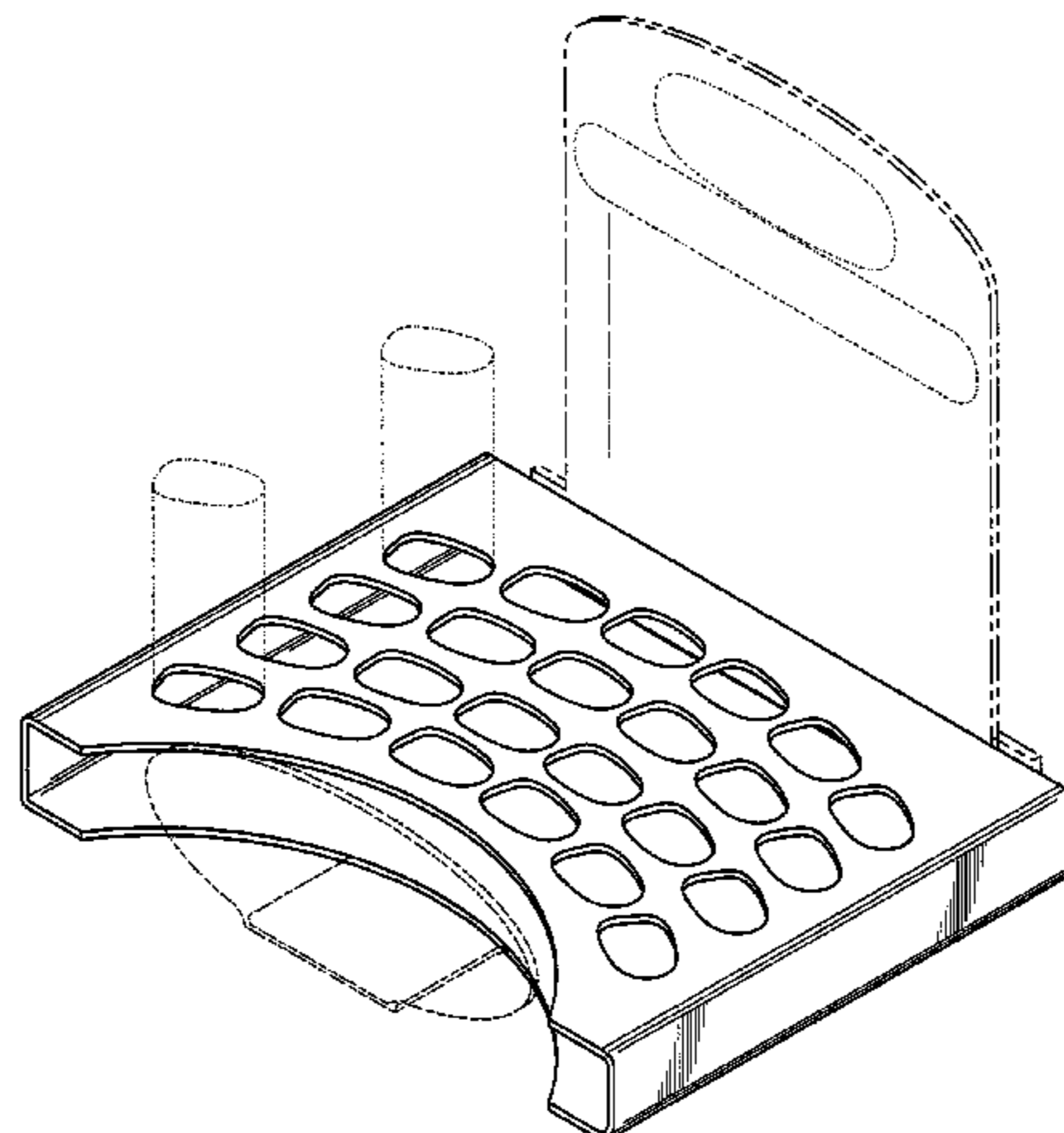
FIG. 4 is a bottom plan view of the eyeglass display as shown in FIG. 1;

FIG. 5 is a front elevational view of the eyeglass display as shown in FIG. 1; and,

FIG. 6 is a back elevational view of the eyeglass display as shown in FIG. 1.

The broken lines are for illustrative purposes only and form no part of the claimed design.

1 Claim, 4 Drawing Sheets



US D566,423 S

Page 2

U.S. PATENT DOCUMENTS							
3,144,343	A	8/1964	Fritsche	D392,144	S	3/1998	Vogler
D201,017	S	5/1965	Pohmann	5,725,109	A	3/1998	Moulton et al.
3,184,319	A	5/1965	Fritsche	D393,543	S	4/1998	Wilkening et al.
D201,420	S	6/1965	Bernad et al.	D400,009	S	10/1998	Conway
3,288,280	A	11/1966	Bostrom	D400,030	S	10/1998	Wetzel
3,333,709	A	8/1967	Leblanc et al.	D400,373	S	11/1998	Thoesen
D208,469	S	9/1967	Parker	D402,140	S	12/1998	Bustos
3,357,568	A	12/1967	Leblanc et al.	5,860,358	A	1/1999	Shriver
3,593,856	A	7/1971	Zander	5,899,371	A	5/1999	Weliver
3,676,159	A	7/1972	Fallowfield	5,929,967	A	7/1999	Conner
3,817,392	A	6/1974	Bloch	5,949,515	A	9/1999	Hoshino
3,857,482	A	12/1974	Shelton	D416,357	S	11/1999	Gobe
3,866,800	A	2/1975	Schmitt	5,996,818	A	12/1999	Boje et al.
D237,779	S	11/1975	Lucas	6,003,694	A	12/1999	Sharp
3,921,804	A	11/1975	Tester	D420,533	S	2/2000	Pugatch
3,987,892	A	10/1976	Killy	6,041,948	A	3/2000	Filipak et al.
4,000,810	A	1/1977	Leblanc	D422,139	S	4/2000	Meikle
D244,117	S	4/1977	Naylor	D423,555	S	4/2000	Conner
D245,118	S	7/1977	Heaton	D425,299	S	5/2000	Charbonneau
D249,433	S	9/1978	Carlsen	6,102,541	A	8/2000	Kuo
D253,384	S	11/1979	Glassenberg	D430,758	S	9/2000	Skrzelowksi
4,204,602	A	5/1980	Dunchock	D432,784	S	10/2000	Conway
4,228,743	A	10/1980	Crook	D432,786	S	10/2000	Rogers
4,240,557	A	12/1980	Dickens	D432,909	S	10/2000	Pirro et al.
4,331,245	A	5/1982	Schell	D433,936	S	11/2000	Pirro et al.
D267,992	S	2/1983	Shelton	D434,221	S	11/2000	Chao
D271,000	S	10/1983	Rimer	D434,560	S	12/2000	Chao
D275,160	S	8/1984	Shelton	D436,266	S	1/2001	Buchanan et al.
D275,161	S	8/1984	Shelton	D436,434	S	1/2001	Conway
4,572,366	A	2/1986	Carson	D436,725	S	1/2001	Rogers
4,614,272	A	9/1986	Shelton et al.	6,170,651	B1	1/2001	Taormina
D286,462	S	11/1986	Sender et al.	D437,112	S	2/2001	Toffoli
4,715,575	A	12/1987	Kamerer	D438,632	S	3/2001	Miller
D294,548	S	3/1988	Wallace	6,199,981	B1	3/2001	Chao
4,733,775	A	3/1988	Fireman	6,206,217	B1	3/2001	Chiang
4,744,461	A	5/1988	Lapham	D439,738	S	4/2001	McCormack
D301,575	S	6/1989	Crawford, Jr.	D440,256	S	4/2001	Wang
4,907,705	A	3/1990	Waldeck	D440,432	S	4/2001	Topper et al.
4,925,038	A	5/1990	Gajewski	D441,145	S	4/2001	Chang
D319,156	S	8/1991	Cugley	D441,953	S	5/2001	Ben Moshe
5,057,282	A	10/1991	Linder	D444,805	S	7/2001	Tiberghien
D323,400	S	1/1992	Frenkel et al.	D446,389	S	8/2001	Zhou
D323,441	S	1/1992	Waldeck	6,273,246	B1	8/2001	Marciano
5,141,117	A	8/1992	Olsen et al.	D448,854	S	10/2001	Kuiper et al.
D332,442	S	1/1993	Simpson, Sr.	D449,779	S	10/2001	Otto
D332,664	S	1/1993	Sincock	D450,239	S	11/2001	Otto
D336,181	S	6/1993	Muniz	D450,591	S	11/2001	Escola Gallart
D337,016	S	7/1993	Fortescue	D451,015	S	11/2001	Otto
D338,965	S	8/1993	Glanz et al.	D451,382	S	12/2001	Adkins
D339,017	S	9/1993	Goodman et al.	D454,686	S	3/2002	McCormack
D339,913	S	10/1993	Reed	6,382,407	B1	5/2002	Chao
D342,400	S	12/1993	Bustos	D458,092	S	6/2002	Rumpf
D344,419	S	2/1994	Stoddard	6,415,915	B1	7/2002	Grossman
5,358,128	A	10/1994	Belokin et al.	D461,554	S	8/2002	Lafond et al.
D352,454	S	11/1994	Krupa	D464,982	S	10/2002	Thixton et al.
D359,126	S	6/1995	Hovatter	D467,421	S	12/2002	Chao
5,423,419	A	6/1995	Wentz et al.	6,491,158	B2	12/2002	Chen
D360,321	S	7/1995	Wang	D471,991	S	3/2003	Maylon et al.
D361,638	S	8/1995	Desgrippes	6,533,133	B2	3/2003	Liu
5,451,113	A	9/1995	Lund	D474,274	S	5/2003	Walters
D364,762	S	12/1995	Compton et al.	D475,732	S	6/2003	Conner
5,501,321	A	3/1996	Liu	D479,126	S	9/2003	Kumakura et al.
D369,415	S	4/1996	Boulton et al.	D479,552	S	9/2003	Emanuele
D369,466	S	5/1996	Jannard et al.	6,626,287	B1	9/2003	Watson
5,514,343	A	5/1996	Verwohlt et al.	D481,060	S	10/2003	Egbert et al.
5,568,872	A	10/1996	Hinnant, Sr.	D483,944	S	12/2003	Conner
5,571,481	A	11/1996	Powell et al.	D484,011	S	12/2003	Strobel et al.
D376,477	S	12/1996	Patterson et al.	6,655,800	B2	12/2003	Takeda et al.
5,579,929	A	12/1996	Schwartz	6,705,723	B1	3/2004	Lavie
D381,515	S	7/1997	Haynes	D489,960	S	5/2004	Grendahl
D387,874	S	12/1997	Vila	D494,228	S	8/2004	Lane
				D496,191	S	9/2004	Johnson
				D496,193	S	9/2004	Mason

US D566,423 S

Page 3

D496,541 S	9/2004	Wang	2002/0157968 A1	10/2002	Chen
6,789,664 B1	9/2004	Chao	2003/0025871 A1	2/2003	Masunaga
6,851,552 B1	2/2005	Chao	2003/0071962 A1	4/2003	Nishihara
D504,550 S	4/2005	Setcer, Jr.	2003/0111361 A1	6/2003	Fischer et al.
D505,866 S	6/2005	Raile	2003/0133071 A1	7/2003	Ahn
D506,396 S	6/2005	Raile	2004/0144739 A1	7/2004	Marek
D506,681 S	6/2005	Raile	2004/0211681 A1	10/2004	Chao et al.
D506,682 S	6/2005	Raile	2004/0223114 A1	11/2004	Park
D506,833 S	6/2005	Wescott, III	2005/0155872 A1	7/2005	Cheng
D507,658 S	7/2005	Wescott, III	2005/0279648 A1	12/2005	Liebers
6,929,116 B2	8/2005	Chao et al.	2006/0102569 A1	5/2006	Laga
D509,382 S	9/2005	Raile			
D510,530 S	10/2005	Raile			
D525,426 S	7/2006	Raile			
D525,427 S	7/2006	Raile			
D525,787 S	8/2006	Raile			
D525,788 S	8/2006	Raile			
D527,179 S	8/2006	Raile			
D527,180 S	8/2006	Raile			
7,100,777 B1	9/2006	Kao			
D530,541 S	10/2006	Raile			
D530,940 S	10/2006	Raile			
D533,579 S	12/2006	Raile			
D533,736 S	12/2006	Raile			
D534,016 S	12/2006	Raile			
D536,261 S	2/2007	Raile			
D536,905 S	2/2007	Raile			
D538,067 S	3/2007	Raile			
D538,555 S	3/2007	Raile			
7,188,739 B1	3/2007	Raile			
2001/0054595 A1	12/2001	Cabrera			
2002/0080325 A1	6/2002	Xiang			

OTHER PUBLICATIONS

U.S. Appl. No. 29/234,977, filed Jul. 26, 2005, Raile.
U.S. Appl. No. 29/246,911, filed May 19, 2006, Raile.
U.S. Appl. No. 29/246,908, filed May 19, 2006, Raile.
U.S. Appl. No. 29/246,909, filed May 19, 2006, Raile.
U.S. Appl. No. 29/248,658, filed Aug. 25, 2006, Raile.
U.S. Appl. No. 29/248,659, filed Aug. 25, 2006, Raile.
U.S. Appl. No. 29/249,568, filed Oct. 12, 2006, Raile.
U.S. Appl. No. 29/275,011, filed Dec. 8, 2006, Raile.
U.S. Appl. No. 11/627,882, filed Jan. 26, 2007, Raile.
U.S. Appl. No. 29/279,329, filed Apr. 26, 2007, Raile.
Pocket Clip & Tube Readers, Insight Eyeworks, circa Oct. 2001, 2 pages.
V. Mueller & Co., Chicago, Illinois, 1956, p. 747, LA-5165, LA-5170, LA-5195.
America Online Computer Eyewear, circa Apr. 2002, 1 page.
I. Line Precision Reading Eyewear, circa Apr. 2002, 1 page.
Insight Pocket Size Readers, circa Aug. 2002, 1 page.
Transparent Eyeglass Case, Insight Eyeworks, circa 2002, 1 page.

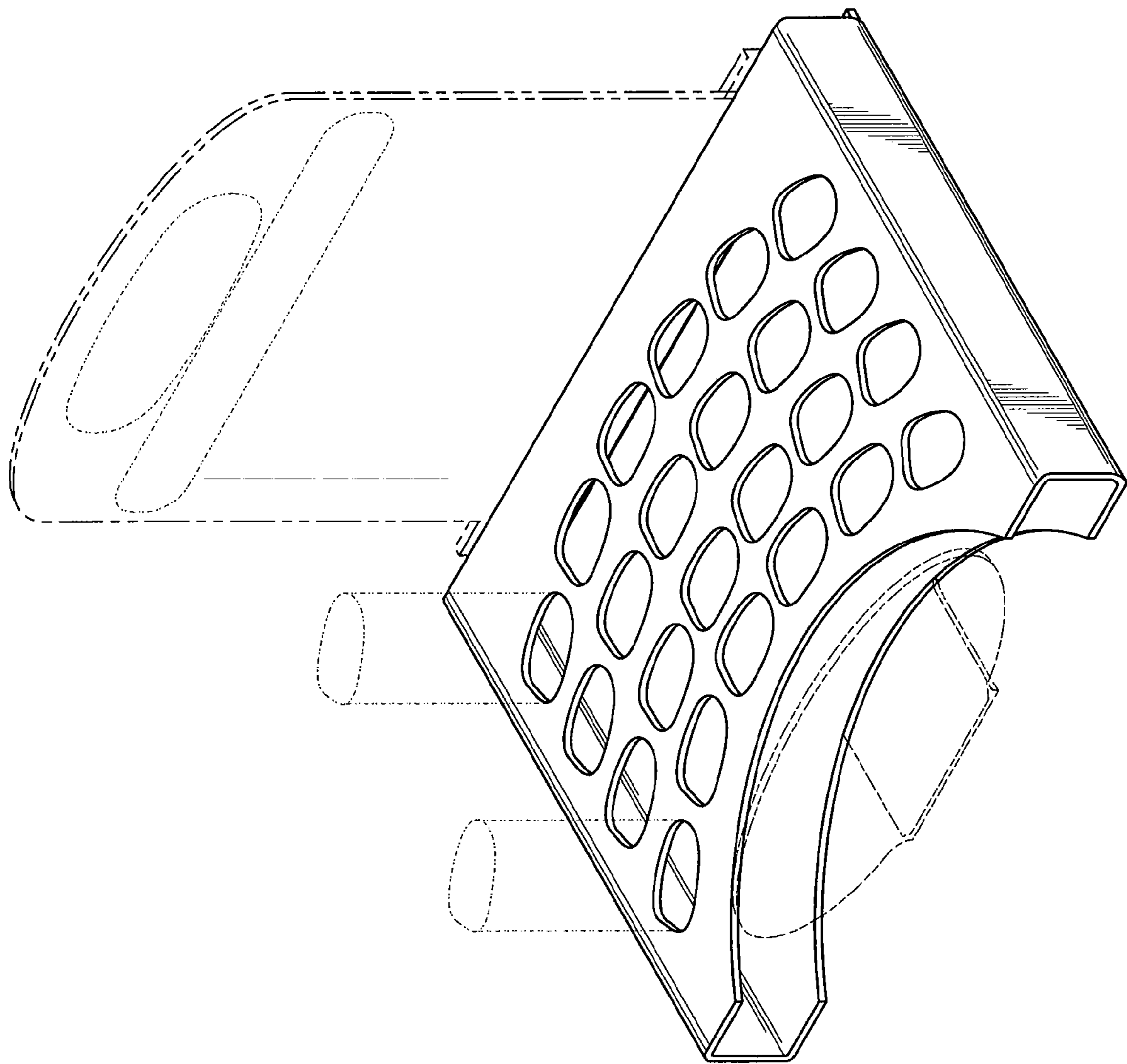


Fig. 1

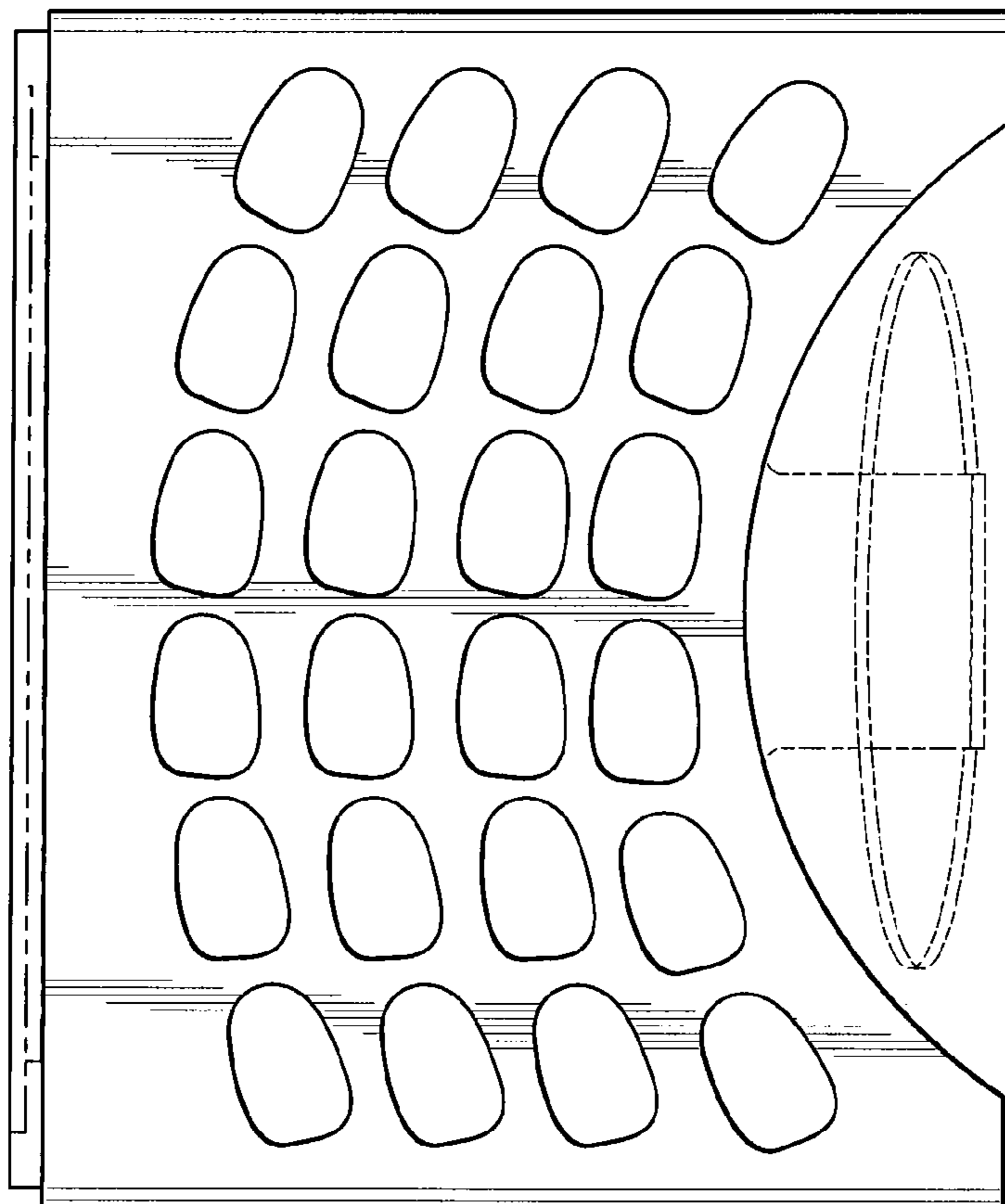


Fig. 2

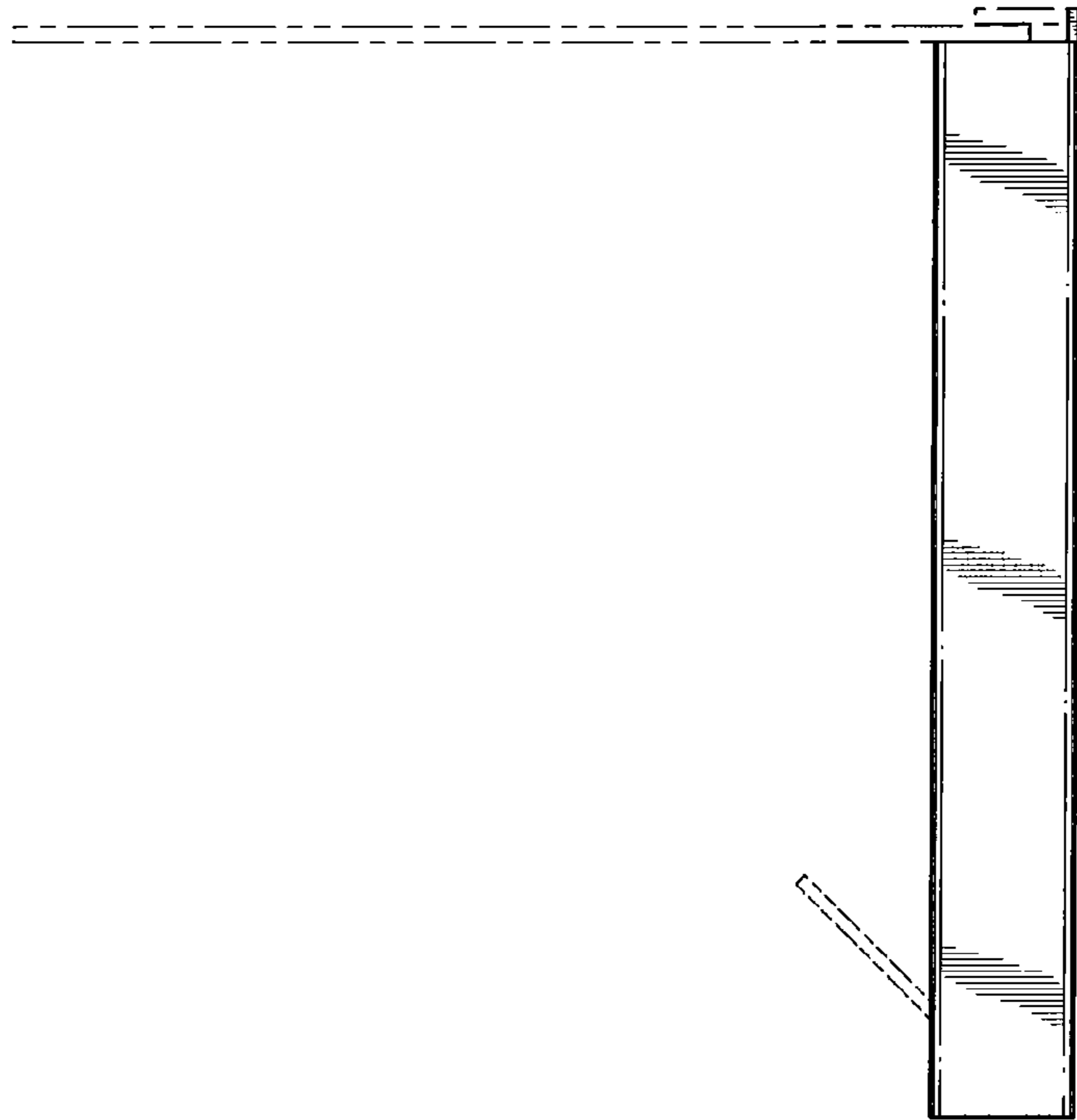


Fig. 3

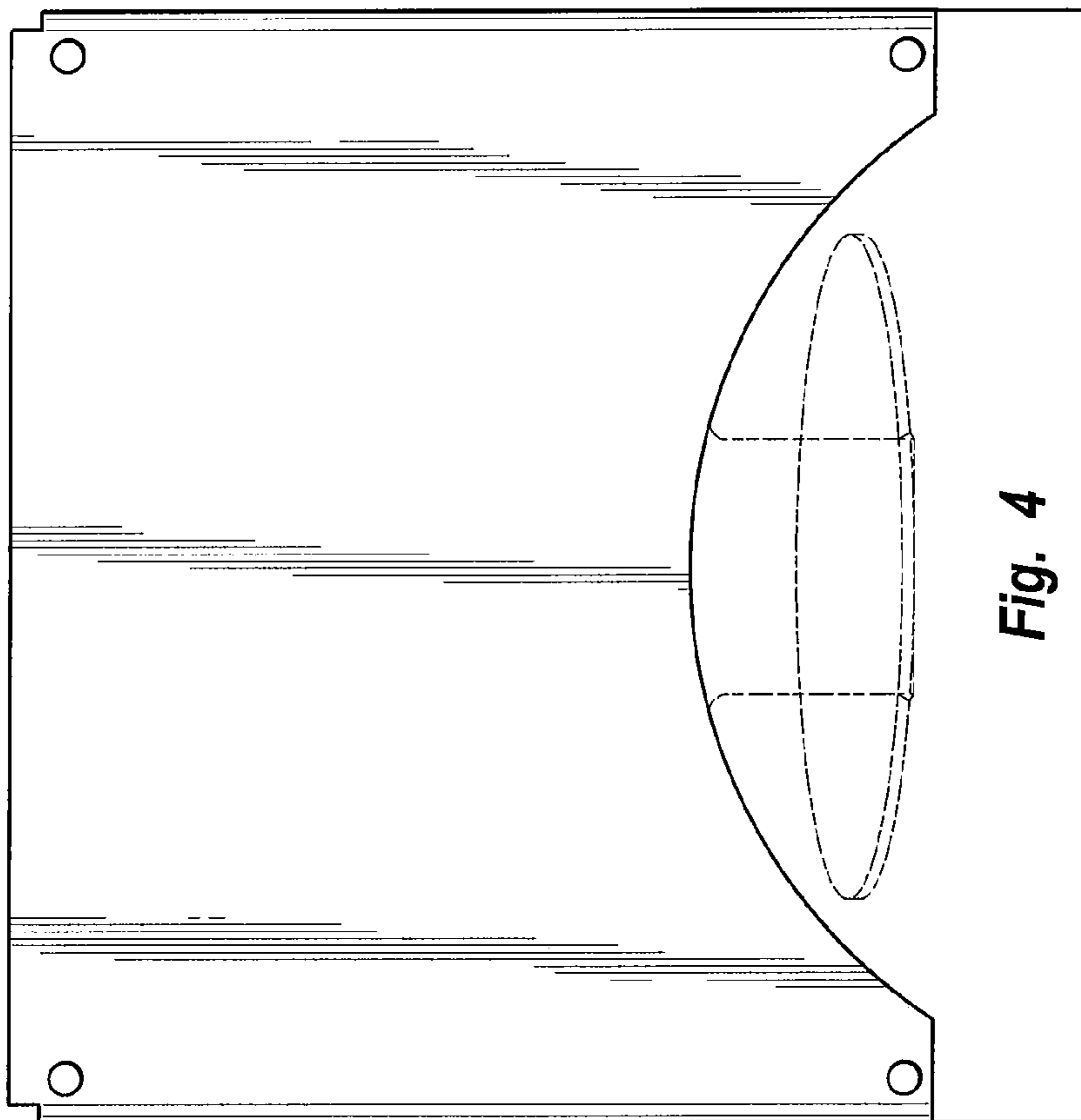


Fig. 4

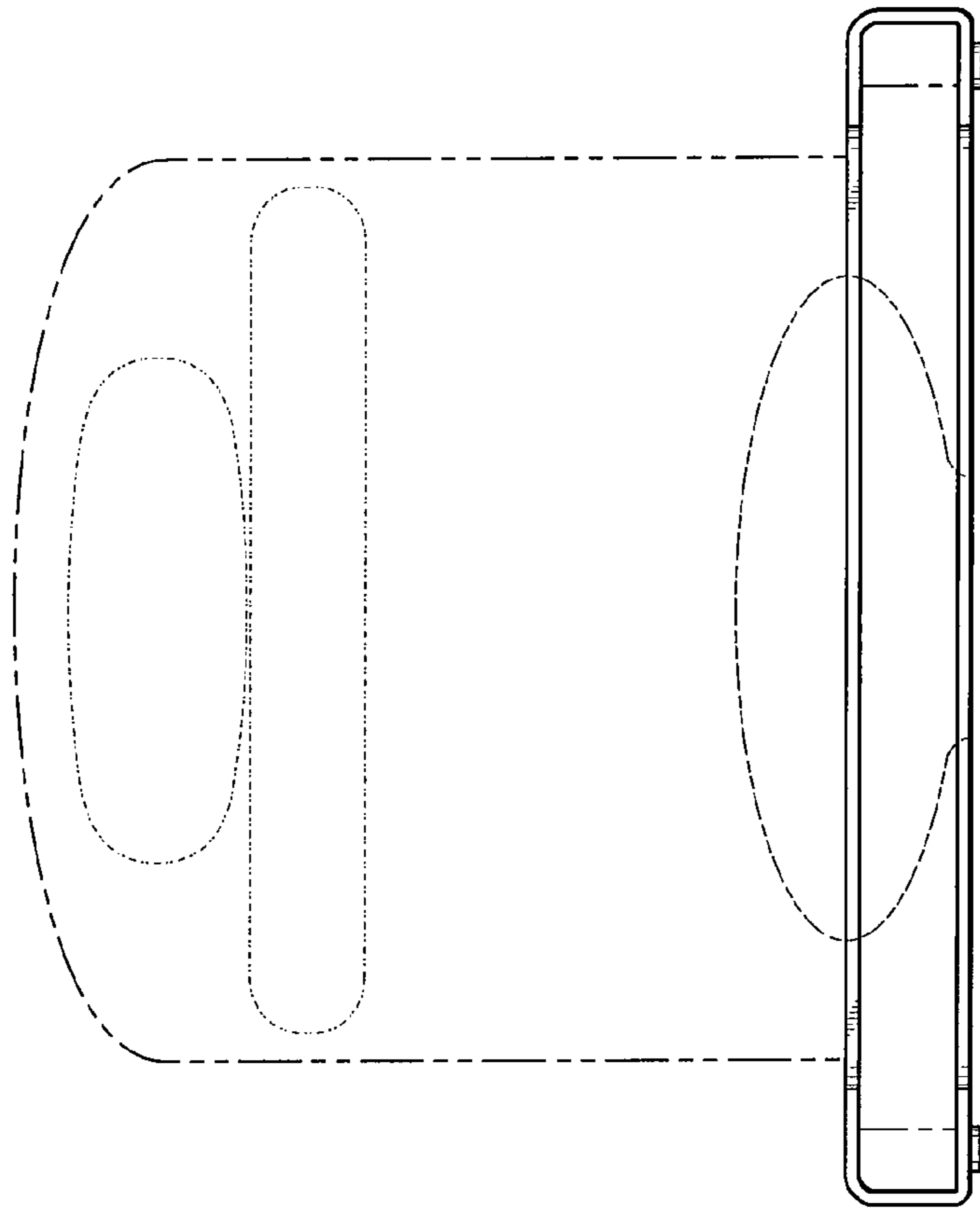


Fig. 5

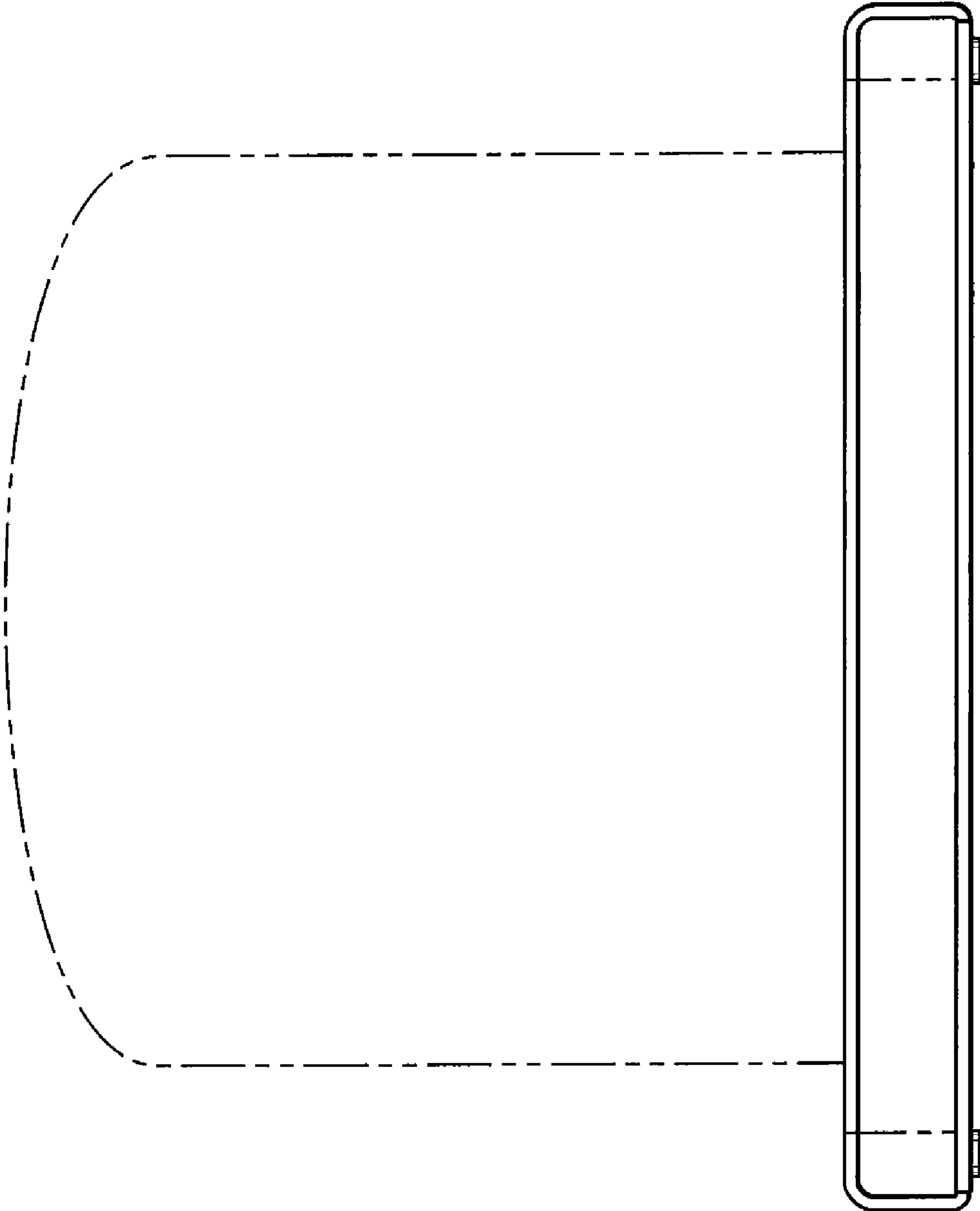


Fig. 6