



US00D566421S

(12) **United States Design Patent**
Spah

(10) **Patent No.:** **US D566,421 S**

(45) **Date of Patent:** **** Apr. 15, 2008**

(54) **COUNTER**

(75) Inventor: **Uwe Spah**, Mulheim (DE)

(73) Assignee: **Alfred Spah - Innenausbau GmbH**
(DE)

(**) Term: **14 Years**

(21) Appl. No.: **29/256,866**

(22) Filed: **Mar. 24, 2006**

(30) **Foreign Application Priority Data**

Sep. 30, 2005 (DE) 4 05 05 080

(51) **LOC (8) Cl.** **06-04**

(52) **U.S. Cl.** **D6/445**

(58) **Field of Classification Search** D6/432-448,
D6/474, 419; 312/203-204, 198
See application file for complete search history.

(56) **References Cited**

U.S. PATENT DOCUMENTS

D284,124 S *	6/1986	Haruguchi et al.	D32/6
D340,819 S *	11/1993	Hutchinson	D6/439
D402,824 S *	12/1998	Gareau et al.	D6/419
D440,428 S *	4/2001	Melillo	D6/445
D454,262 S *	3/2002	Chu et al.	D6/446
D500,929 S *	1/2005	Walker	D6/446
D534,370 S *	1/2007	Charnik	D6/446
D538,551 S *	3/2007	Spah	D6/436

* cited by examiner

Primary Examiner—Elizabeth A. Albert

Assistant Examiner—Kelley A. Donnelly

(74) *Attorney, Agent, or Firm*—Harness, Dickey & Pierce,
P.L.C.

(57) **CLAIM**

The ornamental design for a counter, as shown and described.

DESCRIPTION

FIG. 1 is a front view of one embodiment of a counter embodying my new design;

FIG. 2 is a rear view thereof;

FIG. 3 is a right side view thereof;

FIG. 4 is a left side view thereof;

FIG. 5 is a top view thereof;

FIG. 6 is a bottom view thereof;

FIG. 7 is a front view of another embodiment of a counter embodying my new design;

FIG. 8 is a rear view thereof;

FIG. 9 is a right side view thereof;

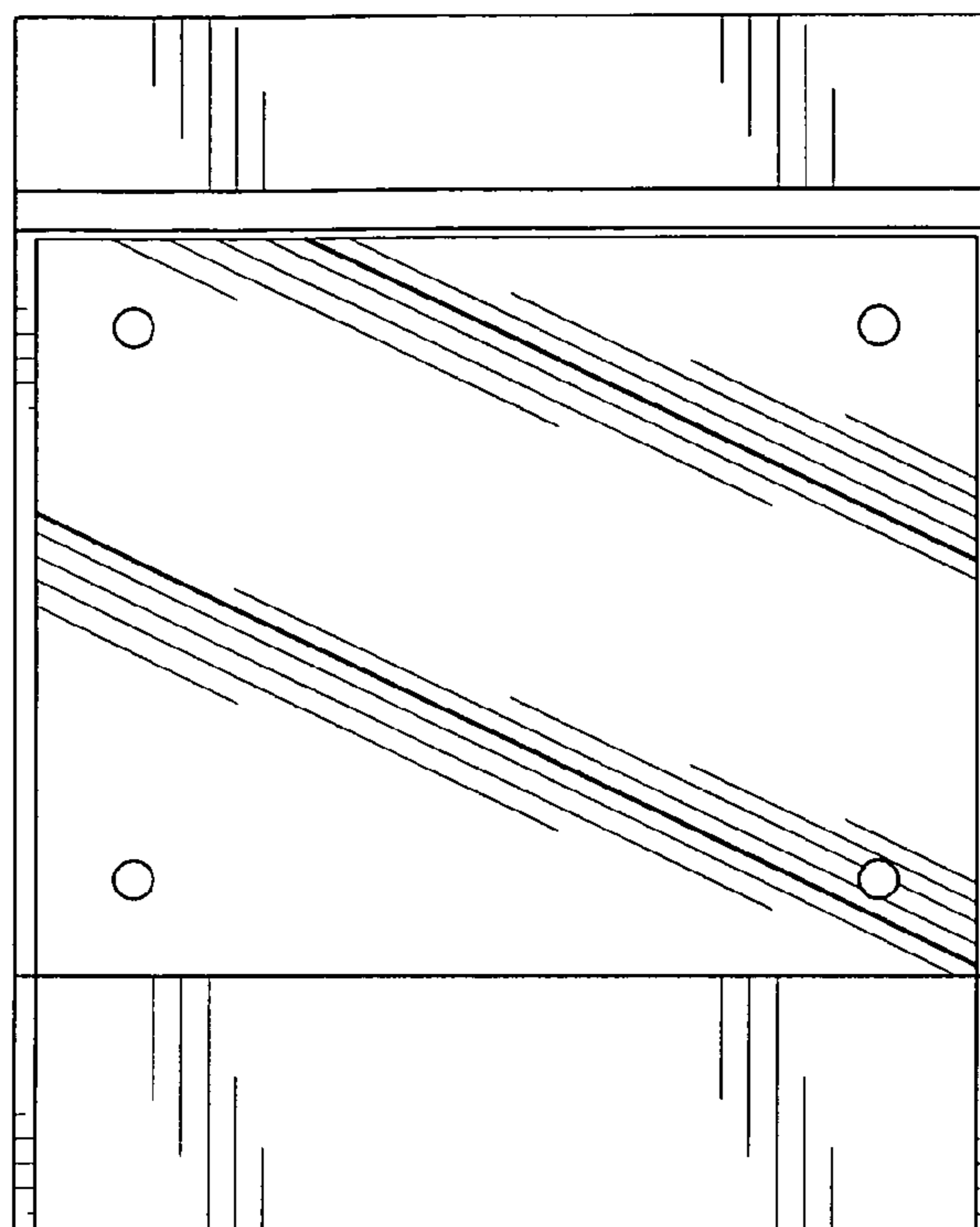
FIG. 10 is a left side view thereof;

FIG. 11 is a top view thereof; and,

FIG. 12 is a bottom view thereof.

The broken lines of the handles are for the purpose of illustrating environment only and form no part of the claimed design.

1 Claim, 6 Drawing Sheets



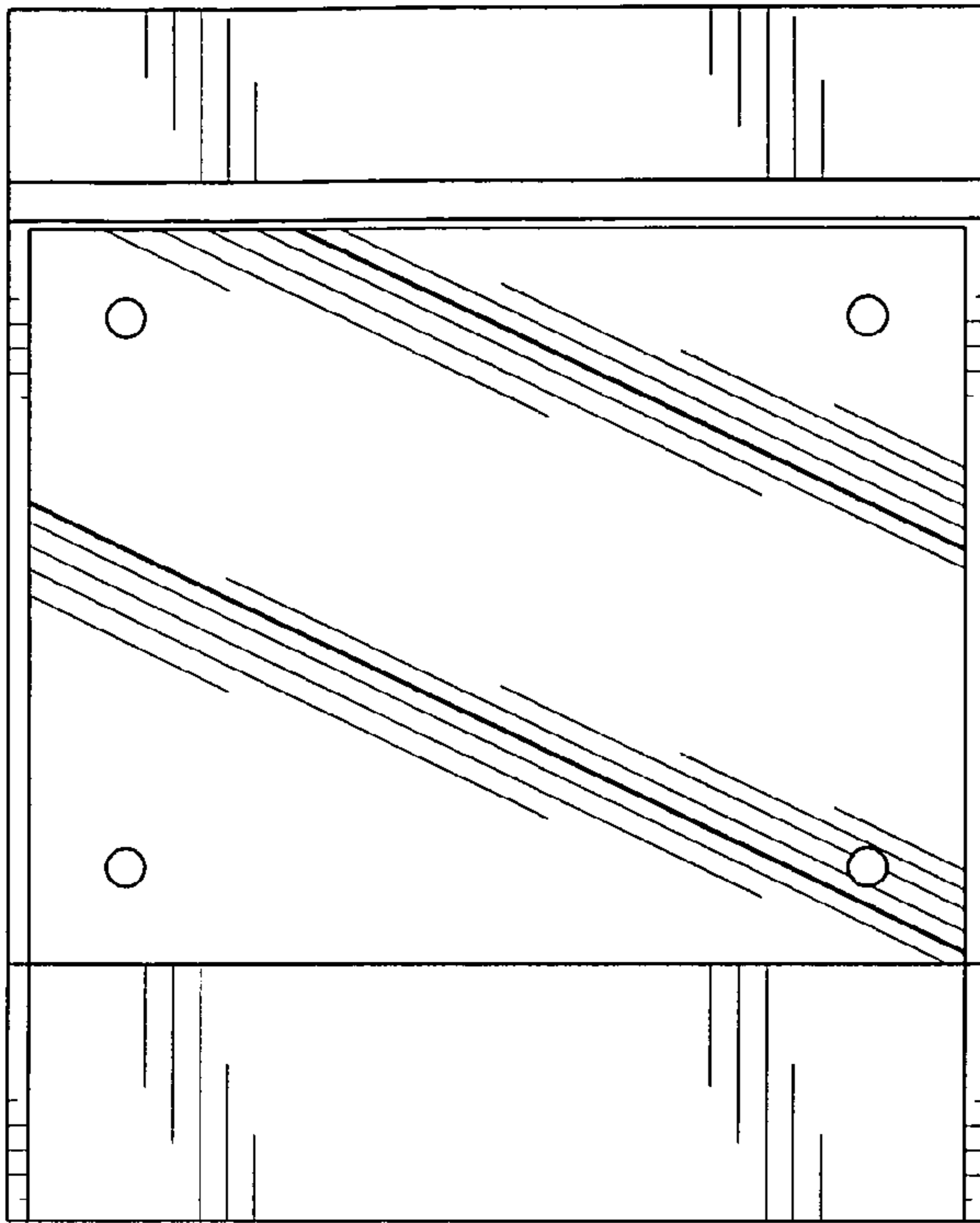


Fig-1

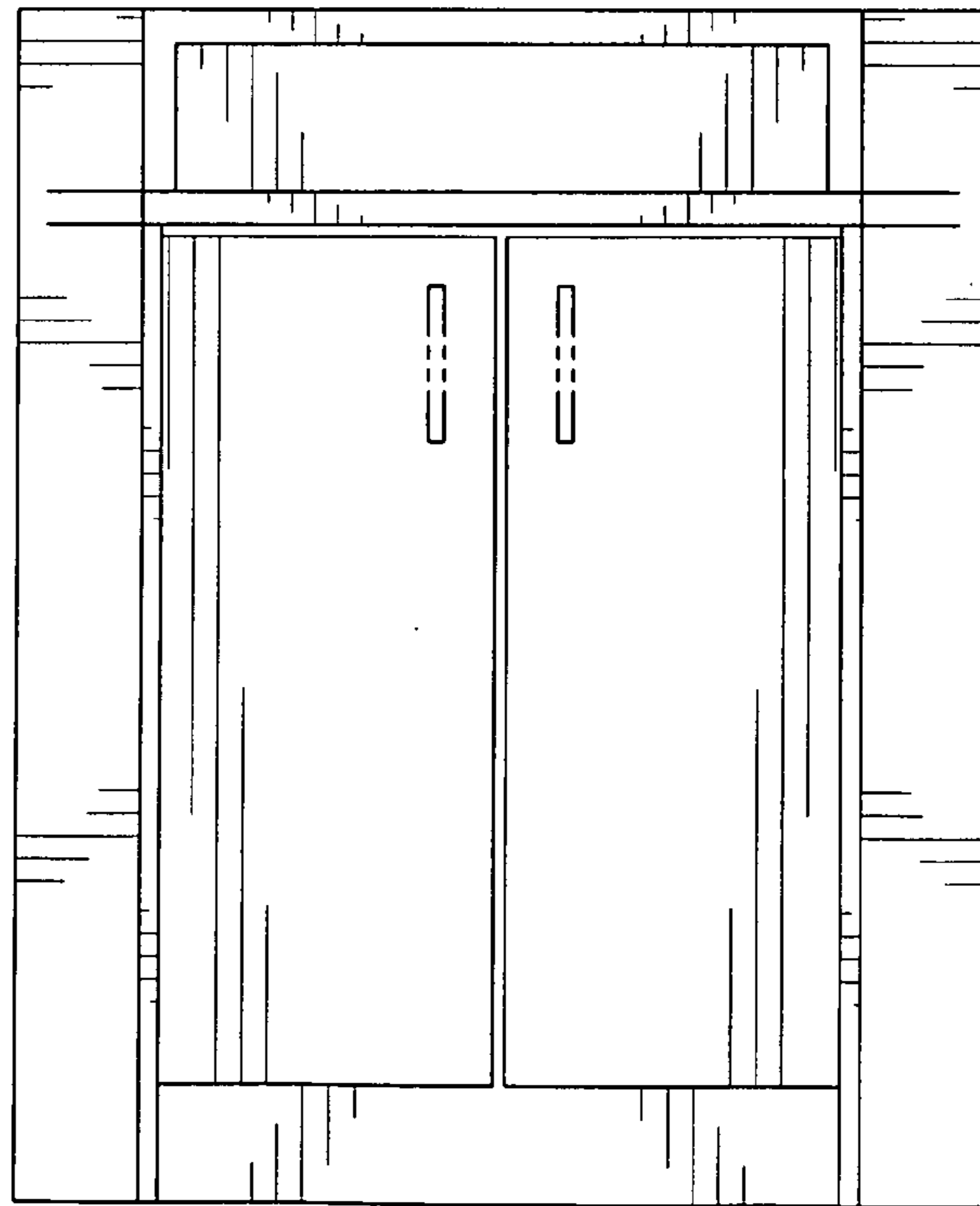


Fig-2

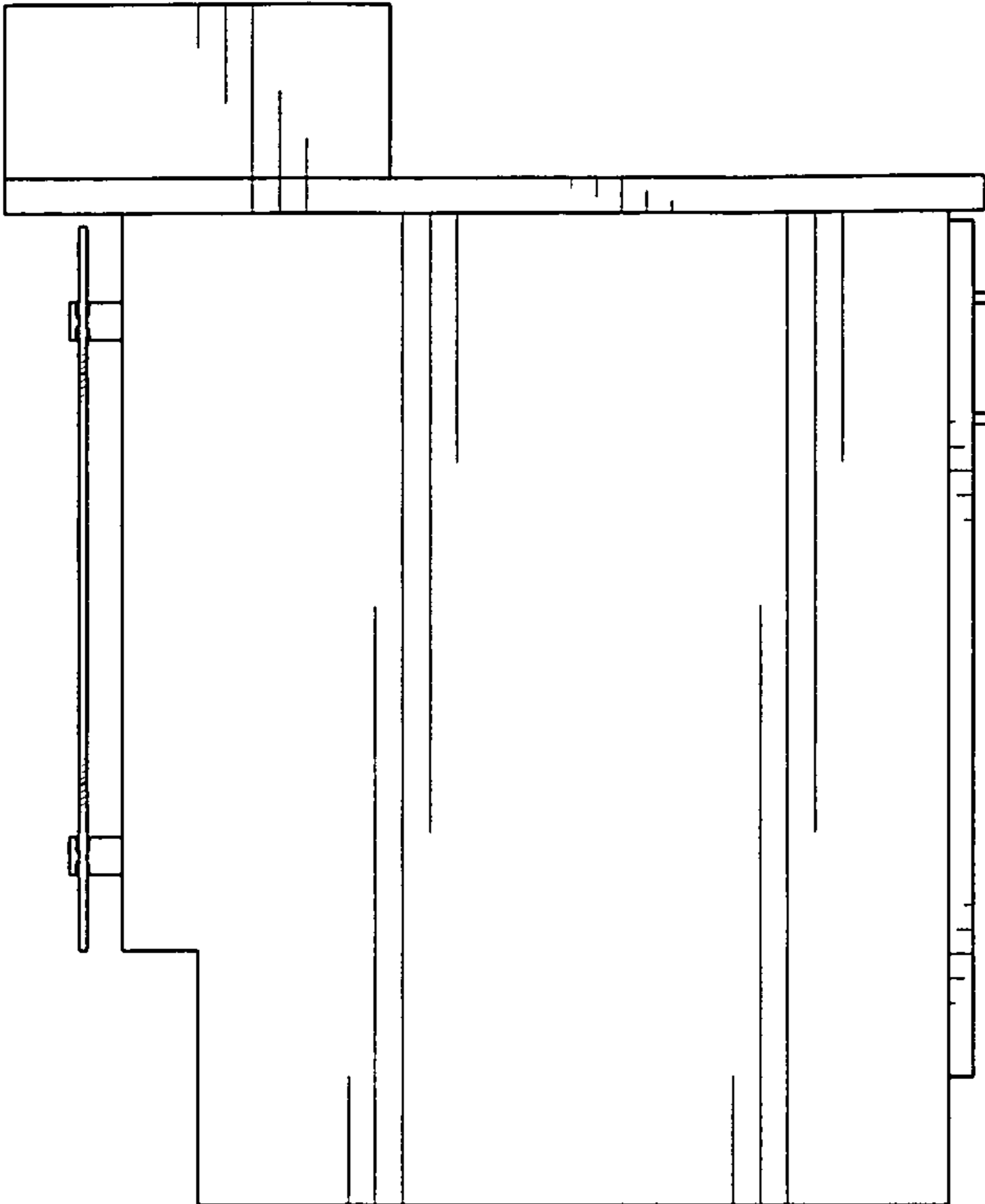


Fig-3

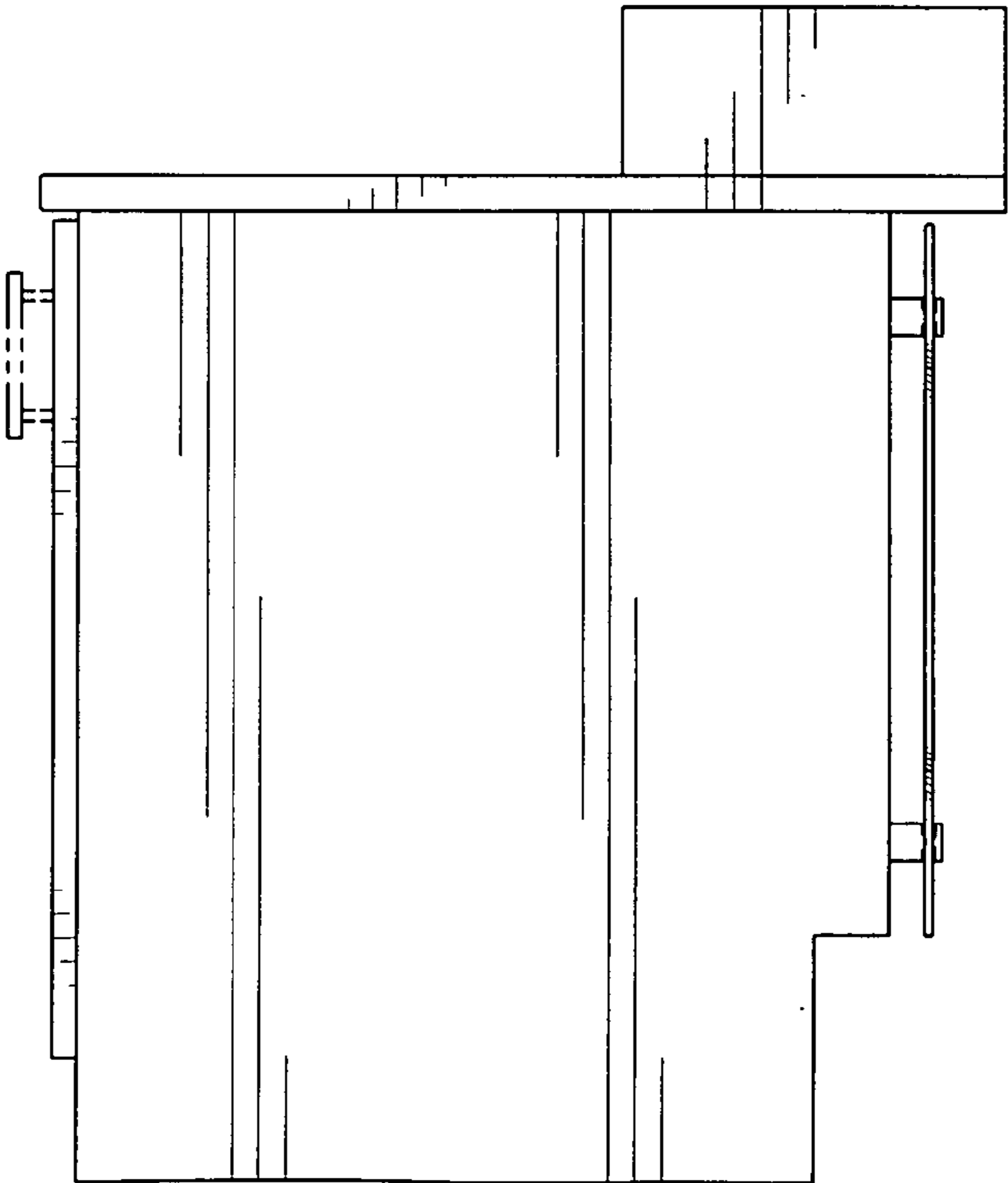


Fig-4

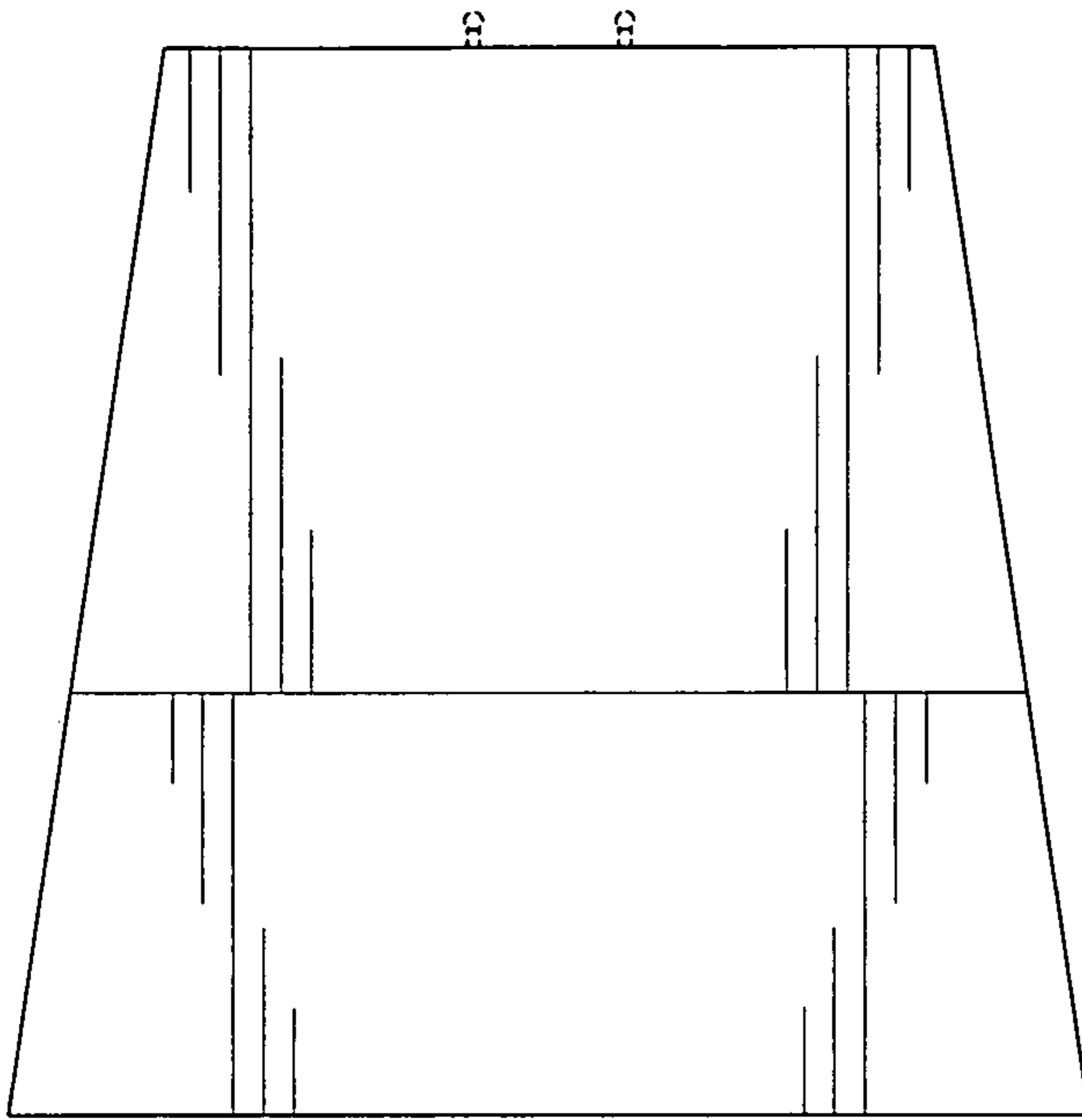


Fig-5

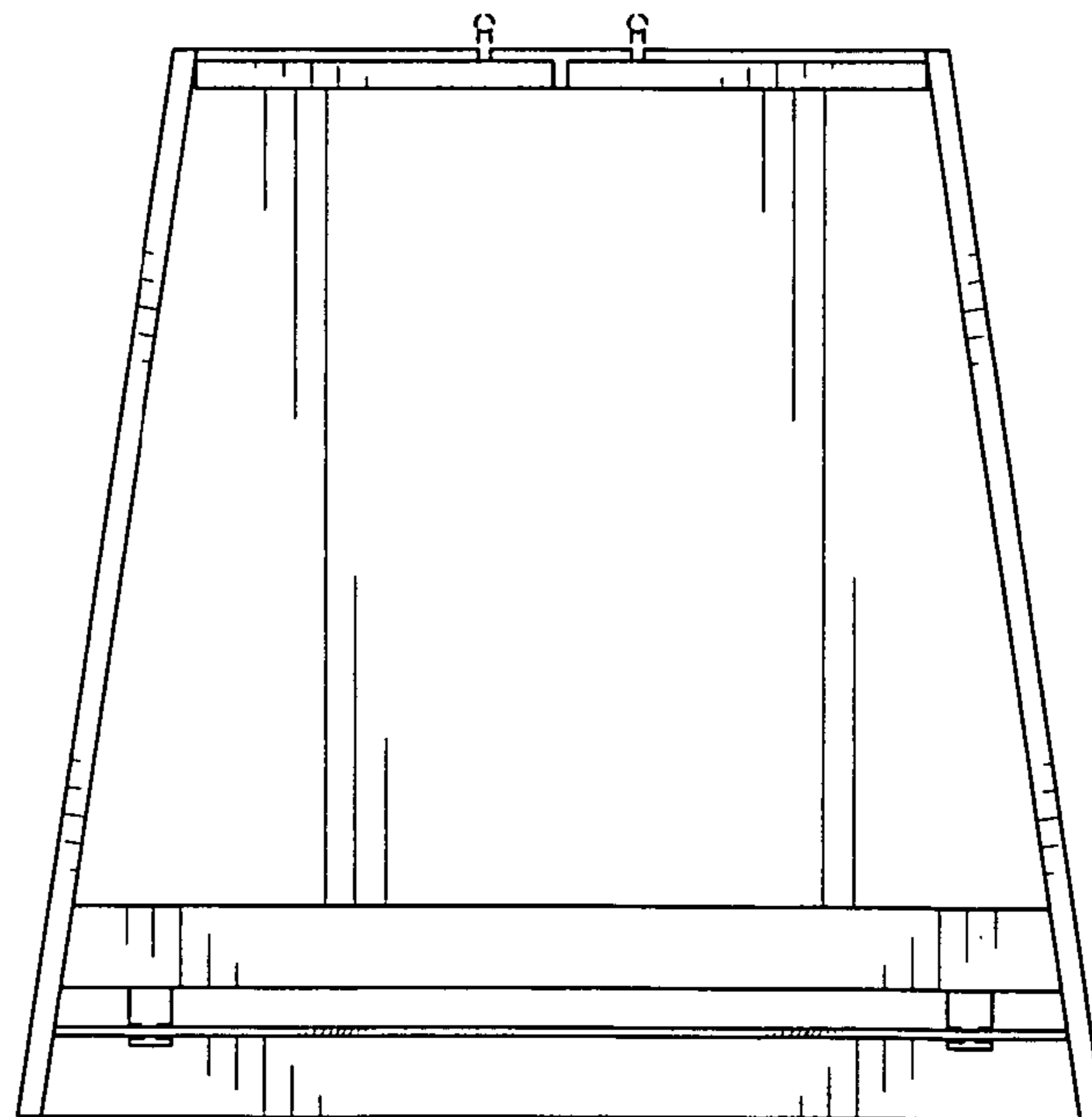


Fig-6

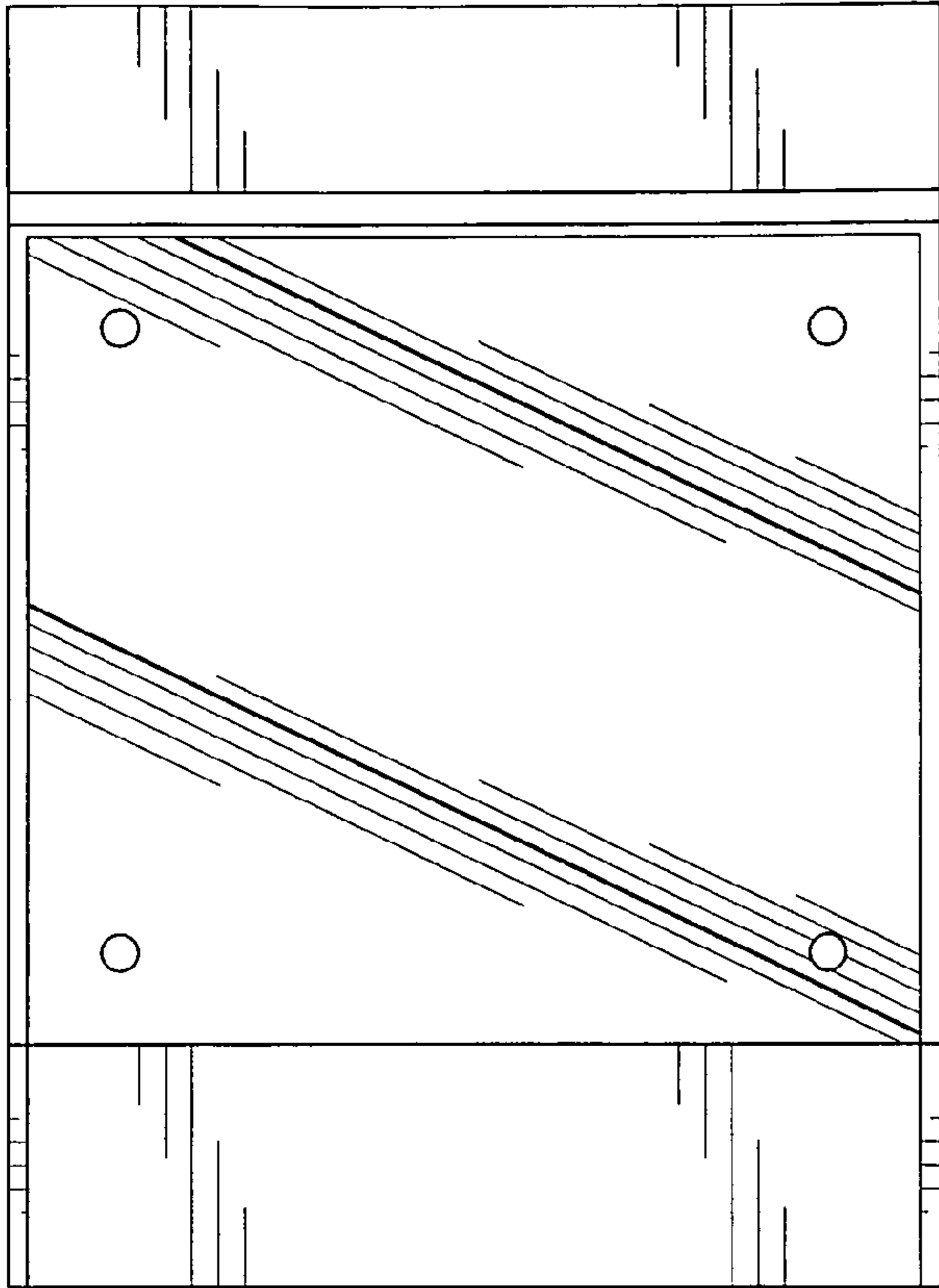


Fig-7

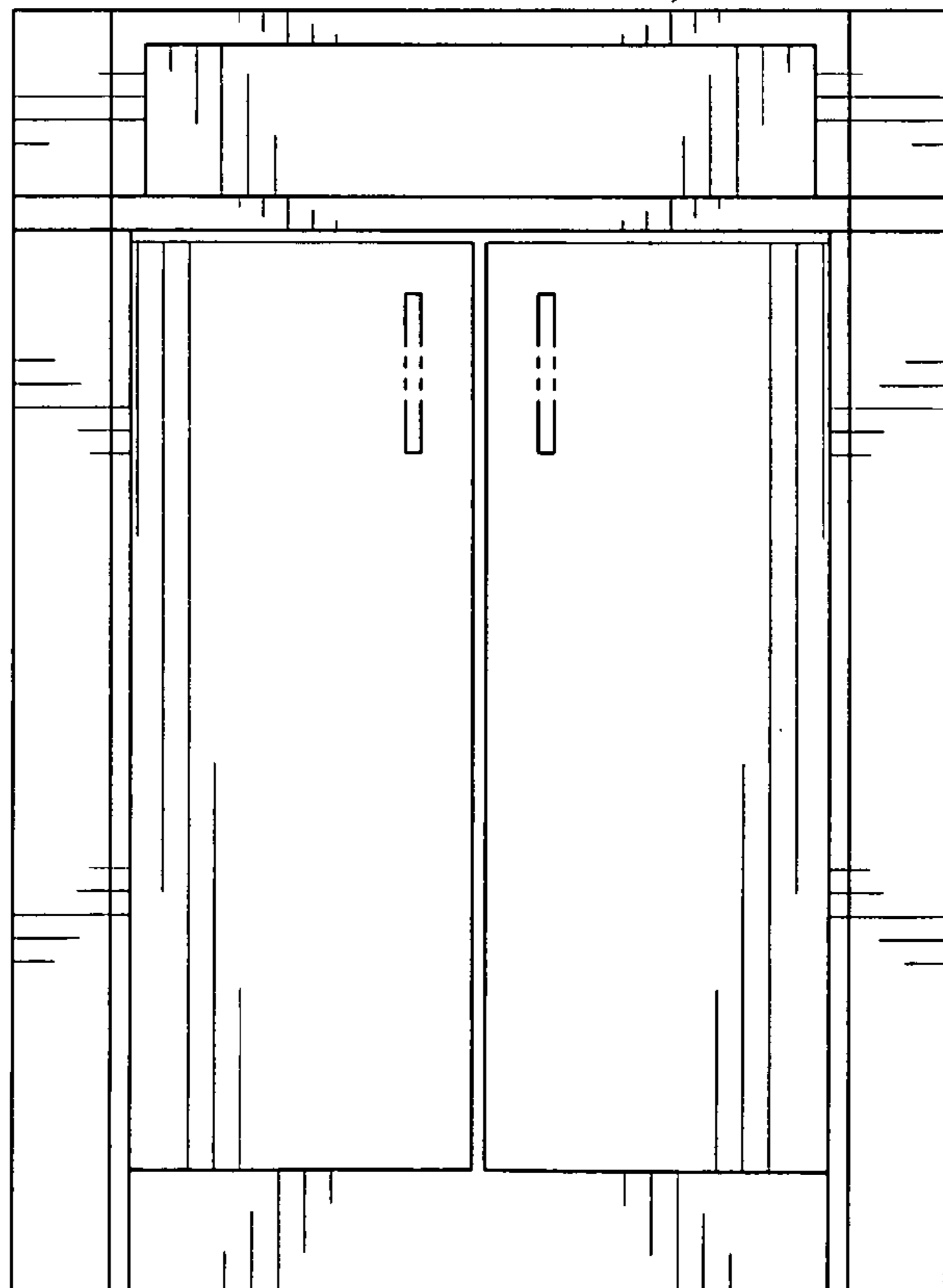


Fig-8

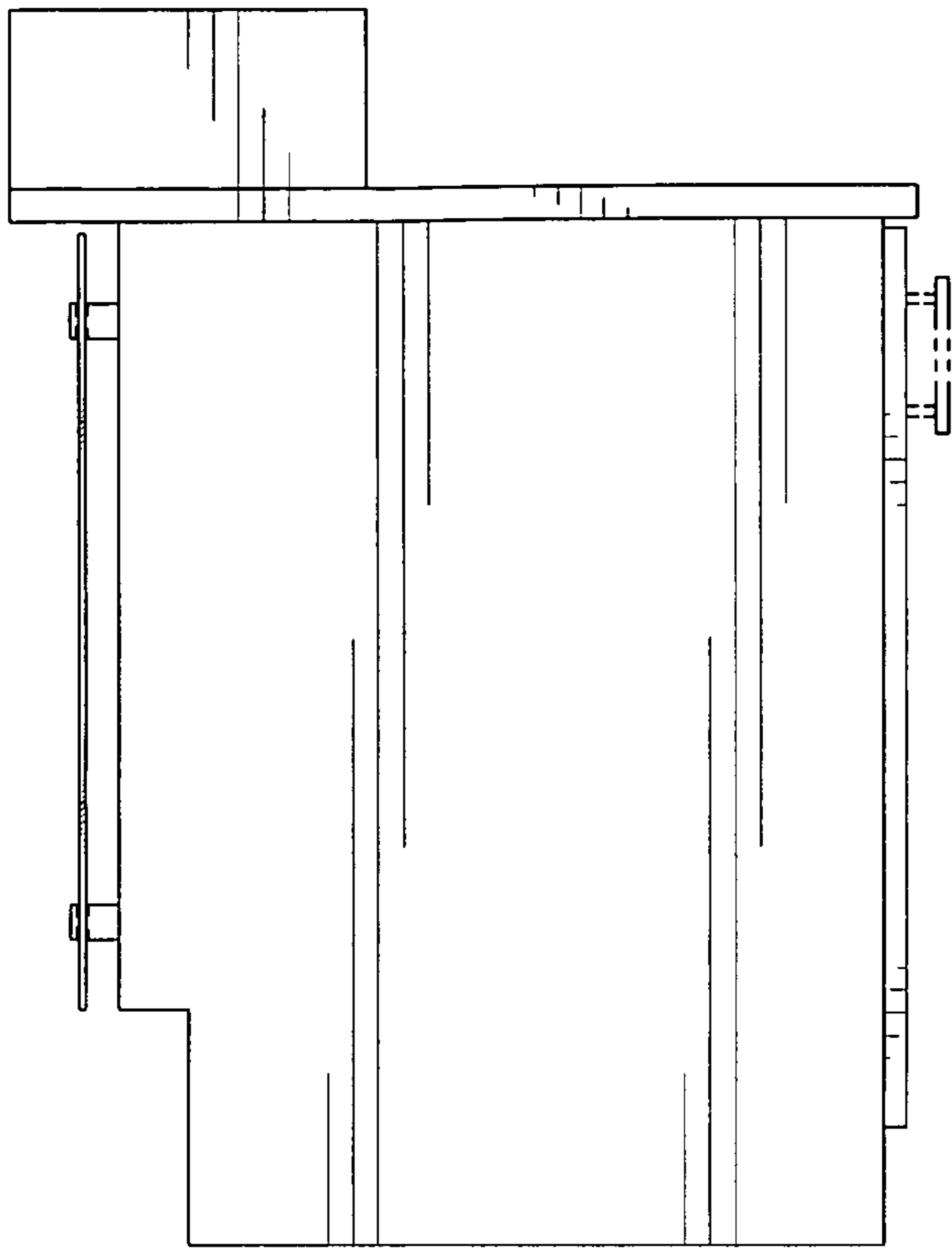


Fig-9

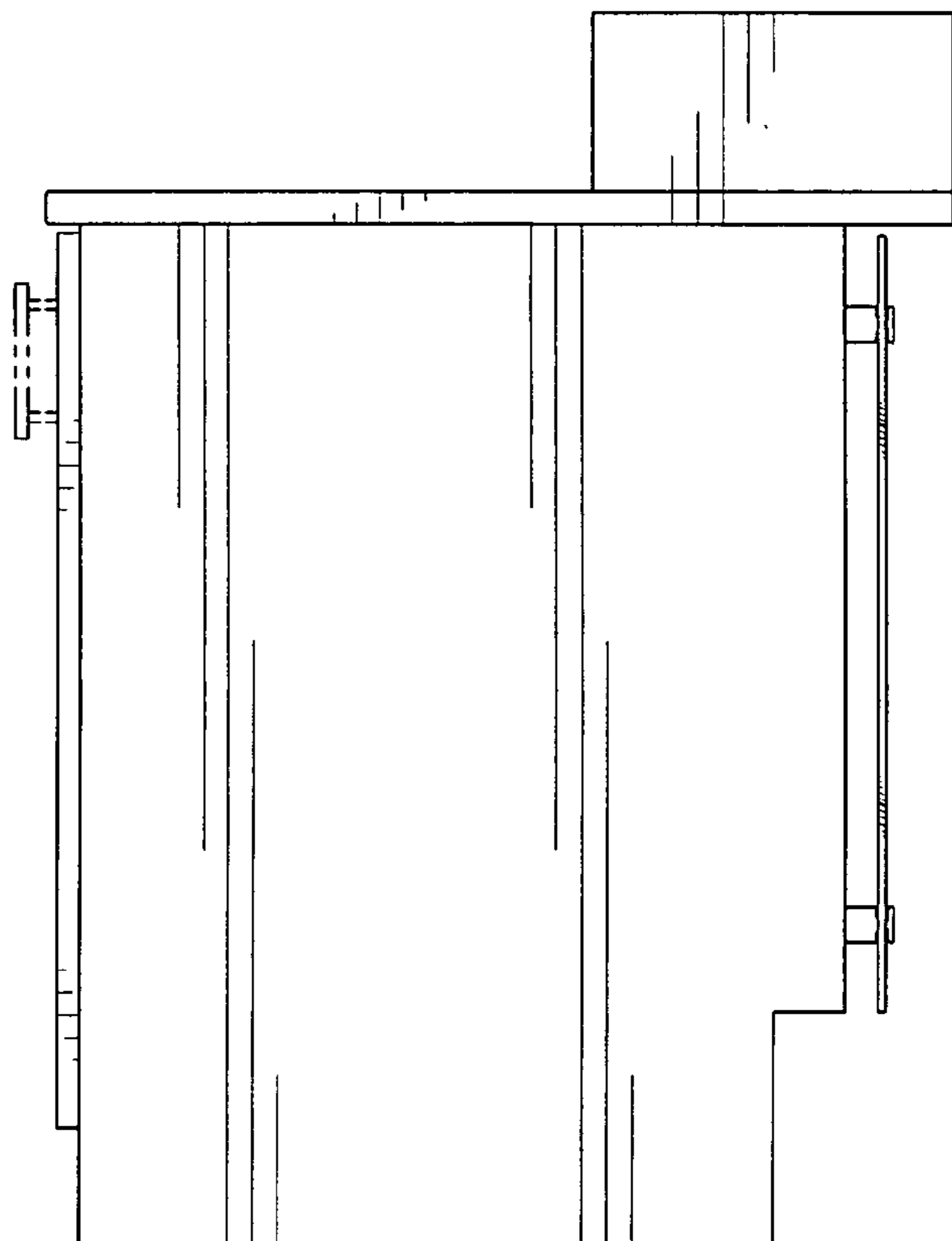


Fig-10

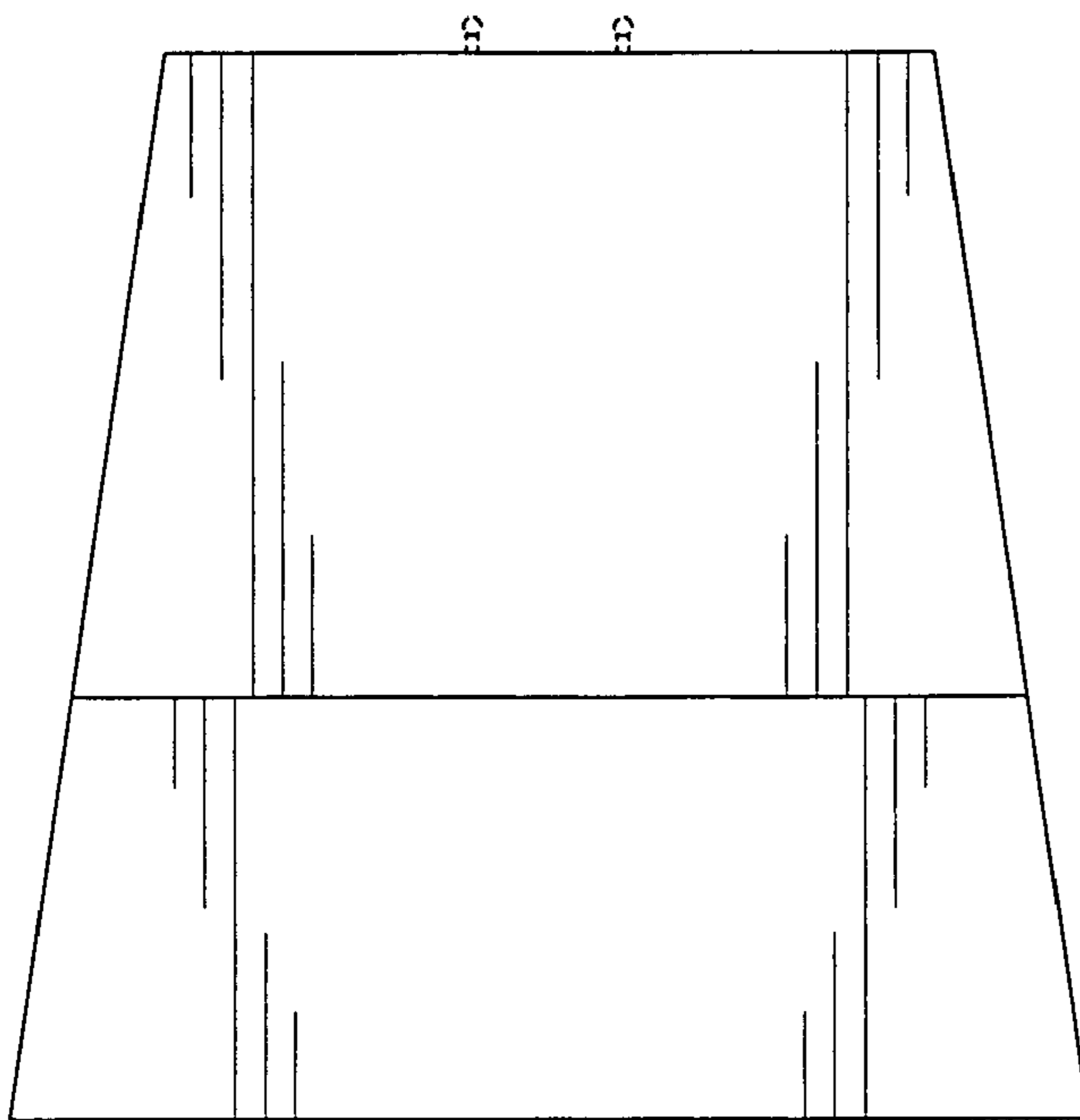


Fig-11

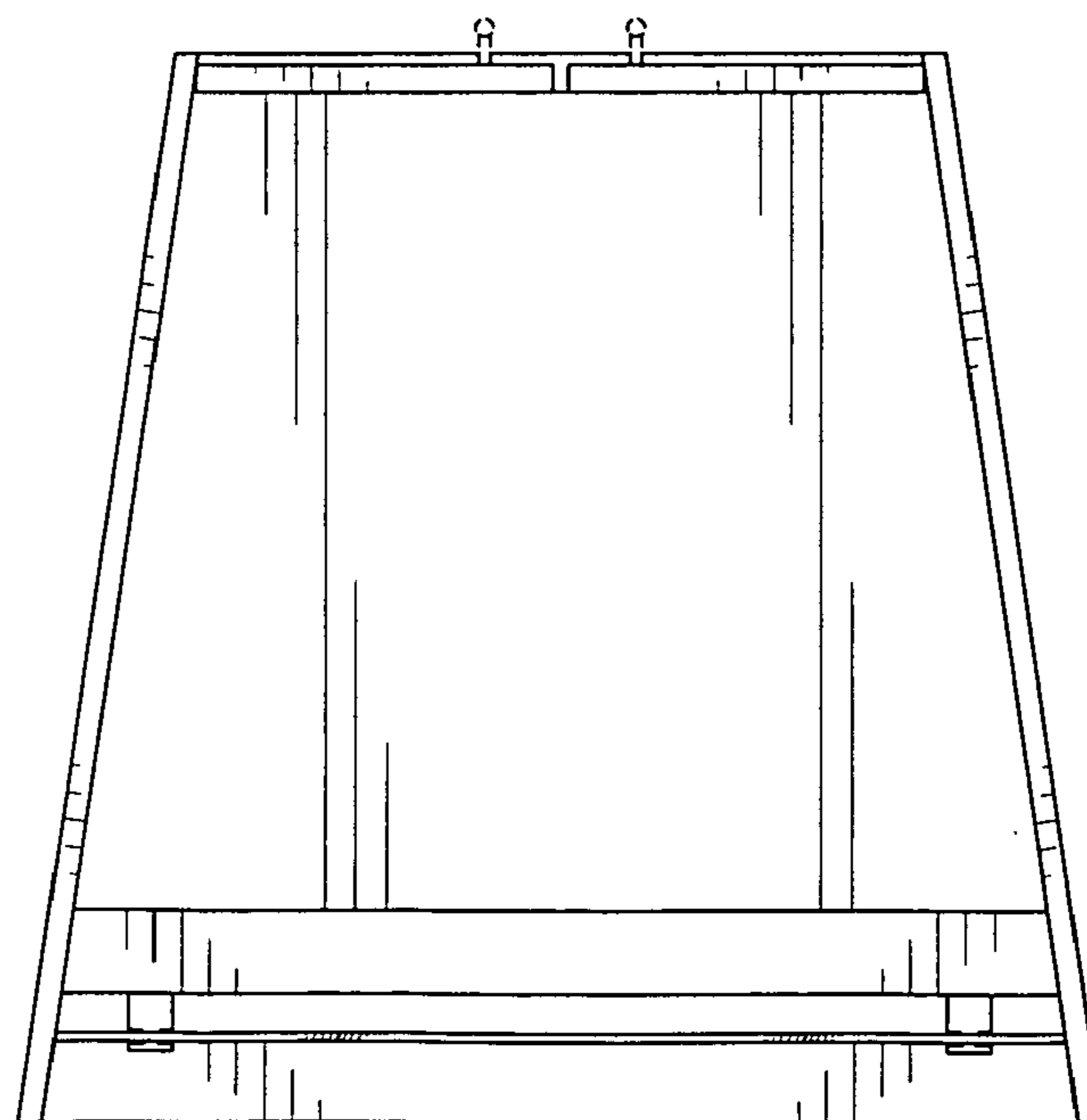


Fig-12