



US00D566419S

(12) **United States Design Patent**  
**Naim**

(10) **Patent No.:** **US D566,419 S**  
(45) **Date of Patent:** **\*\* Apr. 15, 2008**

(54) **WORKBENCH**

(75) Inventor: **Eliyahu Naim**, Carmiel (IL)

(73) Assignee: **Keter Plastic Ltd.**, Herzelyia (IL)

(\*\*) Term: **14 Years**

(21) Appl. No.: **29/268,188**

(22) Filed: **Nov. 1, 2006**

(51) **LOC (8) Cl.** ..... **06-07**

(52) **U.S. Cl.** ..... **D6/400**

(58) **Field of Classification Search** ..... D6/400,  
D6/396, 397, 477, 468, 465, 461, 455, 478,  
D6/514, 629, 355, 349, 430, 429; 269/16,  
269/139, 220, 154; 108/29, 27, 64, 59, 42,  
108/56.1, 115, 158.12, 157.16; 312/280,  
312/430; 144/286.1

See application file for complete search history.

*Primary Examiner*—Janice E. Seeger

*Assistant Examiner*—Sydney R. Buffalow

(74) *Attorney, Agent, or Firm*—The Nath Law Group; Jerald L. Meyer; Derek Richmond

(57) **CLAIM**

The ornamental design for a workbench, as shown and described.

**DESCRIPTION**

FIG. 1 is a an isometric view of a workbench in a open position;

FIG. 2 is a front view of FIG. 1, rear view being a mirror image thereof;

FIG. 3 is a side view of FIG. 1, other side being a mirror image thereof;

FIG. 4 is a top view of FIG. 1;

FIG. 5 is a bottom view of FIG. 1;

FIG. 6 is an isometric view of the workbench in an open position, with legs extracted;

FIG. 7 is an isometric view of a workbench in a closed position;

FIG. 8 is a front view of FIG. 7;

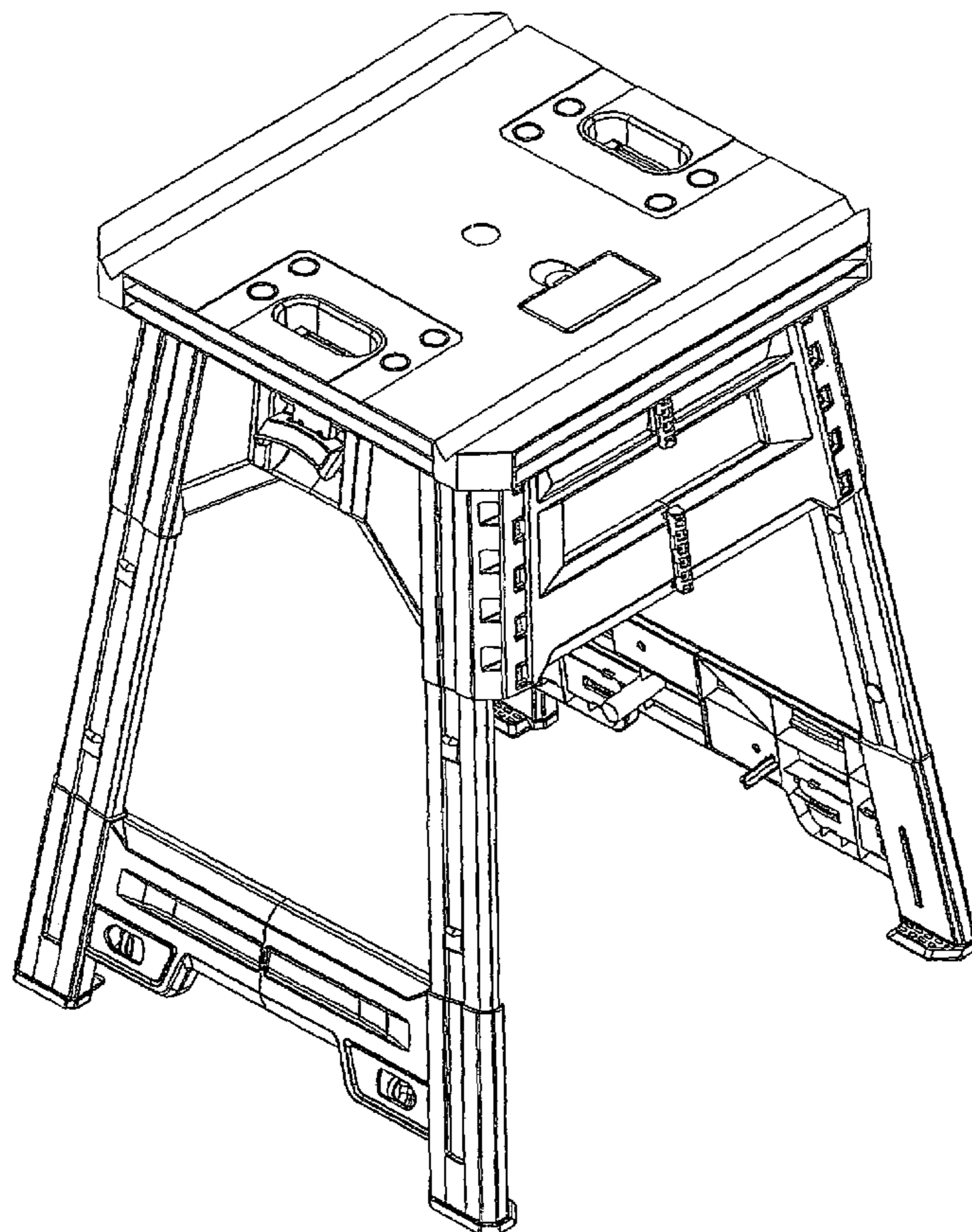
FIG. 9 is a rear view of FIG. 7;

FIG. 10 is a side view of FIG. 7, the other side being a mirror image thereof;

FIG. 11 is a top view of FIG. 7; and,

FIG. 12 is a bottom view of FIG. 7.

**1 Claim, 12 Drawing Sheets**



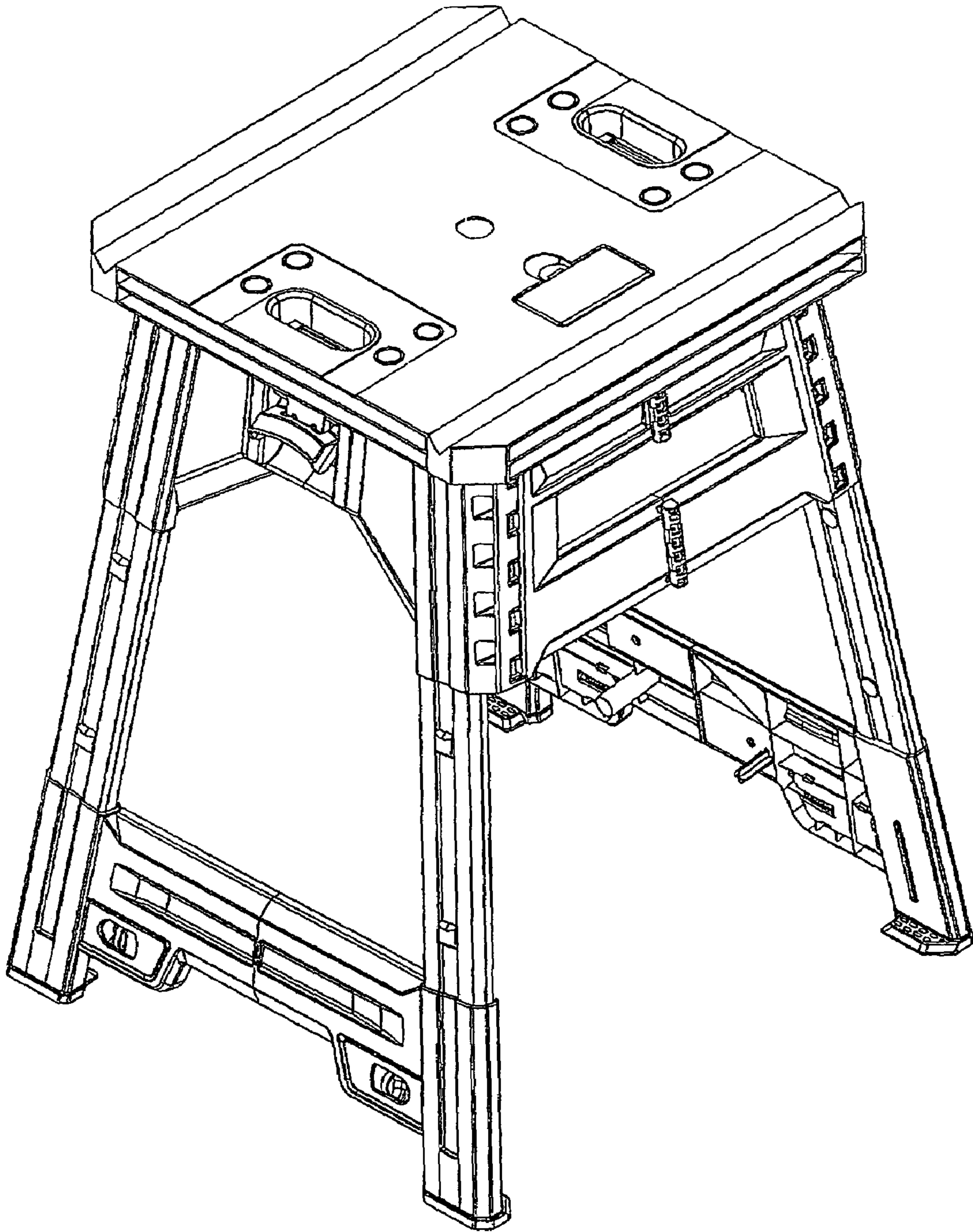


FIG. 1

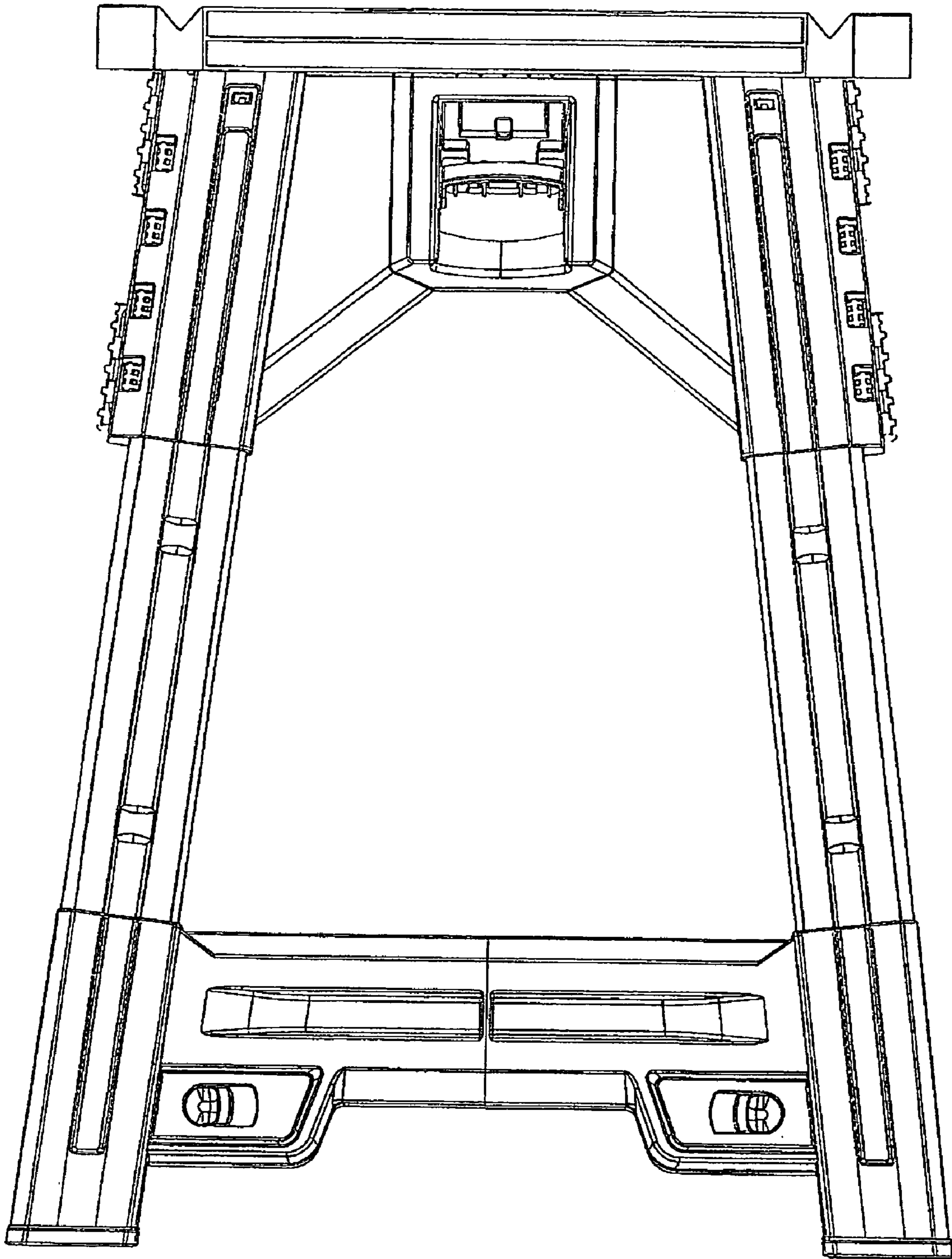


FIG. 2

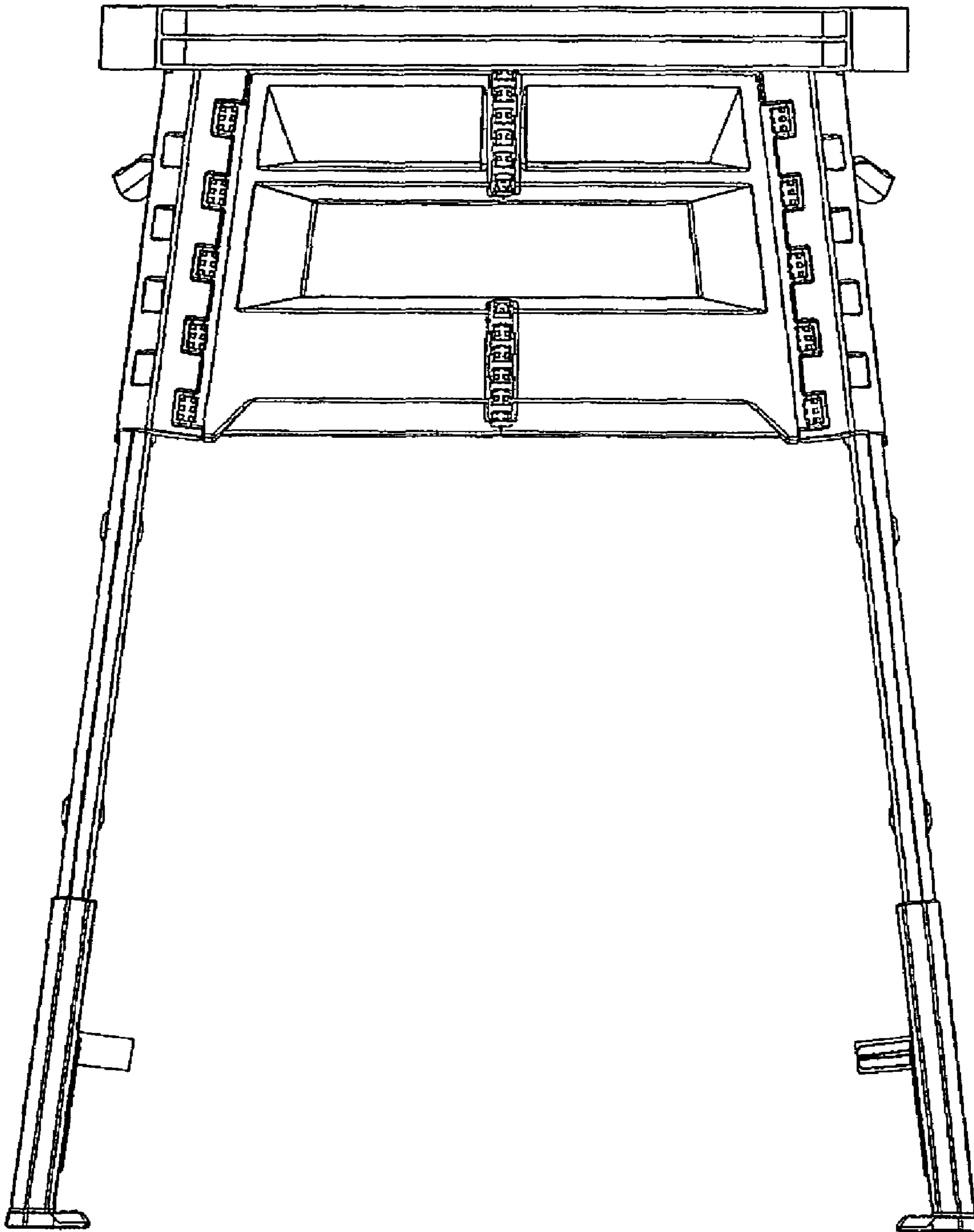


FIG. 3

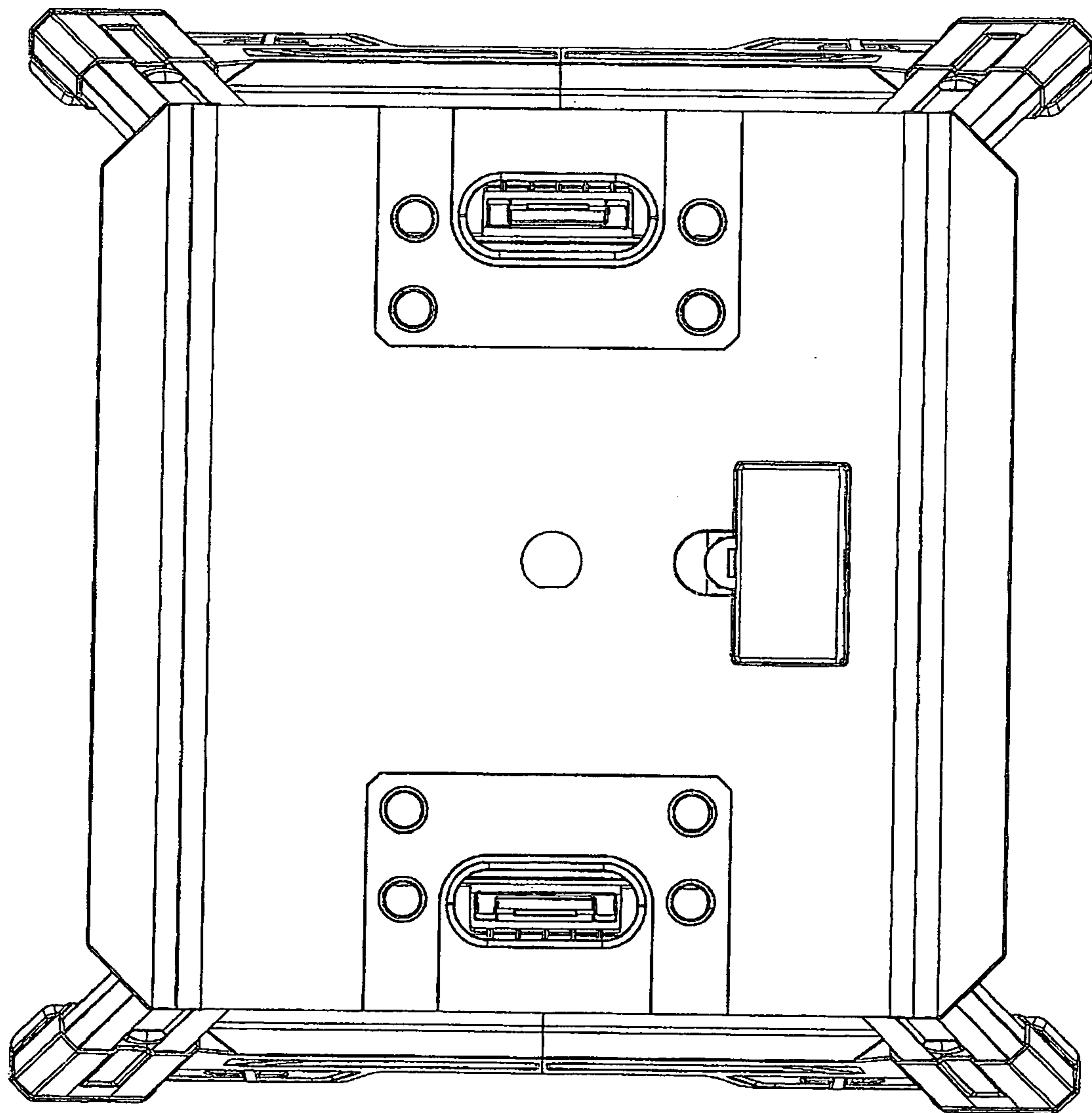


FIG. 4

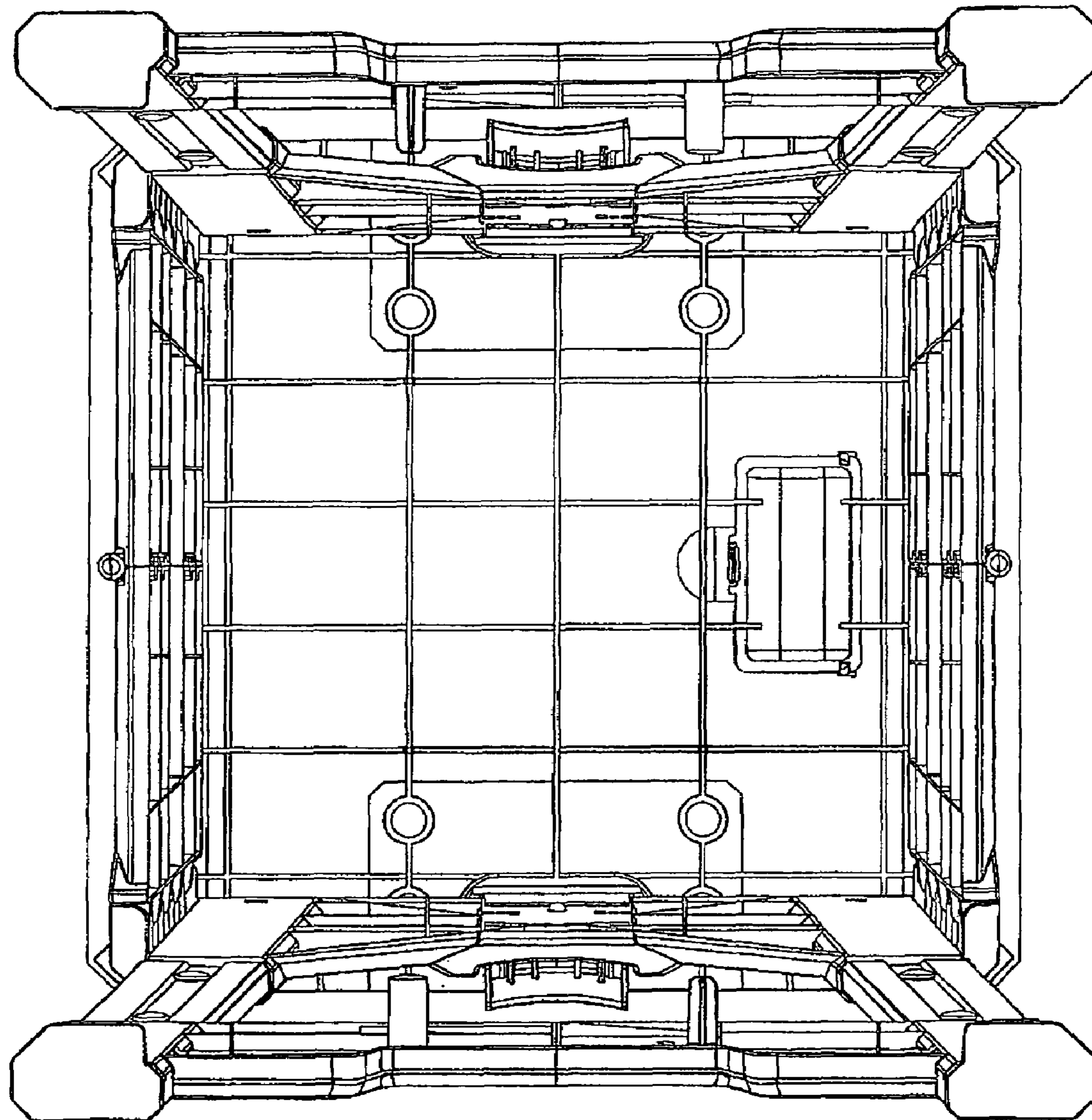


FIG. 5

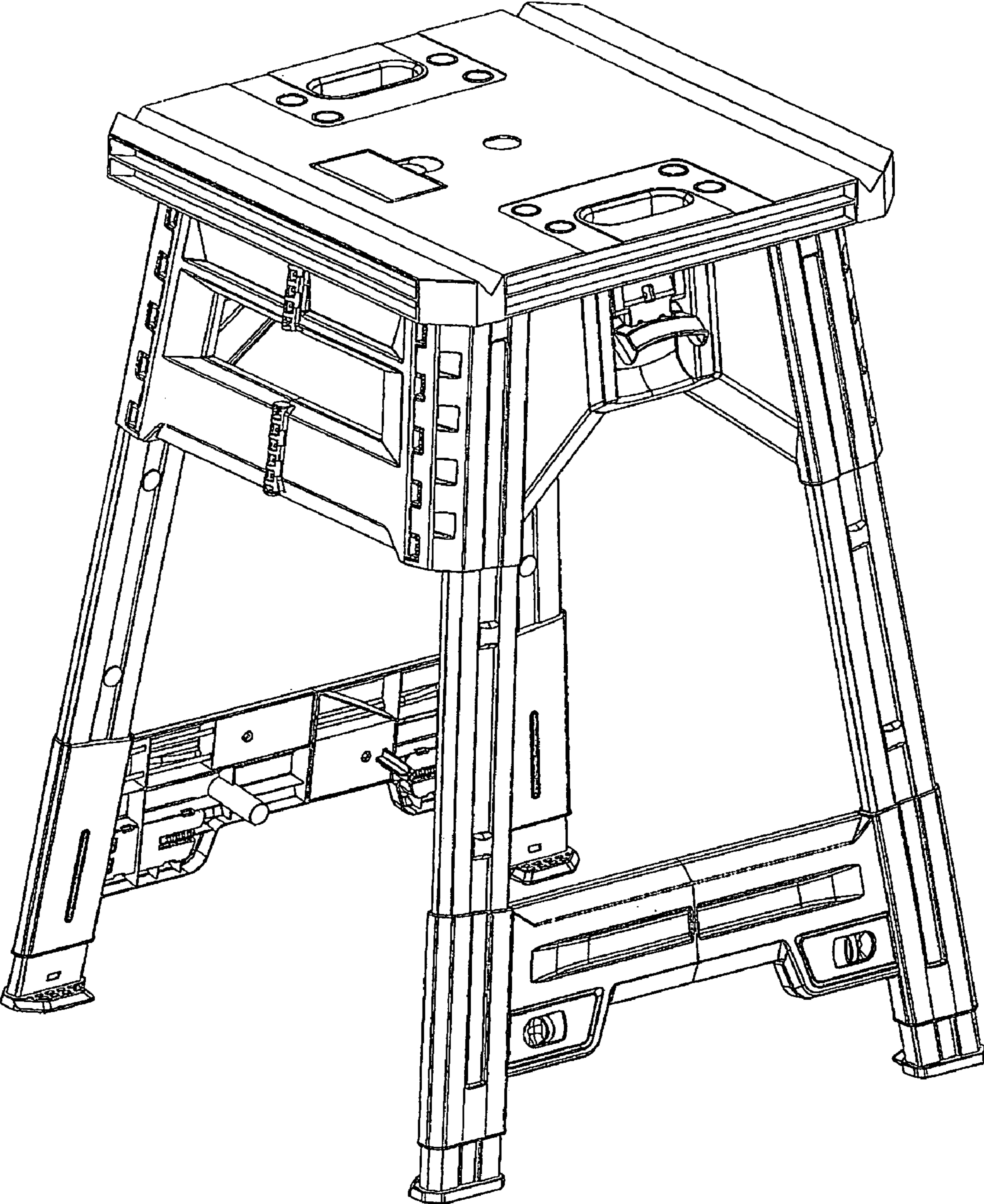


FIG. 6

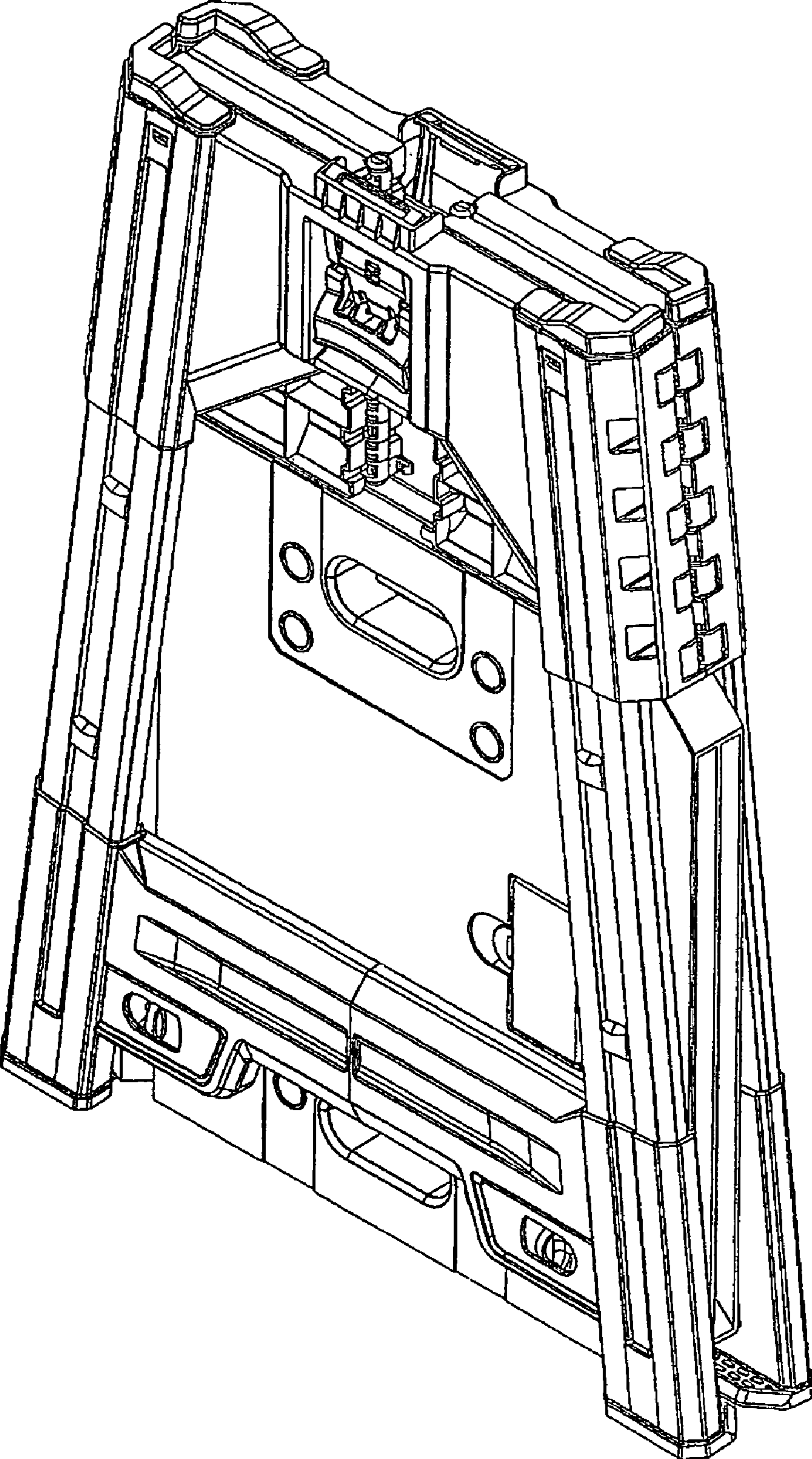


FIG. 7



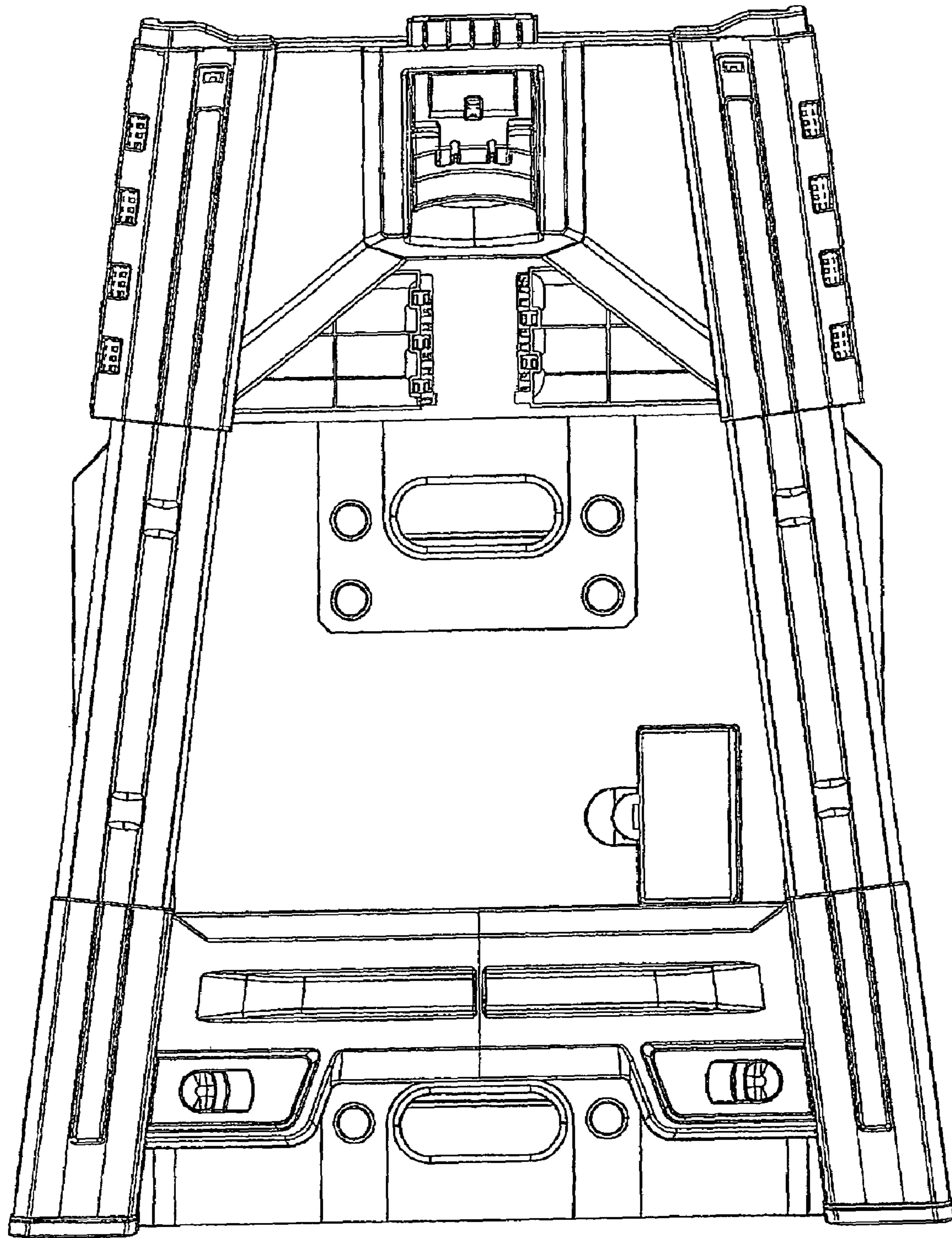


FIG. 8

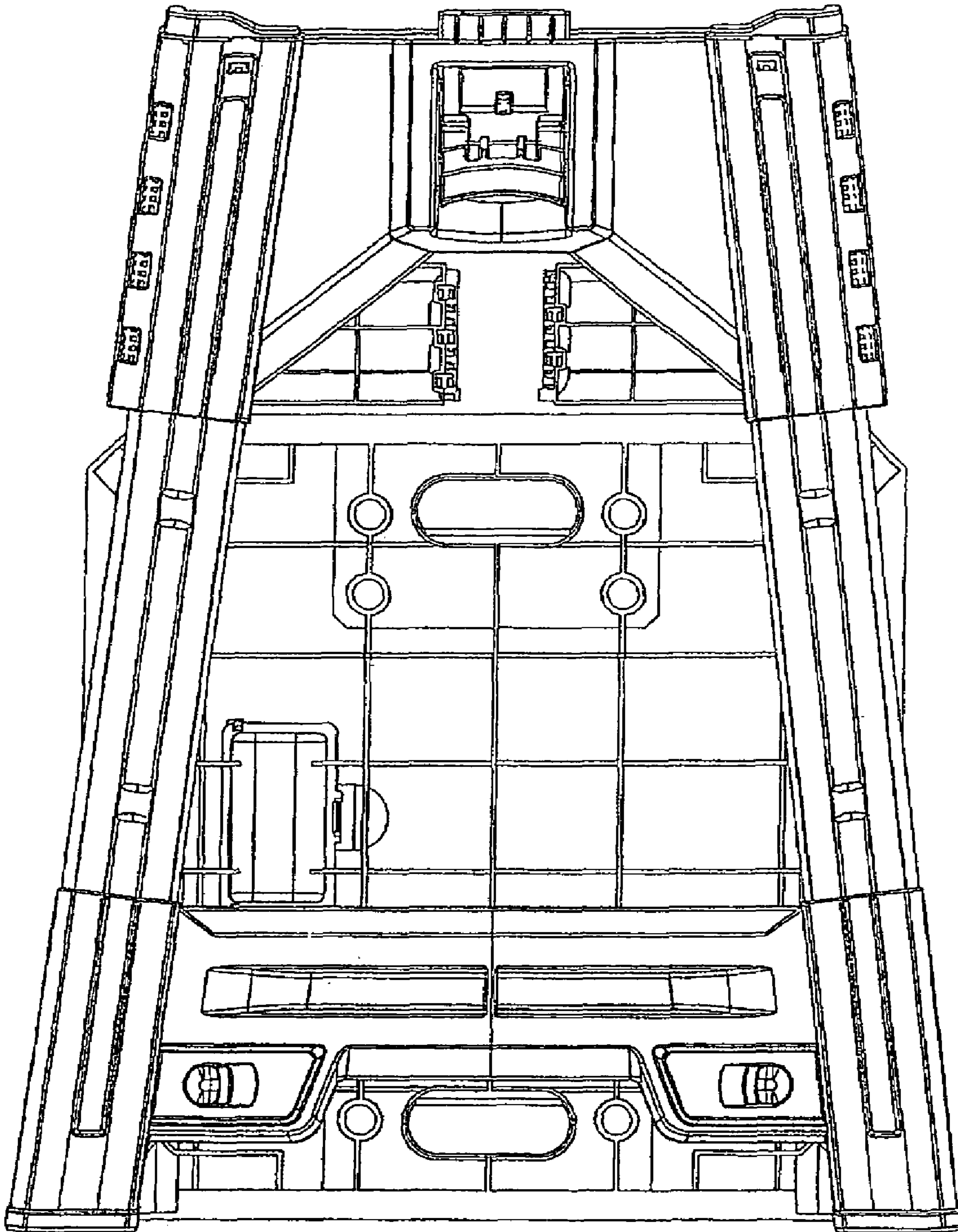


FIG. 9

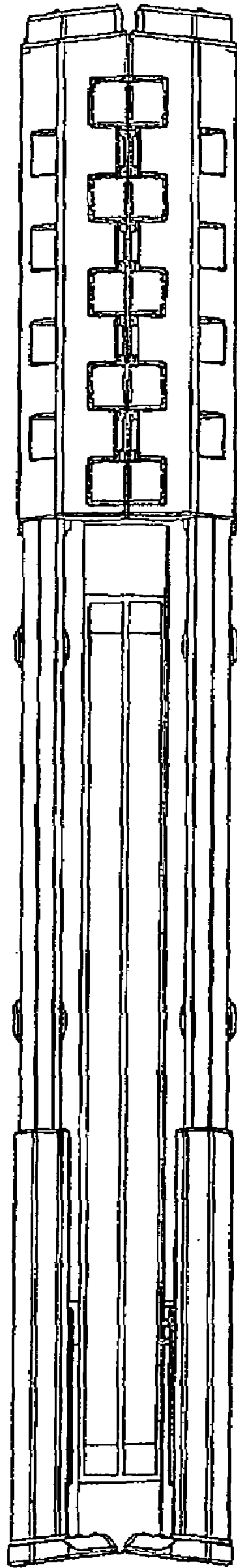


FIG. 10

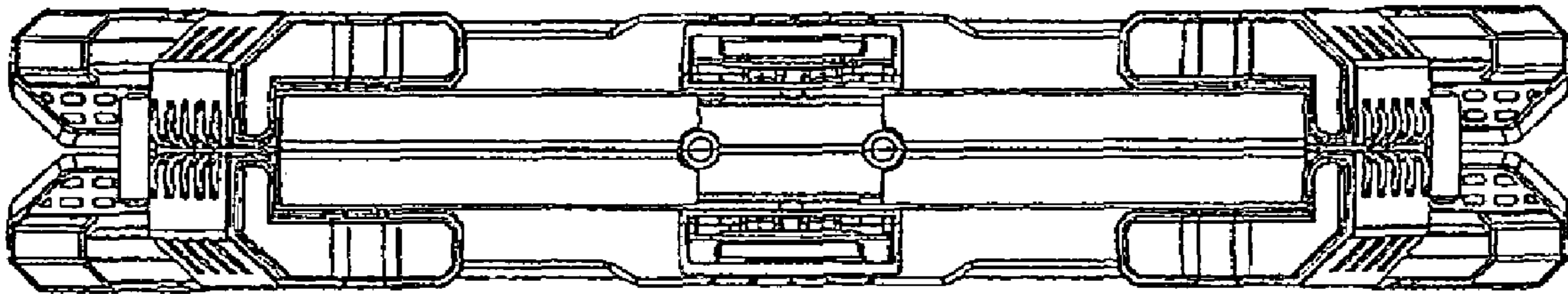


FIG. 11

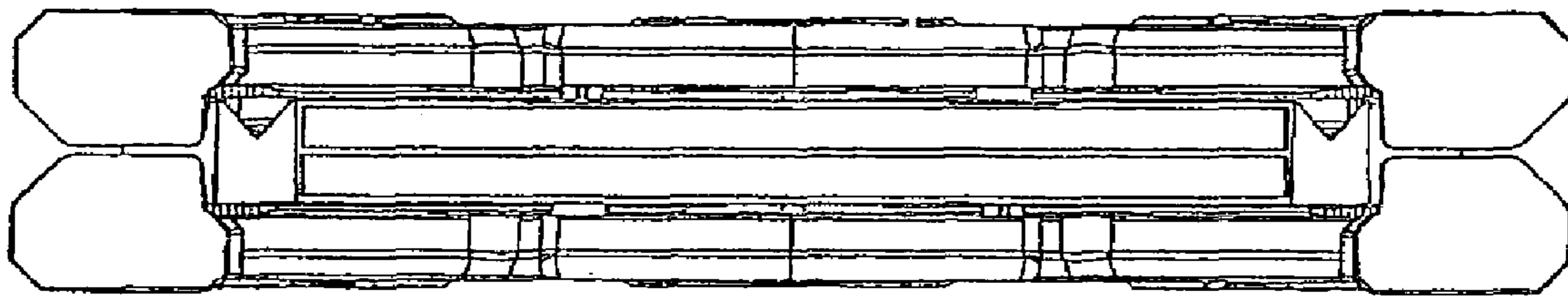


FIG. 12

UNITED STATES PATENT AND TRADEMARK OFFICE  
**CERTIFICATE OF CORRECTION**

PATENT NO. : Des. 566,419 S  
APPLICATION NO. : 29/268188  
DATED : April 15, 2008  
INVENTOR(S) : Eliyahu Naim

Page 1 of 1

It is certified that error appears in the above-identified patent and that said Letters Patent is hereby corrected as shown below:

Title Page, Please delete:

“(51) LOC (8) Cl. .... 06-07”

and replace with

--(51) LOC (8) Cl. .... 06-03--

Signed and Sealed this

Fourteenth Day of July, 2009



JOHN DOLL  
*Acting Director of the United States Patent and Trademark Office*