



US00D566418S

(12) **United States Design Patent**
Draheim

(10) **Patent No.:** **US D566,418 S**
(45) **Date of Patent:** **** Apr. 15, 2008**

- (54) **CONVERTIBLE CRIB**
- (75) Inventor: **Harvey J. Draheim**, Weyauwega, WI (US)
- (73) Assignee: **Delta Enterprise Corp.**, New York, NY (US)

- D269,229 S 6/1983 Brunner
- D269,742 S 7/1983 Brunner
- D273,831 S 5/1984 Brunner
- D274,876 S 7/1984 Mower
- D274,877 S 7/1984 Mower
- D275,537 S 9/1984 Brunner

(**) Term: **14 Years**

(Continued)

(21) Appl. No.: **29/286,309**

FOREIGN PATENT DOCUMENTS

(22) Filed: **Apr. 30, 2007**

FR 365379 6/1906

- (51) **LOC (8) Cl.** **06-01**
- (52) **U.S. Cl.** **D6/390**
- (58) **Field of Classification Search** D6/390,
D6/391, 385, 386, 508; 5/93.1, 93.2, 99.1,
5/101, 103, 105

(Continued)

OTHER PUBLICATIONS

See application file for complete search history.

BabiesRUs—Feb 2, 2005, p. 29, crib at top of page.*

(Continued)

(56) **References Cited**

Primary Examiner—Janice E. Seeger

(74) *Attorney, Agent, or Firm*—Hoffmann & Baron, LLP

U.S. PATENT DOCUMENTS

(57) **CLAIM**

- 169,767 A 11/1875 Borgman et al.
- D36,191 S 1/1903 Boll
- 797,852 A 8/1905 Hayden
- D55,928 S 8/1920 Brown
- D56,900 S 1/1921 Stuart
- 1,465,414 A 8/1923 Boardman
- D69,242 S 1/1926 Stuart
- D70,211 S 5/1926 Bukolt
- D72,734 S 2/1927 Stuart
- D72,739 S 2/1927 Stuart
- 1,695,571 A 12/1928 Baxter
- D85,922 S 1/1932 Feldman
- D90,386 S 5/1933 Shaw
- D101,221 S 7/1936 Jiranek
- D110,893 S 6/1938 Davis
- 2,289,132 A 7/1942 Lehman, Jr.
- 2,329,475 A 9/1943 Lehman, Jr.
- 2,369,834 A 2/1945 Lundin
- D161,744 S 1/1951 Feldman
- D165,643 S 6/1952 Feldman
- D178,851 S 9/1956 Koert
- D190,950 S 7/1961 Bukolt, Jr.
- D267,067 S 11/1982 Mower et al.

The ornamental design for a convertible crib, as shown and described.

DESCRIPTION

FIG. 1 is a perspective view of the convertible crib according to my claimed design; the lower horizontal headboard rail is not part of the claimed design and is shown in phantom;

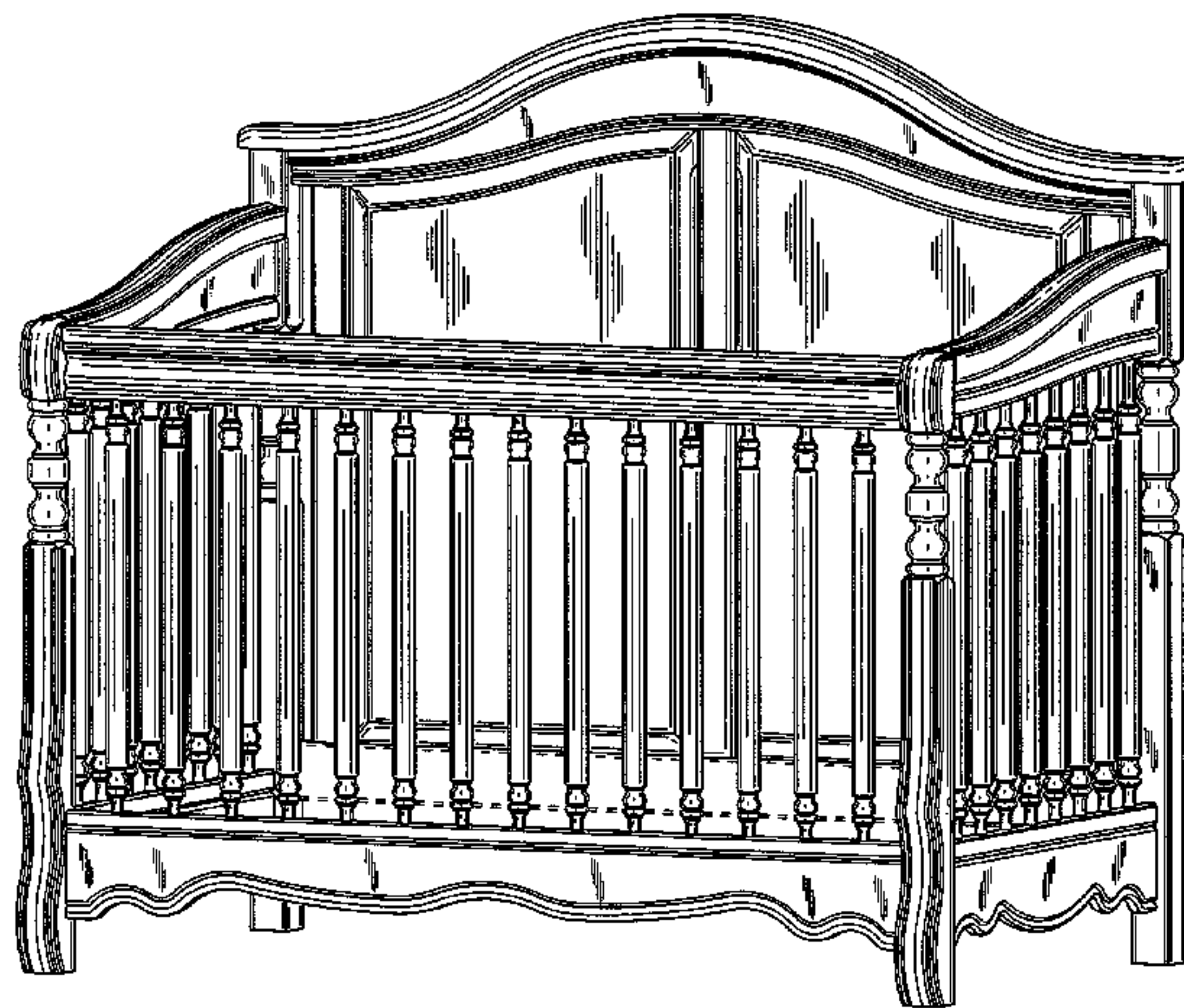
FIG. 2 is a top plan view thereof;

FIG. 3 is a front elevation view thereof; and,

FIG. 4 is a right side elevation view thereof; the left side elevation view is a mirror image of the right side elevation view and is therefore not illustrated.

The back of the headboard and underside of the convertible crib are not illustrated as not being part of the claimed design.

1 Claim, 4 Drawing Sheets



U.S. PATENT DOCUMENTS

D277,157 S 1/1985 Mower
 D278,398 S 4/1985 Brunner
 D280,277 S 8/1985 Brunner
 D280,278 S 8/1985 Brunner
 D280,279 S 8/1985 Brunner
 D282,230 S 1/1986 Scully
 D286,480 S 11/1986 Brunner
 D286,718 S 11/1986 Brunner
 D287,681 S 1/1987 Brunner
 D290,322 S 6/1987 Suvak et al.
 D294,312 S 2/1988 Gleason
 D297,894 S 10/1988 Brunner
 D297,996 S 10/1988 Brunner
 D297,997 S 10/1988 Brunner
 D301,815 S 6/1989 Wistehuff
 D302,915 S 8/1989 Brunner
 D309,994 S 8/1990 Brunner
 D309,995 S 8/1990 Brunner
 D316,636 S 5/1991 Fisher
 D320,903 S 10/1991 Brunner
 D322,375 S 12/1991 Brunner
 D327,600 S 7/1992 Brunner
 D328,208 S 7/1992 Brunner
 D329,774 S 9/1992 Brunner
 D329,955 S 10/1992 Brunner
 5,165,124 A 11/1992 Li
 D332,541 S 1/1993 Williams
 D334,858 S 4/1993 Brunner
 D335,057 S 4/1993 Brunner
 D336,189 S 6/1993 Brunner
 D343,538 S 1/1994 Brunner
 D345,065 S 3/1994 Brunner
 D345,066 S 3/1994 Brunner
 D346,927 S 5/1994 Brunner
 D347,757 S 6/1994 Brunner
 D347,758 S 6/1994 Brunner
 D351,302 S 10/1994 Brunner
 D353,725 S 12/1994 Brunner
 D353,726 S 12/1994 Brunner
 D356,452 S 3/1995 Proano
 D357,823 S 5/1995 Bellows
 D358,286 S 5/1995 Brunner
 D359,183 S 6/1995 Brunner
 D359,184 S 6/1995 Brunner
 D359,185 S 6/1995 Brunner
 D362,984 S 10/1995 Brunner
 D365,460 S 12/1995 Brunner
 D365,477 S 12/1995 Brunner
 D365,478 S 12/1995 Brunner
 D365,479 S 12/1995 Brunner
 D365,480 S 12/1995 Brunner
 D366,778 S 2/1996 Pollard
 D367,386 S 2/1996 Brunner
 D368,179 S 3/1996 Brunner
 D368,400 S 4/1996 Brunner
 D369,490 S 5/1996 Brunner
 D369,930 S 5/1996 Brunner
 D370,143 S 5/1996 Brunner
 D370,793 S 6/1996 Keller
 D371,254 S 7/1996 Proano
 D373,036 S 8/1996 Brunner
 D377,871 S 2/1997 Pollard
 5,617,593 A 4/1997 Pham
 D379,041 S 5/1997 Brunner
 D379,128 S 5/1997 Brunner
 D379,568 S 6/1997 Brunner
 D380,111 S 6/1997 Brunner
 D380,323 S 7/1997 Brunner
 D380,634 S 7/1997 Brunner
 D380,918 S 7/1997 Brunner
 D382,417 S 8/1997 Brunner

D382,418 S 8/1997 Proano
 D394,768 S 6/1998 Draheim
 D395,565 S 6/1998 Brunner
 D398,794 S 9/1998 Draheim
 D399,083 S 10/1998 Draheim
 D399,669 S 10/1998 Tabbia
 D409,025 S 5/1999 Draheim
 D410,160 S 5/1999 Draheim
 D410,161 S 5/1999 Draheim
 D410,162 S 5/1999 Draheim
 D414,058 S 9/1999 Draheim
 D415,640 S 10/1999 Draheim
 D421,862 S 3/2000 Draheim
 D422,817 S 4/2000 Draheim
 D424,848 S 5/2000 Draheim
 D425,342 S 5/2000 Draheim
 D425,343 S 5/2000 Draheim
 D429,431 S 8/2000 Zaidman
 D435,356 S 12/2000 Draheim
 D435,376 S 12/2000 Draheim
 D443,156 S 6/2001 Draheim
 D443,447 S 6/2001 Draheim
 D443,448 S 6/2001 Draheim
 D457,009 S 5/2002 Shamie
 D458,471 S 6/2002 Shamie
 D458,768 S 6/2002 Shamie
 D459,104 S 6/2002 Shamie
 D474,631 S 5/2003 Draheim
 D479,410 S 9/2003 Tabbia
 D488,308 S 4/2004 Draheim
 D520,261 S 5/2006 Draheim

FOREIGN PATENT DOCUMENTS

GB 872296 7/1961

OTHER PUBLICATIONS

U.S. Appl. No. 29/286,305, filed Apr. 30, 2007, Draheim.
 U.S. Appl. No. 29/286,312, filed Apr. 30, 2007, Draheim.
 U.S. Appl. No. 29/286,315, filed Apr. 30, 2007, Draheim.
 U.S. Appl. No. 29/286,324, filed Apr. 30, 2007, Draheim.
 U.S. Appl. No. 29/286,325, filed Apr. 30, 2007, Draheim.
 U.S. Appl. No. 29/286,326, filed Apr. 30, 2007, Draheim.
 U.S. Appl. No. 29/286,330, filed Apr. 30, 2007, Draheim.
 Baby Line, p. 14, top right # 7045.
 Best Catalog, p. 454, # 1 crib at top left.
 Best Catalog, p. 456, bed # 5 at top right.
 Best Catalog, Sep. 8, 1990, p. 389, item # 22 crib at right & bottom.
 Best Catalog, Sep. 8, 1990, p. 390, Items 4, 5, 7.
 Childcraft 1994 Brochure page showing 13581 Scottsdale Crib.
 Childcraft Cat. No. 41, crib at bottom.
 Childcraft Cat. No. 41, p. 6 Carmel/Profiles Crib.
 Childcraft Catalog Page Showing Crib Model No. 16101.
 Ethan Allen, c1979, p. 225, bed at top.
 Evans 1987-1988, p. 377 # 4 at top center.
 Evans 1988-1989, p. 353y, # 2 Crib at top right.
 Evenflo Juvenile Furniture Company Catalog, 1990, cover page, p. 43, and last page.
 Evenflo, 1988, Portofino crib.
 Interiors Magazine, Dec. 1974, p. 52, "Spindles".
 J.C. Penney Catalog (undated) p. 681, 1992.
 J.C. Penney for Baby, © 1992, p. 11, crib.
 J.C. Penney for Baby, © 1992, p. 27, Crib at top.
 J.C. Penney for Baby, © 1992, p. 5, crib.
 J.C. Penney for Baby, © 1992, p. 6.
 J.C. Penney for Baby, © 1992, p. 8.
 J.C. Penney for Baby, © 1995, p. 10, crib at top.
 J.C. Penney, Spring/Summer 1992, p. 999, bed # C at lower right.
 Levitz, Jun. 4, 1994, p. 32, bed at right.
 Little Folks Furn. # 83, 1973, p. 19, crib at left.
 Lullabye.
 Lullabye © 1936, p. 27 Bed # 313-4 in center.
 Lullabye Catalog, Bed at top left.

US D566,418 S

Page 3

- Lullabye Catalog, p. 40, Crib in upper right.
Lullabye Catalog, p. 41, Crib in upper right.
Lullabye, © 1936, p. 43, Bassinet, No. 63, top left.
Sears, Fall/Winter 1985, p. 268.
Simmons 1988, p. 8, crib at left.
Simmons 1994, crib at top left.
Simmons Juvenile Products Catalog, 1988, dressing table on cover.
Simmons Juvenile Products Catalog, 1988, (Crib No. 1534).
Simmons Juvenile Products Catalog, 1988, (Crib Nos. 2907 and 3918).
Simmons Juvenile Products Company, Inc. 1990 Catalog: Crib No. 4927.
Simmons Juvenile Products Company, Inc. 1990 Catalog: Dresser Base 0704.
Simmons Juvenile Products Company, Inc. 1994 Catalog: Crib No. 1547.
Simmons Juvenile Products Company, Inc. 1994 Catalog: Crib No. 5017.
Simmons Juvenile Products Company, Inc. 1994 Catalog: Crib No. 5307.
Simmons Juvenile Products Company, Inc. 1995 Catalog: Crib No. 6806.
Simmons Juvenile Products Company, Inc. 1995 Catalog: Crib No. 6808.
Simmons Juvenile Products Company, Inc. 1995 Catalog: Twin Bed 2330.
Simmons Juvenile Products Company, Inc. 1995 Catalog: Twin Bed 6820.
Simmons Juvenile Products Company, Inc. catalog, p. 25, Crib # 4727.
Simmons Juvenile Products Company, Inc., 1987, p. 3.
Simmons Juvenile Products Company, Inc., 1988, cover page and p. 7, 13.
Simmons Juvenile Products Company, Inc., 1988, p. 13, 18, 23.
Simmons Juvenile Products Company, Inc., 1988, p. 22, 25.
Simmons Juvenile Products Company, Inc., 1988, p. 27.
Simmons Juvenile Products Company, Inc., 1989, p. 36.
Simmons Juvenile Products Company, Inc., 1990, Crib No. 1213.
Simmons Little Folks, 1973, Cat. # 82, p. 12, crib endboard at far right.
Simmons Little Folks, 1973, Cat. # 83, p. 28, Crib.
Simmons Little Folks, 1985, Cat., p. 21 crib.
Simmons Little Folks, 1988, # 1242.
Simmons Little Folks, 1988, Cat., p. 22 No. 4906 Crib.
Simmons Little Folks, 1988, Cat. p. 25, No. 4727 Crib.
Simmons Little Folks, 1993, "Valentia".
Simmons Little Folks, 1993, # 0705.
Simmons Little Folks, 1993, Bergano, crib headboard.
Simmons Little Folks, 1993, crib # 1481 at top.
Simmons Little Folks, 1993, Glendola II Crib at bottom # 1431.
Simmons Little Folks, 1994, Twin Bed in center.
Simmons Little Folks, 1995, bed at top left.
Simmons Little Folks, 1995, Canterbury crib at top left, Prentiss crib at left center, Barrow crib at lower left.
Simmons, 1988, p. 28, crib at left.
Simmons, 1994, crib at bottom left.
Simmons, 1994, crib at top left.
Simmons, 1994, top left crib.
Woodward & Lothrop—Directions, Spring 1993, p. 16.

* cited by examiner

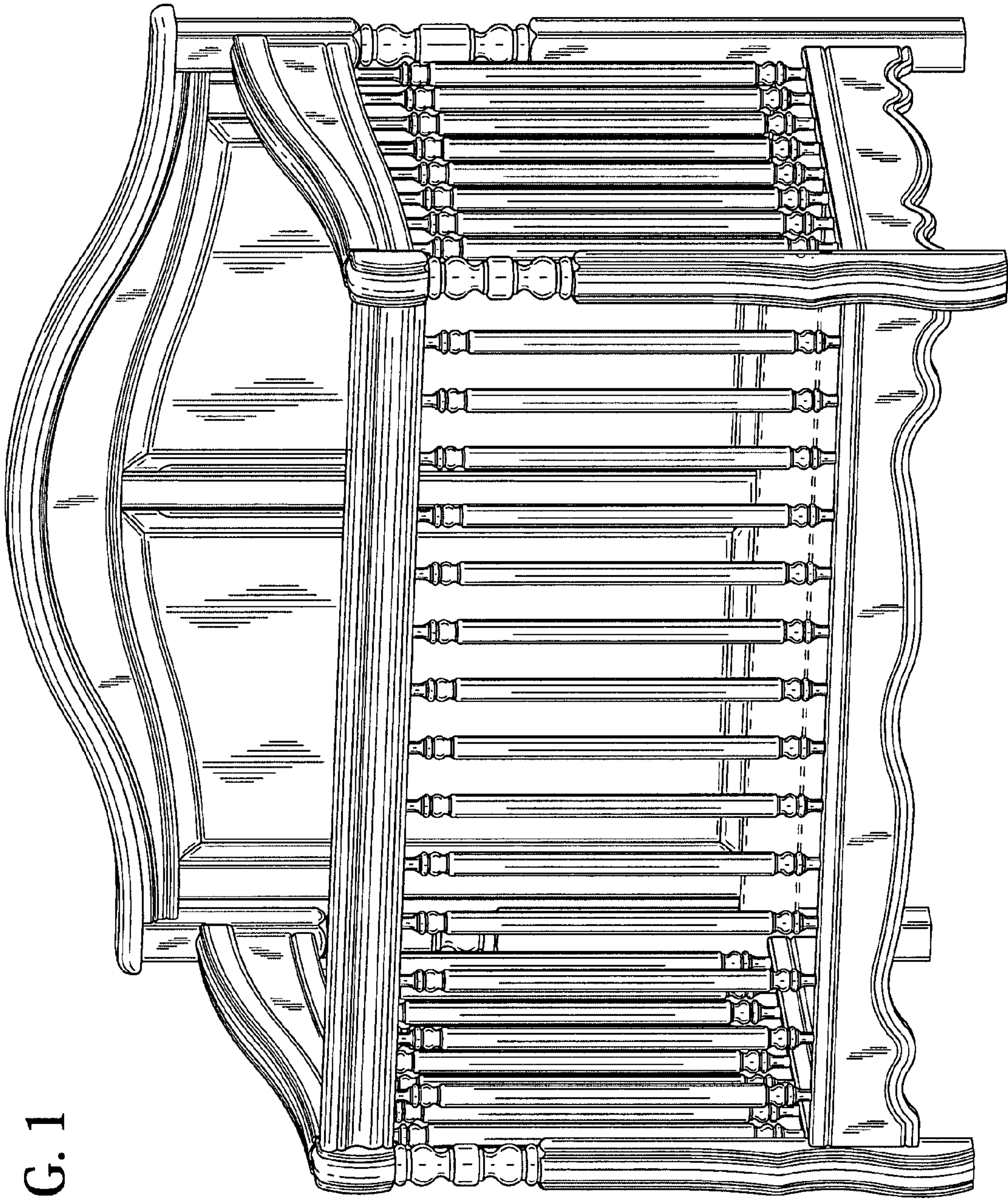


FIG. 1

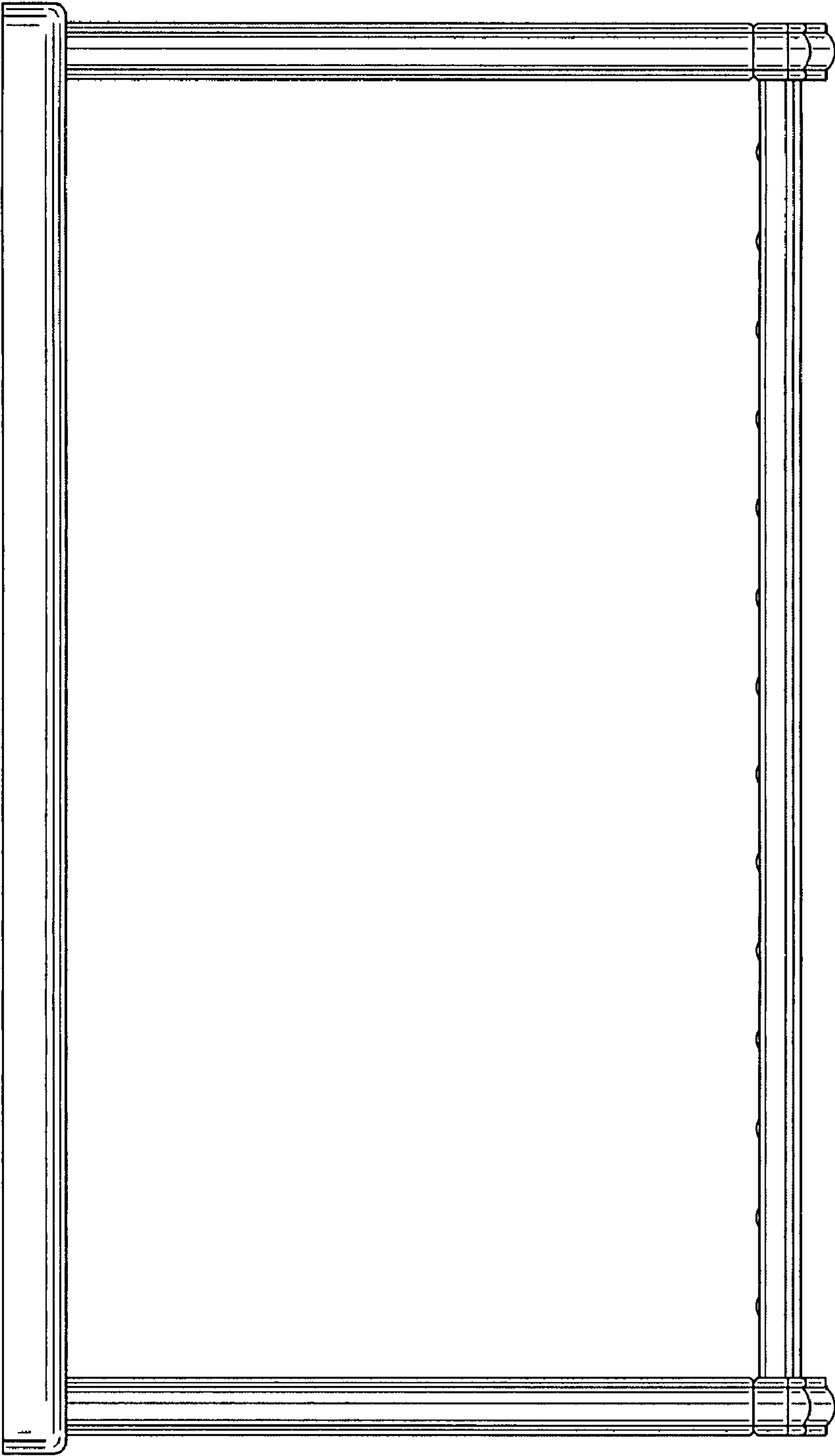


FIG. 2

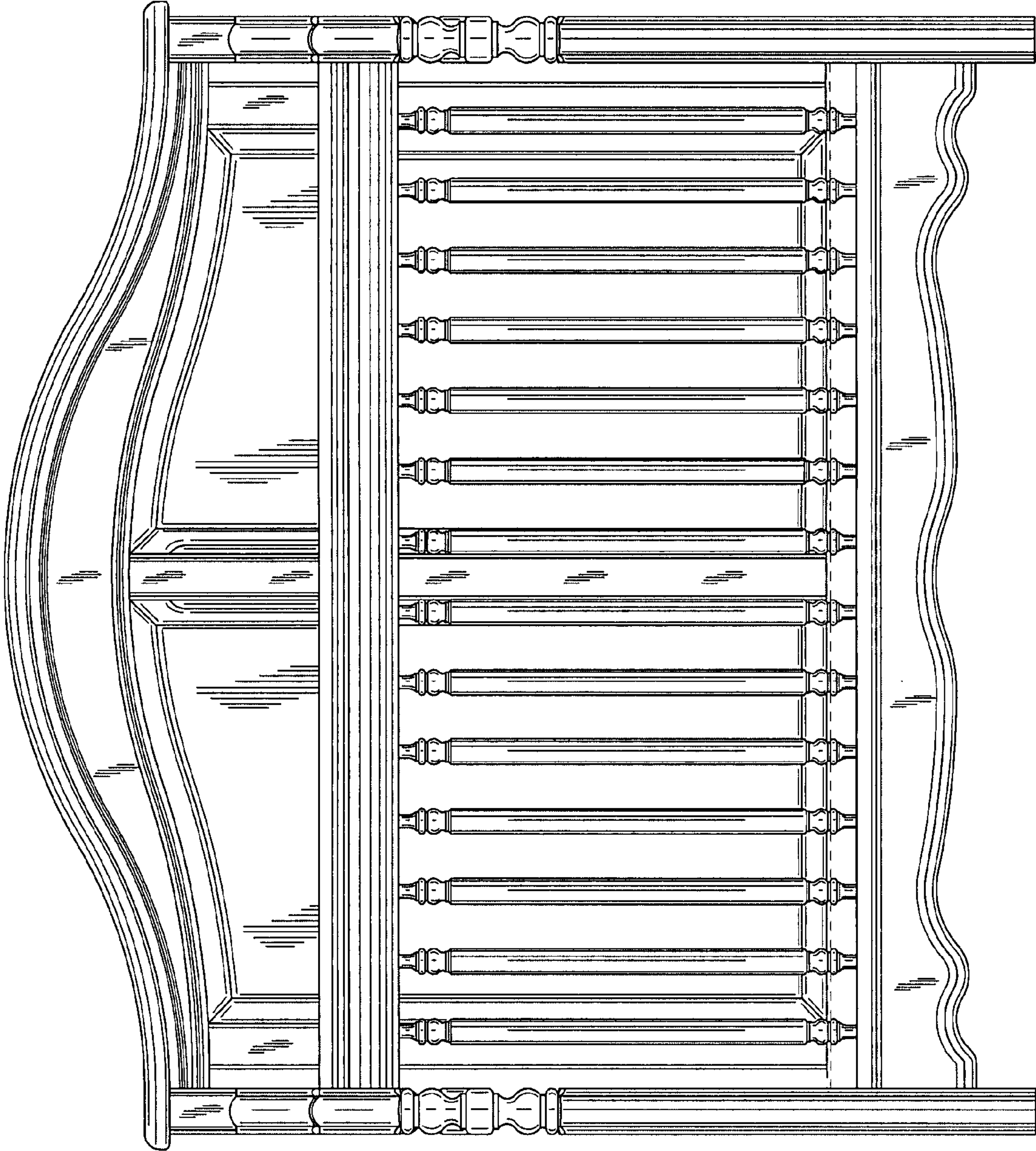


FIG. 3

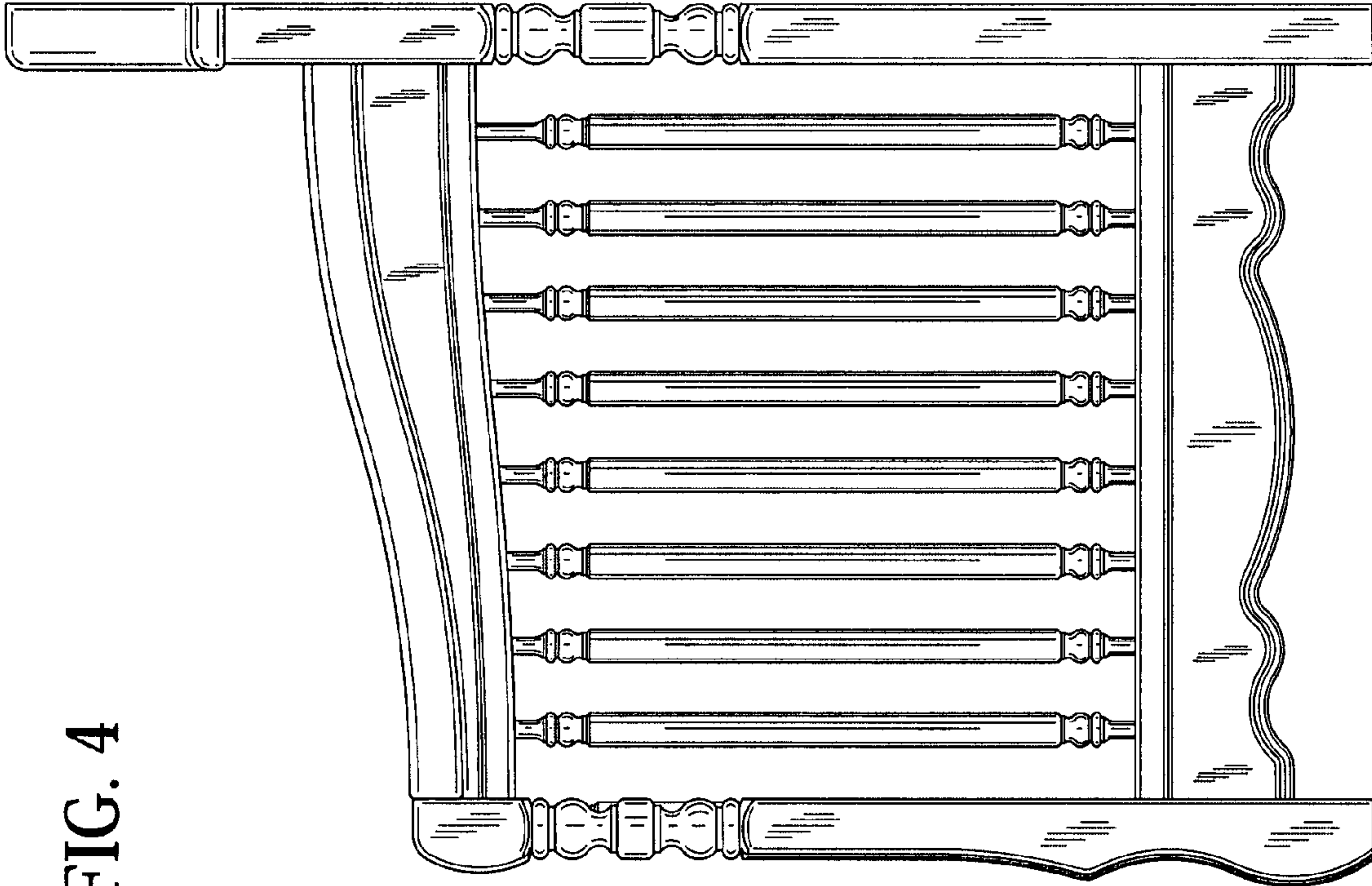


FIG. 4