

US00D566413S

(12) **United States Design Patent**
Huang

(10) **Patent No.:** **US D566,413 S**

(45) **Date of Patent:** **** Apr. 15, 2008**

(54) **CHAIR**

(76) Inventor: **William Huang**, 5353 Jillson St.,
Commerce, CA (US) 90040

(**) Term: **14 Years**

(21) Appl. No.: **29/282,167**

(22) Filed: **Jul. 12, 2007**

(51) **LOC (8) Cl.** **06-01**

(52) **U.S. Cl.** **D6/379**

(58) **Field of Classification Search** D6/334-336,
D6/366, 367, 368, 369, 374-376, 379, 380,
D6/499, 500-502; 297/411.42, 445.1, 446.1,
297/448.1, 452.2, 452.46

See application file for complete search history.

(56) **References Cited**

U.S. PATENT DOCUMENTS

D308,143 S *	5/1990	Lohmeyer	D6/379
D320,510 S *	10/1991	Ivicevic	D6/379
D355,081 S *	2/1995	Scheper	D6/380
D355,308 S *	2/1995	Marini	D6/379
D400,023 S *	10/1998	Olson	D6/379
D405,620 S *	2/1999	Koepke et al.	D6/379

D410,152 S *	5/1999	Pensi Lombardo	D6/375
D410,802 S *	6/1999	Olson	D6/379
D446,037 S *	8/2001	Koepke et al.	D6/379
D470,322 S *	2/2003	Tsai	D6/379
D485,084 S *	1/2004	Bales	D6/379
D488,631 S *	4/2004	Newhouse	D6/379

* cited by examiner

Primary Examiner—Mimosa De

(74) *Attorney, Agent, or Firm*—Jen-Feng Lee, Esq.

(57) **CLAIM**

I claim the ornamental design for a chair, as shown and described.

DESCRIPTION

FIG. 1 shows the perspective view of a chair showing my new design,

FIG. 2 shows the front view thereof,

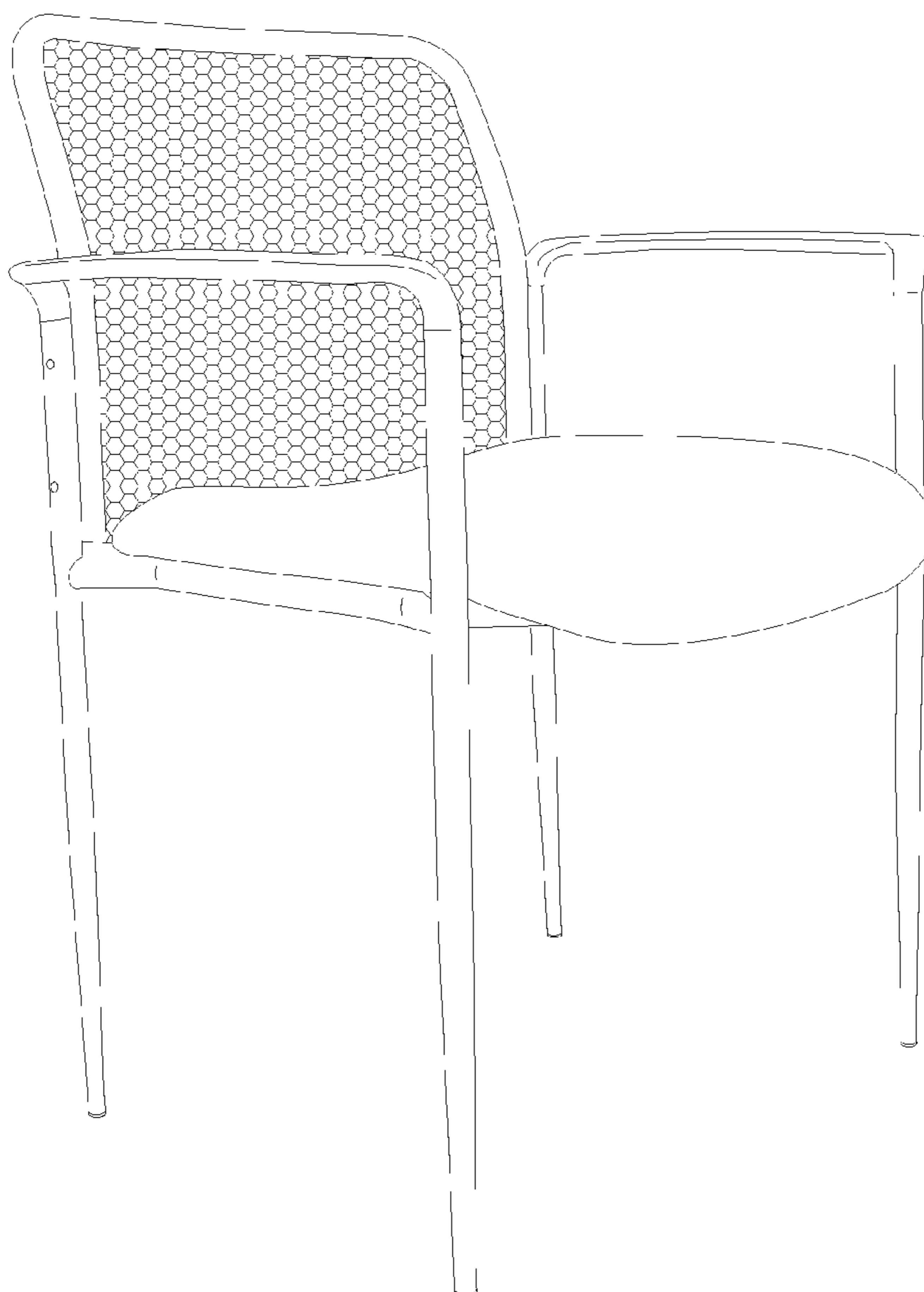
FIG. 3 shows the rear view thereof,

FIG. 4 shows the right side view thereof,

FIG. 5 shows the left side view thereof; and,

FIG. 6 shows the top plan view thereof.

1 Claim, 6 Drawing Sheets



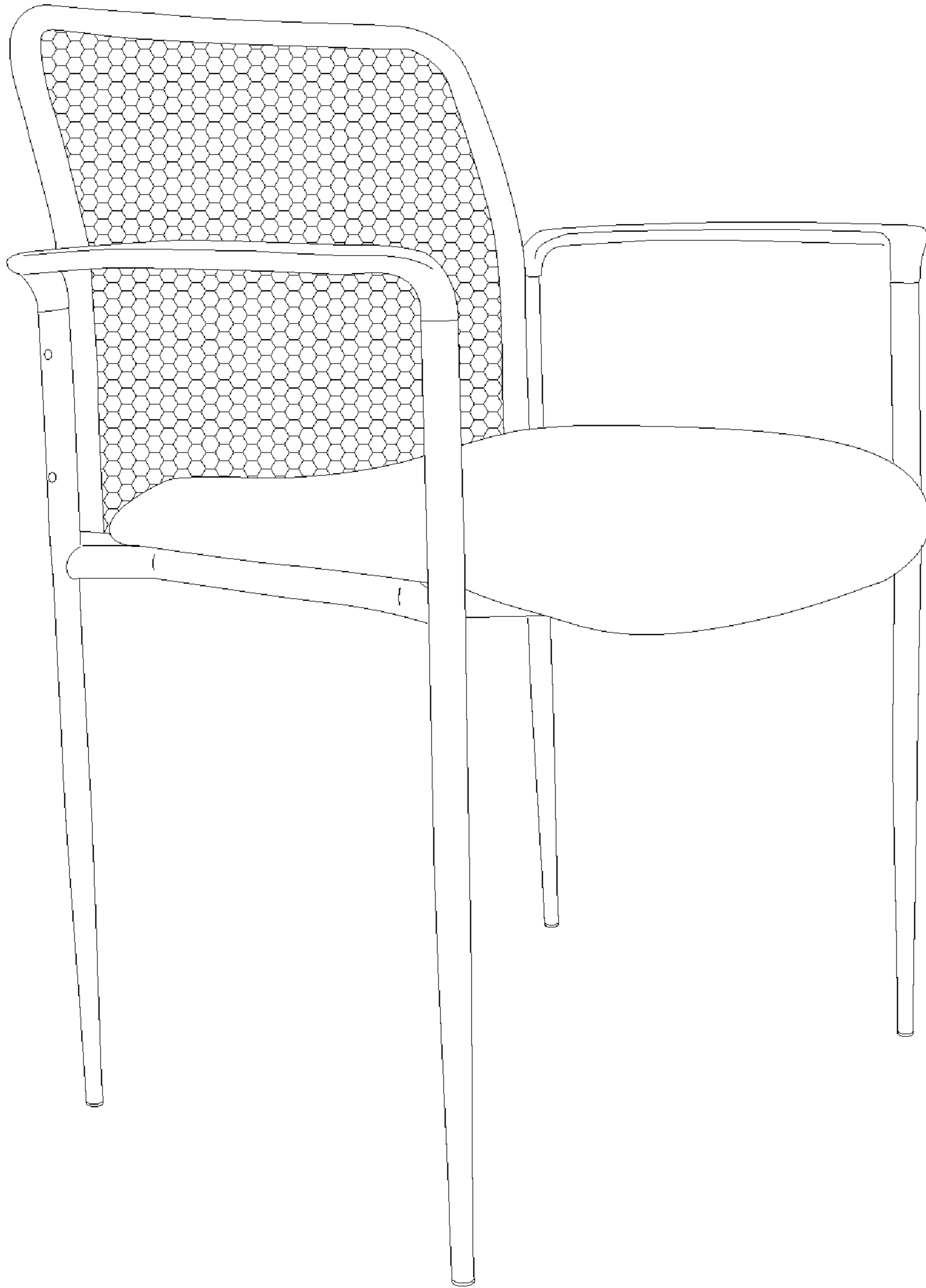


Figure 1

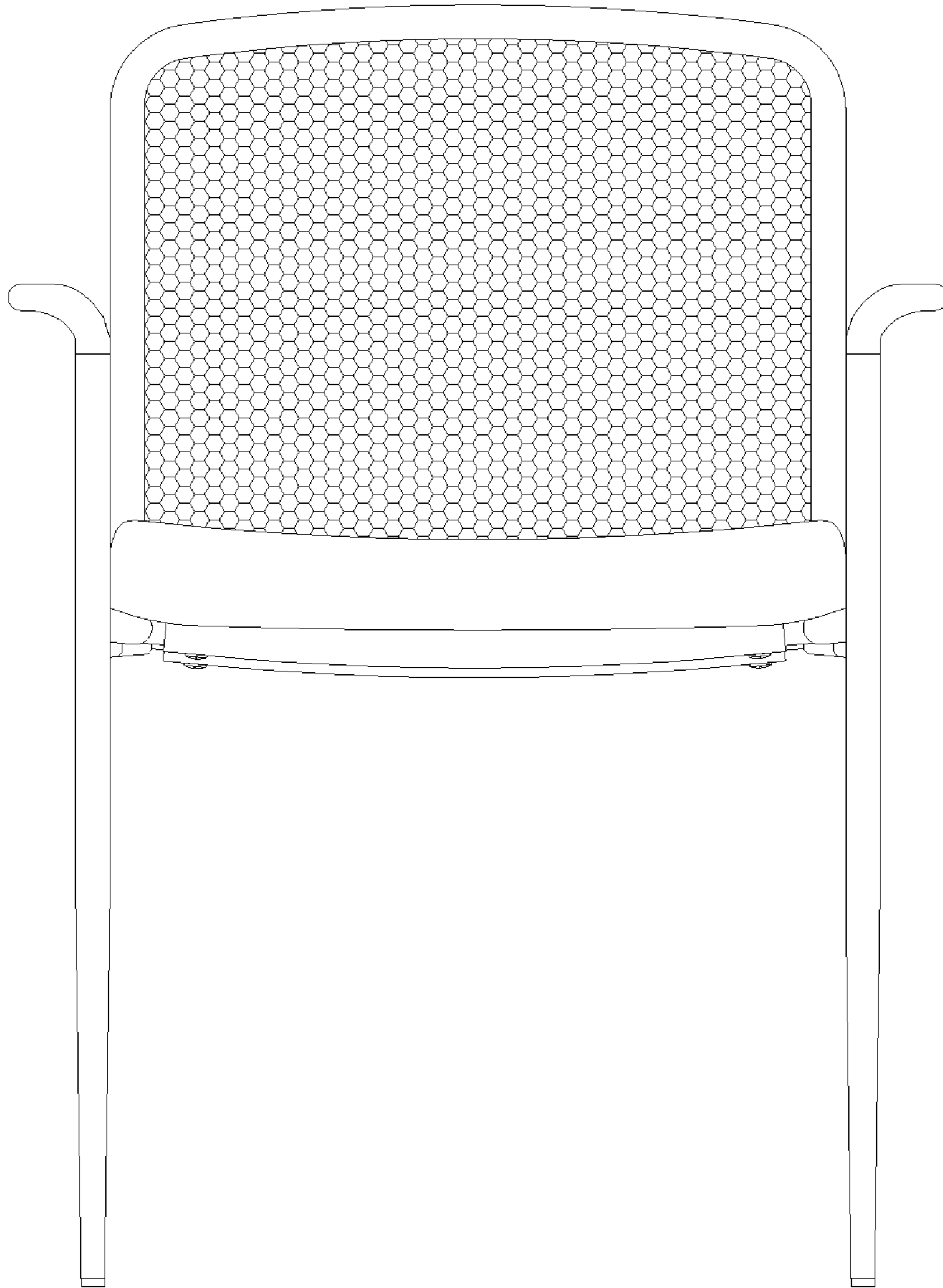


Figure 2

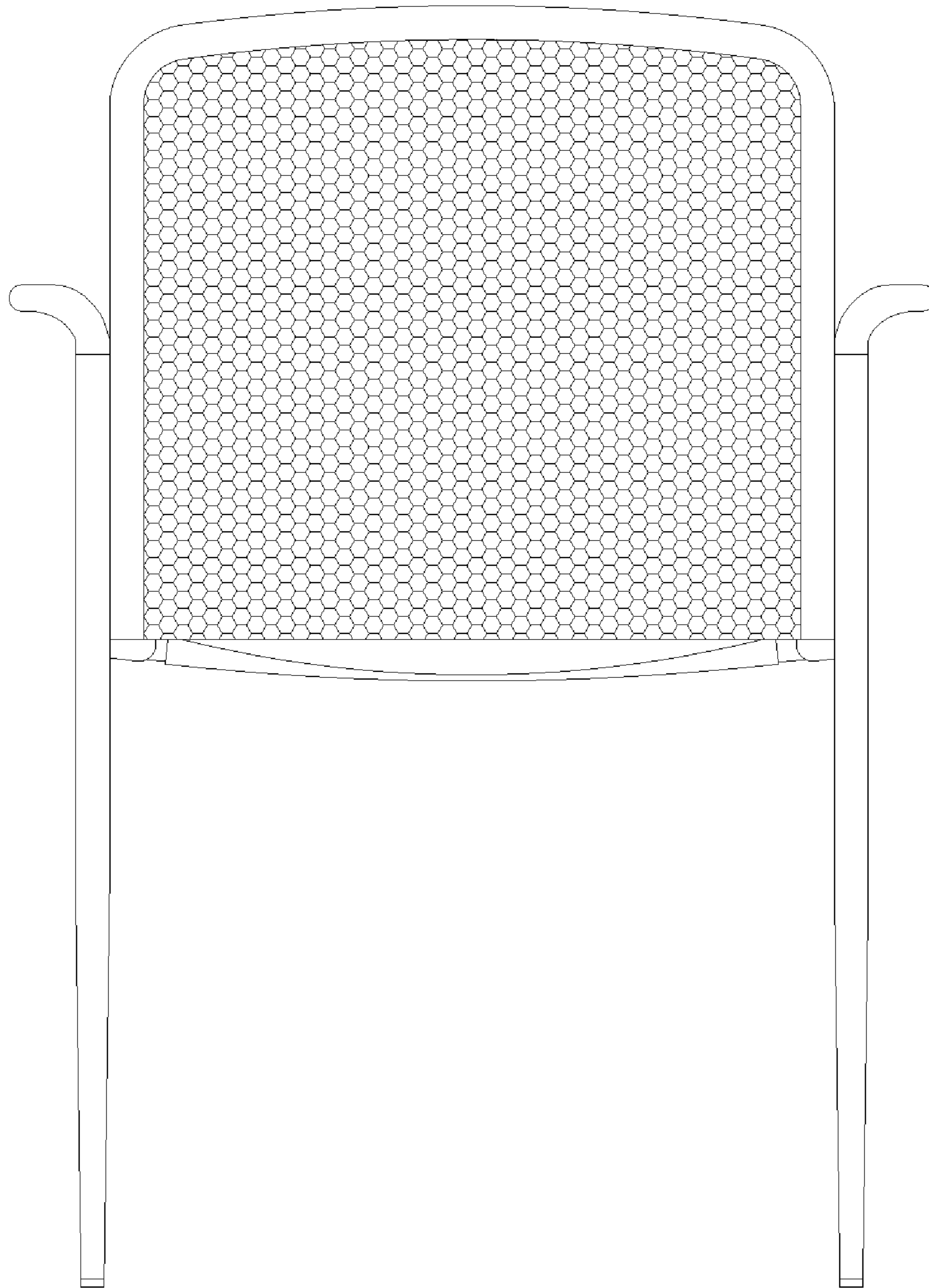


Figure 3

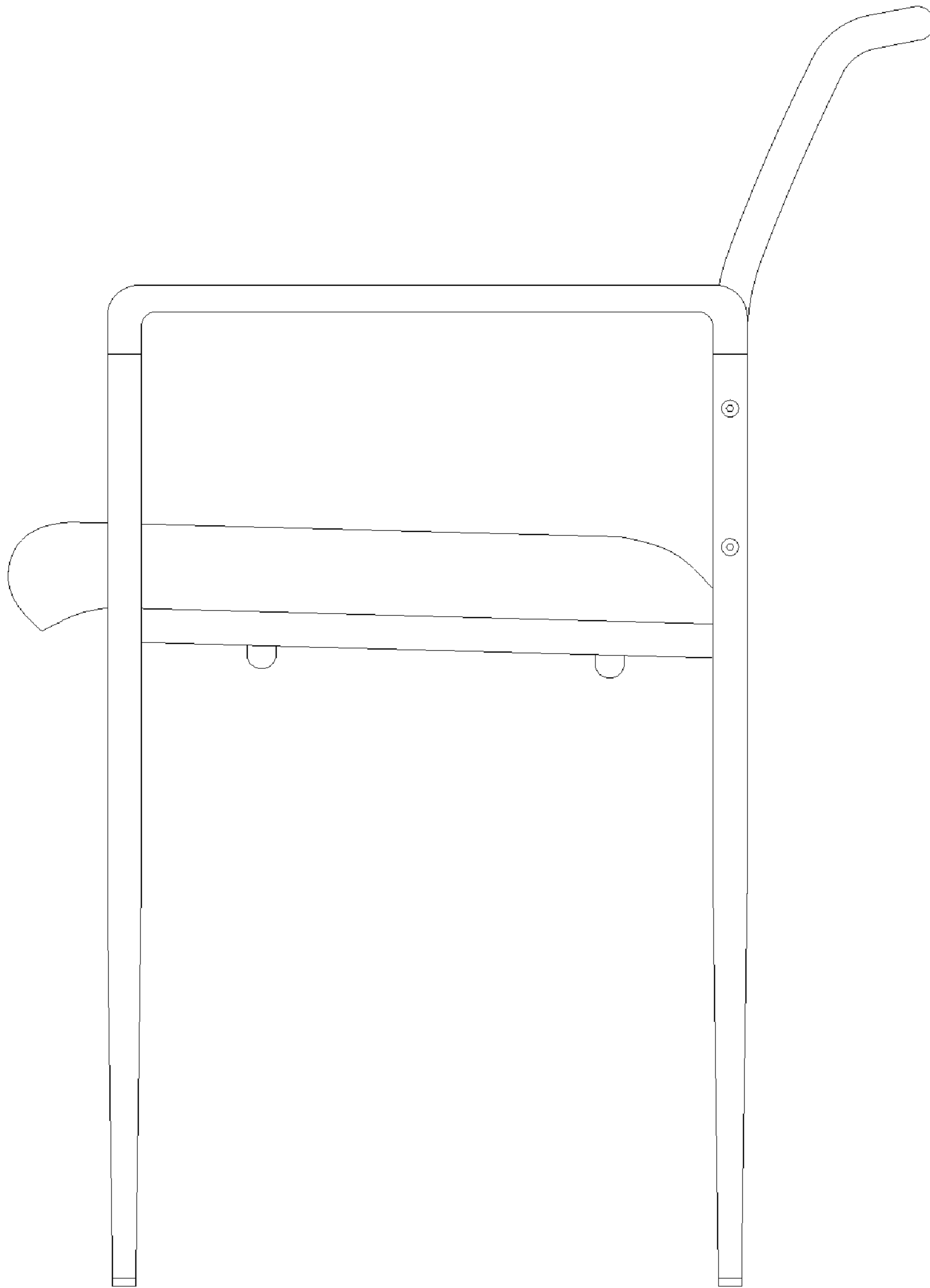


Figure 4

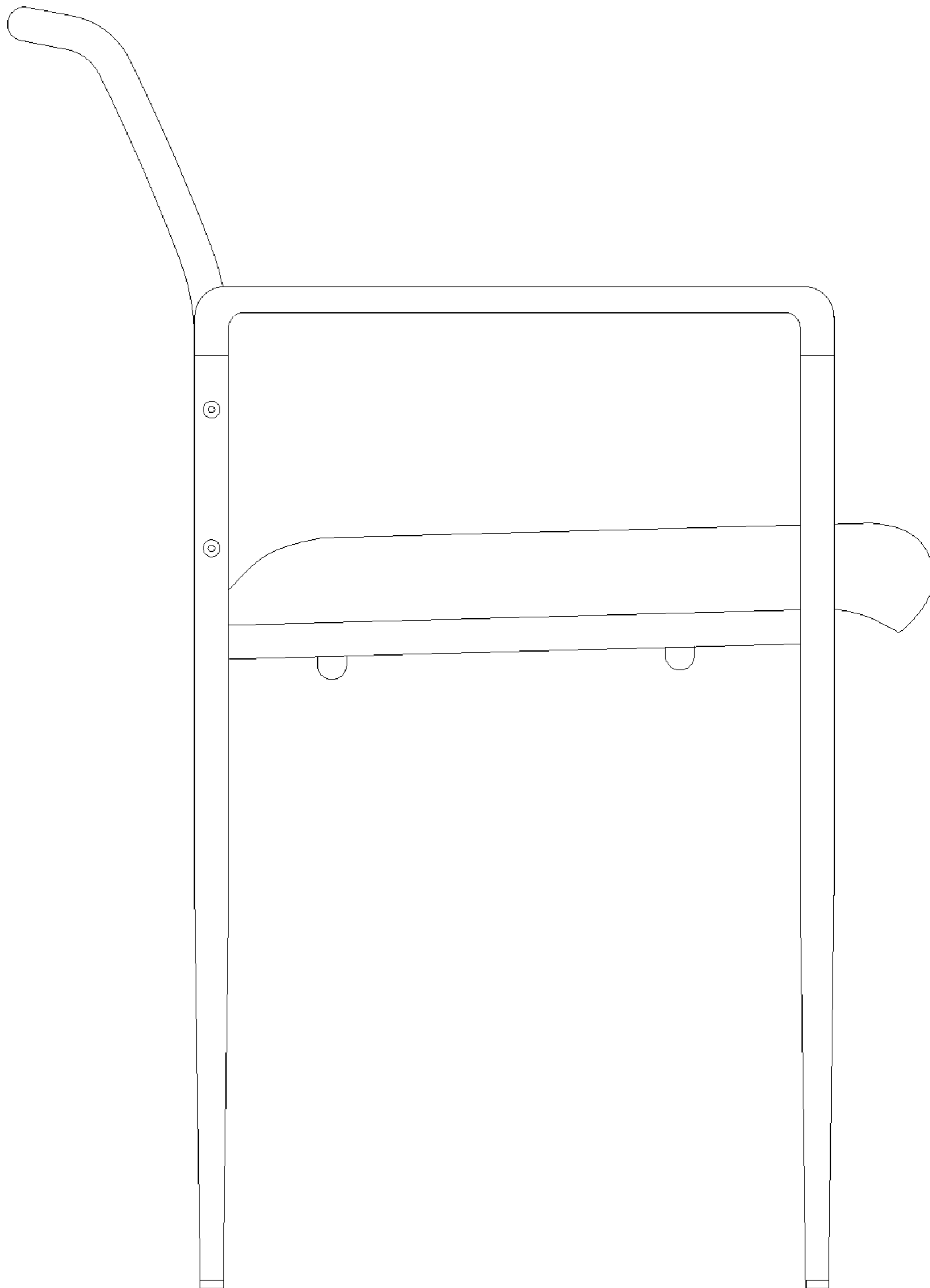


Figure 5

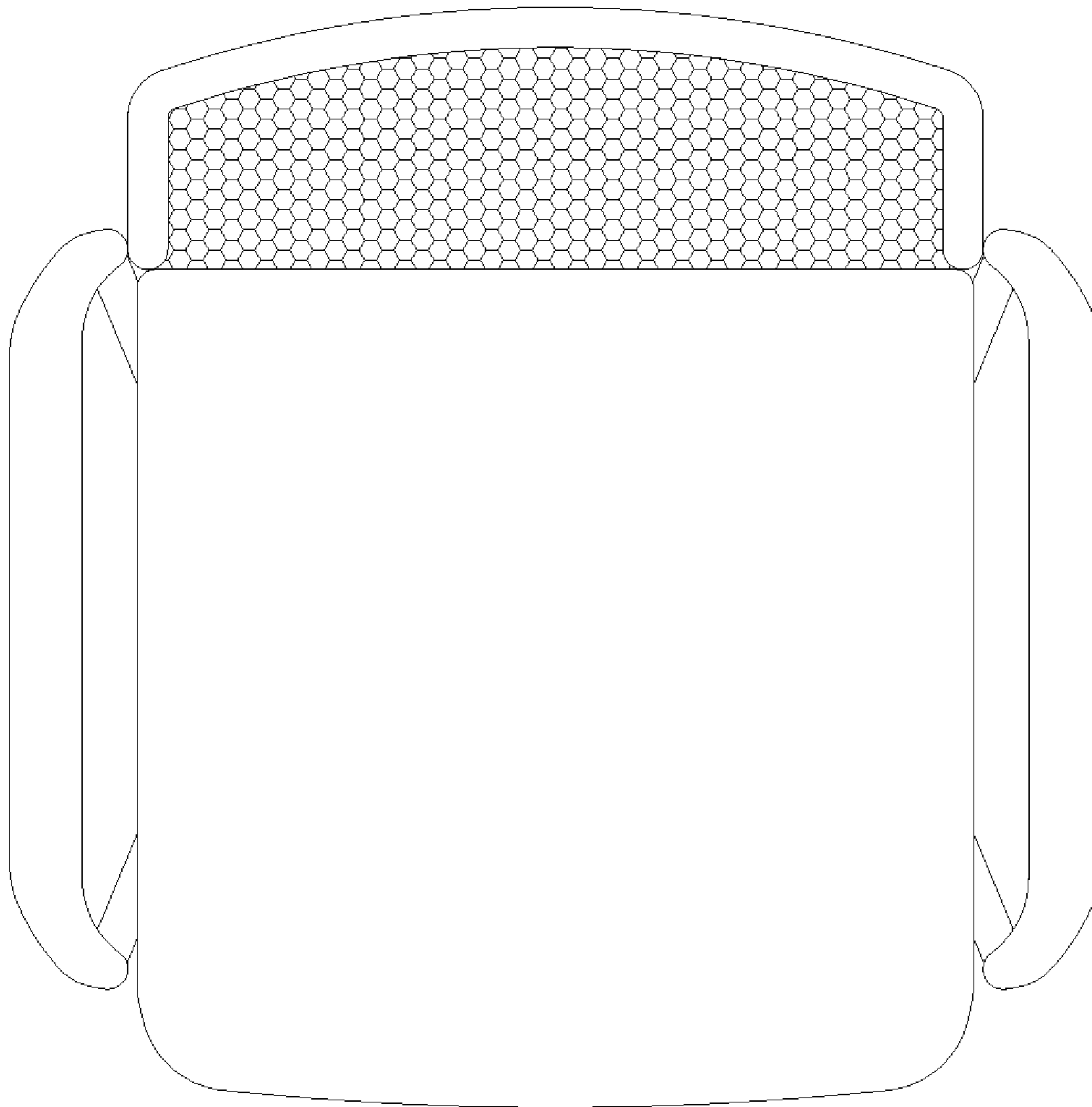


Figure 6