



US00D566410S

(12) **United States Design Patent**
Neil

(10) **Patent No.:** **US D566,410 S**

(45) **Date of Patent:** **** Apr. 15, 2008**

(54) **CHAIR**

(75) Inventor: **Gary Neil**, Mississauga (CA)

(73) Assignee: **Allseating Corporation**, Mississauga,
Ontario (CA)

(**) Term: **14 Years**

(21) Appl. No.: **29/274,608**

(22) Filed: **May 9, 2007**

(51) **LOC (8) Cl.** **06-01**

(52) **U.S. Cl.** **D6/366**

(58) **Field of Classification Search** D6/334–336,
D6/364–366, 367, 369, 379, 380, 498, 500–502;
297/353, 354.1, 411.2, 411.27, 411.36, 452.29,
297/452.3, 452.64, 284.4

See application file for complete search history.

(56) **References Cited**

U.S. PATENT DOCUMENTS

D456,626 S *	5/2002	Su	D6/366
D461,323 S *	8/2002	Su	D6/366
D476,821 S *	7/2003	Koepke et al.	D6/366
D477,151 S *	7/2003	Koepke et al.	D6/366
D486,657 S *	2/2004	Su	D6/366

D494,768 S *	8/2004	Su	D6/366
D495,509 S *	9/2004	Breen	D6/366
D506,894 S *	7/2005	Harley	D6/502
D511,418 S *	11/2005	Breen	D6/366
D512,843 S *	12/2005	Breen	D6/366

* cited by examiner

Primary Examiner—Mimosa De

(74) *Attorney, Agent, or Firm*—Miller Thomson LLP

(57) **CLAIM**

The ornamental design for the “chair,” as shown and described.

DESCRIPTION

FIG. 1 is a front perspective view of the chair.

FIG. 2 is a back perspective view of the chair.

FIG. 3 is a right side view of the chair.

FIG. 4 is a front view of the chair.

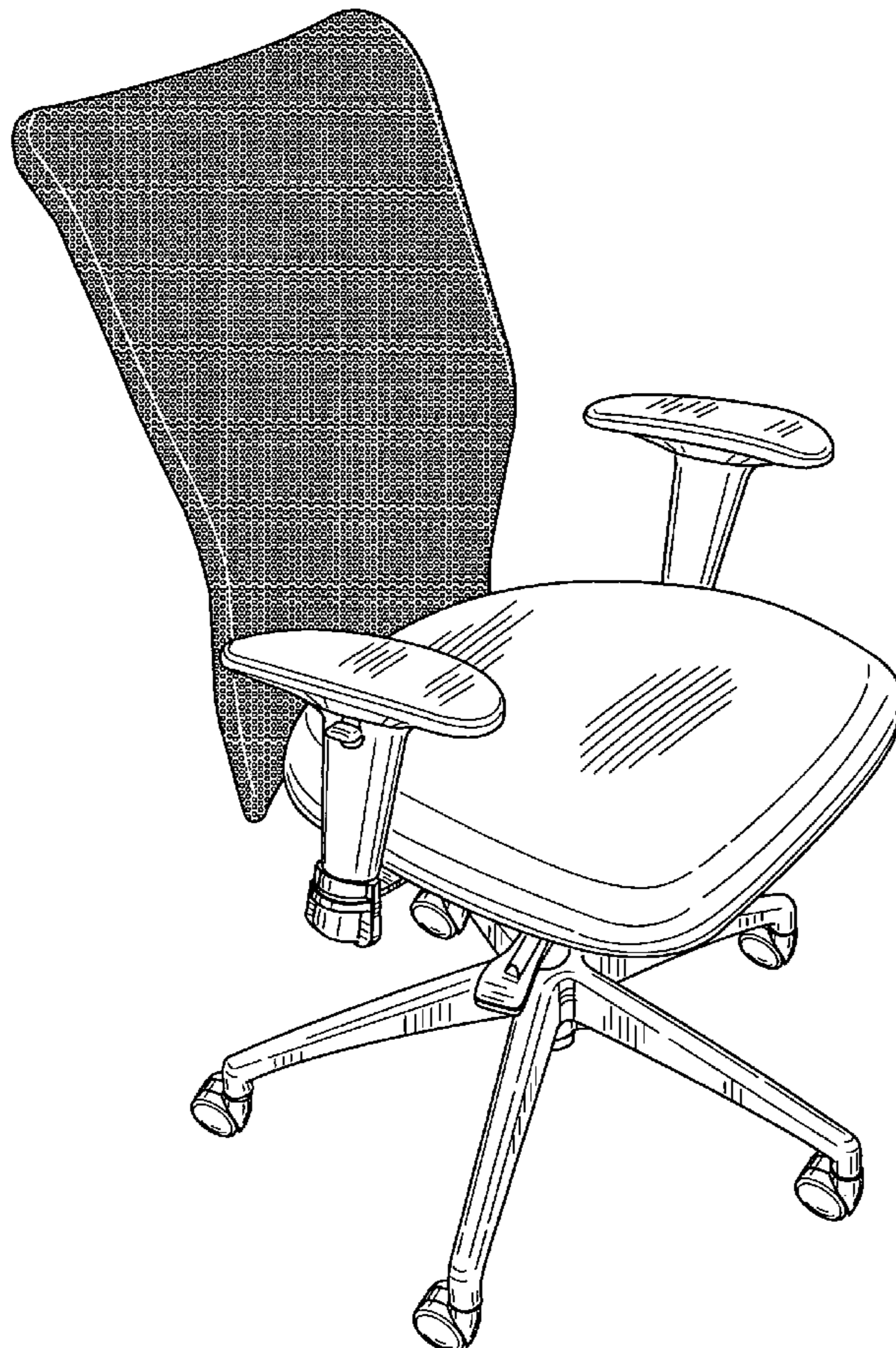
FIG. 5 is a left side view of the chair.

FIG. 6 is a back view of the chair.

FIG. 7 is a top view of the chair; and,

FIG. 8 is a bottom view of the chair.

1 Claim, 8 Drawing Sheets



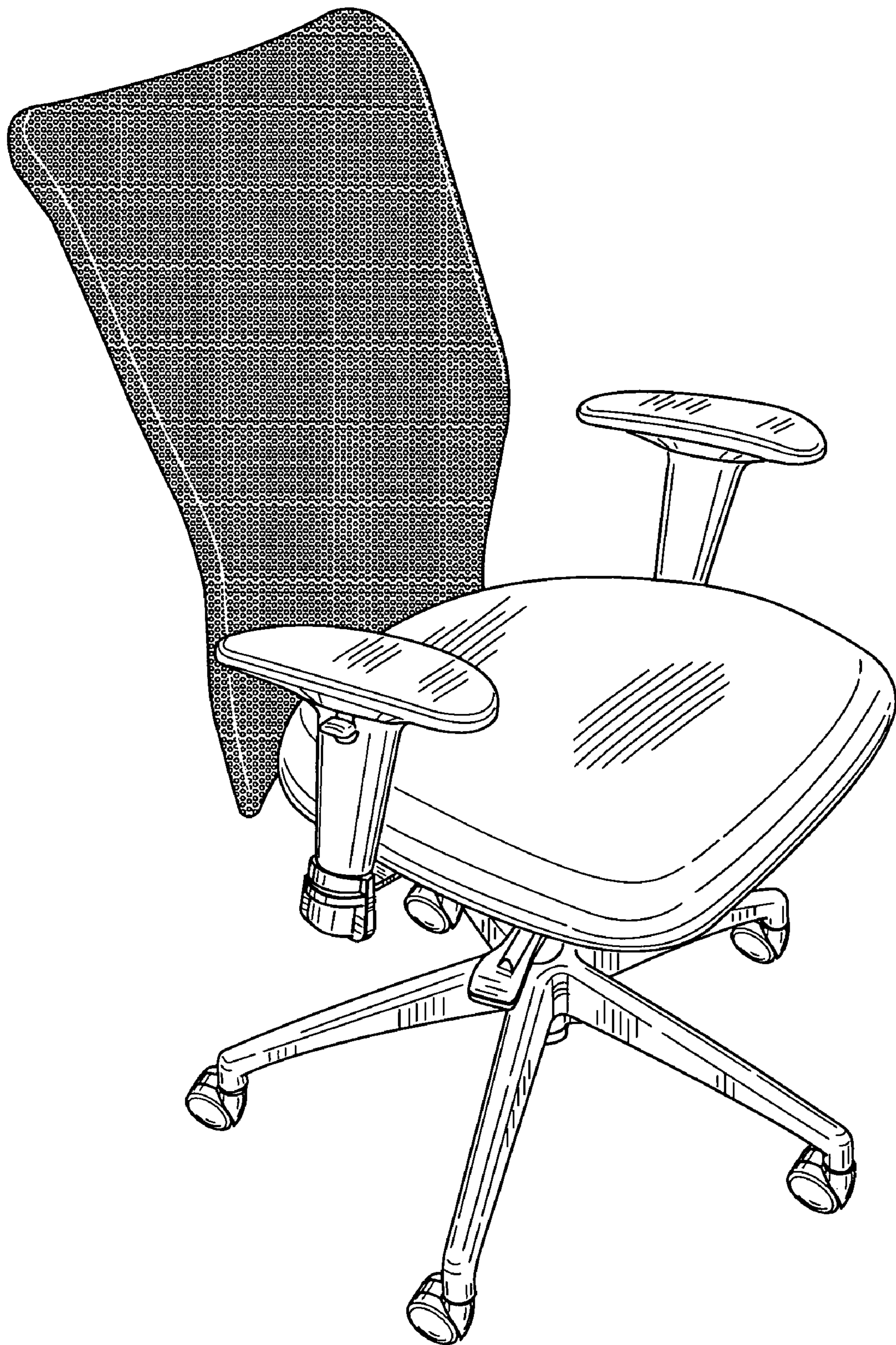


FIG. 1

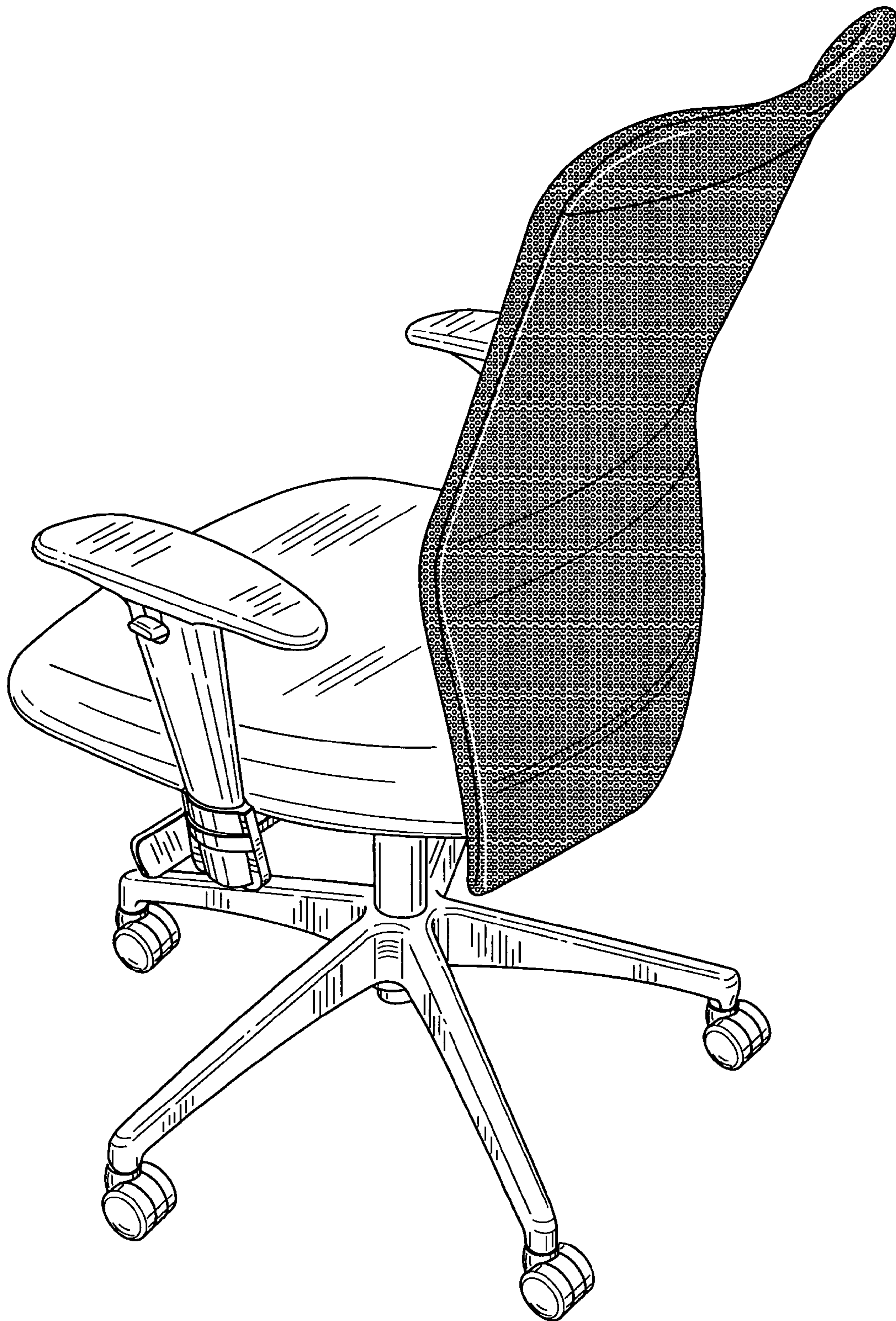


FIG. 2

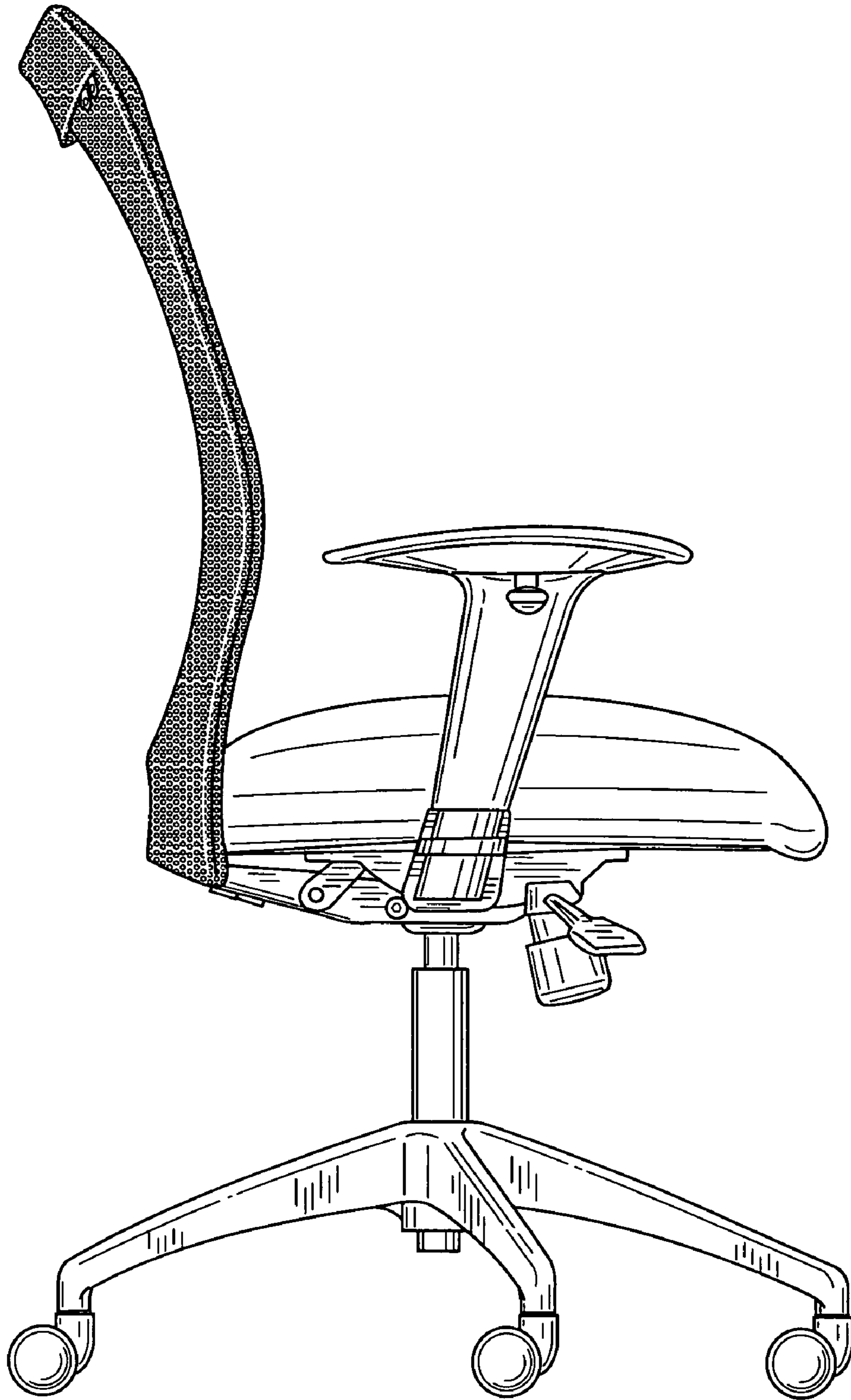


FIG. 3

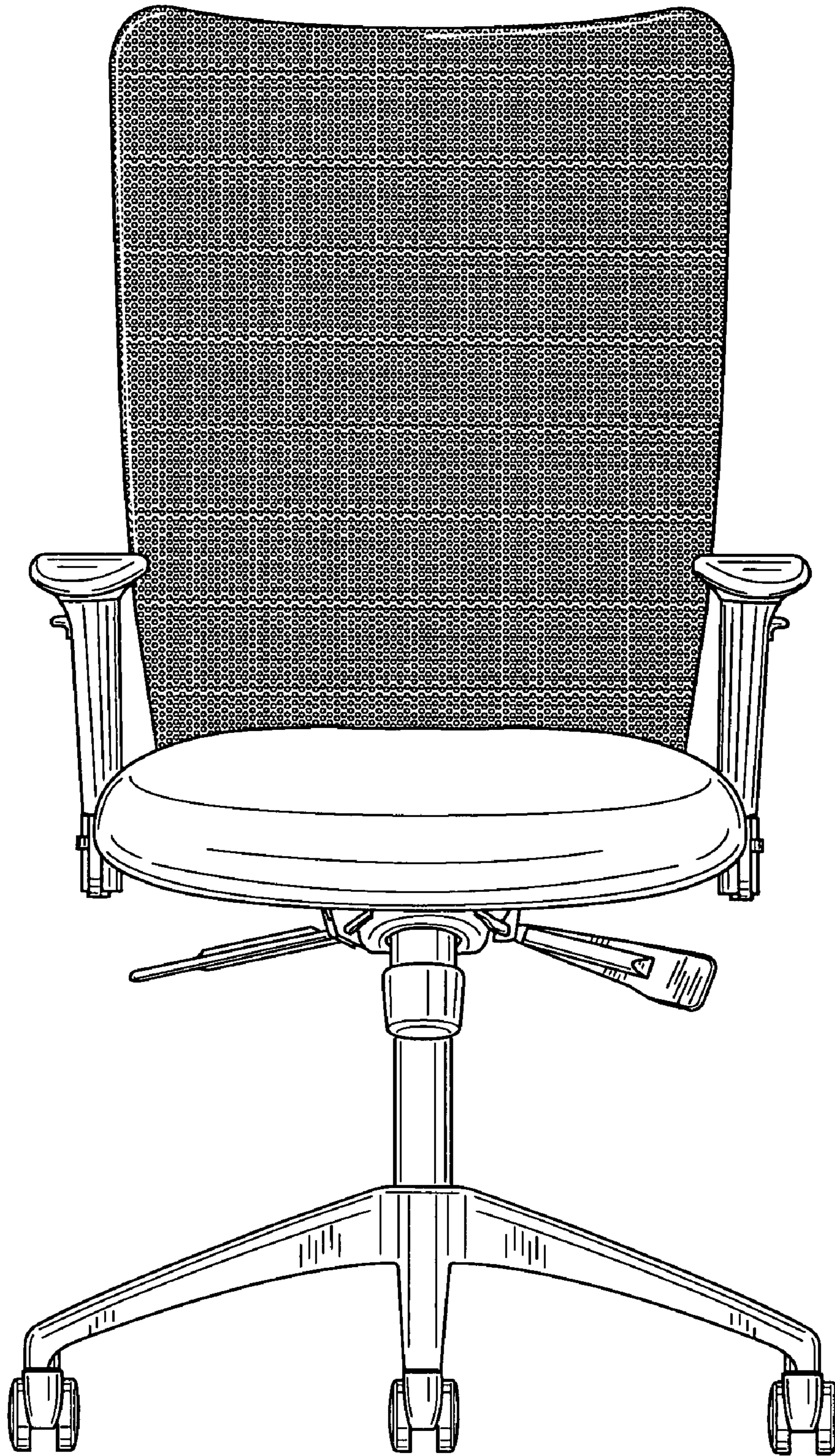


FIG. 4

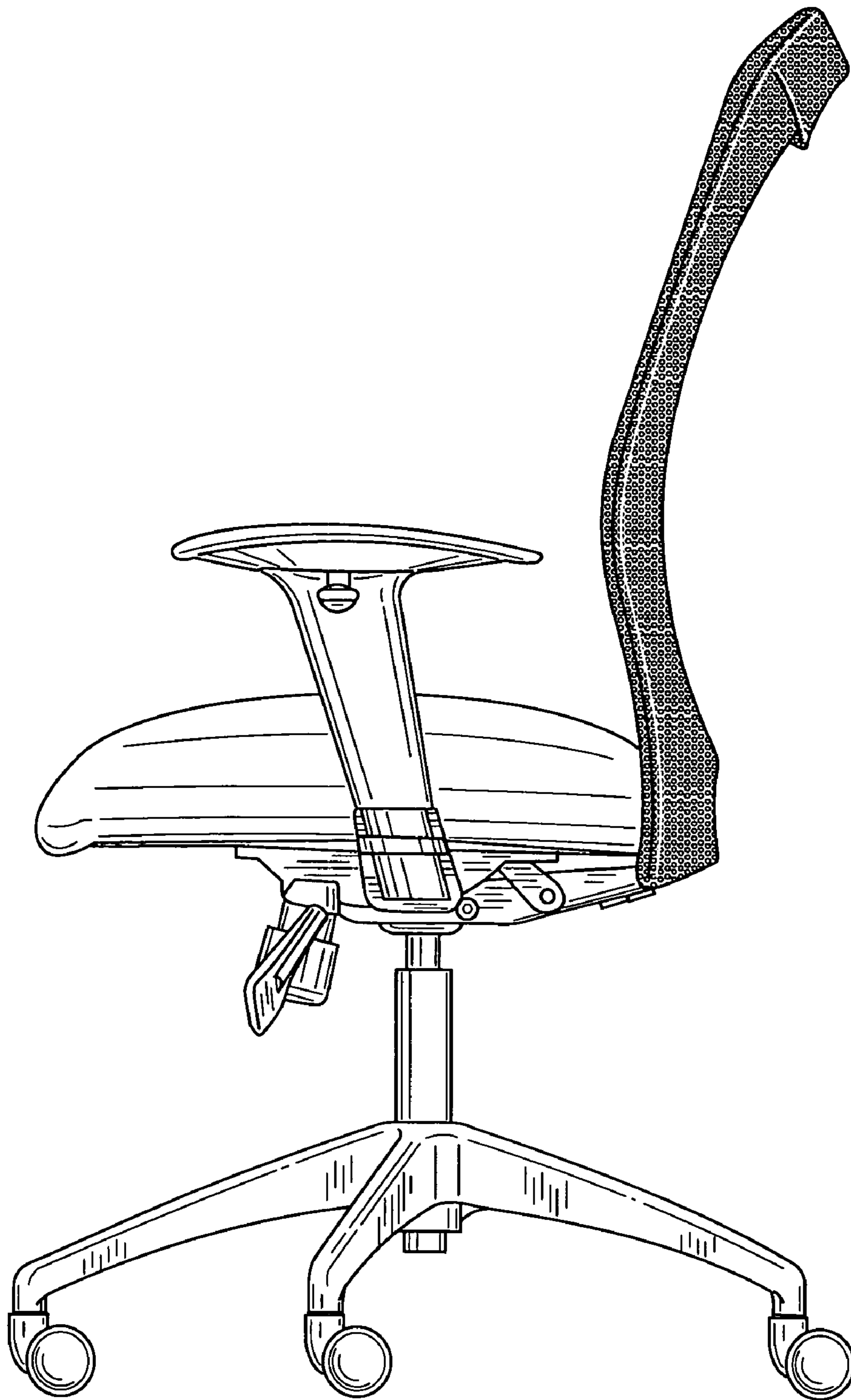


FIG. 5

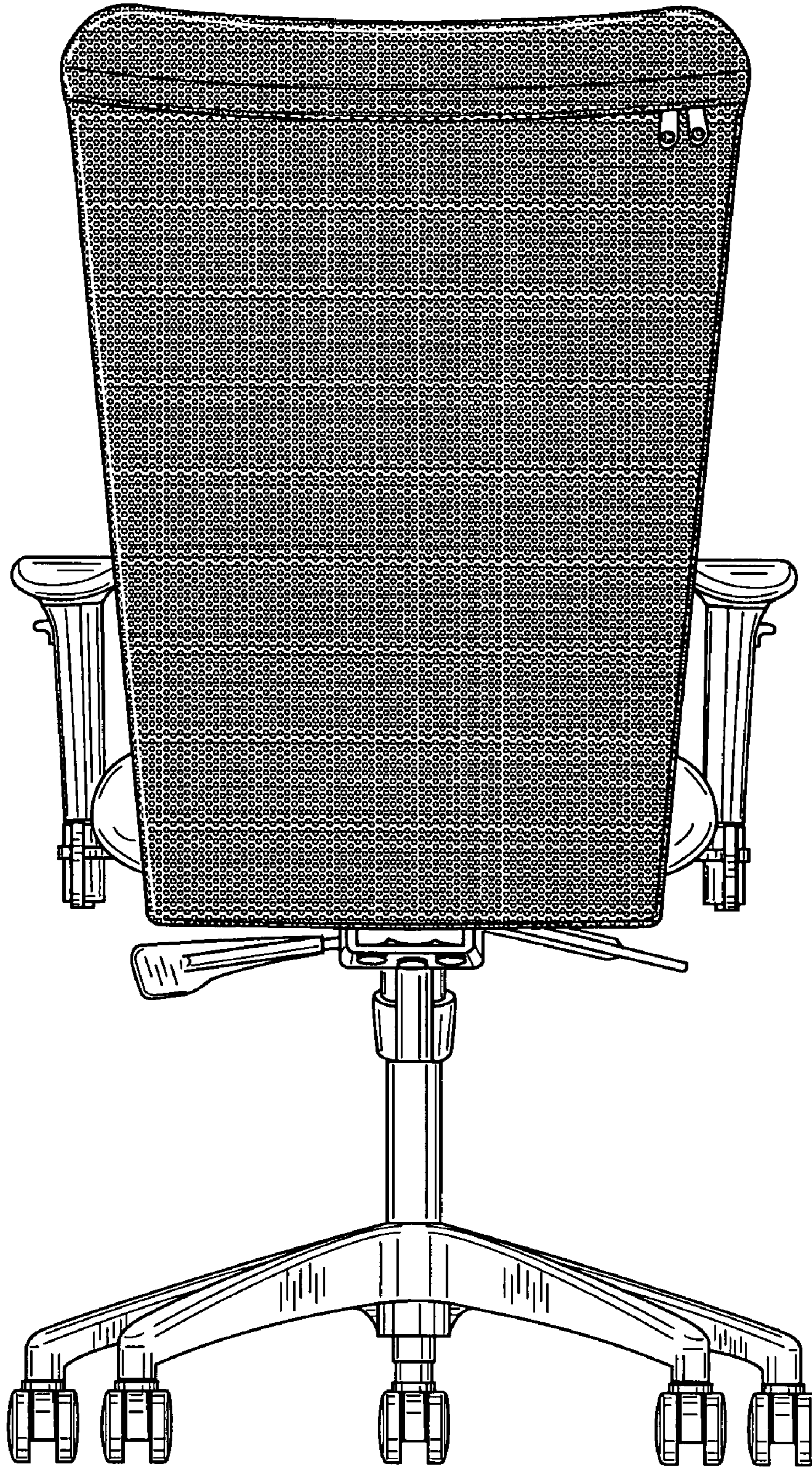


FIG. 6

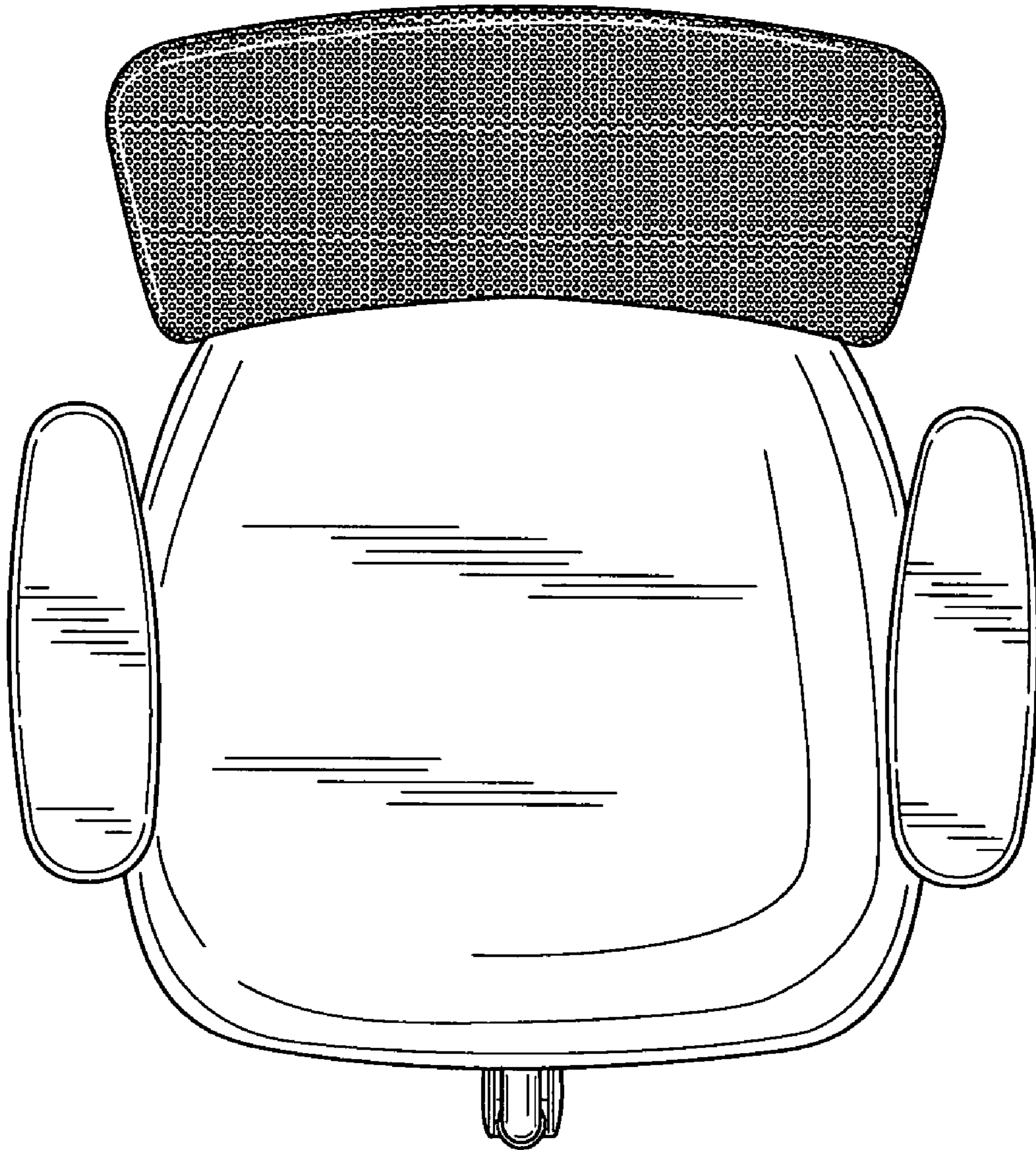


FIG. 7

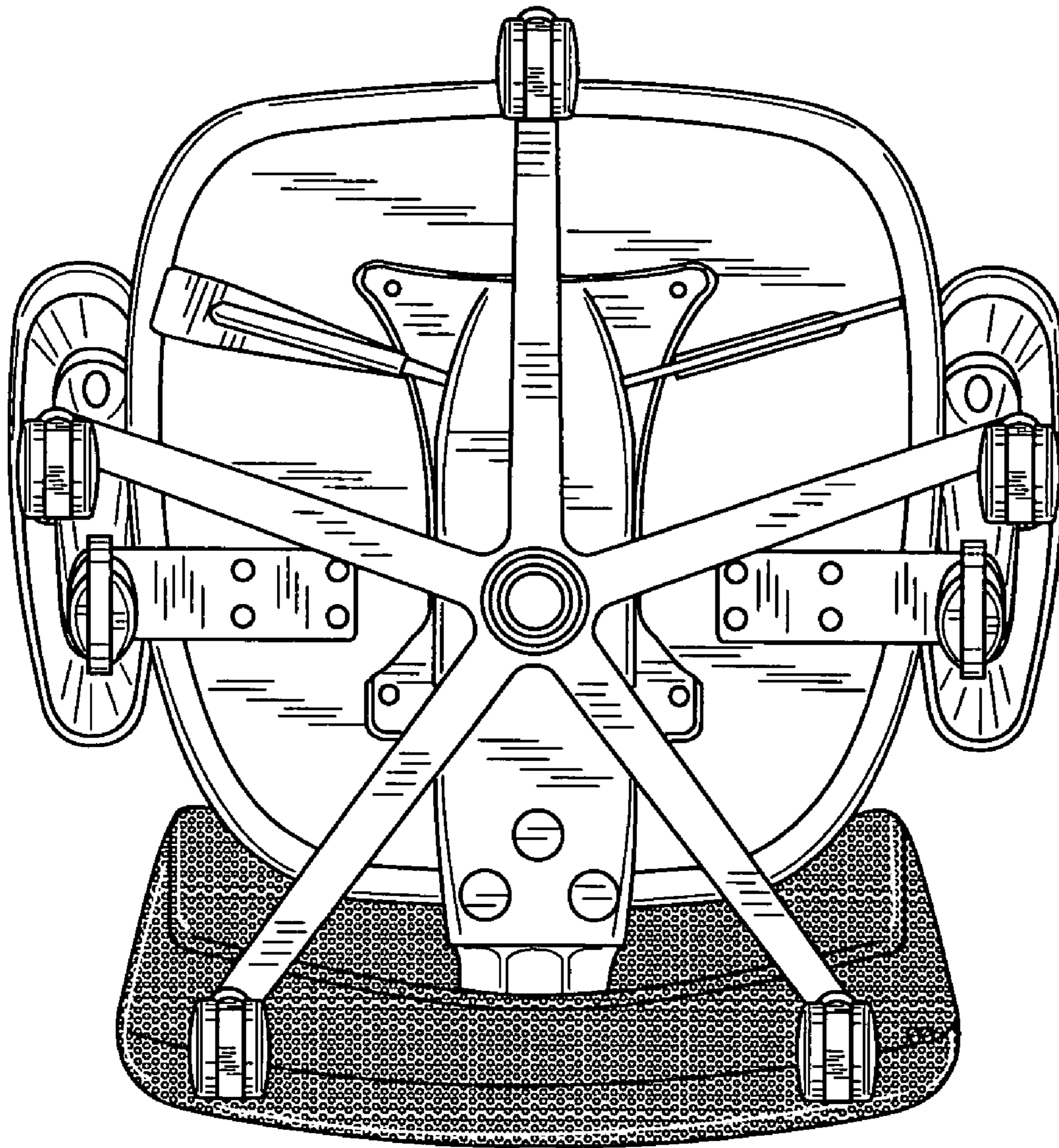


FIG. 8