

US00D566409S

(12) **United States Design Patent**
Lindqvist et al.

(10) **Patent No.: US D566,409 S**
(45) **Date of Patent: ** Apr. 15, 2008**

(54) **SHOWER STOOL**

(57) **CLAIM**

(75) Inventors: **Bo Lindqvist**, Anderstorp (SE);
Magnus Riisgaard, Anderstorp (SE)

The ornamental design for a shower stool, as shown and described.

(73) Assignee: **Etac AB**, Kista (SE)

DESCRIPTION

(**) Term: **14 Years**

FIG. 1 is a front view of a shower tool according to an embodiment of the present invention;

(21) Appl. No.: **29/248,260**

FIG. 2 is a front perspective view of the shower stool according to the embodiment of the present invention;

(22) Filed: **Aug. 7, 2006**

FIG. 3 is a rear perspective view of a shower stool according to the embodiment of the present invention;

(30) **Foreign Application Priority Data**

Feb. 8, 2006 (EM) 000476544-0001
Feb. 8, 2006 (EM) 000476544-0002

FIG. 4 is a rear view of a shower stool according to the embodiment of the present invention;

(51) **LOC (8) Cl.** **06-01**

FIG. 5 is a real perspective view of seat for a shower stool, with the legs removed, according to the embodiment of the present invention;

(52) **U.S. Cl.** **D6/352**

(58) **Field of Classification Search** D6/349-355,
D6/363-364, 484, 495, 500-502, 601; 297/195.1,
297/195.11, 16.1, 118, 16.2, 175, 187, 462,
297/215.16, 219.11, 423.1, 423.39, 423.41,
297/423.43, 461; 108/53.3, 115, 150
See application file for complete search history.

FIG. 6 is a top view of a seat for a shower stool, with the legs removed, according to the embodiment of the present invention;

(56) **References Cited**

U.S. PATENT DOCUMENTS

D136,719 S * 11/1943 Crandall D6/349
D168,001 S * 10/1952 Sachs D6/349
3,520,506 A * 7/1970 Zahuranec et al. 248/188
D237,336 S * 10/1975 Loscalzo D6/484
D355,776 S * 2/1995 Good D6/349

FIG. 7 is a front view of a seat for a shower stool, with the legs removed, according to the embodiment of the present invention; and

FIG. 8 is a rear view of a seat for a shower stool, with the legs removed, according to the embodiment of the present invention;

FIG. 9 is a bottom perspective view of a seat for a shower stool, with the legs removed, according to the embodiment of the present invention; and,

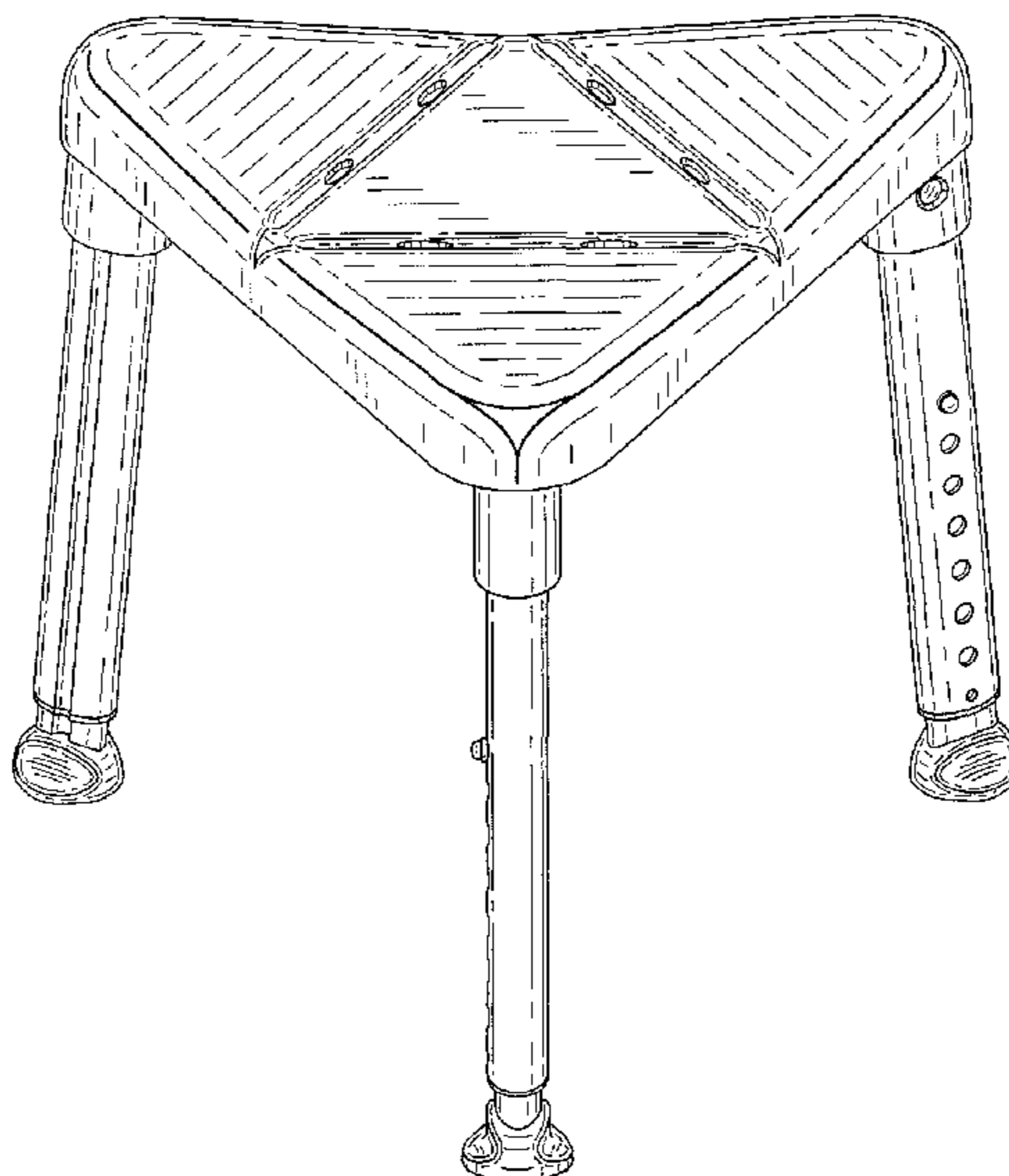
FIG. 10 is a bottom perspective view of a seat for a shower stool, with the legs removed, according to the embodiment of the present invention.

* cited by examiner

The broken lines shown in the drawings are for illustrative purposes only and form no part of the claimed design.

Primary Examiner—Sandra Snapp
(74) *Attorney, Agent, or Firm*—WRB-IP LLP

1 Claim, 9 Drawing Sheets



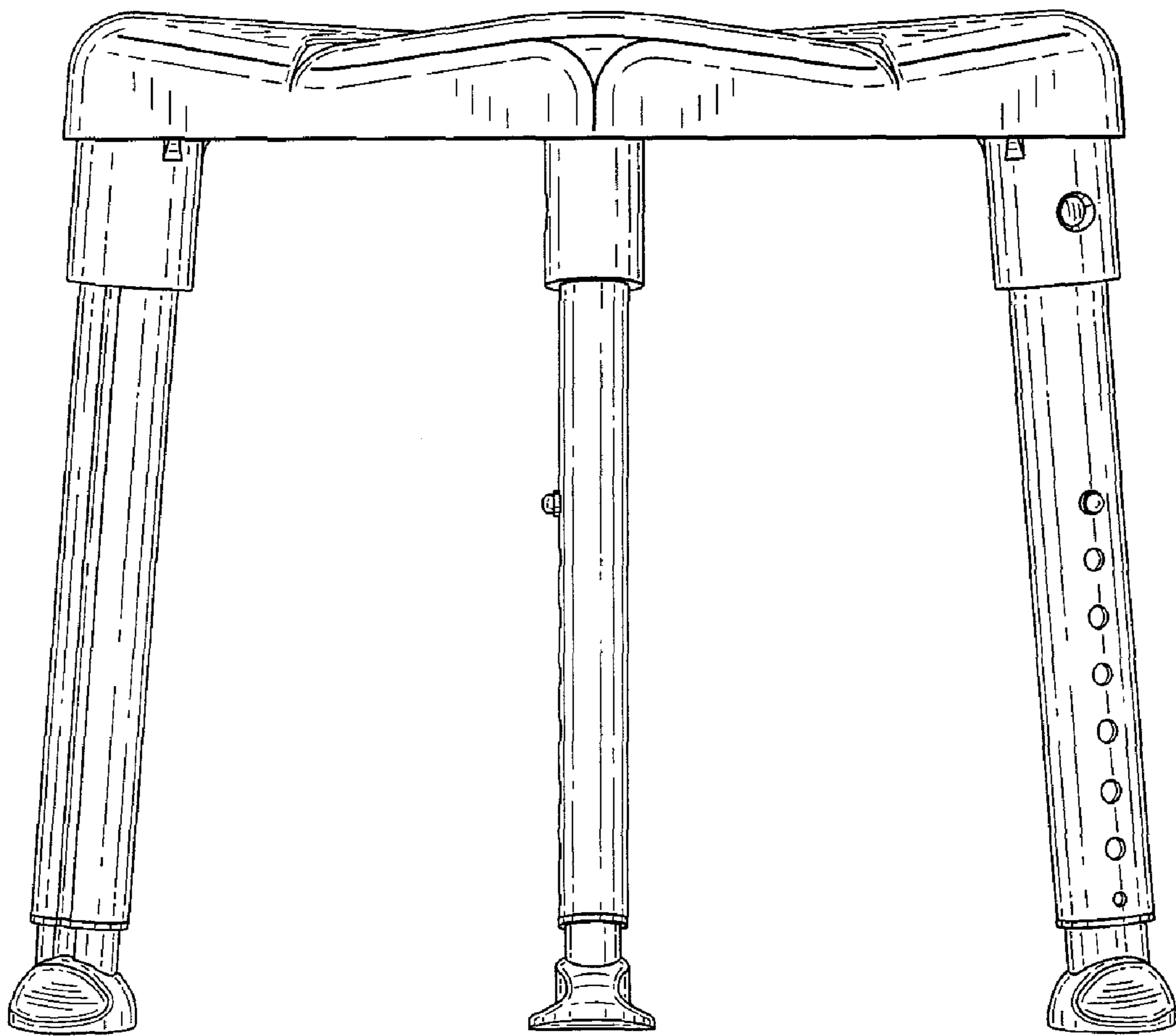


FIG. 1

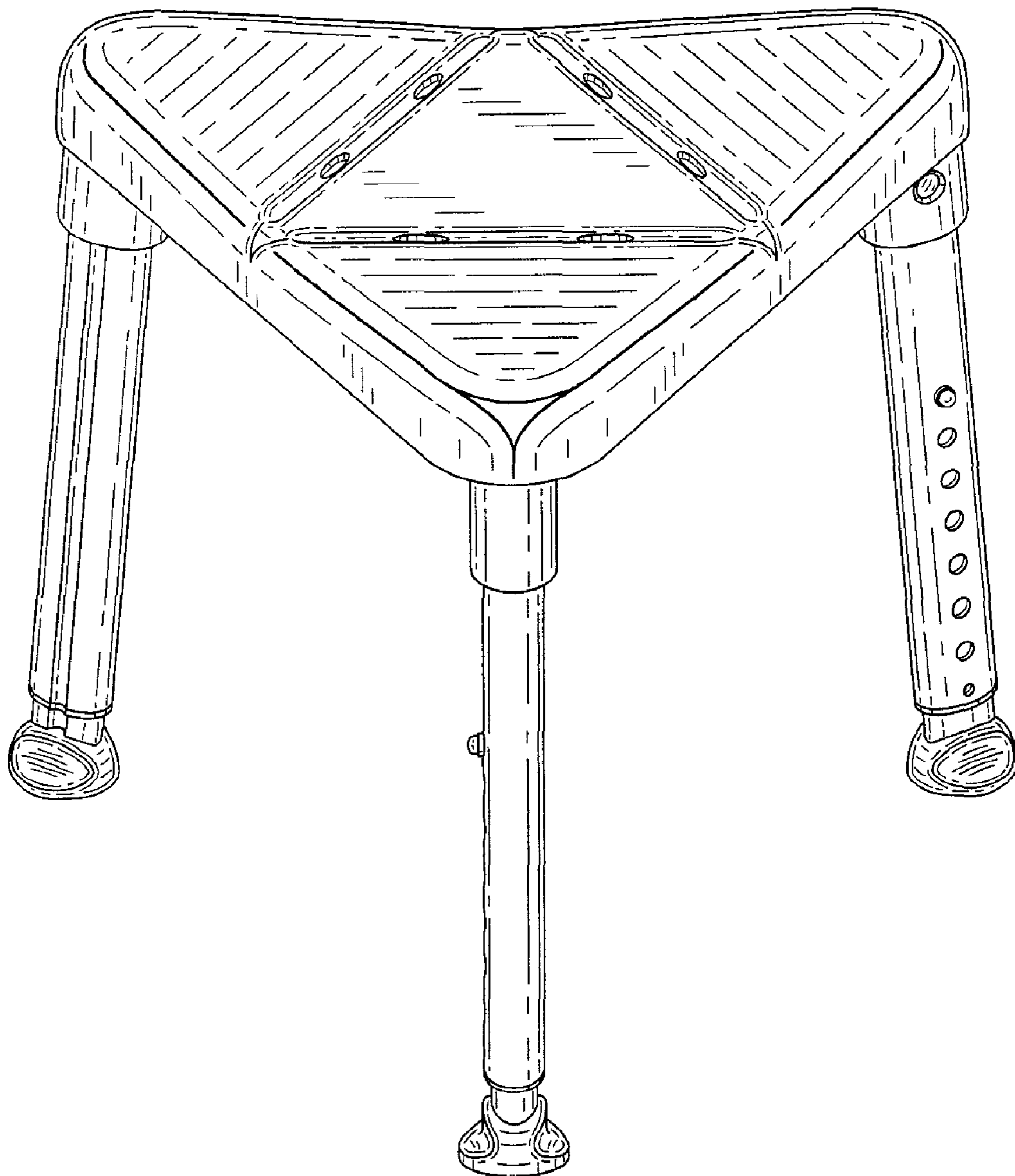


FIG. 2

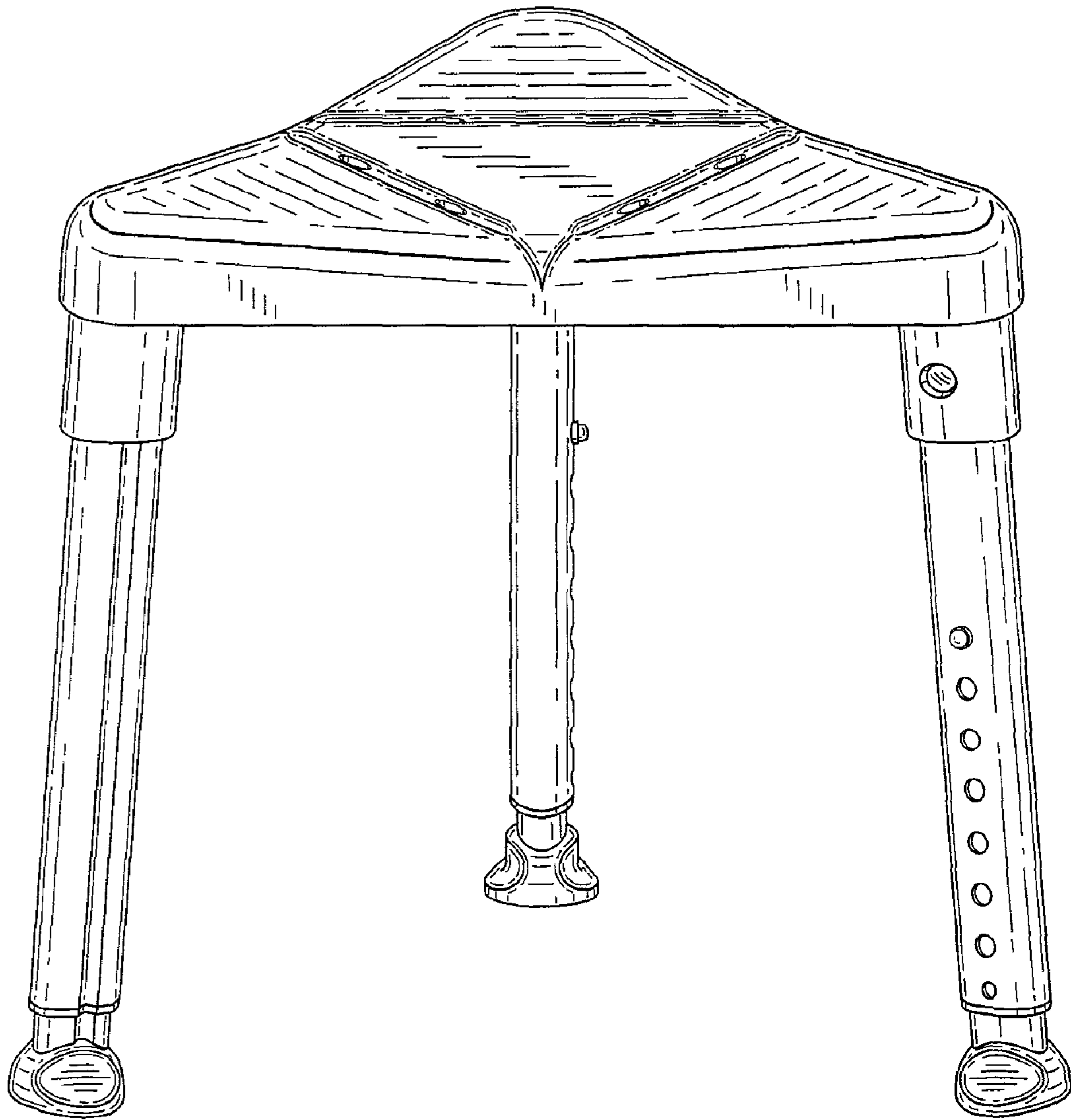


FIG. 3

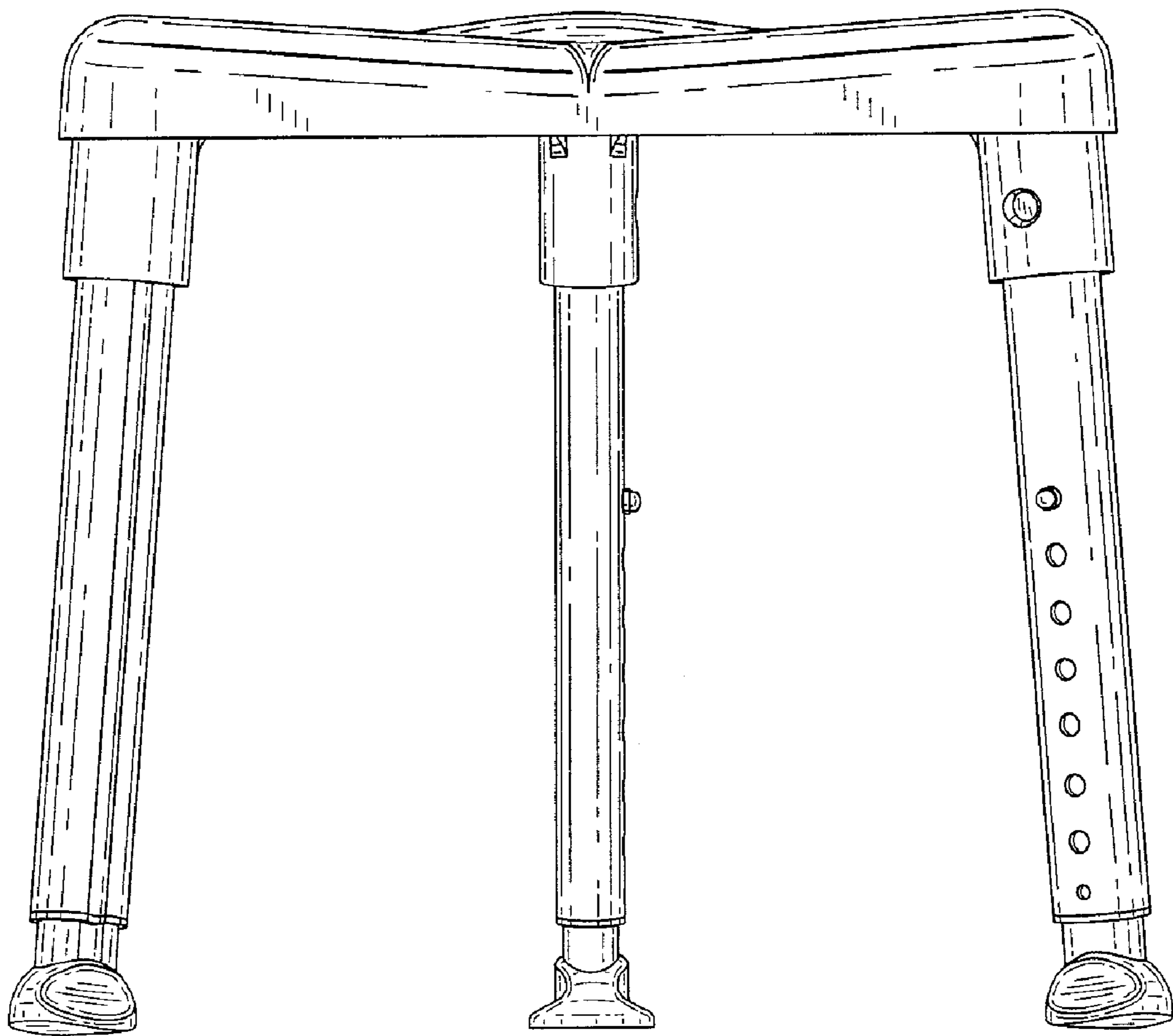


FIG. 4

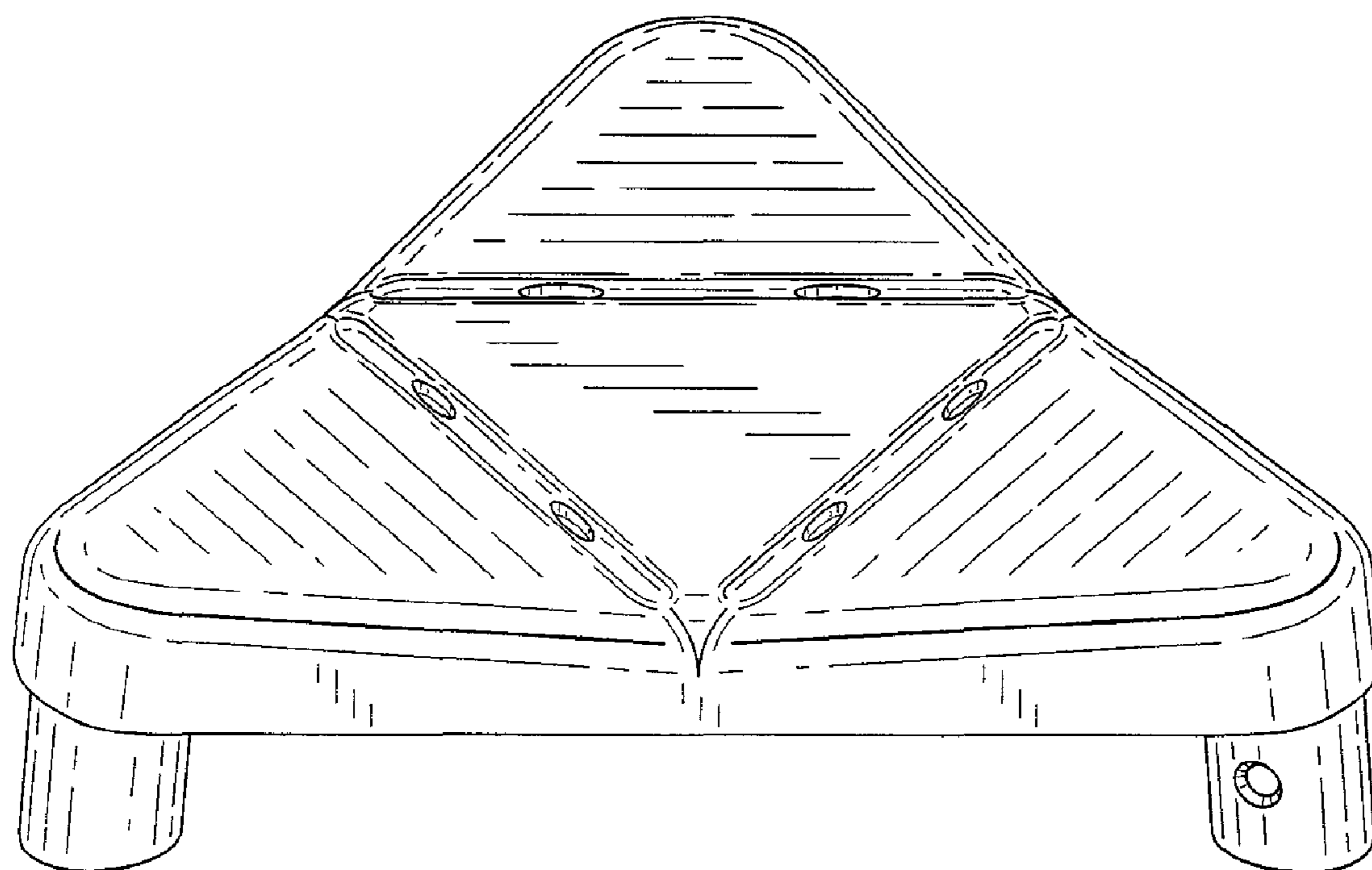


FIG. 5

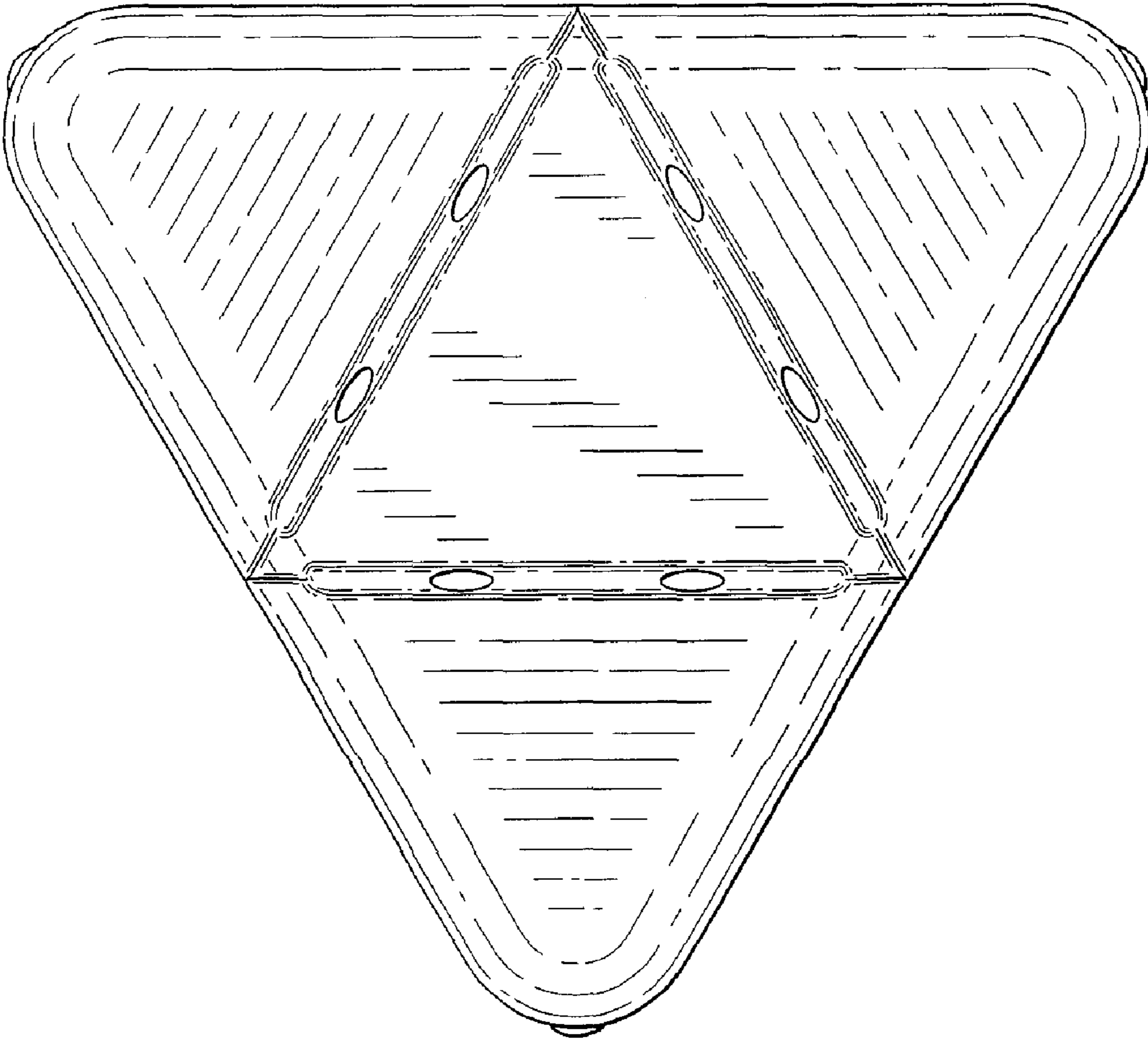


FIG. 6

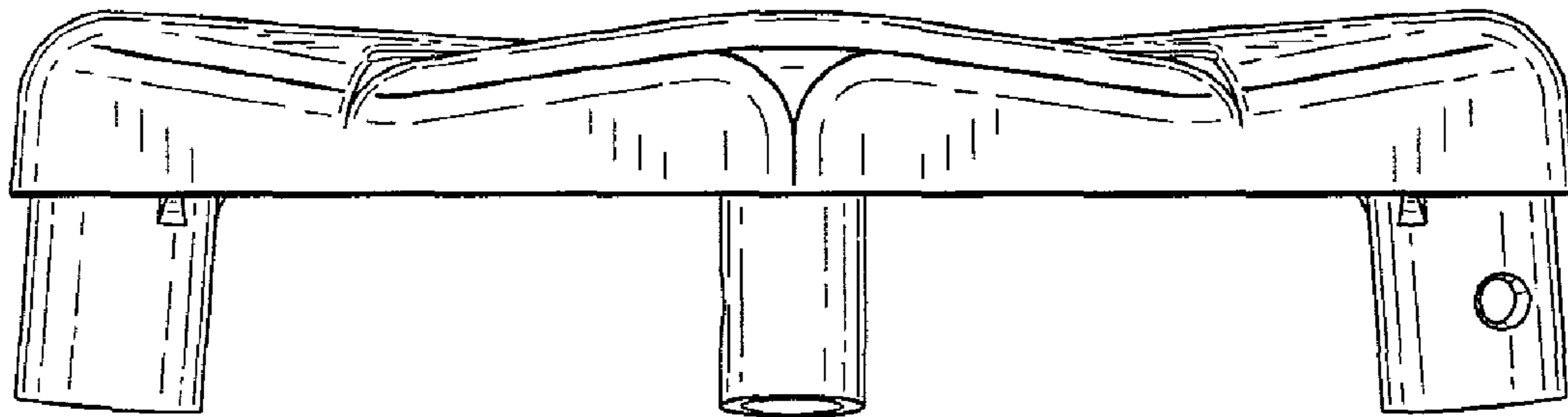


FIG. 7

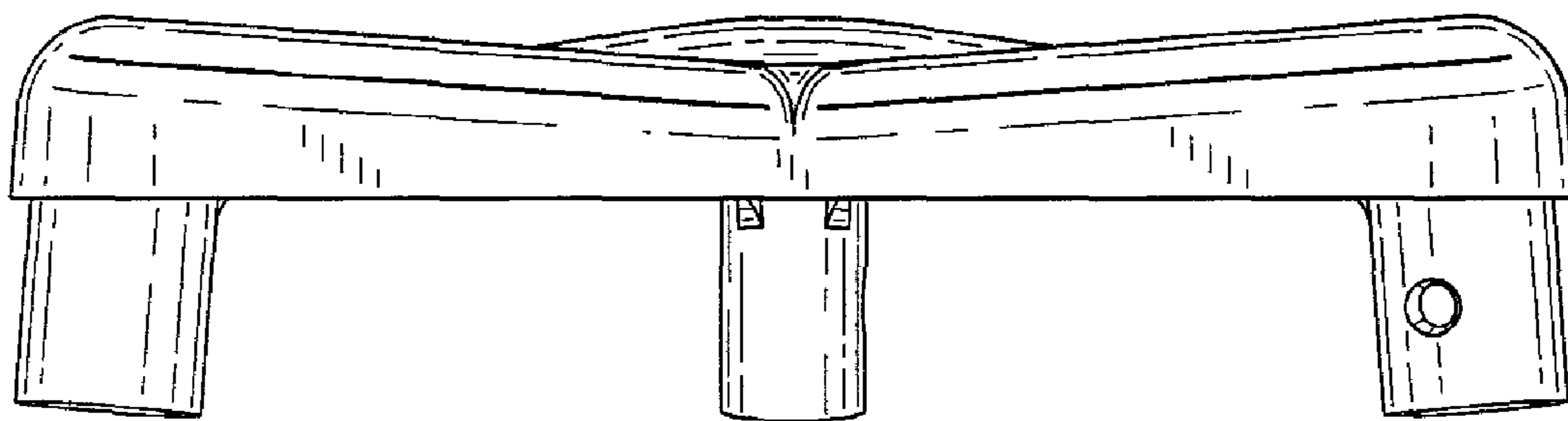


FIG. 8

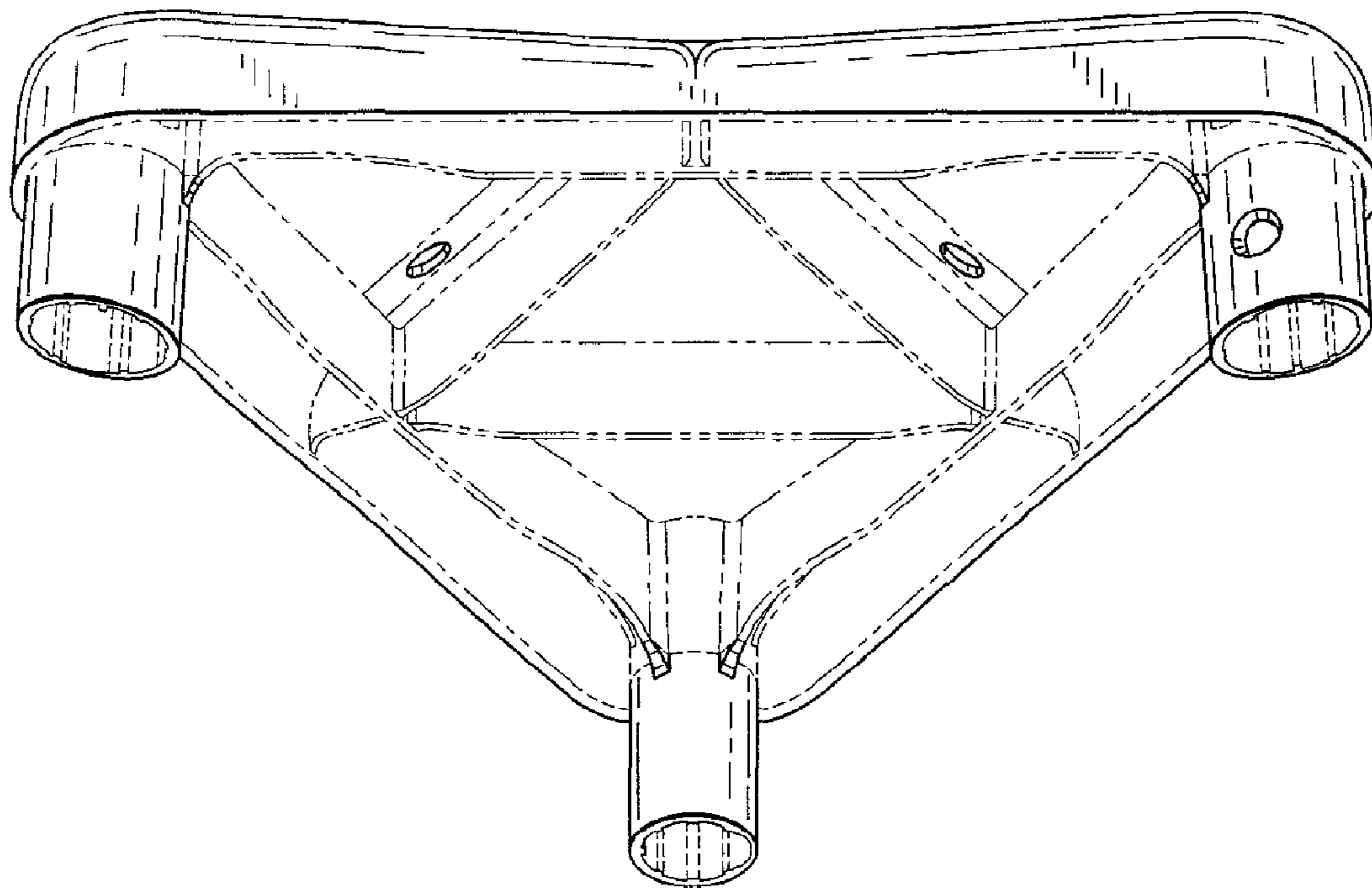


FIG. 9

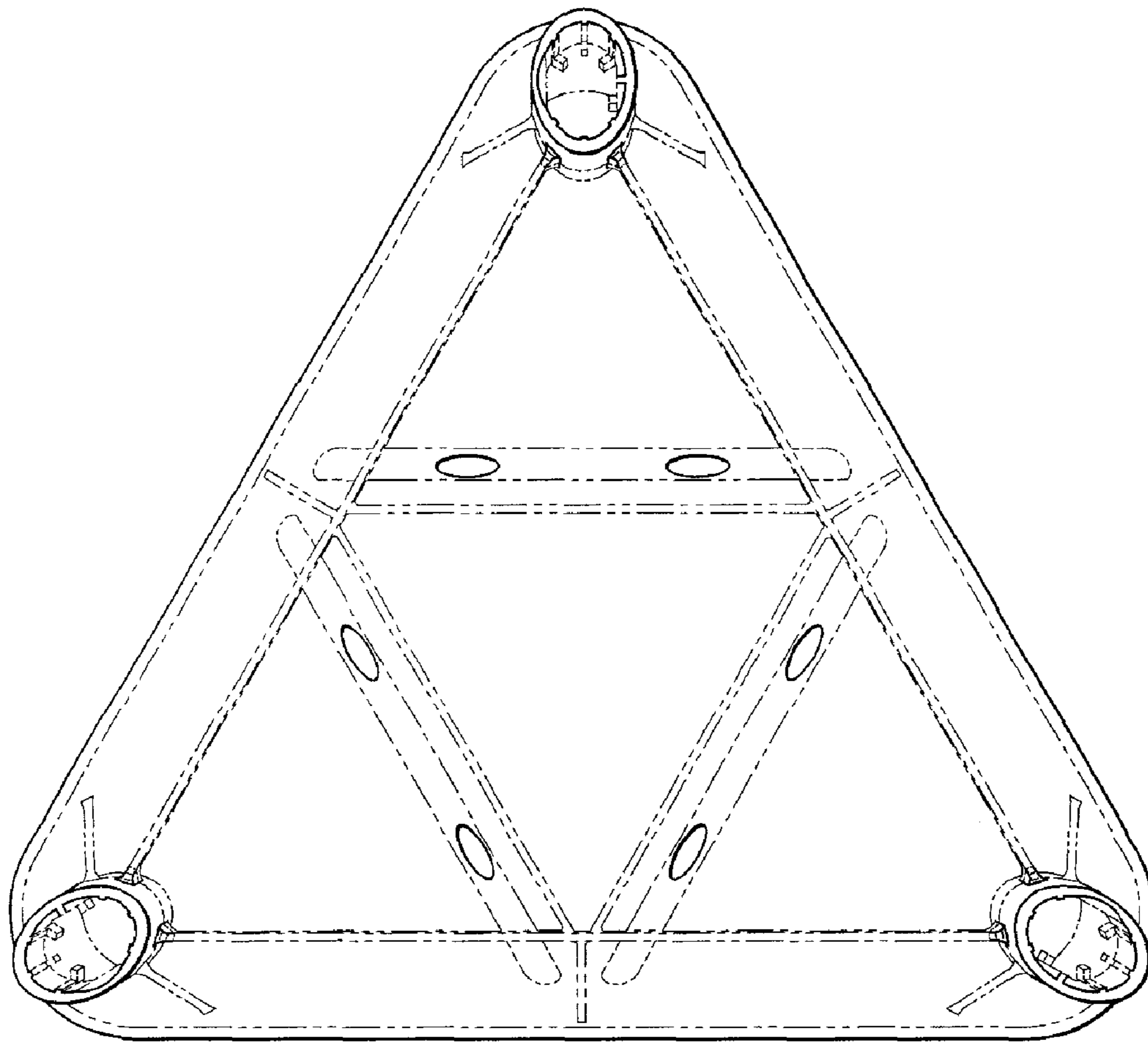


FIG. 10