

US00D566408S

(12) **United States Design Patent**  
**Gonzalez**

(10) **Patent No.:** **US D566,408 S**

(45) **Date of Patent:** **\*\* Apr. 15, 2008**

(54) **STEP STOOL**

D244,494 S \* 5/1977 Dottinger ..... D6/350  
D262,419 S \* 12/1981 Cramer ..... D6/350  
D524,069 S \* 7/2006 Lim ..... D6/350

(75) Inventor: **Mario Gonzalez**, Lawrence, KS (US)

(73) Assignee: **Cramer Inc.**, North Kansas City, MO (US)

\* cited by examiner

*Primary Examiner*—Sandra Snapp

(\*\*) Term: **14 Years**

(74) *Attorney, Agent, or Firm*—Schwegman, Lundberg & Woessner P.A.

(21) Appl. No.: **29/246,291**

(57) **CLAIM**

(22) Filed: **Mar. 29, 2006**

The ornamental design for the step stool, as shown and described.

(51) **LOC (8) Cl.** ..... **06-01**

(52) **U.S. Cl.** ..... **D6/350**

(58) **Field of Classification Search** ..... D6/349–355,  
D6/363–364, 484, 495, 500–502; 297/195.1,  
297/195.11, 16.1, 118, 16.2, 175, 187, 462,  
297/215.16, 219.11, 423.1, 423.39, 423.41,  
297/423.43, 461; 108/53.3, 115, 150  
See application file for complete search history.

**DESCRIPTION**

FIG. 1 is a perspective view of the step stool, incorporating the new design;

FIG. 2 is a front elevational view, the rear elevational view being a mirror image;

FIG. 3 is a left side elevational view thereof; and

FIG. 4 is a right side elevational view thereof,

FIG. 5 is a top view of the step stool; and

FIG. 6 is a bottom view of the step stool; and,

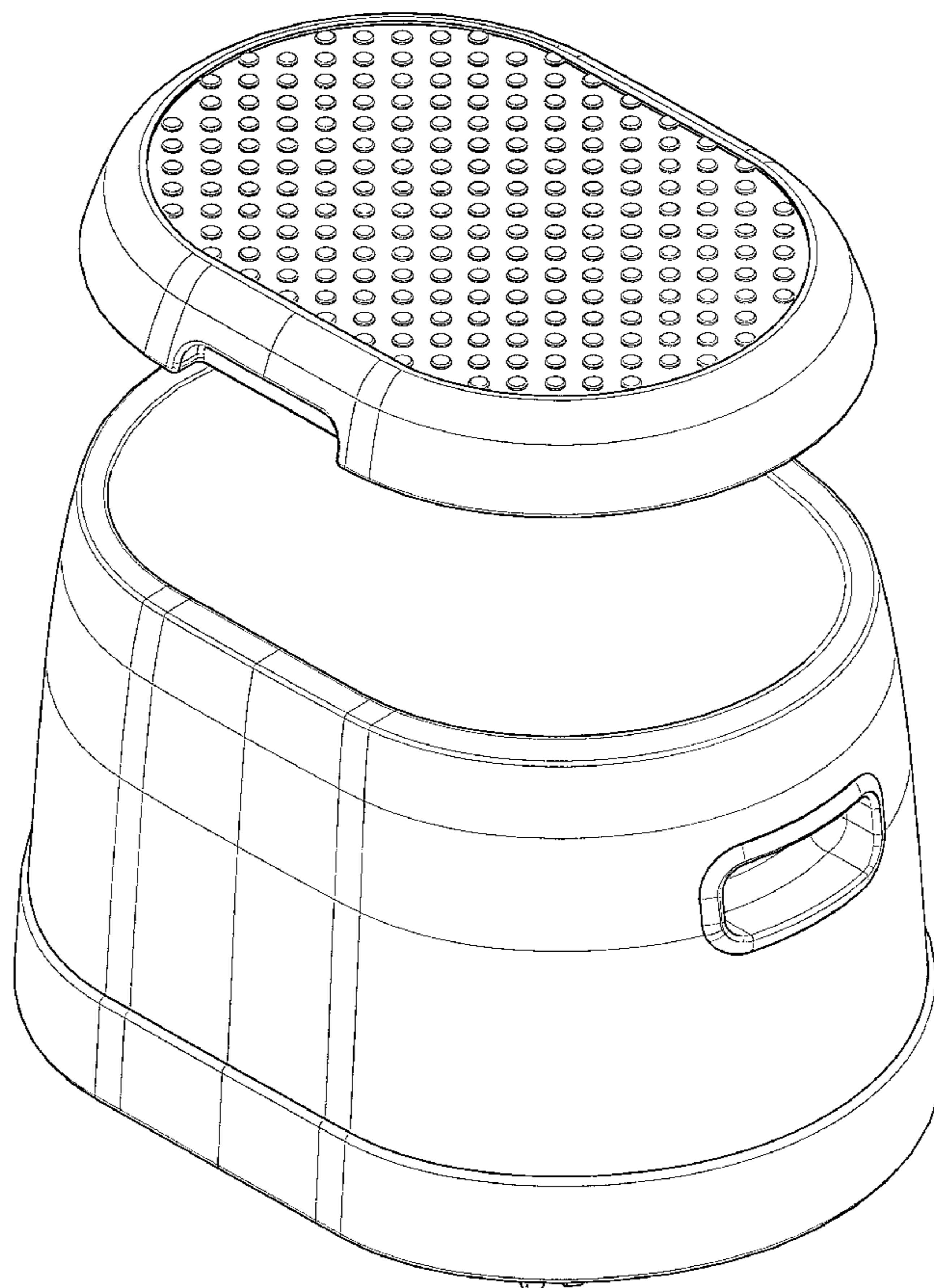
FIG. 7 is an exploded perspective view of the step stool.

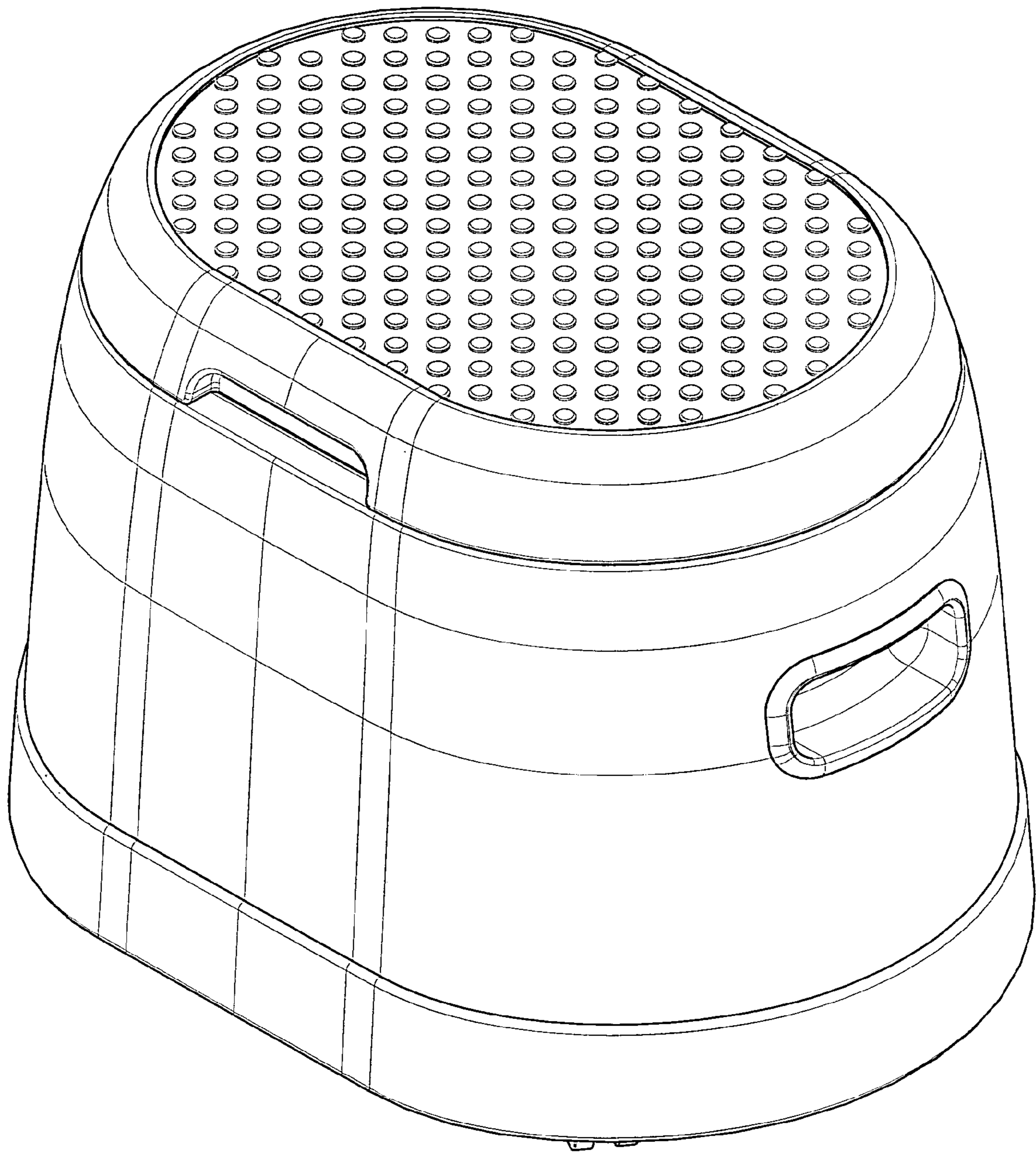
(56) **References Cited**

U.S. PATENT DOCUMENTS

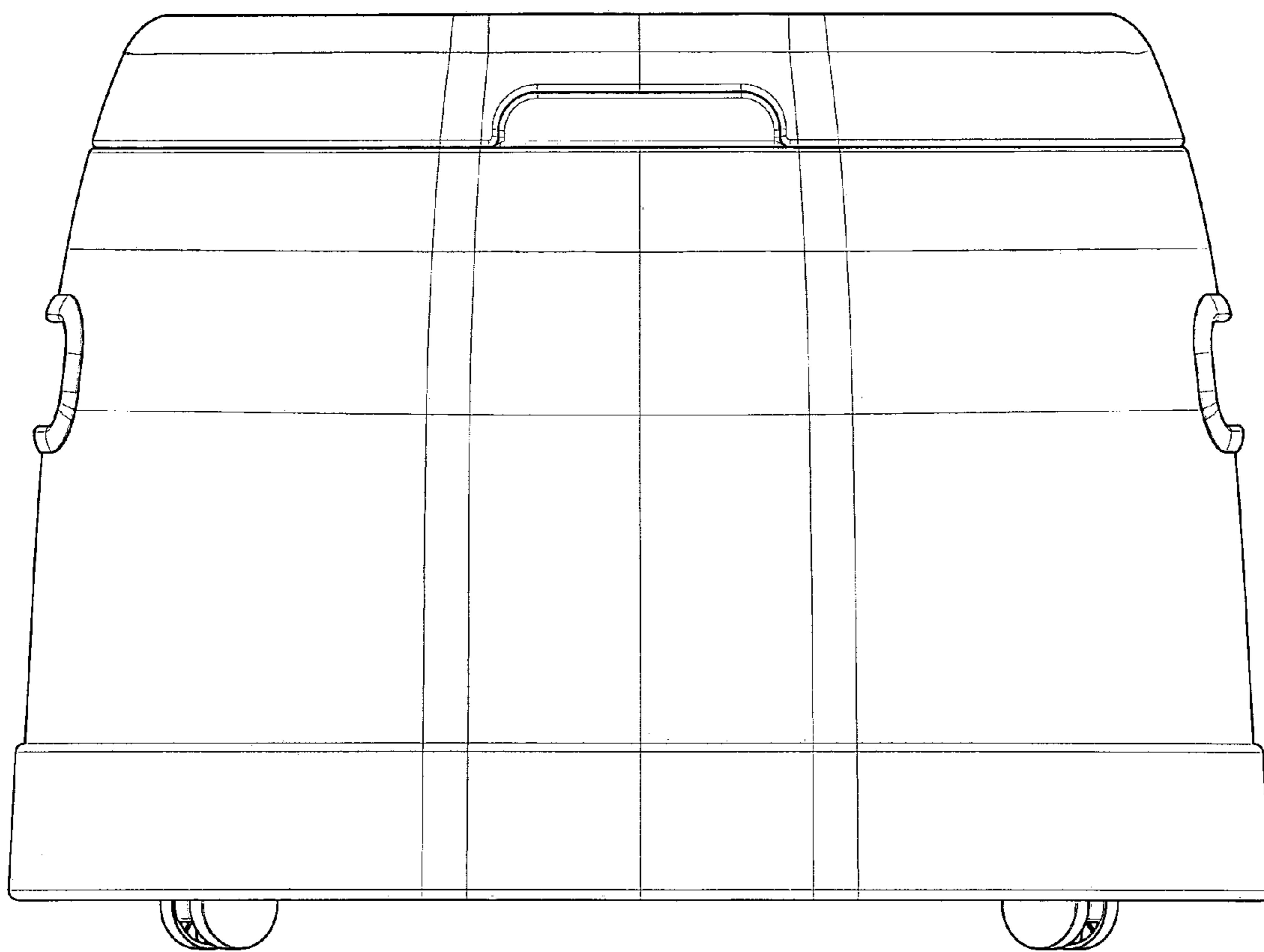
D184,390 S \* 2/1959 Cramer ..... D6/350  
D197,842 S \* 3/1964 Keller ..... D6/350  
D216,508 S \* 1/1970 Dottinger ..... D6/350  
3,559,761 A \* 2/1971 Wehner ..... 182/15  
3,599,750 A \* 8/1971 Serwer ..... 182/15

**1 Claim, 7 Drawing Sheets**

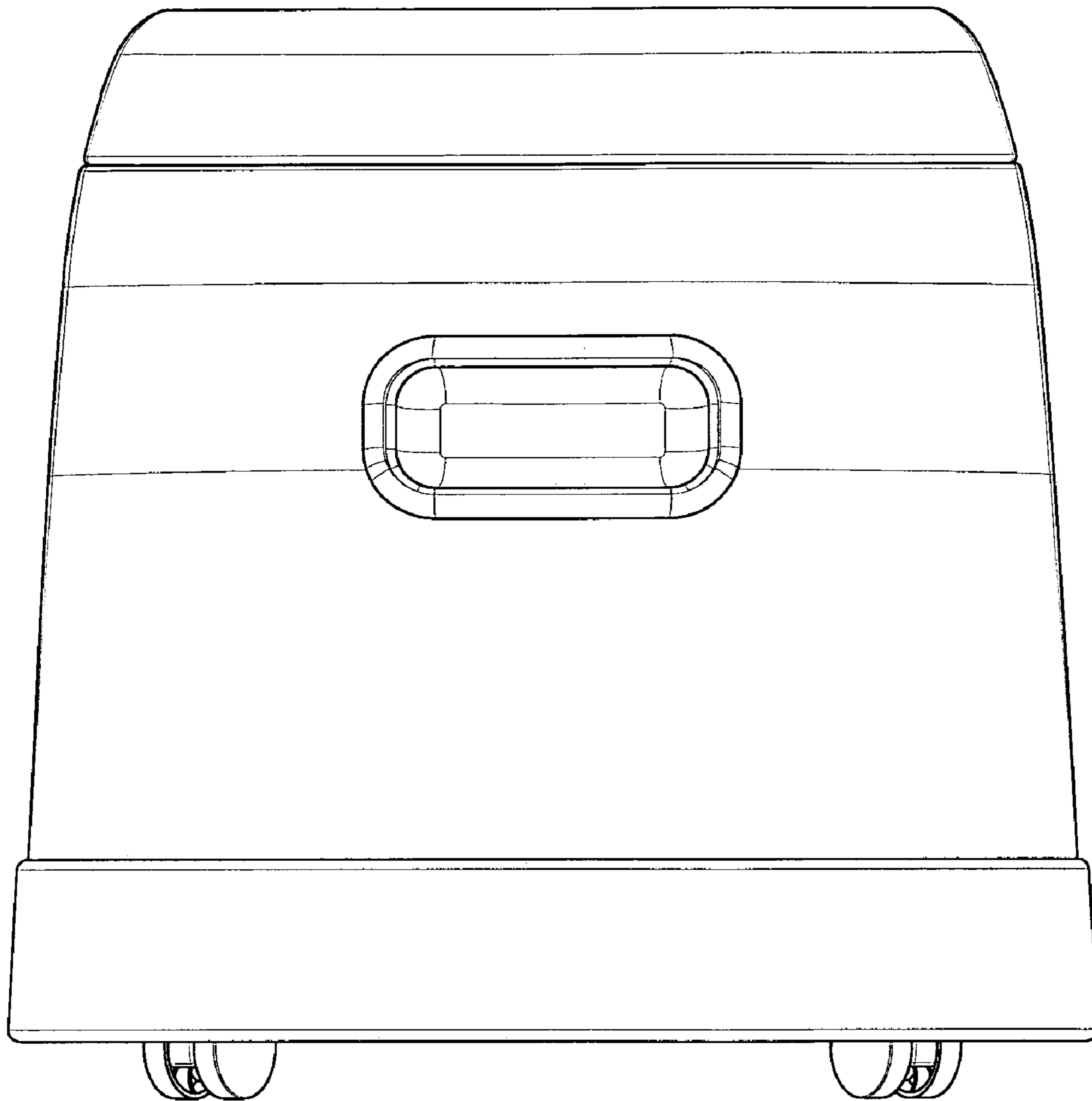




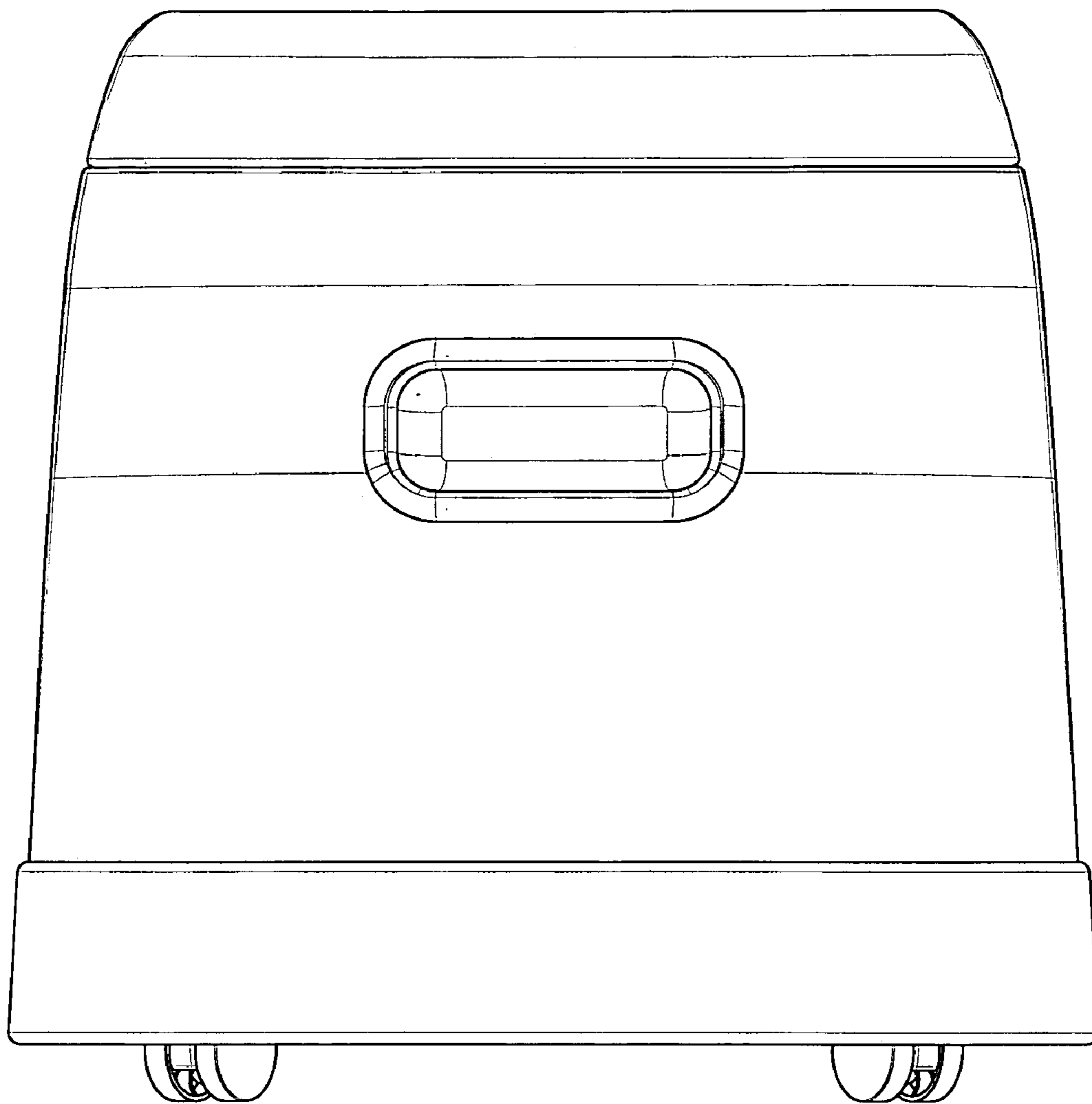
*Fig. 1*



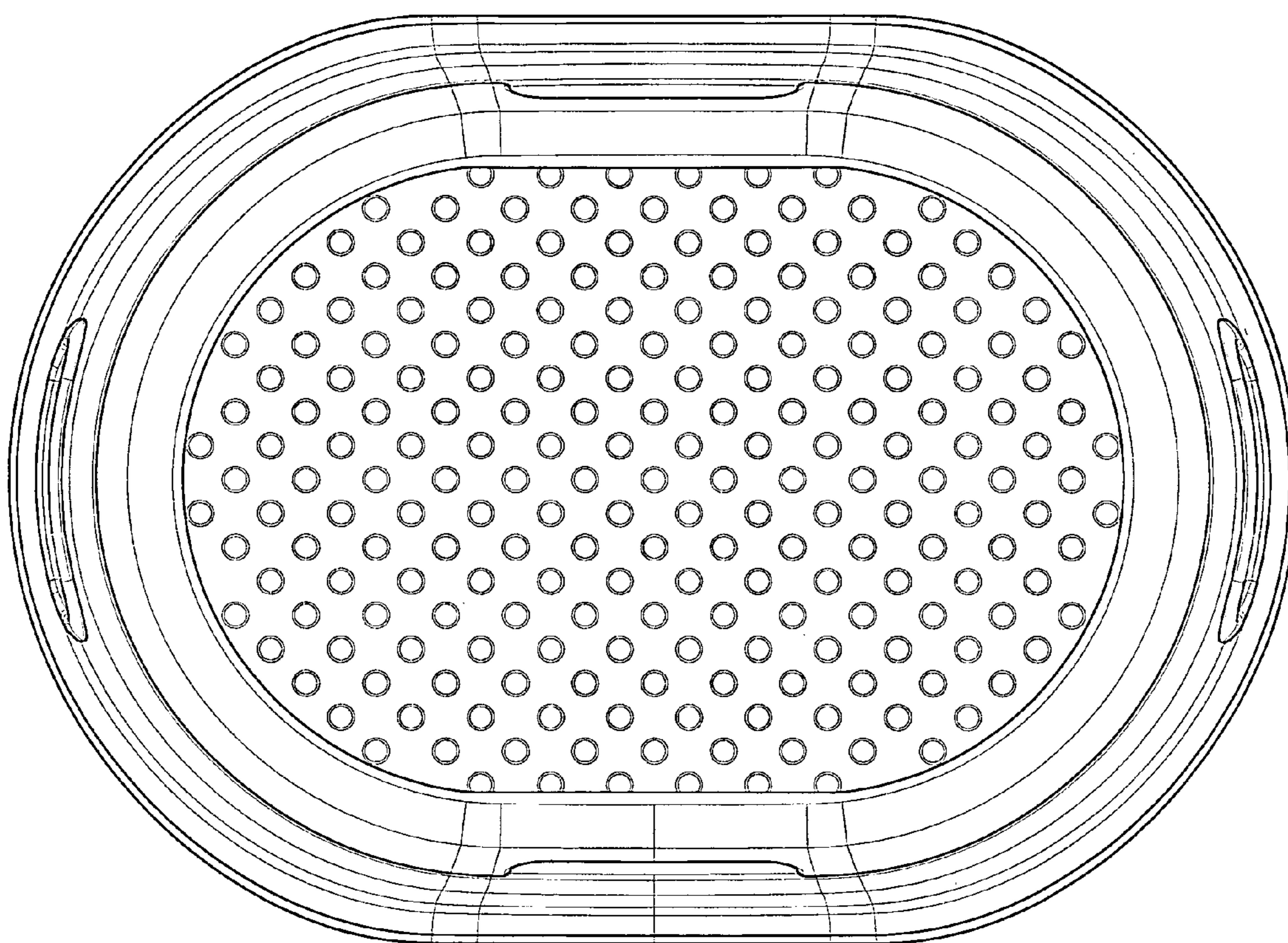
*Fig. 2*



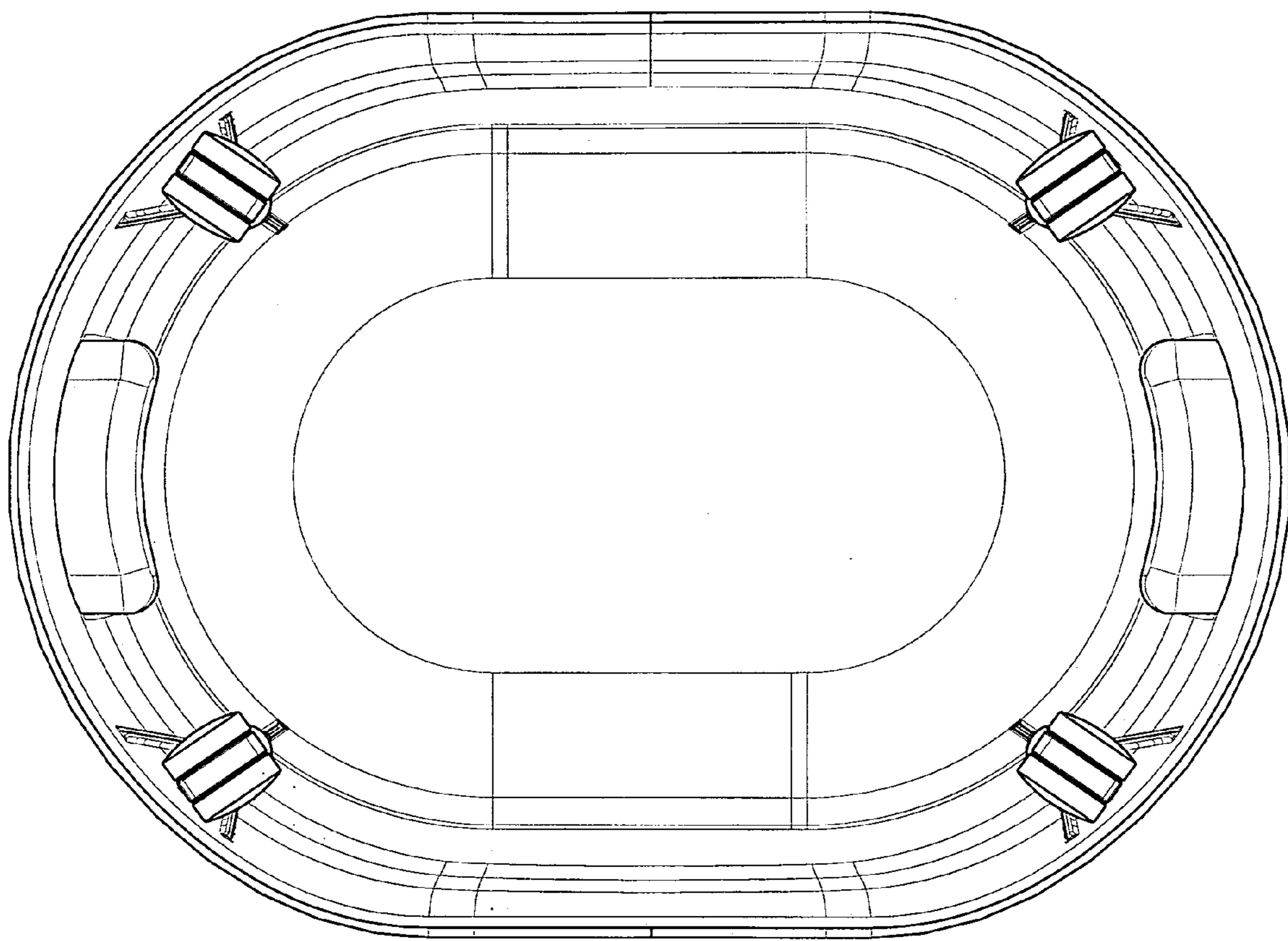
*Fig. 3*



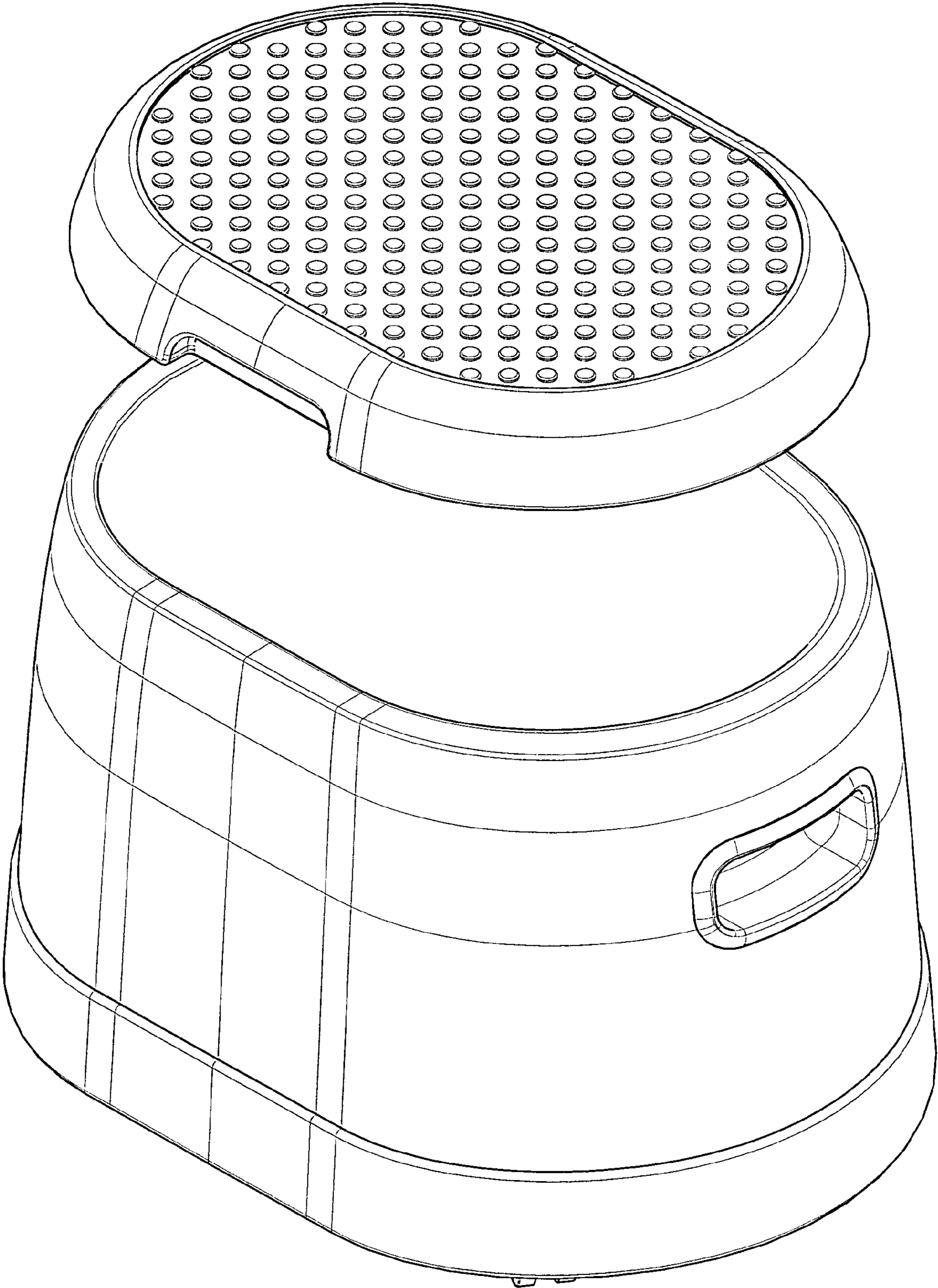
*Fig. 4*



*Fig. 5*



*Fig. 6*



*Fig. 7*