



US00D566399S

(12) **United States Design Patent**
Ahlborn

(10) **Patent No.:** **US D566,399 S**

(45) **Date of Patent:** **** Apr. 15, 2008**

(54) **STORAGE TUBE AND CAP**

(76) Inventor: **Gene K. Ahlborn**, 7931 N. Lost Lake Dr., St. Germain, WI (US) 54558

(**) Term: **14 Years**

(21) Appl. No.: **29/259,403**

(22) Filed: **May 8, 2006**

(51) **LOC (8) Cl.** **03-01**

(52) **U.S. Cl.** **D3/321**

(58) **Field of Classification Search** D3/201,
D3/205-206, 226, 270-273, 292, 294, 318-319,
D3/321-322, 324; 190/109, 119; D19/35,
D19/75, 77, 82, 83, 85, 100; 206/1.7, 38,
206/214, 224, 371, 425; D6/432-448; D8/403
See application file for complete search history.

(56) **References Cited**

U.S. PATENT DOCUMENTS

45,251 A *	11/1864	Chodorkow et al.	340/294
D247,993 S *	5/1978	Calzone, III	D3/204
D497,252 S *	10/2004	Perella et al.	D3/294
D498,049 S *	11/2004	Perella et al.	D3/273
D529,287 S *	10/2006	Perella et al.	D3/294
D549,447 S *	8/2007	Perella et al.	D3/206

* cited by examiner

Primary Examiner—Louis S. Zarfes

Assistant Examiner—Kathleen Sims

(74) *Attorney, Agent, or Firm*—Andrus, Scales, Starke & Sawall, LLP

(57) **CLAIM**

The ornamental design for a storage tube and cap, as shown and described.

DESCRIPTION

FIG. 1 is an isometric top view of a first embodiment of the top portion of a storage tube and cap showing my new design;

FIG. 2 is a front elevation view thereof;

FIG. 3 is a side elevation view thereof;

FIG. 4 is a top plan view thereof;

FIG. 5 is an exploded isometric view thereof;

FIG. 6 is an isometric view of a second embodiment of the top portion of a storage tube and cap;

FIG. 7 is a front elevation view thereof;

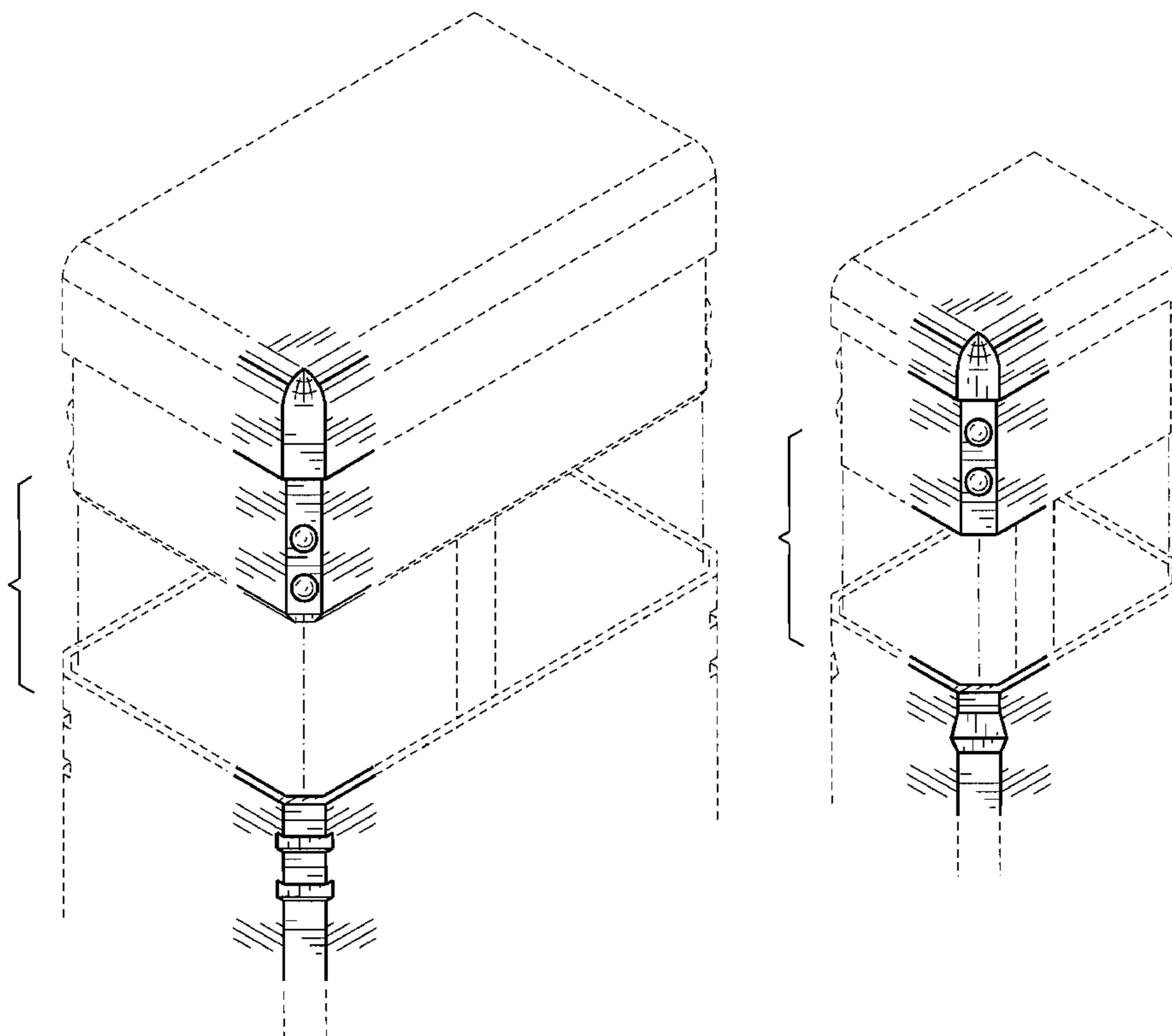
FIG. 8 is a side elevation view thereof;

FIG. 9 is a top plan view thereof; and,

FIG. 10 is an exploded isometric view thereof.

The broken line showing of a container and lid is included for the purpose of illustrating portions of the storage tube and cap and forms no part of the claimed design.

1 Claim, 3 Drawing Sheets



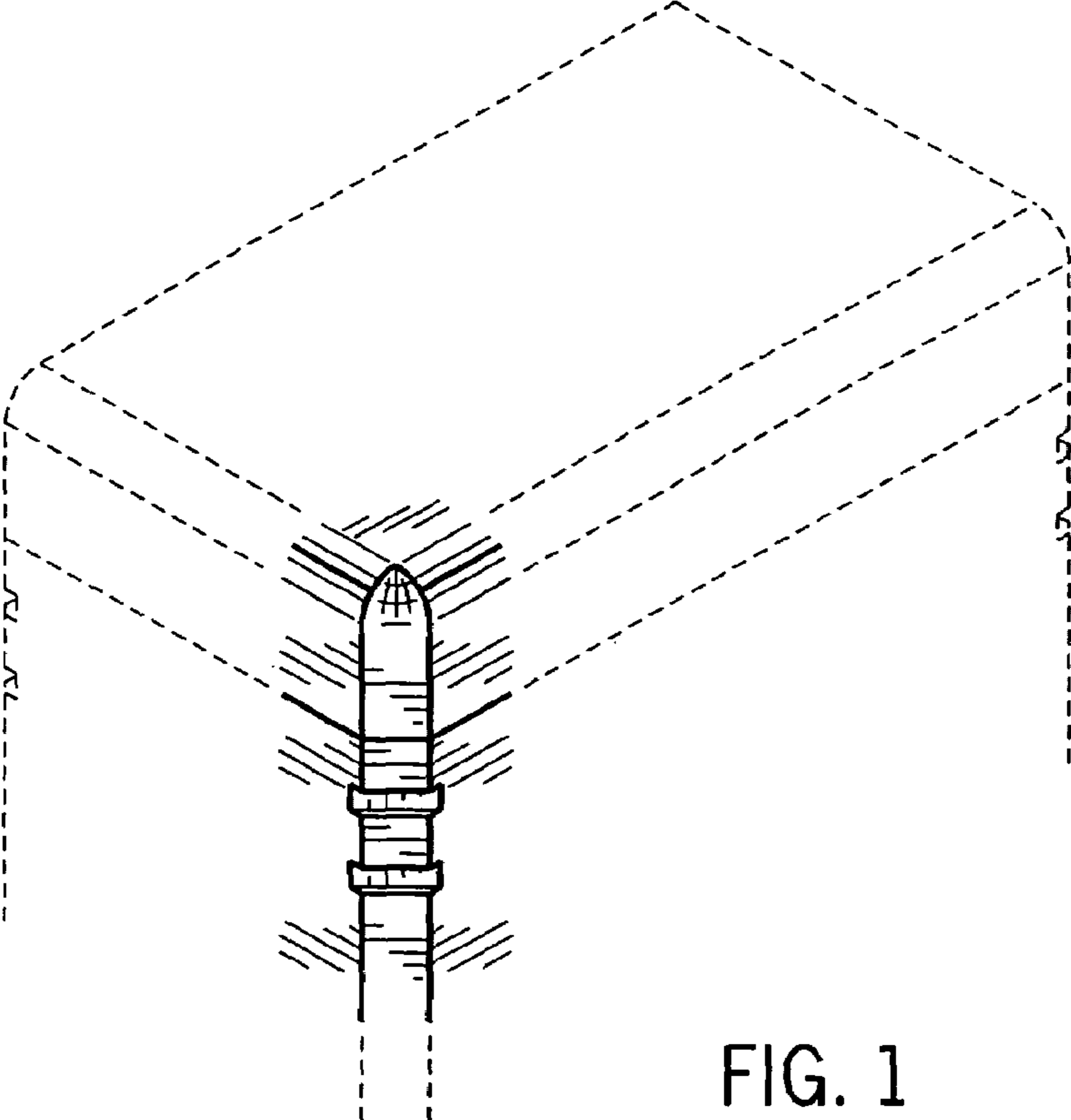


FIG. 1

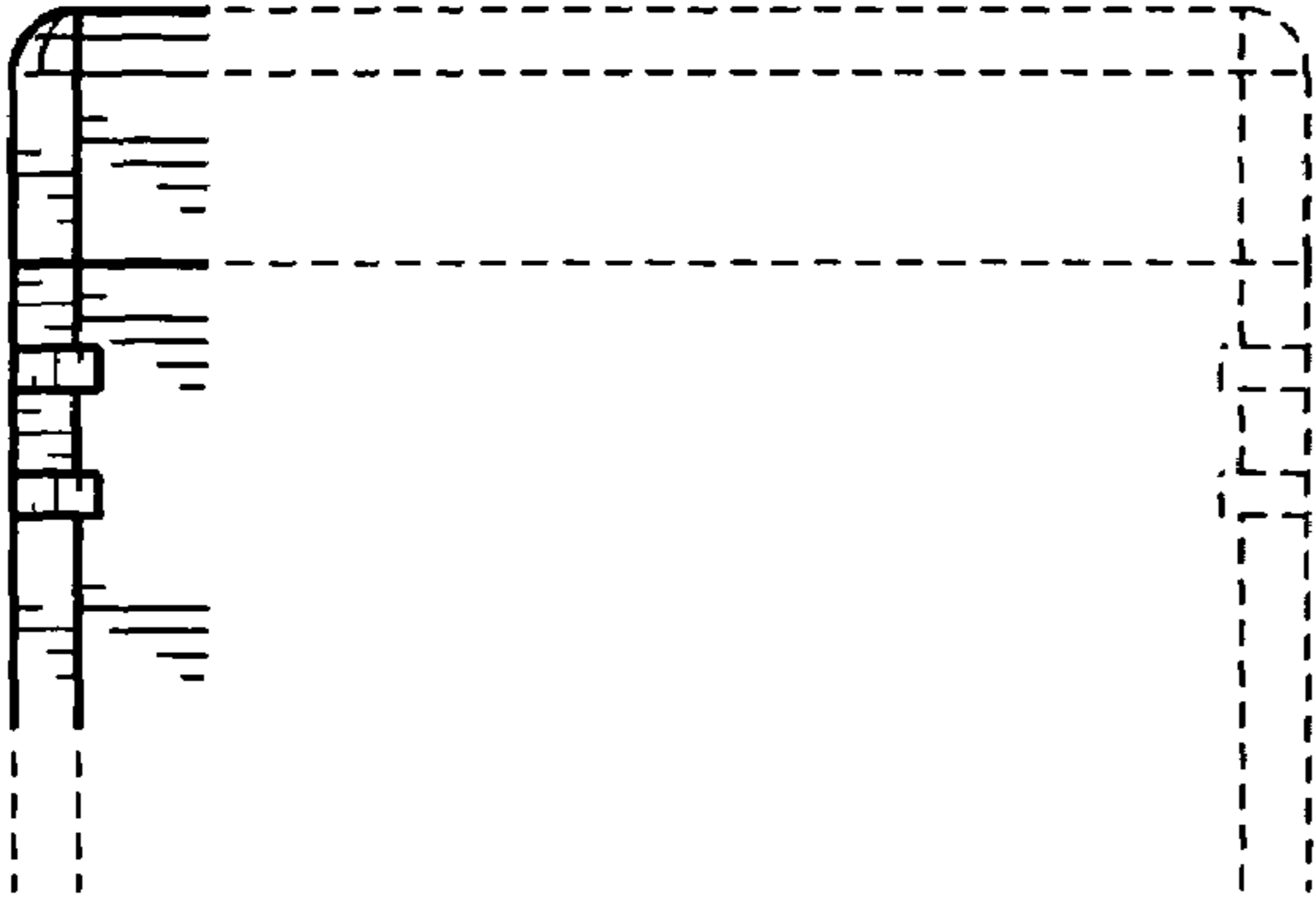


FIG. 2

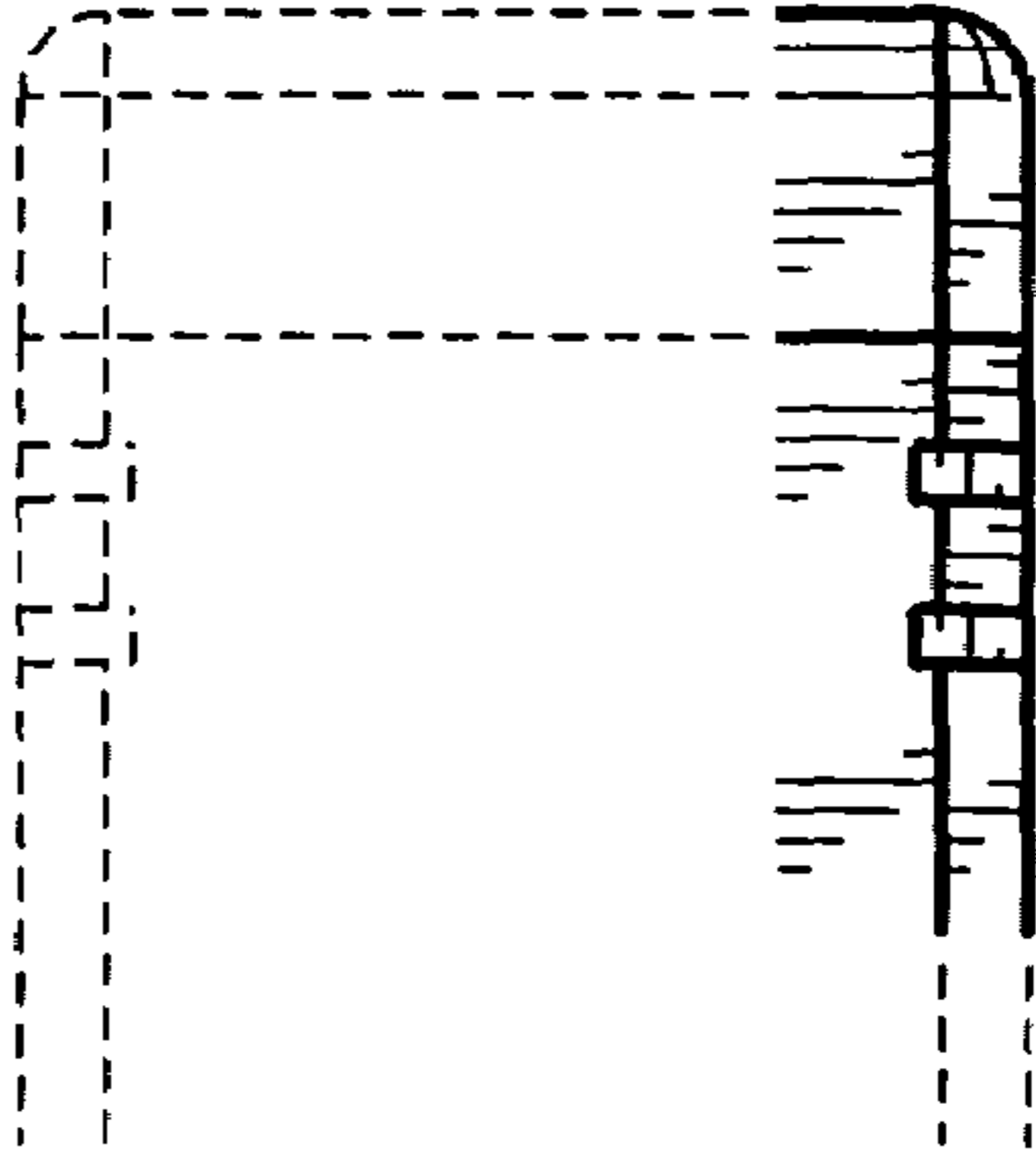


FIG. 3

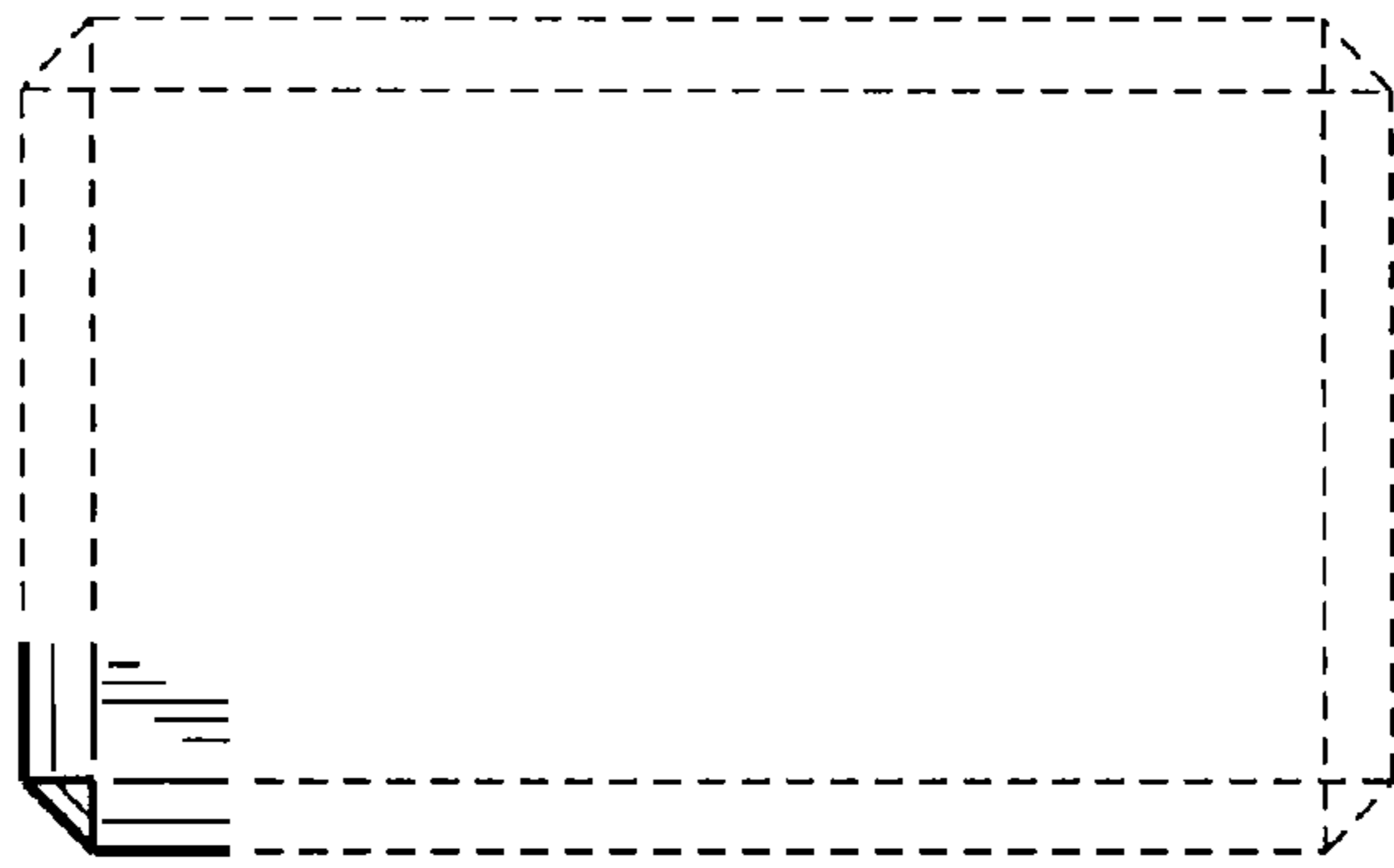


FIG. 4

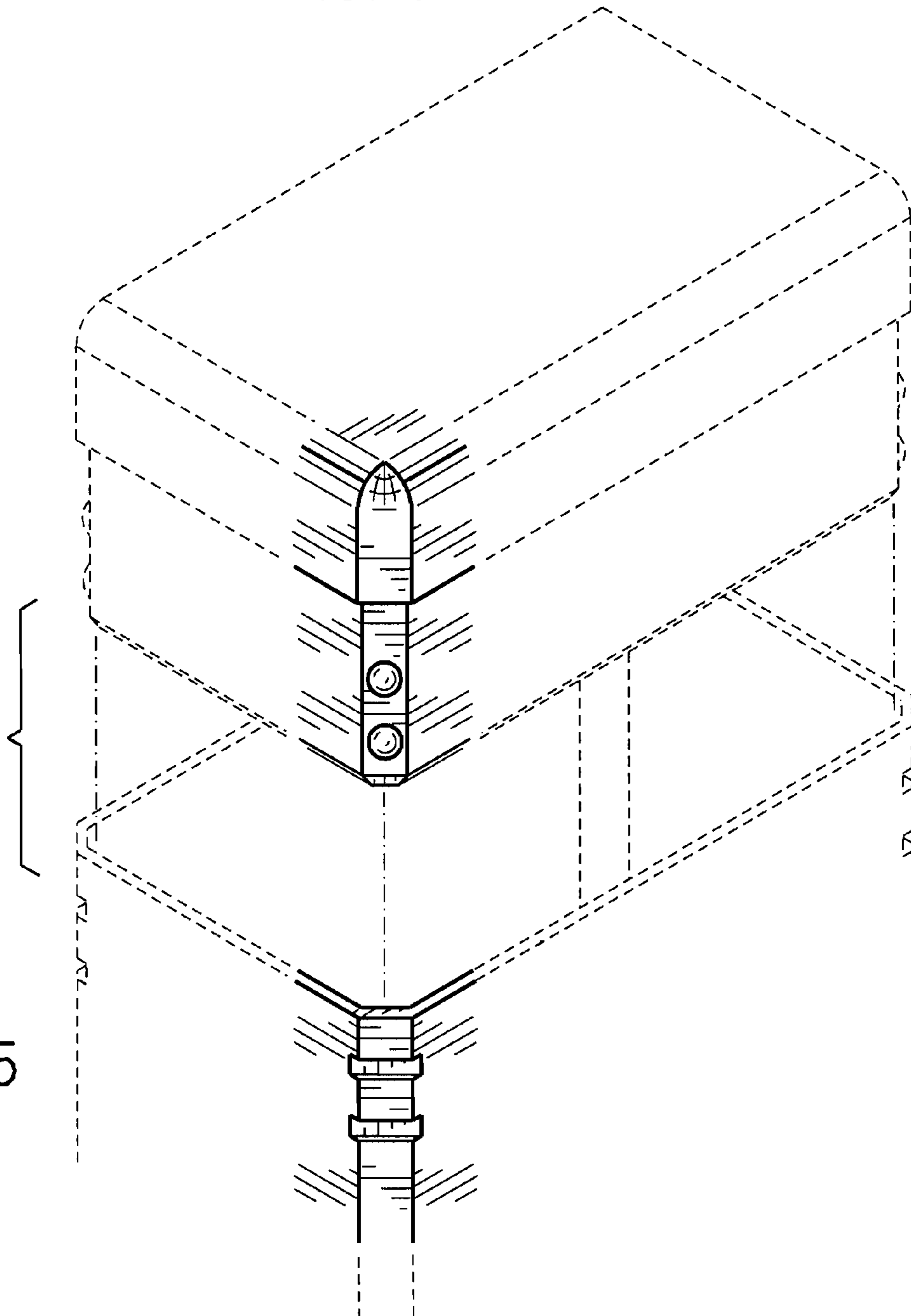


FIG. 5

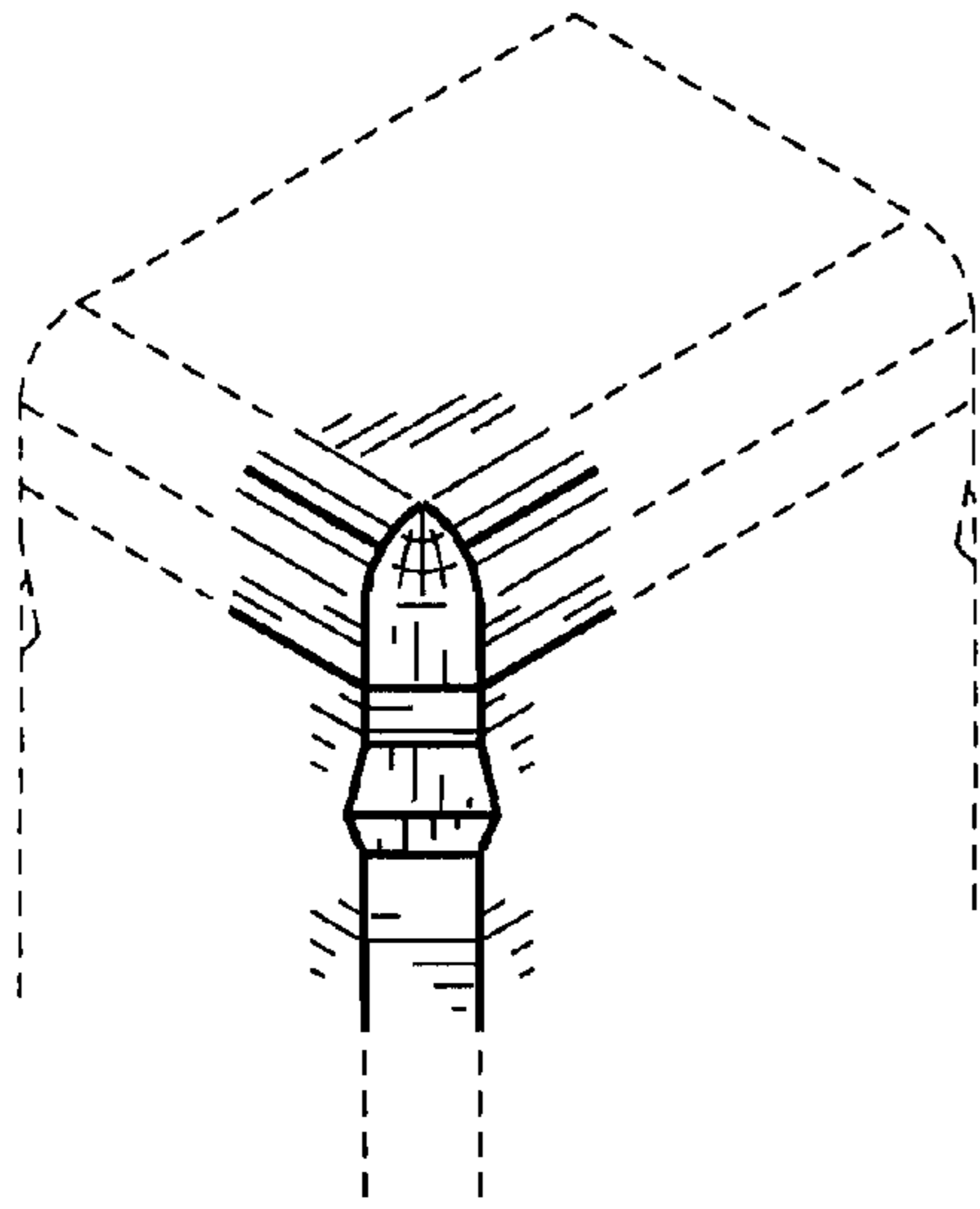


FIG. 6

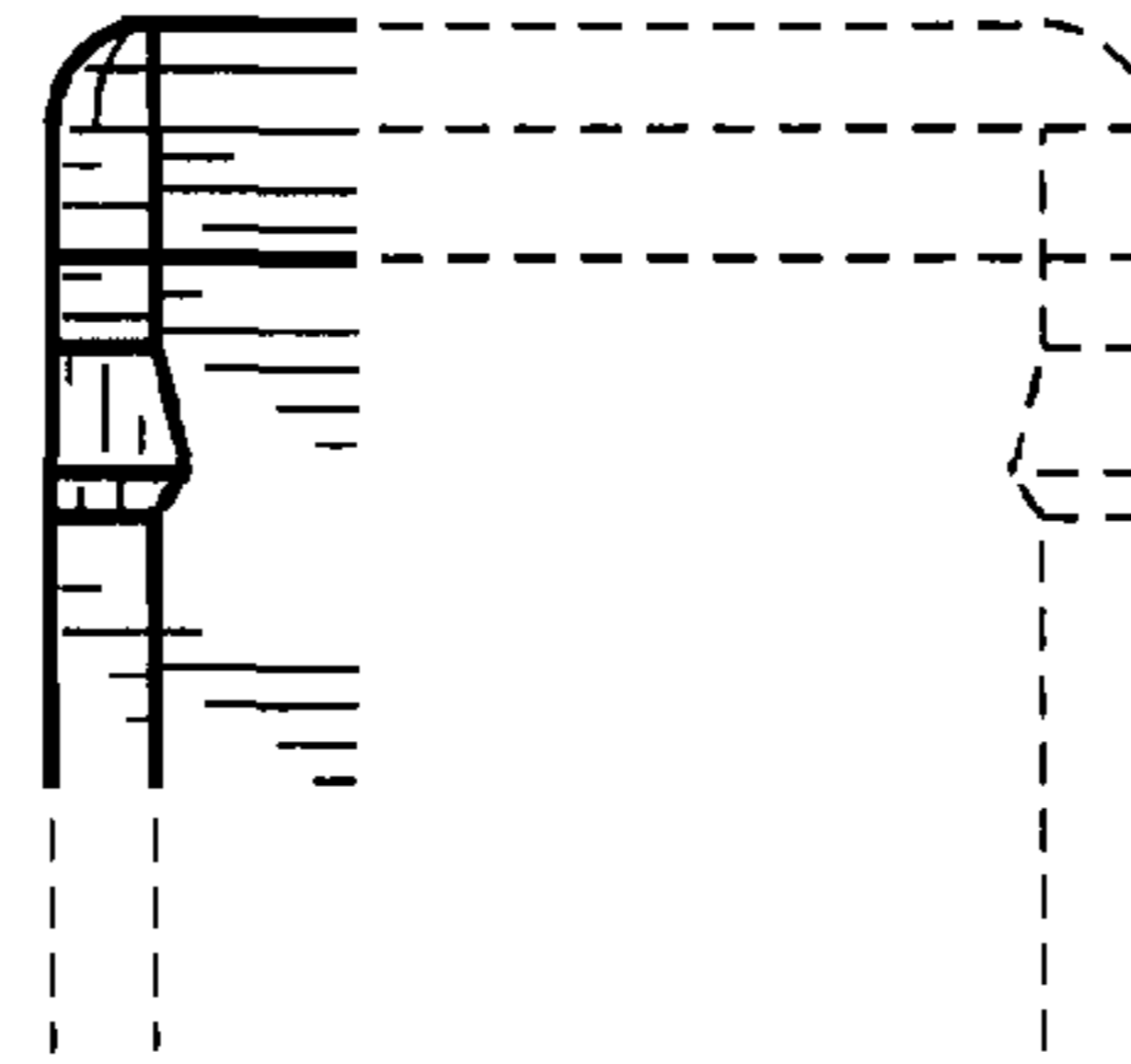


FIG. 7

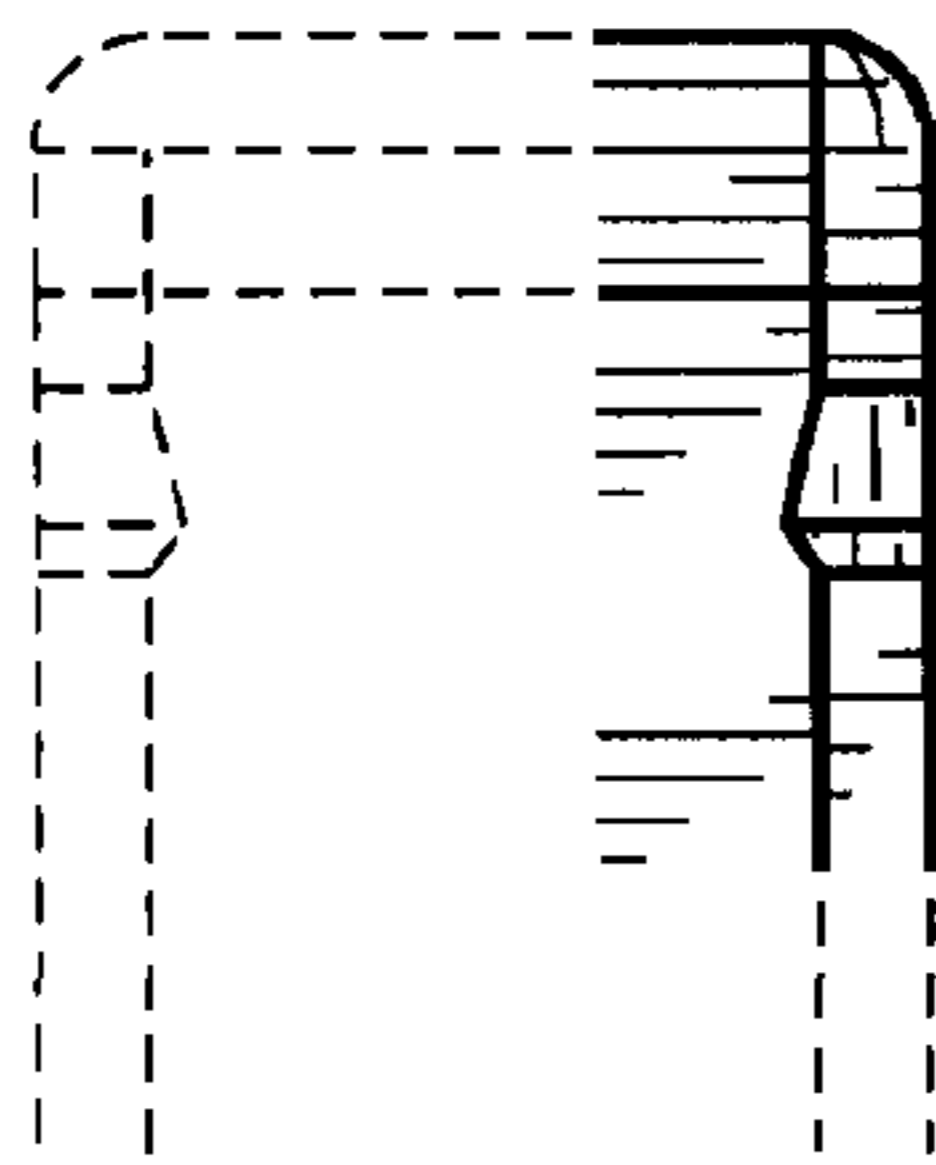


FIG. 8

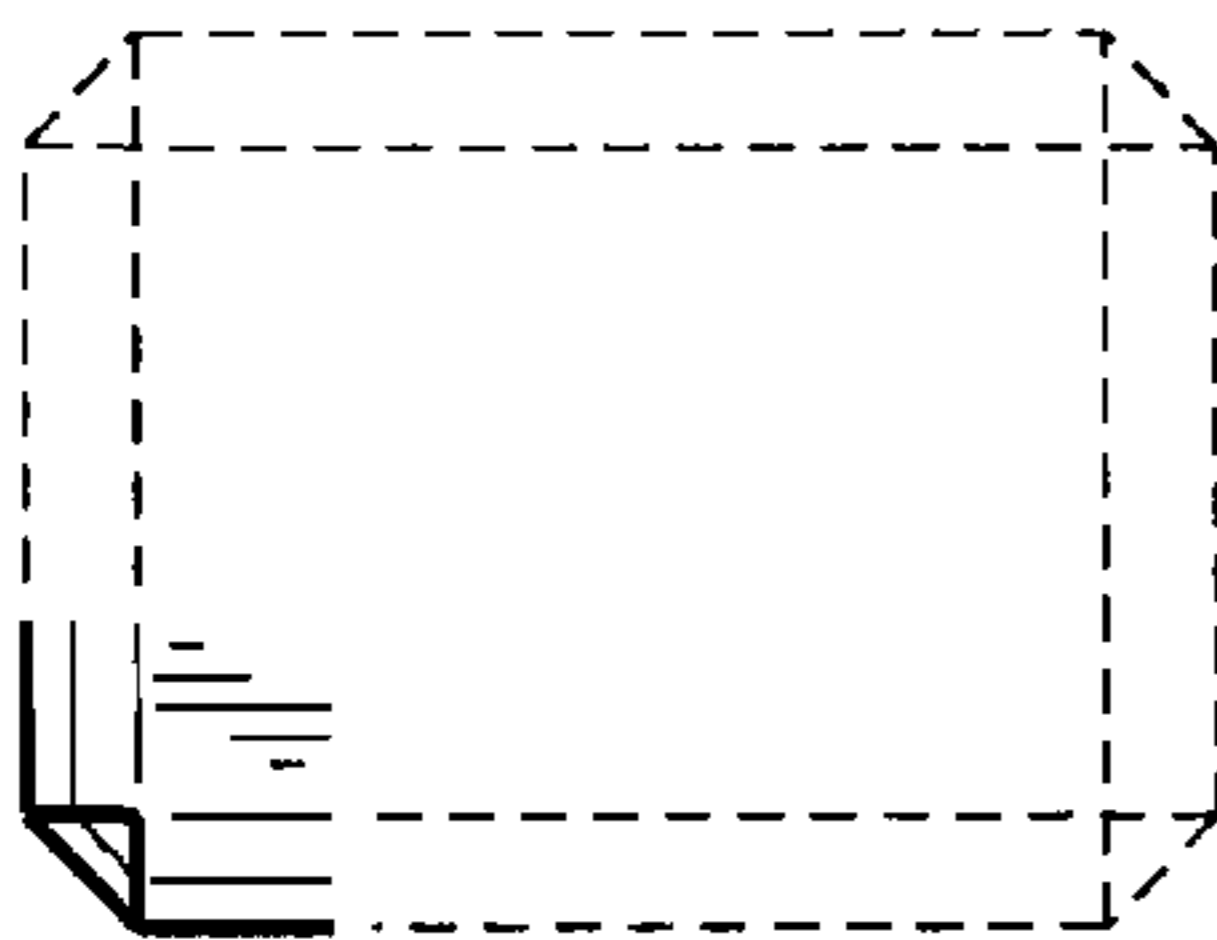


FIG. 9

FIG. 10

