



US00D566388S

(12) **United States Design Patent**  
**Nevins**

(10) **Patent No.:** **US D566,388 S**

(45) **Date of Patent:** **\*\* Apr. 15, 2008**

(54) **COSMETIC CONTAINER**

(75) Inventor: **James Nevins**, New York, NY (US)

(73) Assignee: **ELC Management LLC**, New York, NY (US)

(\*\*) Term: **14 Years**

(21) Appl. No.: **29/284,991**

(22) Filed: **Sep. 19, 2007**

(51) **LOC (8) Cl.** ..... **03-01**

(52) **U.S. Cl.** ..... **D3/264; D3/263**

(58) **Field of Classification Search** ..... D9/737-747,  
D9/763, 772, 781, 684, 686, 687, 680, 690,  
D9/694, 516, 529, 532, 533, 535, 536, 537,  
D9/539, 540, 542, 543, 549, 562, 572, 573,  
D9/574, 575, 434, 435, 906; 215/6, 10, 381-385,  
215/396, 398; D28/61, 66, 73, 76, 78, 79,  
D28/80, 82; D3/263, 264, 267; 206/5.1,  
206/344; 224/909; 134/201, 901

See application file for complete search history.

(56) **References Cited**

**U.S. PATENT DOCUMENTS**

D52,821	S	*	12/1918	Gallaher	.....	D9/740
1,290,965	A		1/1919	Gallaher		
D103,887	S	*	3/1937	Conner	.....	D9/740
2,948,387	A		8/1960	Fishman		
3,326,258	A		6/1967	Singleton		
D208,166	S	*	7/1967	Hueber	.....	D3/264
D227,551	S	*	7/1973	Crutchfield	.....	D9/740
D275,367	S	*	9/1984	Holewinski	.....	D24/226
D275,861	S	*	10/1984	Barber	.....	D15/138
D285,744	S	*	9/1986	Vinot	.....	D3/264
D305,832	S	*	2/1990	Pence	.....	D3/270
5,127,126	A		7/1992	Tanaka et al.		
5,224,593	A	*	7/1993	Bennett	.....	206/5.1
5,280,834	A	*	1/1994	Berkley	.....	206/5.1
D354,678	S	*	1/1995	Dalbo	.....	D9/740
5,415,275	A	*	5/1995	Girimont	.....	206/5.1
6,056,114	A		5/2000	Muller-Lierheim		
6,086,823	A		7/2000	Bourset		

D431,880	S	*	10/2000	Finocchiaro et al.	.....	D28/76
D437,659	S	*	2/2001	Henry	.....	D28/20
6,364,098	B2		4/2002	Yavitz		
D471,356	S	*	3/2003	Eaton	.....	D3/264
D498,590	S	*	11/2004	Borovsky	.....	D3/264
6,868,963	B2		3/2005	Borovsky		
D551,448	S	*	9/2007	Stull	.....	D3/264
2002/0069896	A1	*	6/2002	Pankow	.....	134/6
2005/0022846	A1	*	2/2005	Graham	.....	134/22.1

**FOREIGN PATENT DOCUMENTS**

EP 0049767 4/1982

**OTHER PUBLICATIONS**

[http://www.bizrate.com/visiocare/products\\_keyword--lens+case+or+contact+case+or+contact+lens+case...](http://www.bizrate.com/visiocare/products_keyword--lens+case+or+contact+case+or+contact+lens+case...), BizRate Shopping Search, Health & Beauty Supplies, Jul. 19, 2007 (1-10 pages).

\* cited by examiner

*Primary Examiner*—Stella M. Reid

*Assistant Examiner*—Elizabeth J Oswecki

(74) *Attorney, Agent, or Firm*—Cynthia R. Miller

(57) **CLAIM**

The ornamental design for a cosmetic container, substantially as shown and described.

**DESCRIPTION**

FIG. 1 is a top, front, right side perspective view of a cosmetic container, Showing my new design;

FIG. 2 is a bottom, front, right side perspective view thereof;

FIG. 3 is a front elevational view thereof, a rear elevational view being a mirror image thereof;

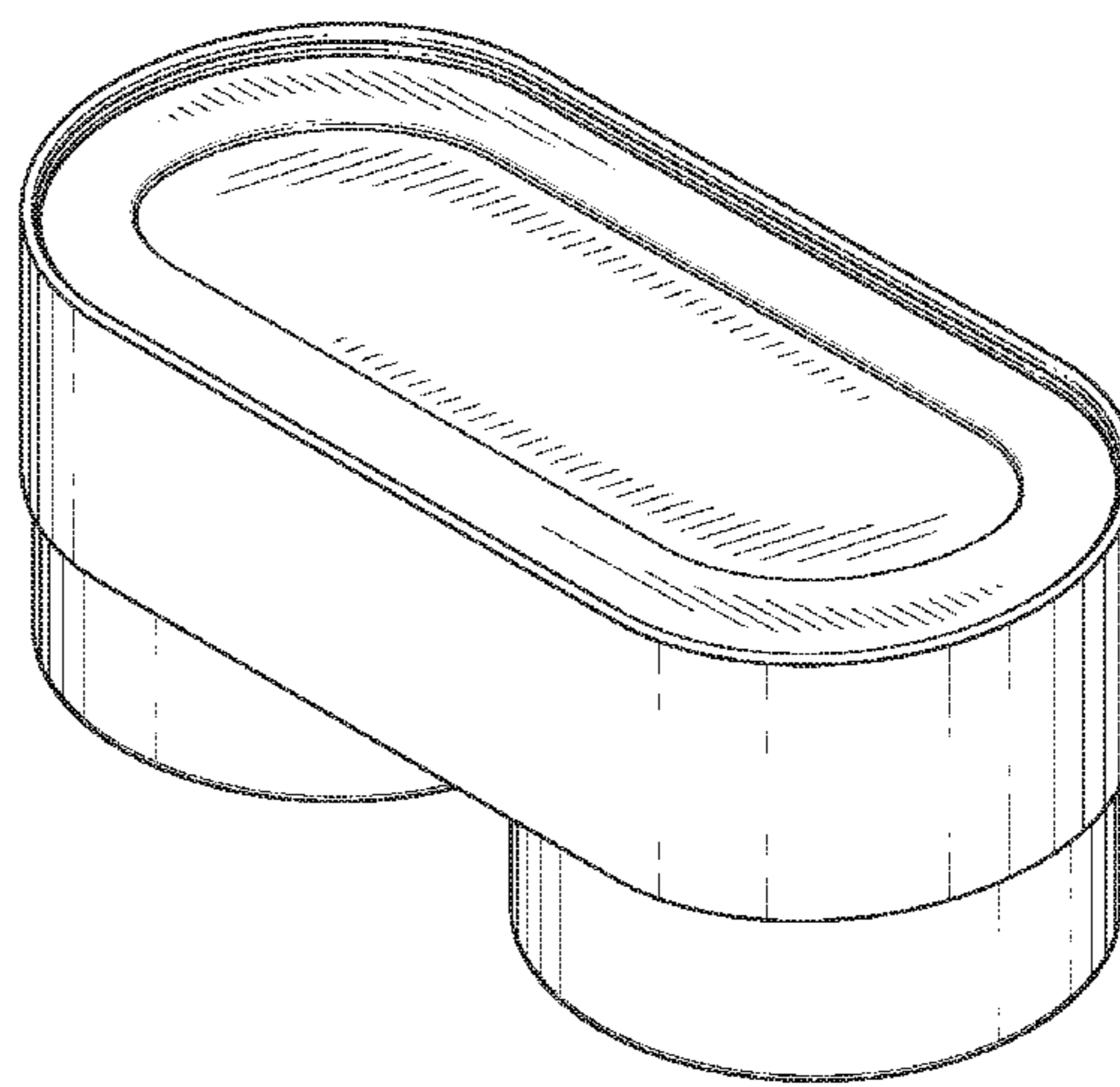
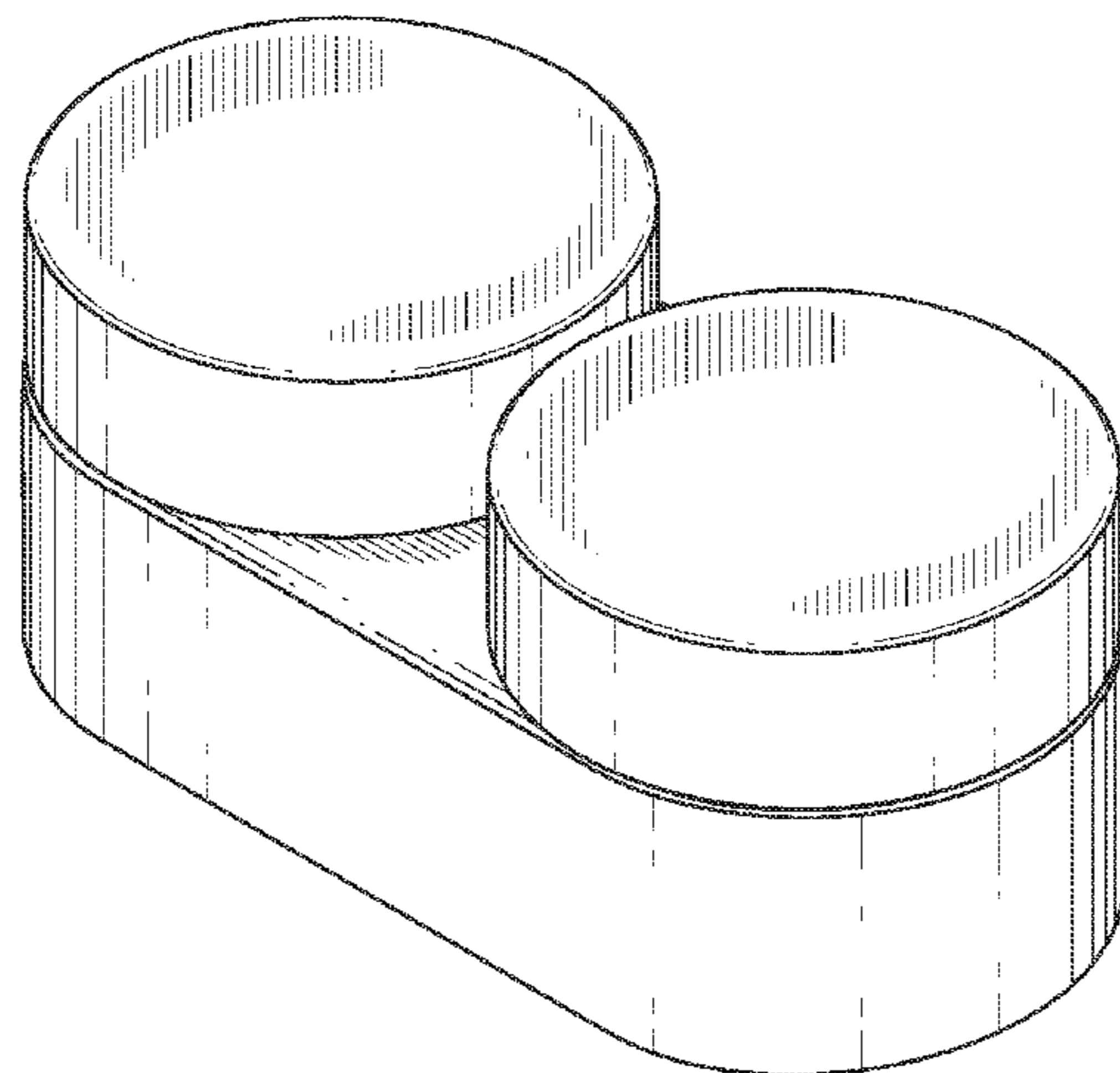
FIG. 4 is a right side elevational view thereof, a left side elevational view being a mirror image thereof;

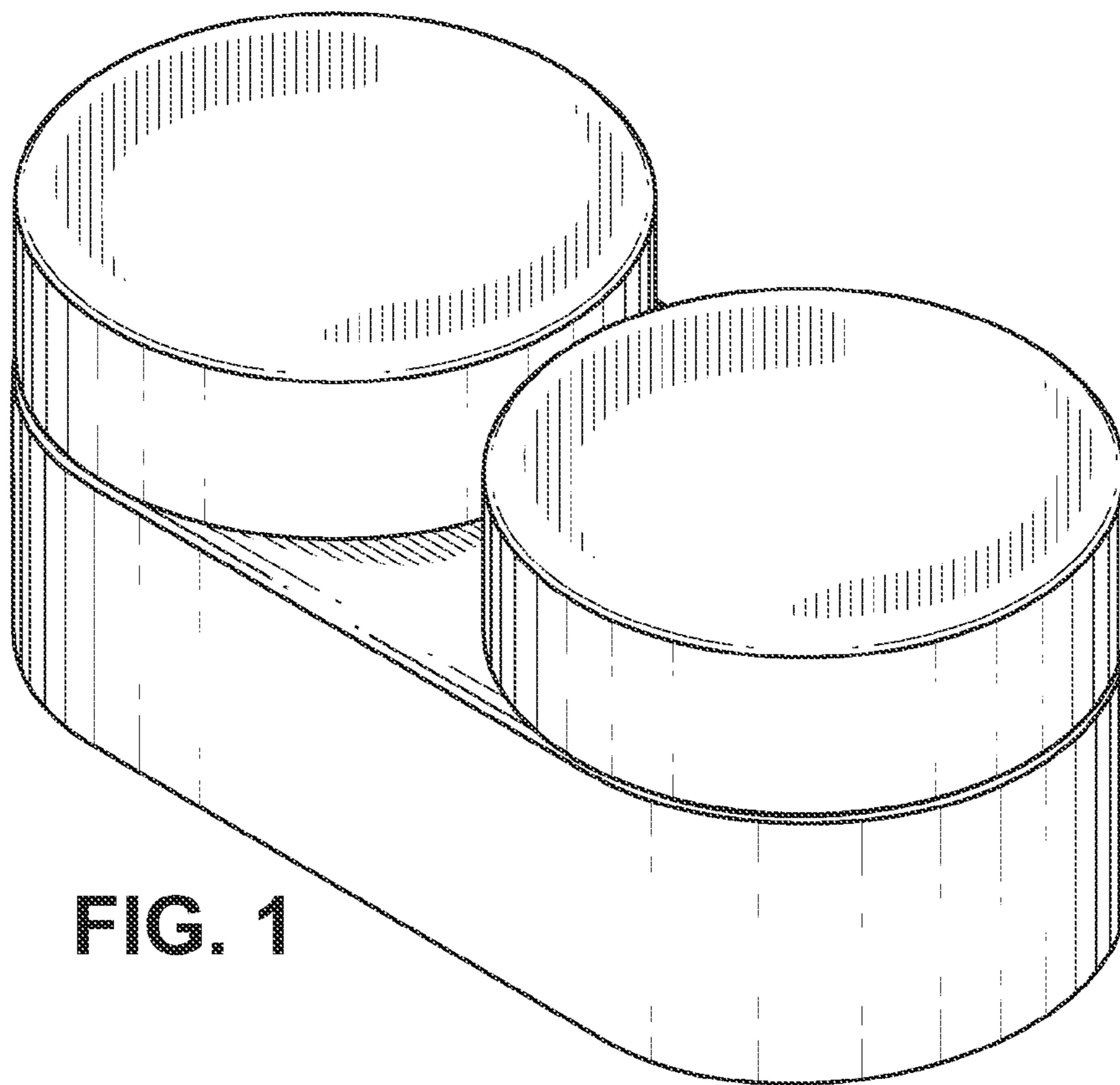
FIG. 5 is a top plan view thereof;

FIG. 6 is a bottom plan view thereof; and,

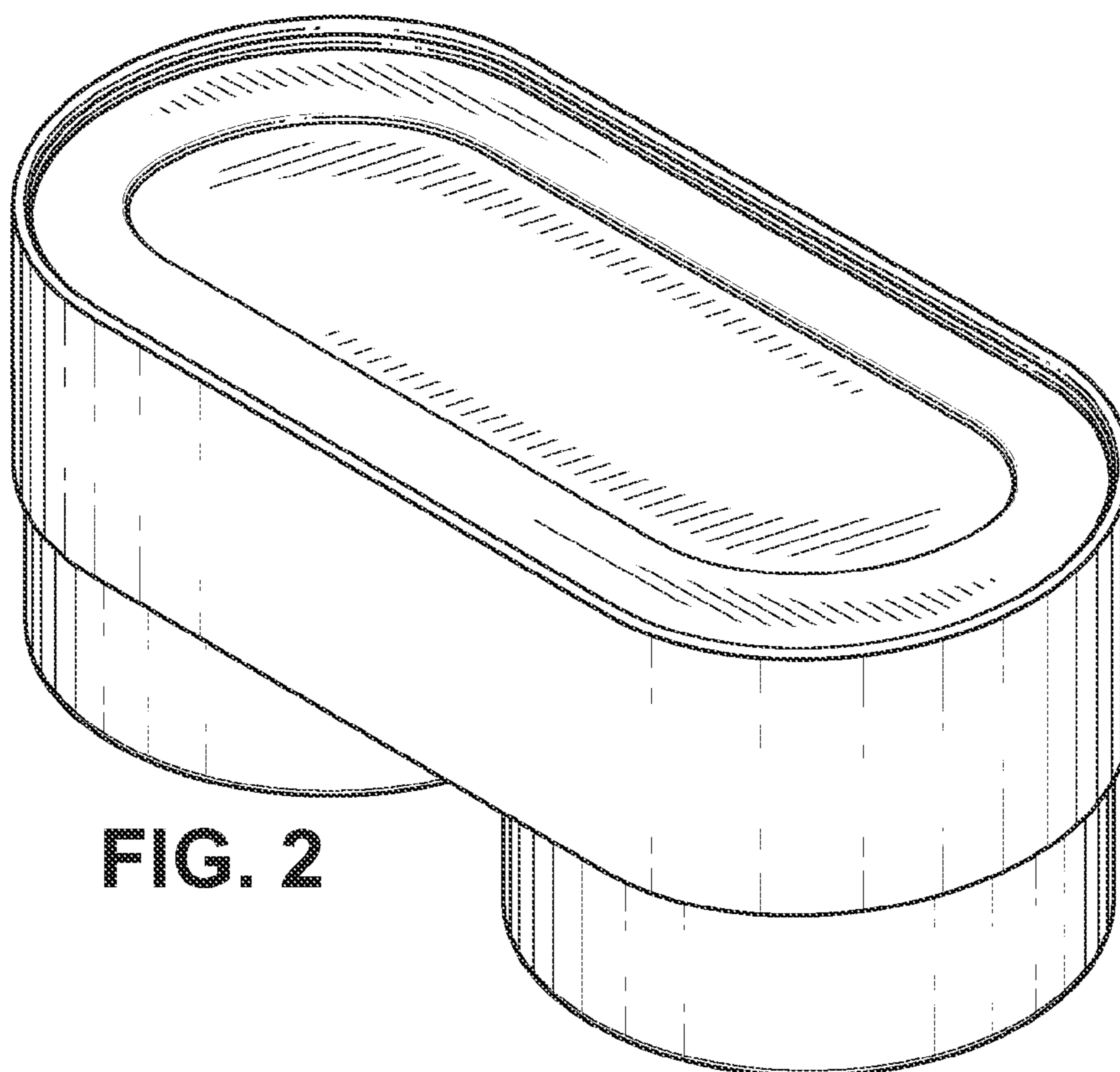
FIG. 7 is an exploded top, front, right side perspective view thereof.

**1 Claim, 4 Drawing Sheets**

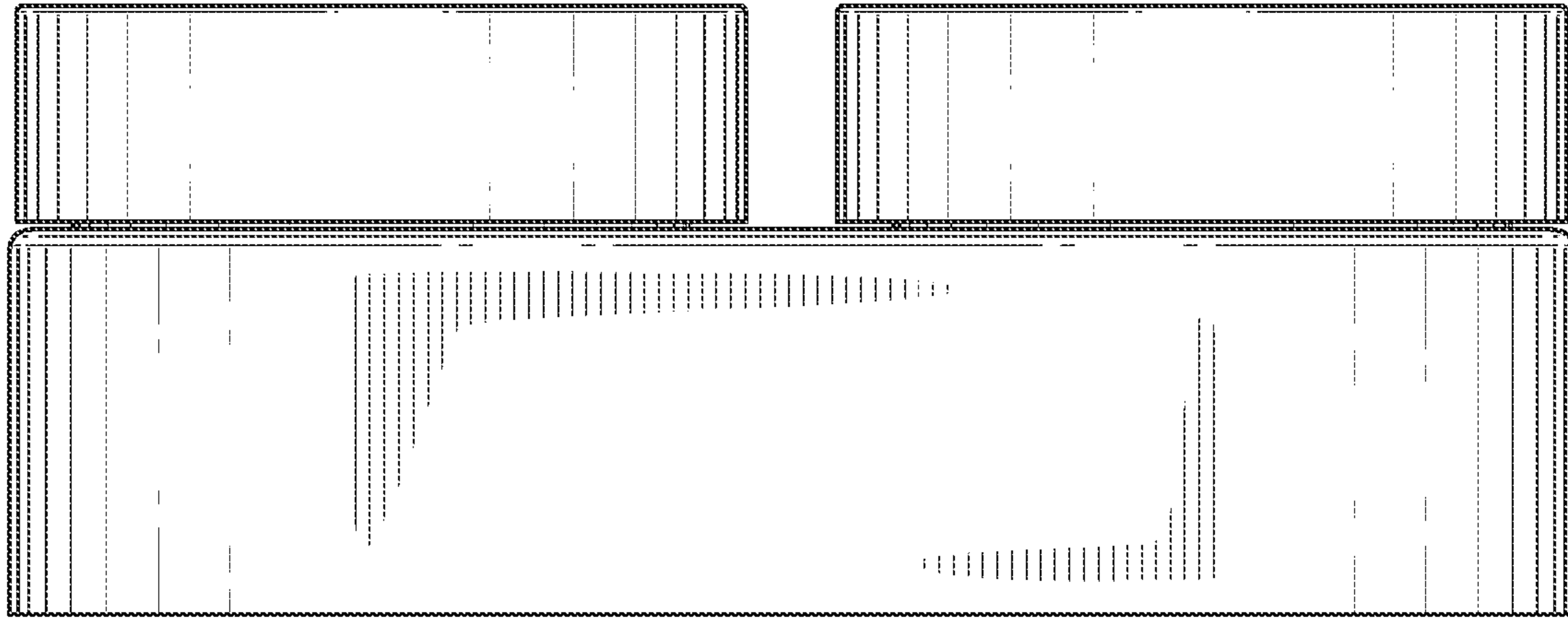




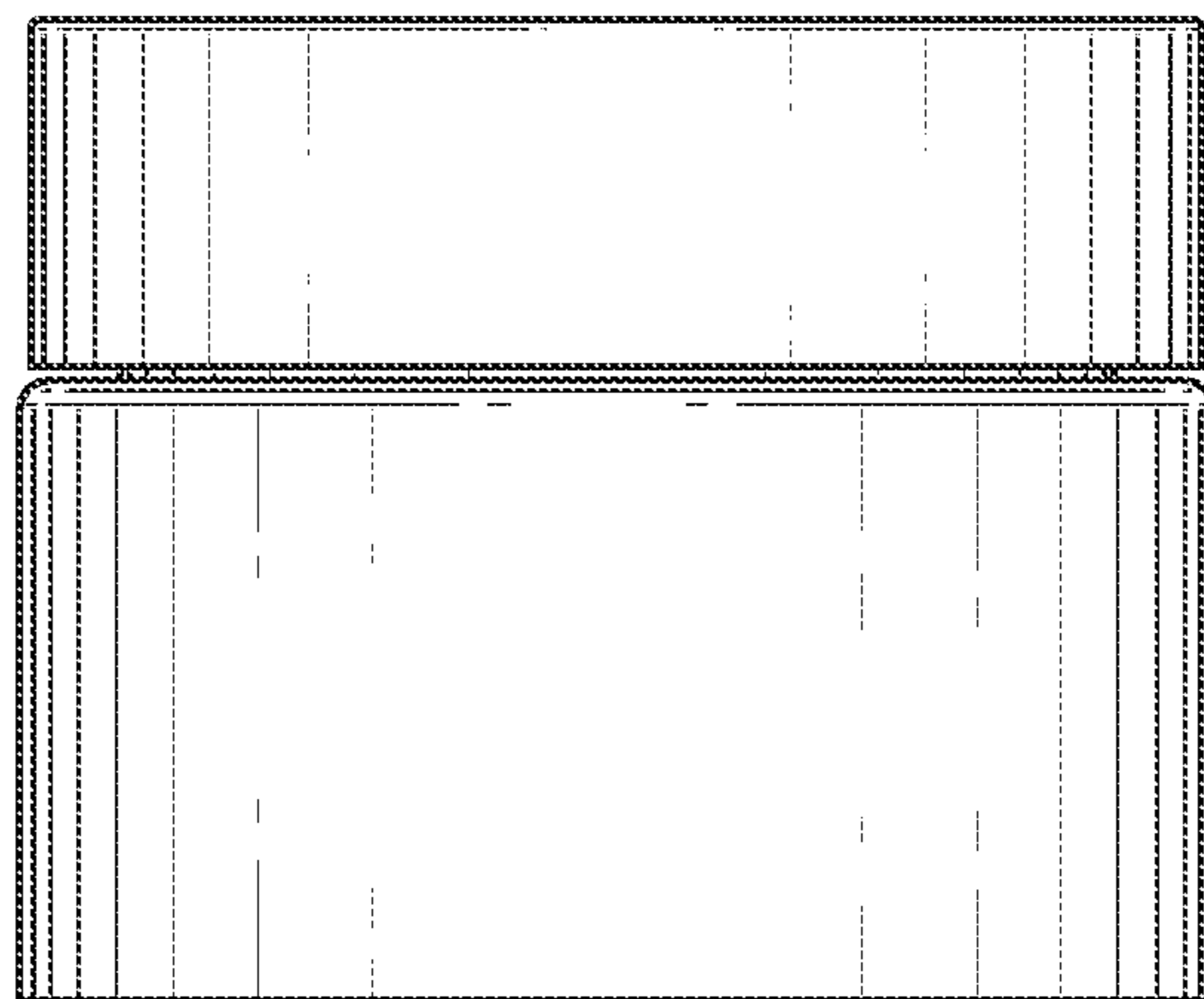
**FIG. 1**



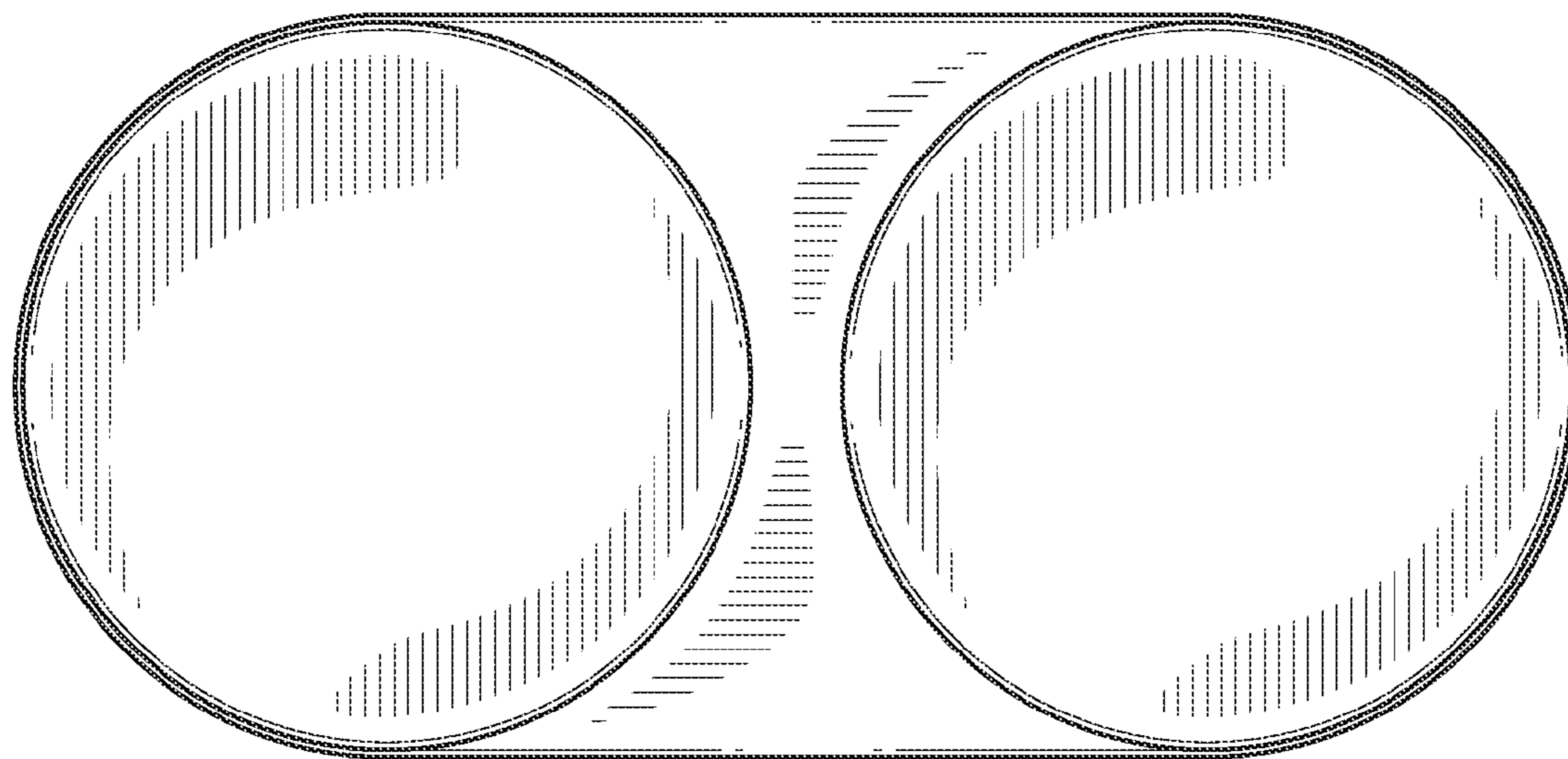
**FIG. 2**



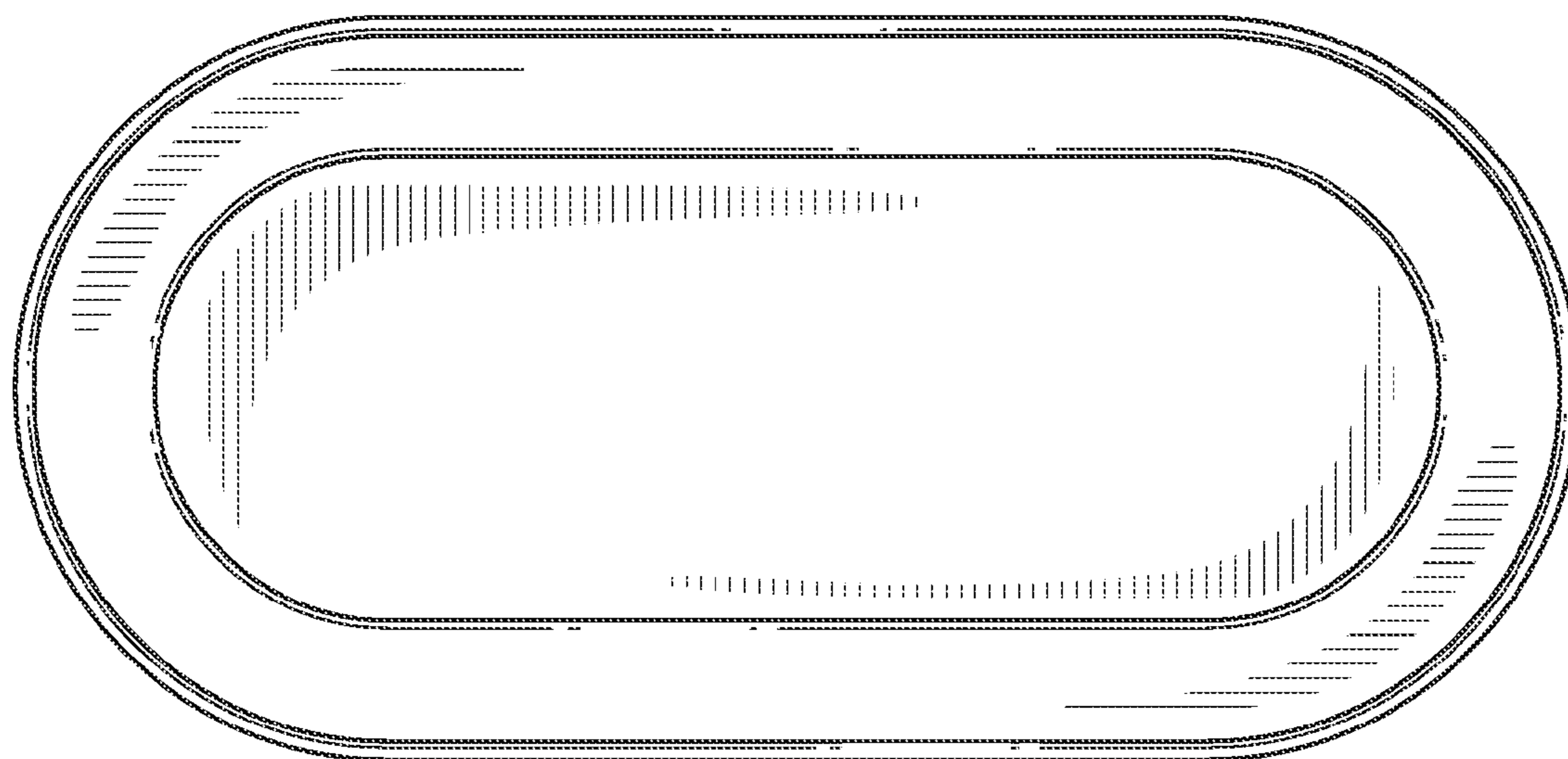
**FIG. 3**



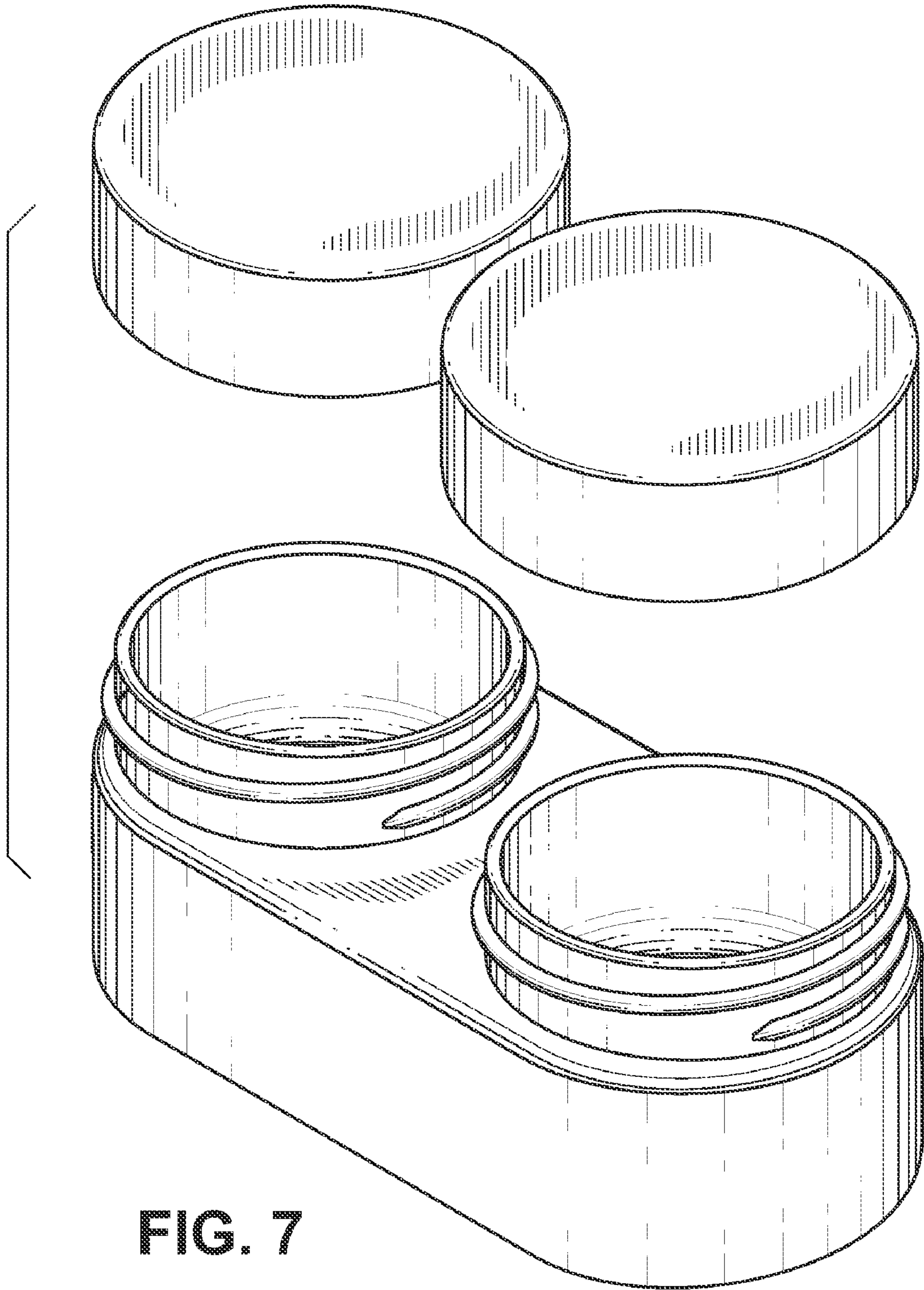
**FIG. 4**



**FIG. 5**



**FIG. 6**



**FIG. 7**