



US00D566387S

(12) **United States Design Patent**  
**Seaborn**

(10) **Patent No.:** **US D566,387 S**

(45) **Date of Patent:** **\*\* Apr. 15, 2008**

(54) **TARGET CARRYING CASE**

(76) **Inventor:** **W. John Seaborn**, 5560 Boulder Hills Dr., Longmont, CO (US) 80503

(\*\*) **Term:** **14 Years**

(21) **Appl. No.:** **29/283,693**

(22) **Filed:** **Aug. 21, 2007**

(51) **LOC (8) Cl.** ..... **03-01**

(52) **U.S. Cl.** ..... **D3/254**

(58) **Field of Classification Search** ..... D3/254,  
D3/261, 272, 273, 282, 270, 321, 322, 269,  
D3/289, 202; 206/315.1, 315.9, 459.5; 224/917,  
224/579, 278, 305, 349; 190/124, 100, 109-111;  
D9/416, 414, 432

See application file for complete search history.

(56) **References Cited**

**U.S. PATENT DOCUMENTS**

D362,543 S \* 9/1995 Vincent ..... D3/254  
D474,018 S \* 5/2003 Nally ..... D3/254

D503,087 S \* 3/2005 Dzwil et al. .... D9/416  
2001/0002653 A1\* 6/2001 Ohno et al. .... 206/315.1

\* cited by examiner

*Primary Examiner*—Catherine R. Oliver

(74) *Attorney, Agent, or Firm*—Cahill, von Hellens & Glazer PLC

(57) **CLAIM**

An ornamental design for a target carrying case, as shown and described.

**DESCRIPTION**

FIG. 1 is front, top left side isometric view of my target carrying case showing my design;

FIG. 2 is a top plan view thereof;

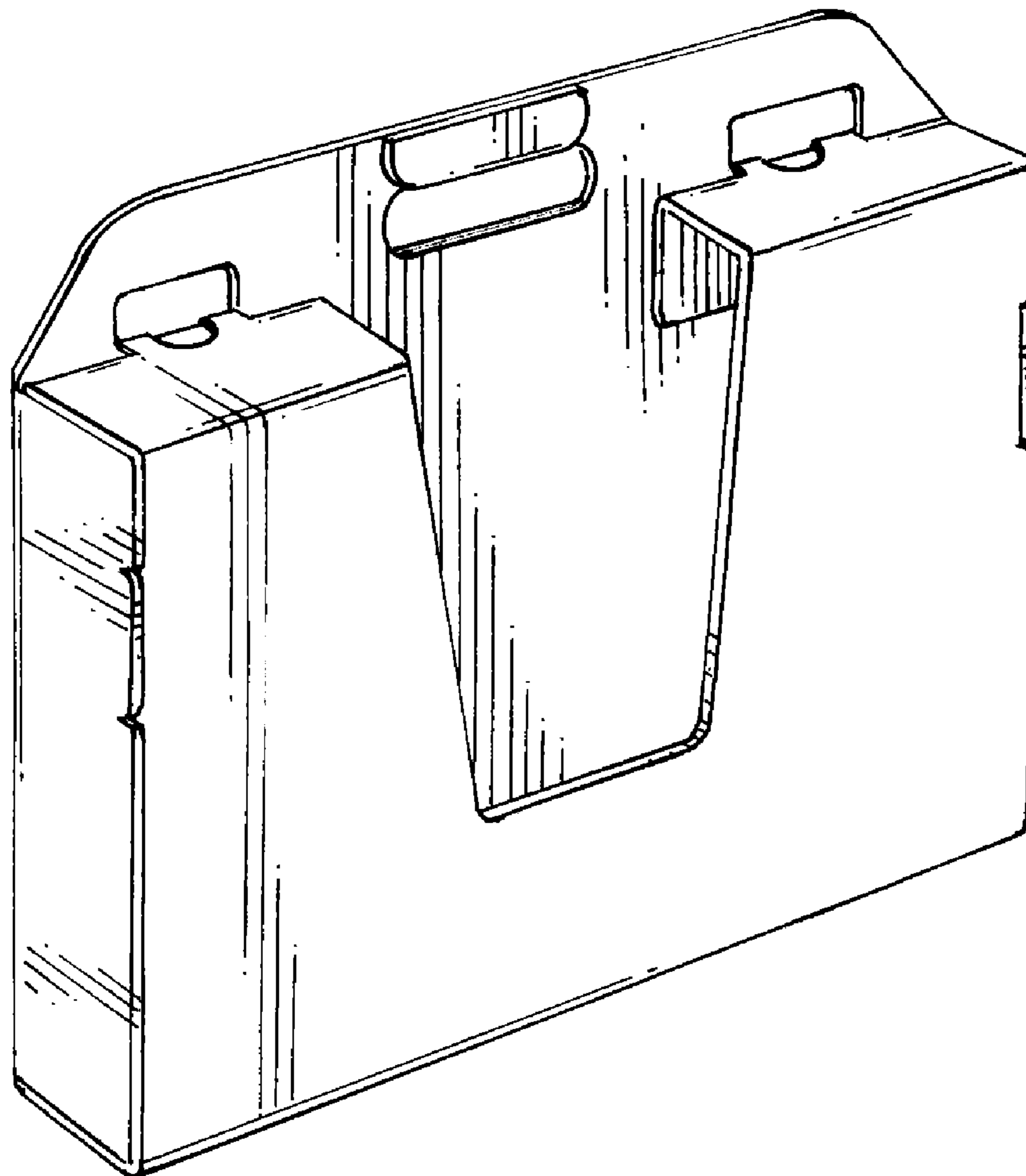
FIG. 3 is a rear elevational view thereof;

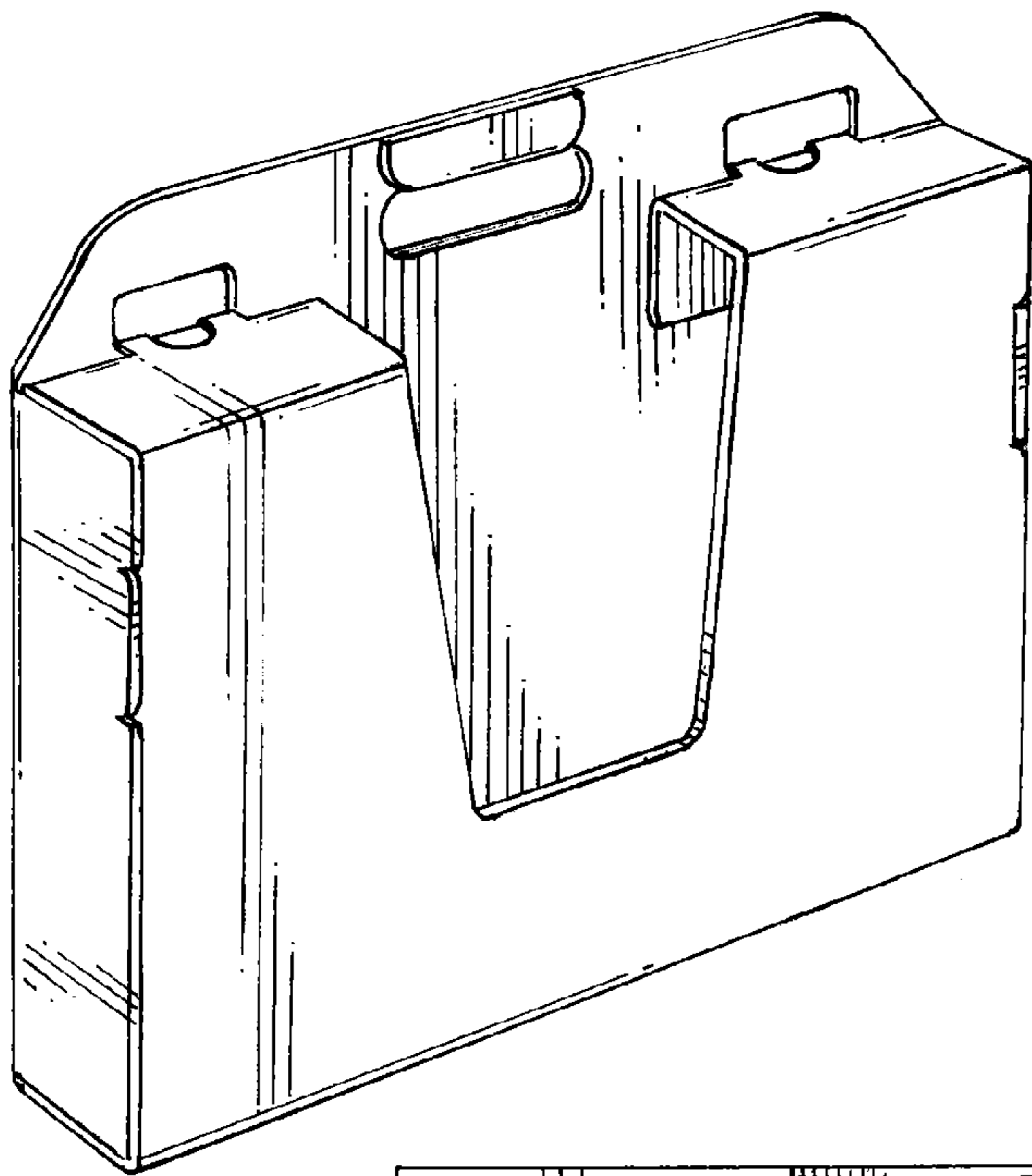
FIG. 4 is a right side elevational view thereof;

FIG. 5 is a bottom plan view thereof; and,

FIG. 6 is a front elevational view thereof.

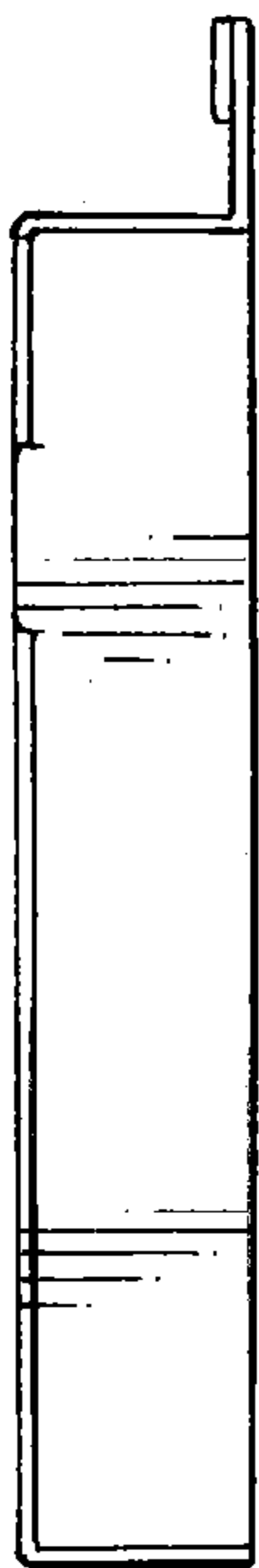
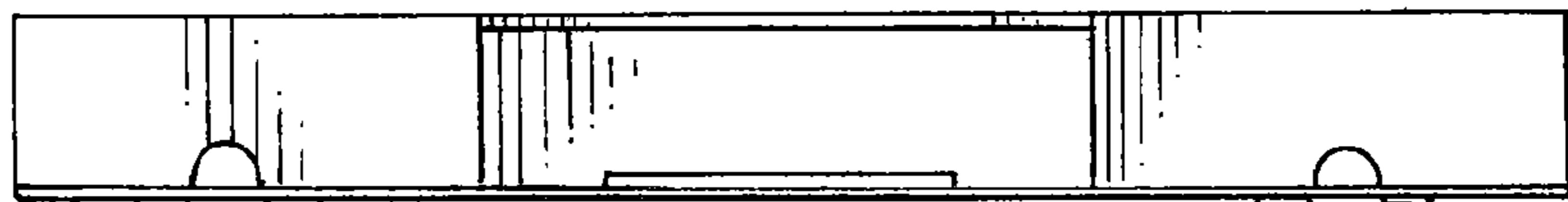
**1 Claim, 2 Drawing Sheets**



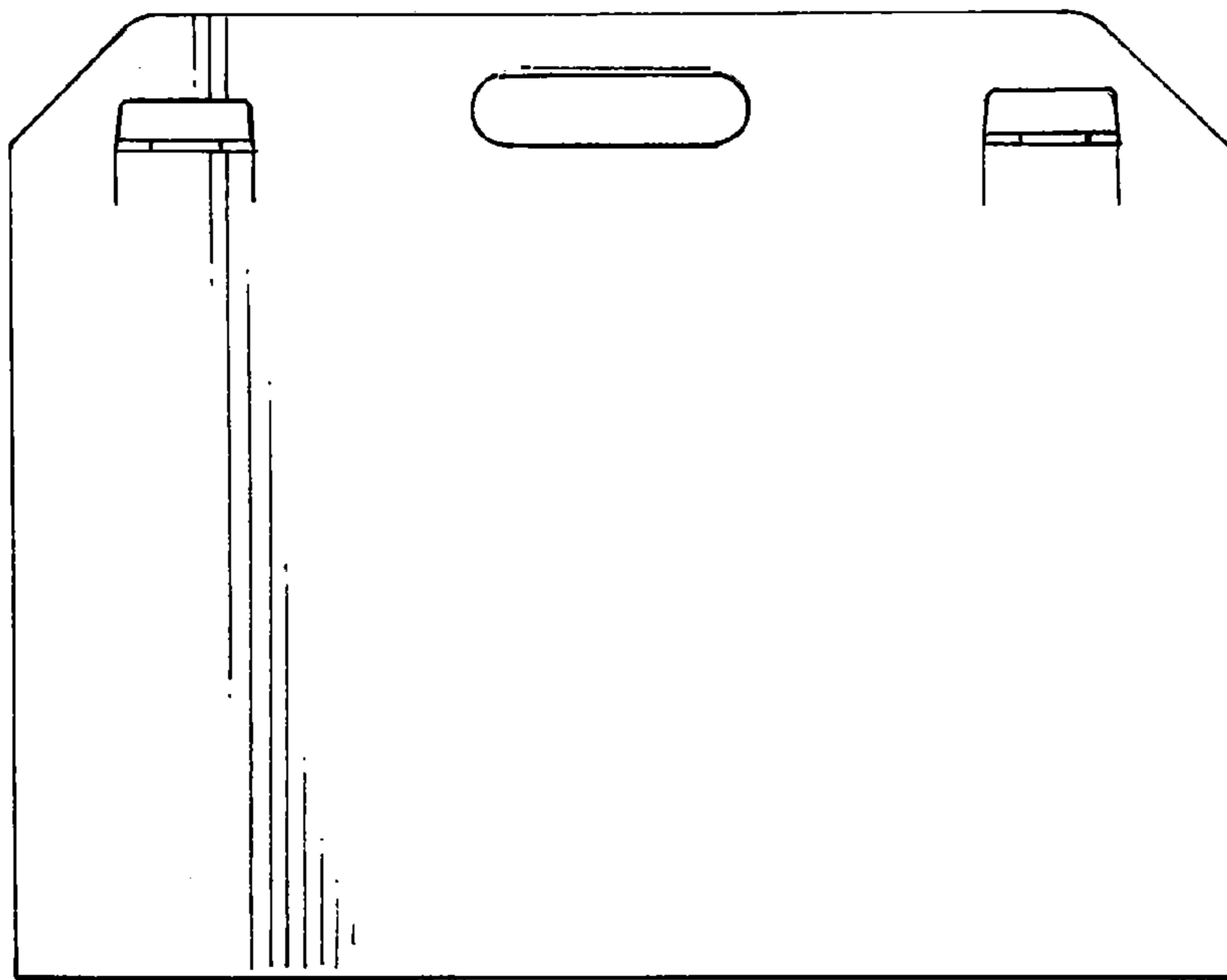


*Fig. 1*

*Fig. 2*

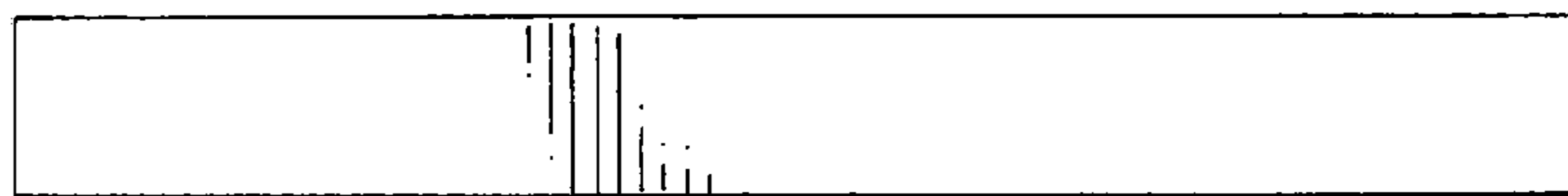


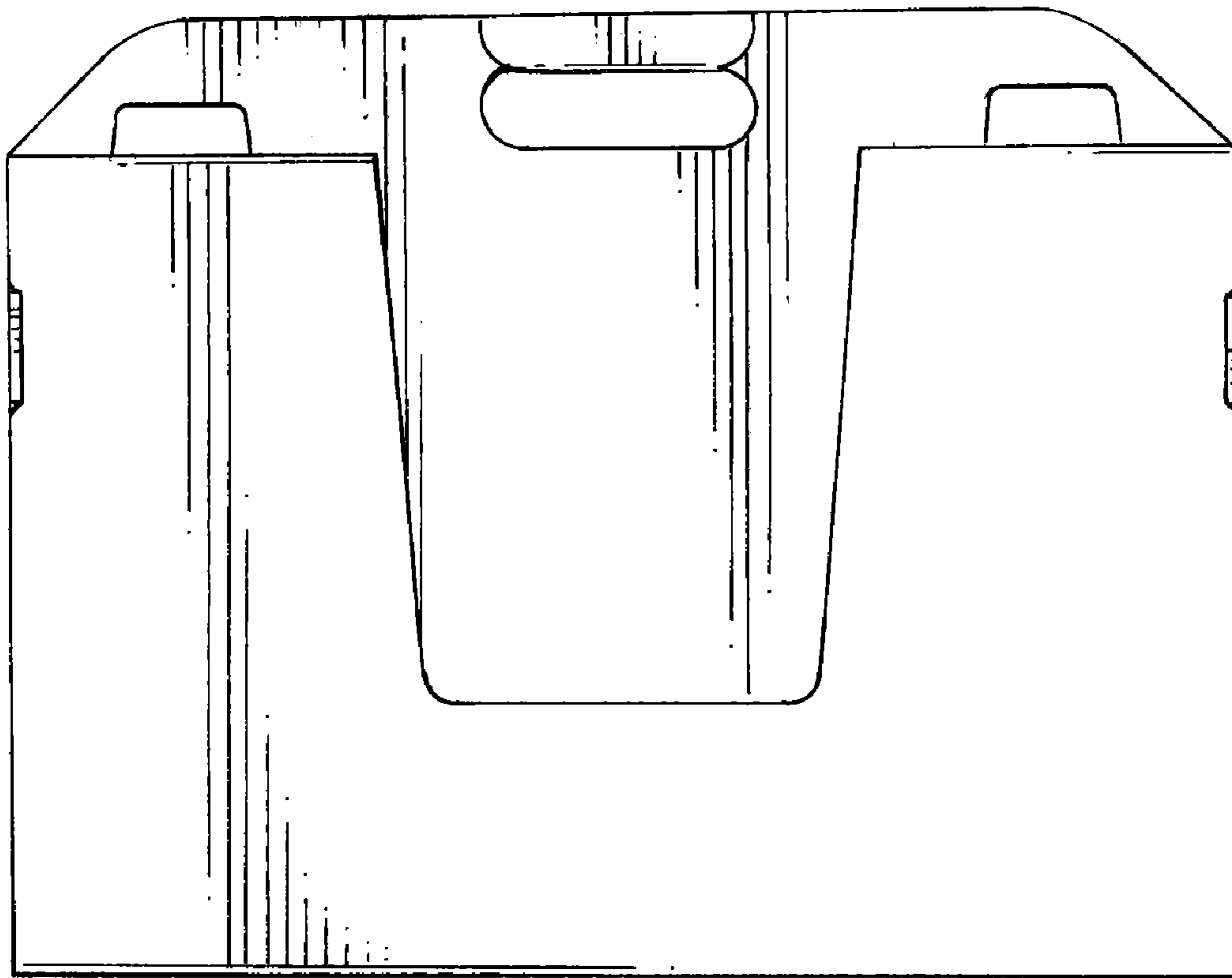
*Fig. 4*



*Fig. 3*

*Fig. 5*





*Fig. 6*