

US00D566384S

(12) **United States Design Patent**  
**Yanz et al.**

(10) **Patent No.:** **US D566,384 S**

(45) **Date of Patent:** **\*\* Apr. 15, 2008**

(54) **SEASONAL CARRY BAG**

D429,883 S \* 8/2000 Roonan et al. .... D3/273

(75) Inventors: **Lisa Yanz**, Chicago, IL (US); **Sona Patadia**, Chicago, IL (US)

\* cited by examiner

*Primary Examiner*—Joel A. Sincavage

*Assistant Examiner*—Michelle E Wilson

(73) Assignee: **Medela Holding AG** (CH)

(74) *Attorney, Agent, or Firm*—McDonnell Boehnen Hulbert & Berghoff LLP

(\*\*) Term: **14 Years**

(21) Appl. No.: **29/259,315**

(57) **CLAIM**

(22) Filed: **May 5, 2006**

The ornamental design for a seasonal carry bag, as shown and described.

(51) **LOC (8) Cl.** ..... **03-01**

(52) **U.S. Cl.** ..... **D3/232**

(58) **Field of Classification Search** ..... D3/201,  
D3/205, 230, 231, 233, 247, 251, 232, 234,  
D3/238, 240–246, 303, 318–326, 900, 902;  
150/100, 107–110, 118–120; 190/100, 108–112,  
190/115, 900, 902, 903

See application file for complete search history.

**DESCRIPTION**

FIG. 1 is a front perspective view of a carry bag showing our new design;

FIG. 2 is a front view of the carry bag of FIG. 1;

FIG. 3 is a rear view of the carry bag of FIG. 1;

FIG. 4 is a side view of the carry bag of FIG. 1;

FIG. 5 is a side view of the carry bag of FIG. 1;

FIG. 6 is a top view of the carry bag of FIG. 1;

FIG. 7 is a bottom view of the carry bag of FIG. 1;

FIG. 8 is a top plan view of the carry bag shown in an open position; and,

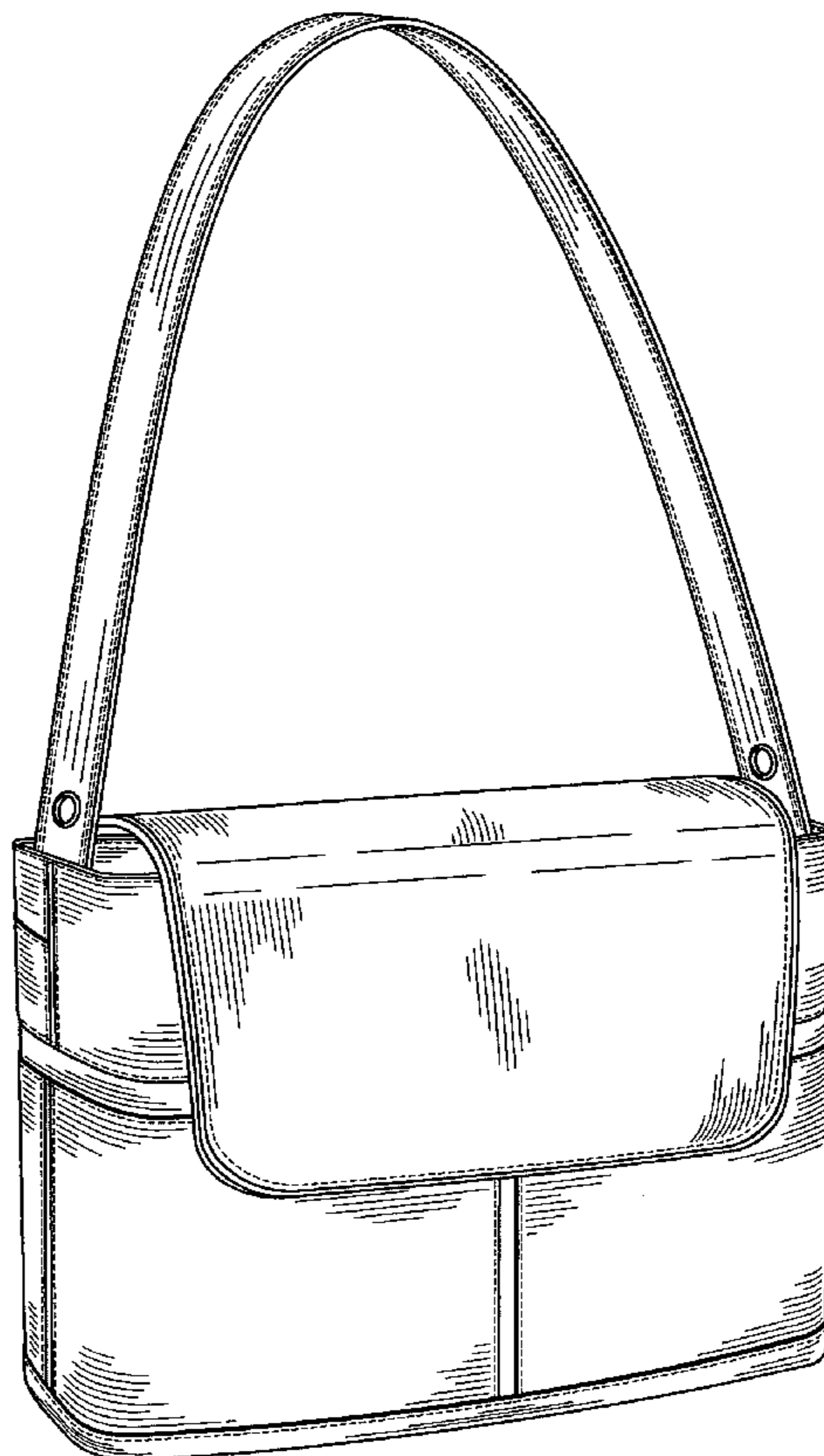
FIG. 9 is a top perspective view of the carry bag shown in an open position.

(56) **References Cited**

U.S. PATENT DOCUMENTS

D248,058 S *	5/1978	Siegel	.....	D3/243
D250,793 S *	1/1979	Siegel	.....	D3/243
4,140,164 A *	2/1979	Staup	.....	150/110
D260,053 S *	8/1981	Siegel	.....	D3/243
D268,304 S *	3/1983	Schimmel	.....	D3/233
D369,675 S *	5/1996	Gregg	.....	D3/233
D372,795 S *	8/1996	Swinford et al.	.....	D3/243

**1 Claim, 7 Drawing Sheets**



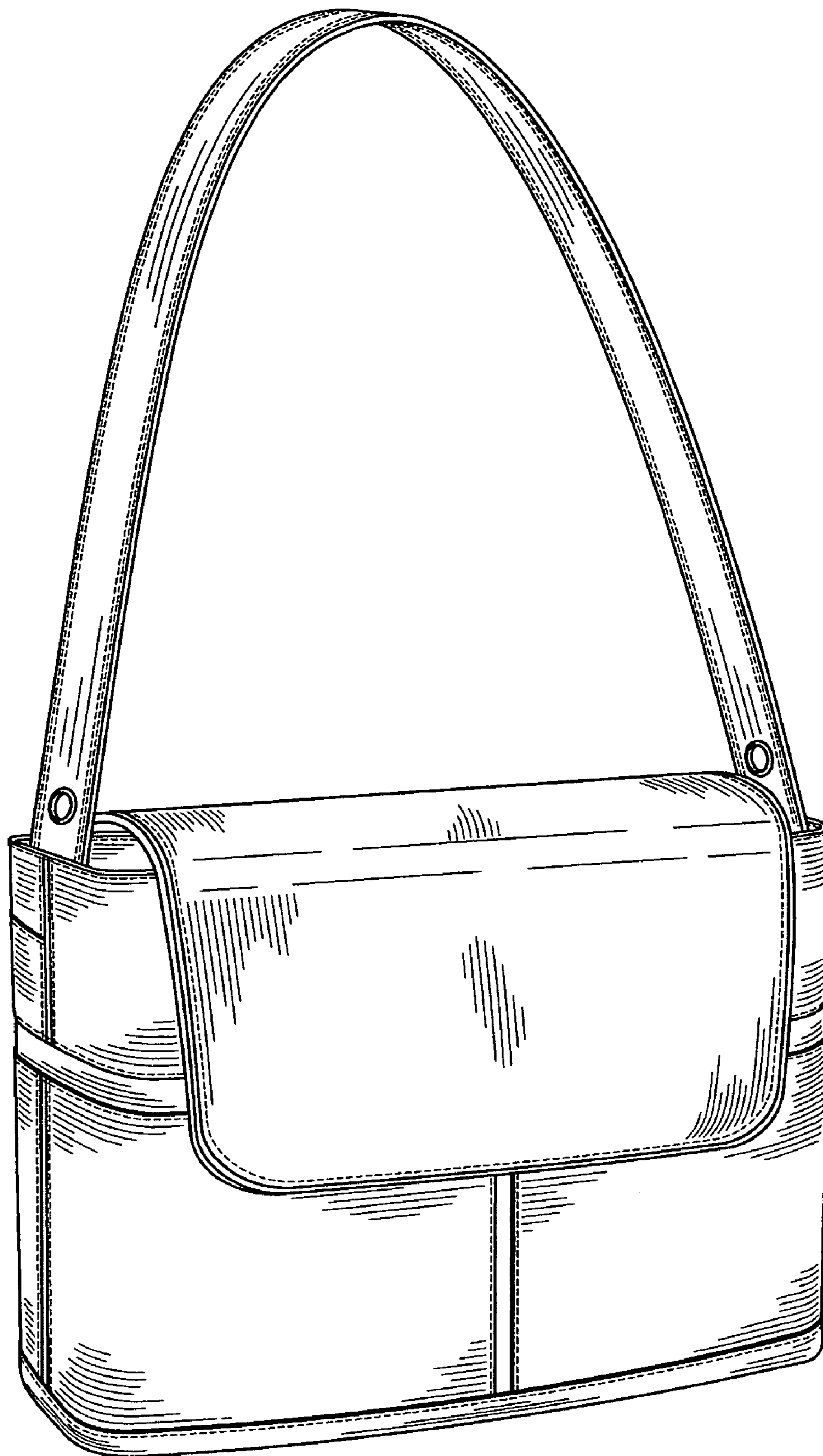


FIG. 1

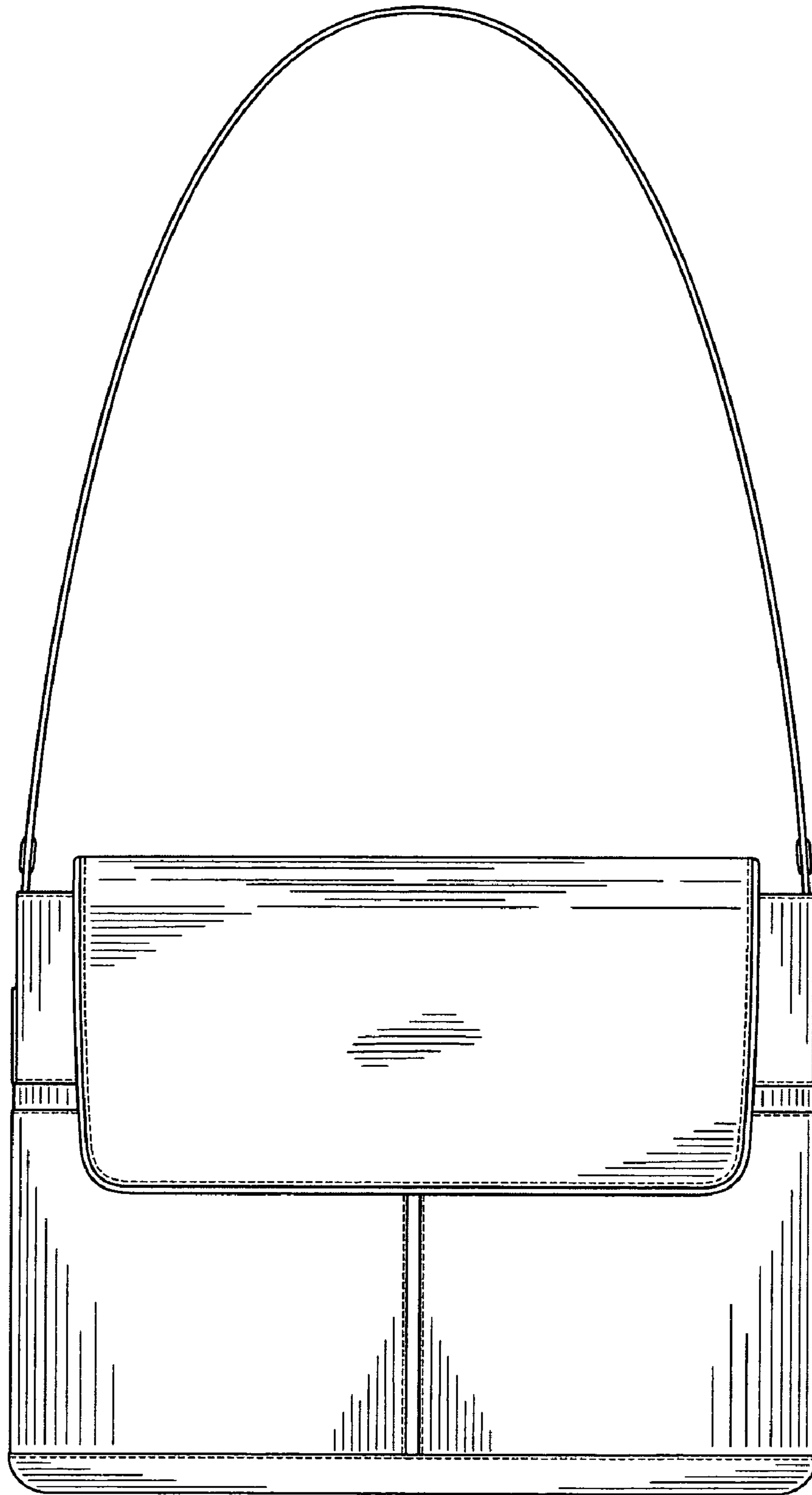


FIG. 2

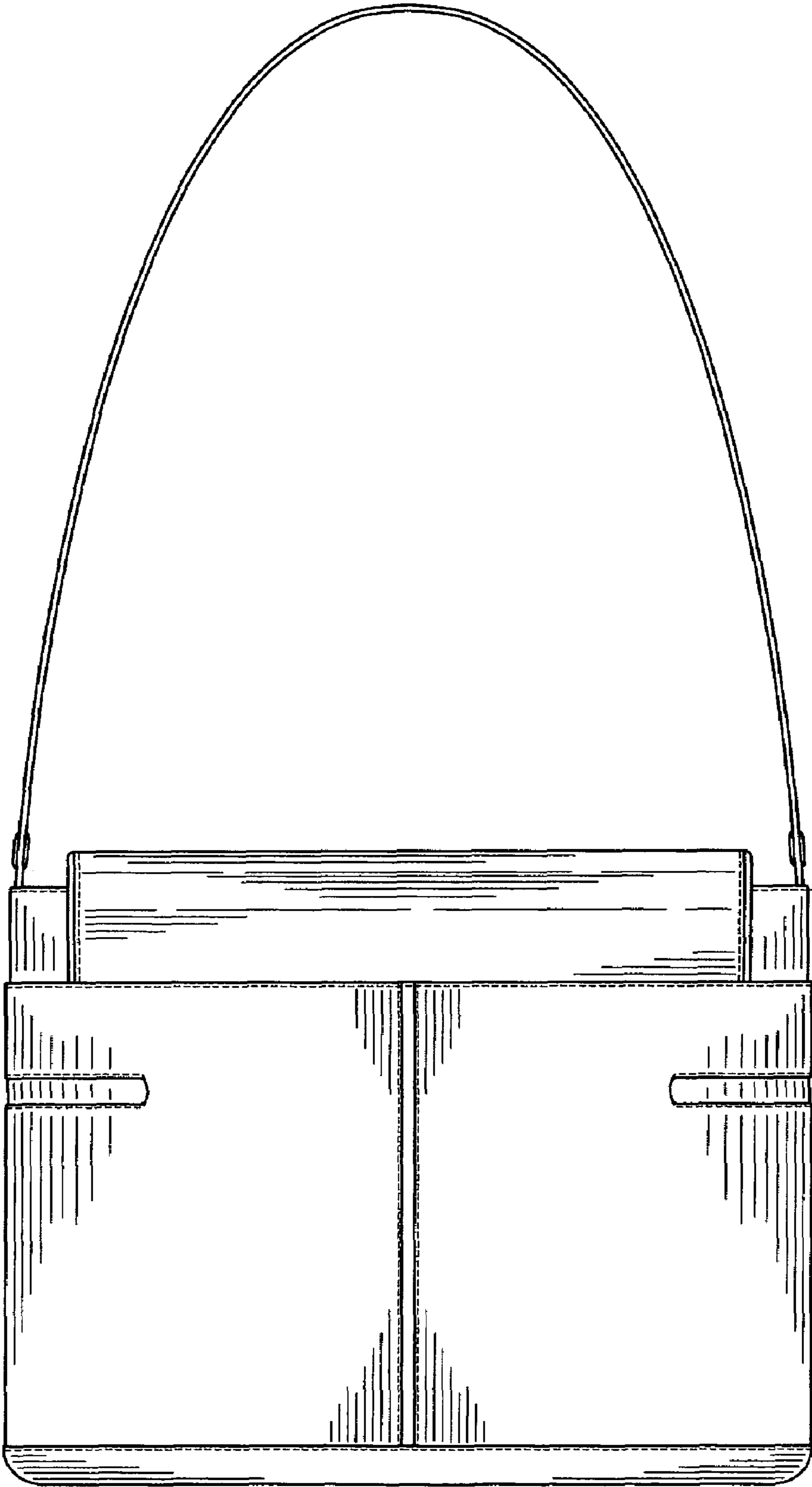


FIG. 3

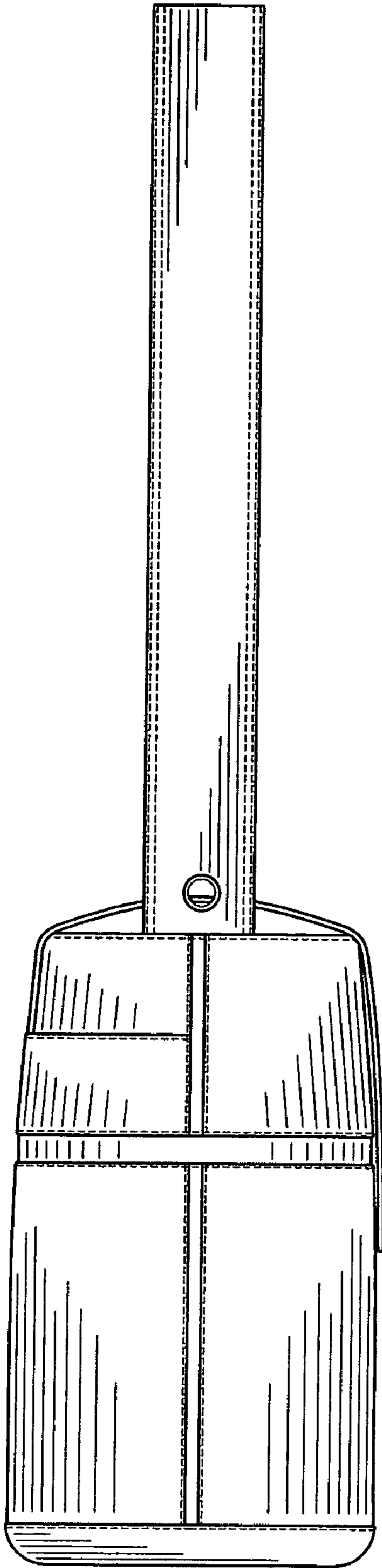


FIG. 4

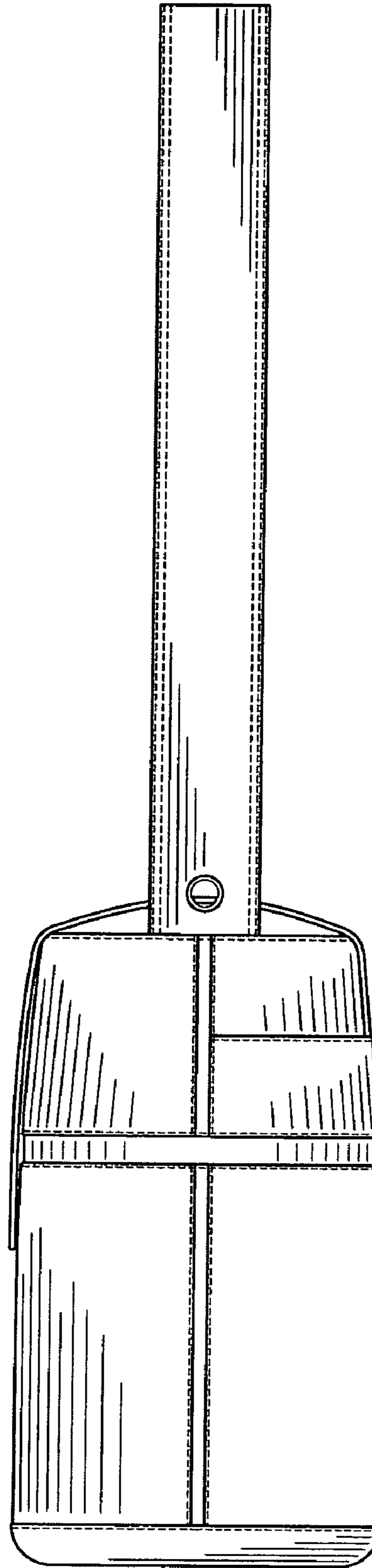


FIG. 5



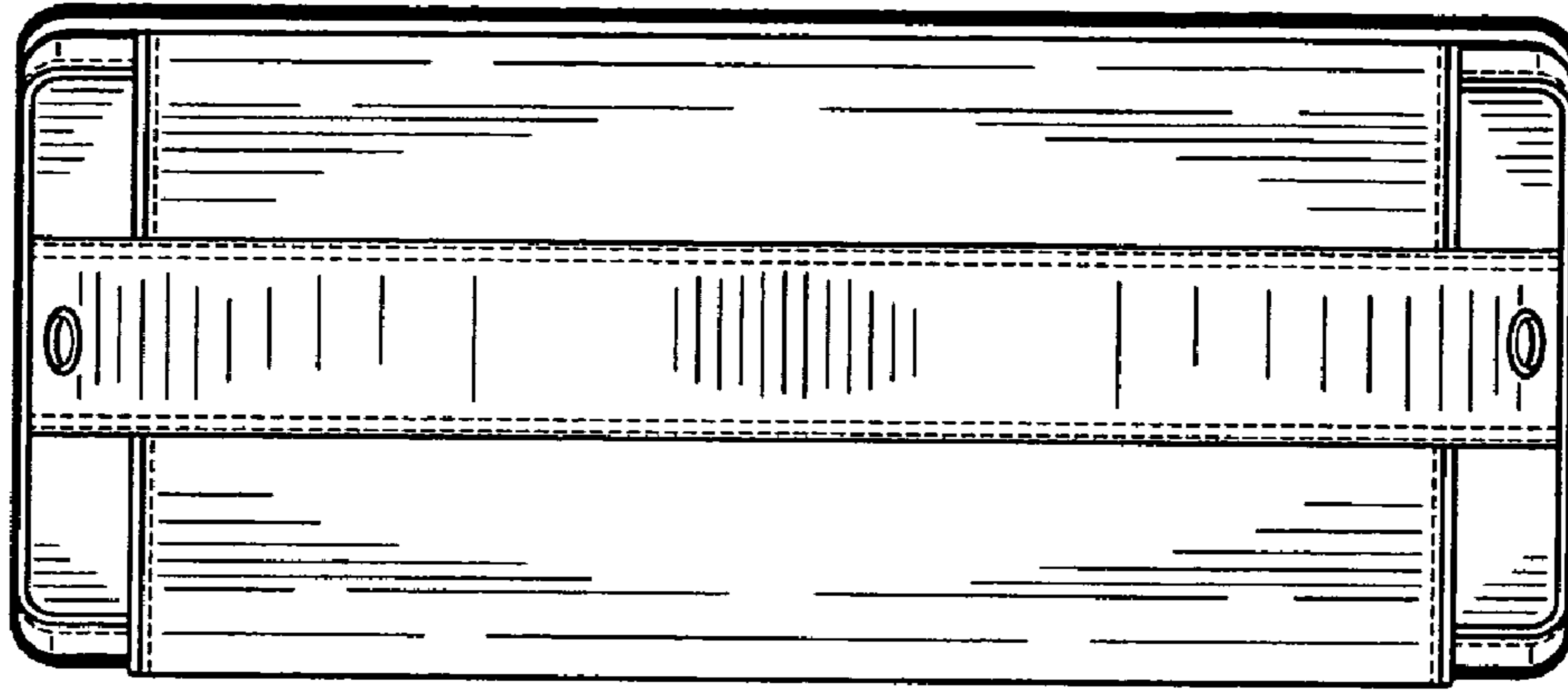


FIG. 6

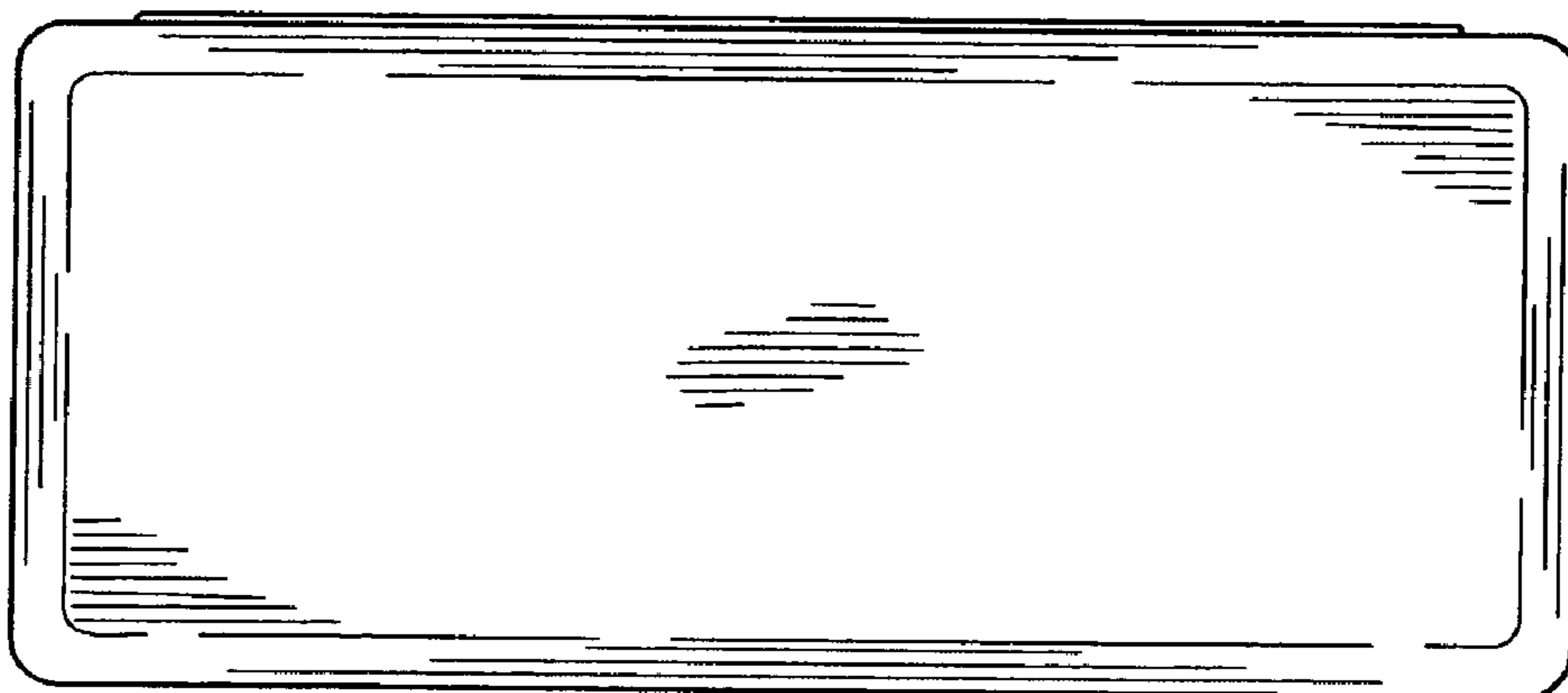


FIG. 7

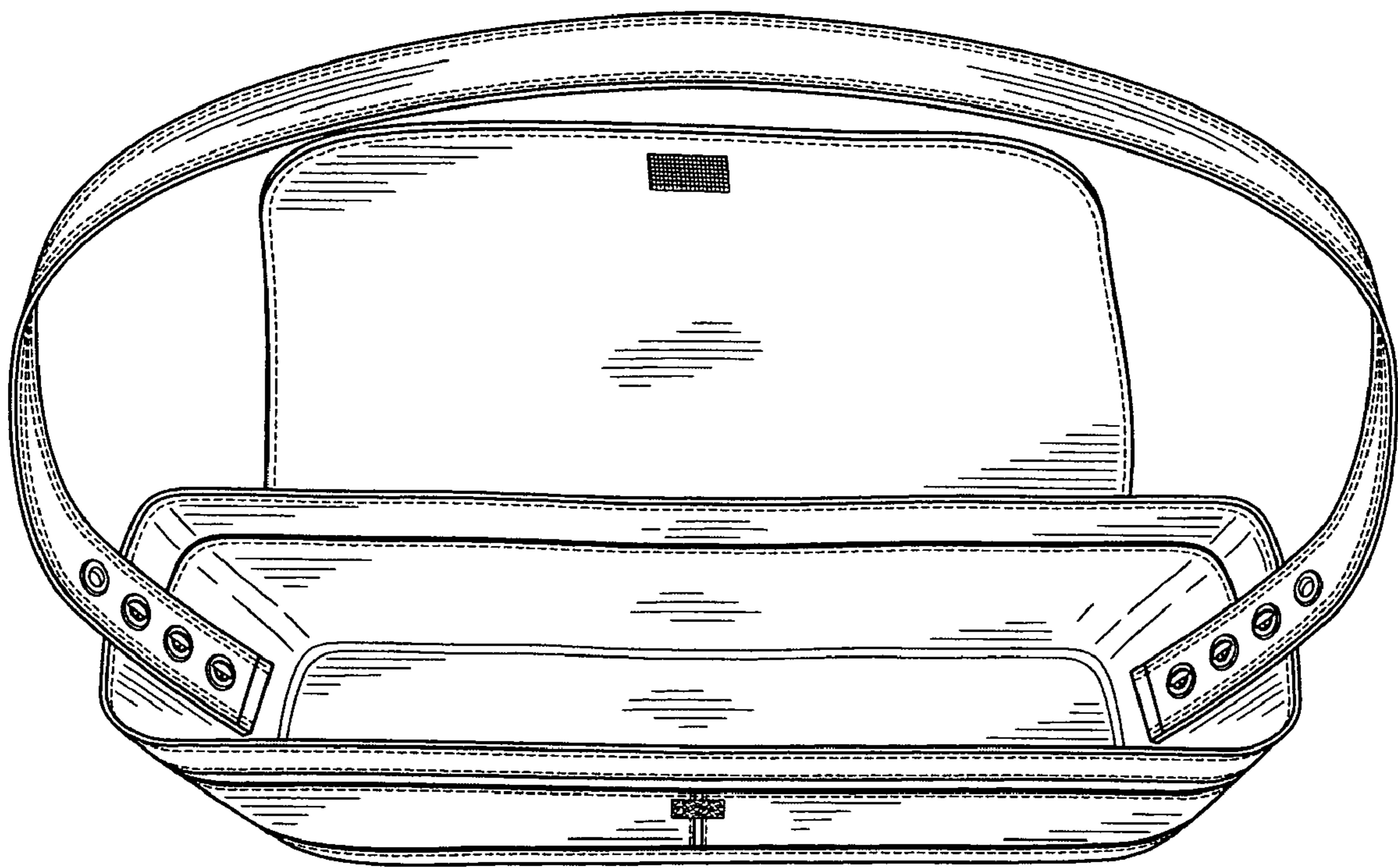


FIG. 8

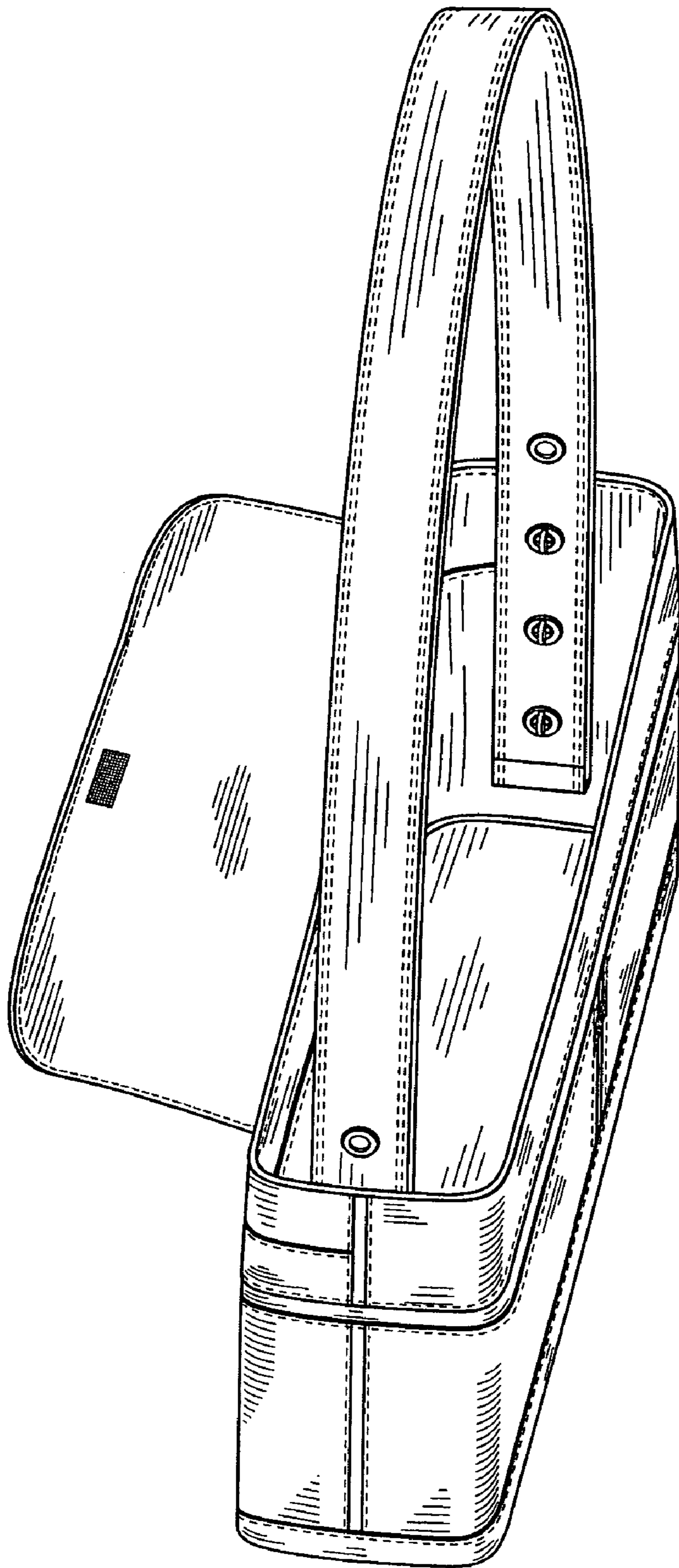


FIG. 9