

US00D566374S

(12) **United States Design Patent**  
**Whiteside et al.**

(10) **Patent No.:** **US D566,374 S**  
(45) **Date of Patent:** **\*\* Apr. 8, 2008**

(54) **FRAME FOR A MECHANIC'S CREEPER**

(75) Inventors: **Kirt E. Whiteside**, Marion, OH (US);  
**Shane Obitts**, Elyria, OH (US)

(73) Assignee: **Whiteside Manufacturing Co.**,  
Delaware, OH (US)

(\*\*) Term: **14 Years**

(21) Appl. No.: **29/285,653**

(22) Filed: **Apr. 5, 2007**

(51) **LOC (8) Cl.** ..... **12-02**

(52) **U.S. Cl.** ..... **D34/23**

(58) **Field of Classification Search** ..... D34/1-27;  
280/32.6, 32.7, 79.11

See application file for complete search history.

(56) **References Cited**

**U.S. PATENT DOCUMENTS**

5,174,592	A *	12/1992	Pool	.....	280/32.6
5,330,209	A	7/1994	Pool		
D351,707	S	10/1994	Pill		
5,413,544	A	5/1995	Flore		
5,472,219	A	12/1995	Eckstrum		
5,527,051	A	6/1996	Plaza		
5,624,126	A	4/1997	Vosbikian et al.		
D396,920	S	8/1998	Whiteside et al.		
D398,433	S	9/1998	Whiteside et al.		
D401,714	S	11/1998	Whiteside et al.		
D401,715	S	11/1998	Whiteside et al.		
D403,822	S	1/1999	Whiteside et al.		
D406,432	S	3/1999	Taylor et al.		
D406,433	S	3/1999	Taylor et al.		
D406,683	S	3/1999	Taylor et al.		
5,895,062	A *	4/1999	Miles et al.	.....	280/32.6
D409,344	S	5/1999	Whiteside et al.		
6,076,838	A *	6/2000	Peterson et al.	.....	280/32.6

D436,708	S	1/2001	Whiteside
D458,432	S	6/2002	Whiteside et al.
D460,237	S	7/2002	Hart
6,705,622	B2	3/2004	Whiteside
6,966,564	B2	11/2005	Hernandez, Jr.
D532,177	S	11/2006	Hernandez
2005/0023780	A1	2/2005	Liu

**OTHER PUBLICATIONS**

Cover only Catalog 43 of Whiteside Mfg. Co., Delaware, Ohio.  
Pages 44-45 of a catalog of Lisle Corp., Clarinda, Iowa.  
Page 179 of a catalog showing MAC Tools Creepers.

\* cited by examiner

*Primary Examiner*—Cynthia E Ramirez

(74) *Attorney, Agent, or Firm*—Renner, Kenner, Greive,  
Bobak, Taylor & Weber

(57) **CLAIM**

The ornamental design for a frame for a mechanic's creeper,  
as shown and described.

**DESCRIPTION**

FIG. 1 is a top, rear, left side perspective view of a frame for  
a mechanic's creeper showing our new design;

FIG. 2 is a top plan view thereof;

FIG. 3 is a bottom plan view thereof;

FIG. 4 is a left side elevational view thereof;

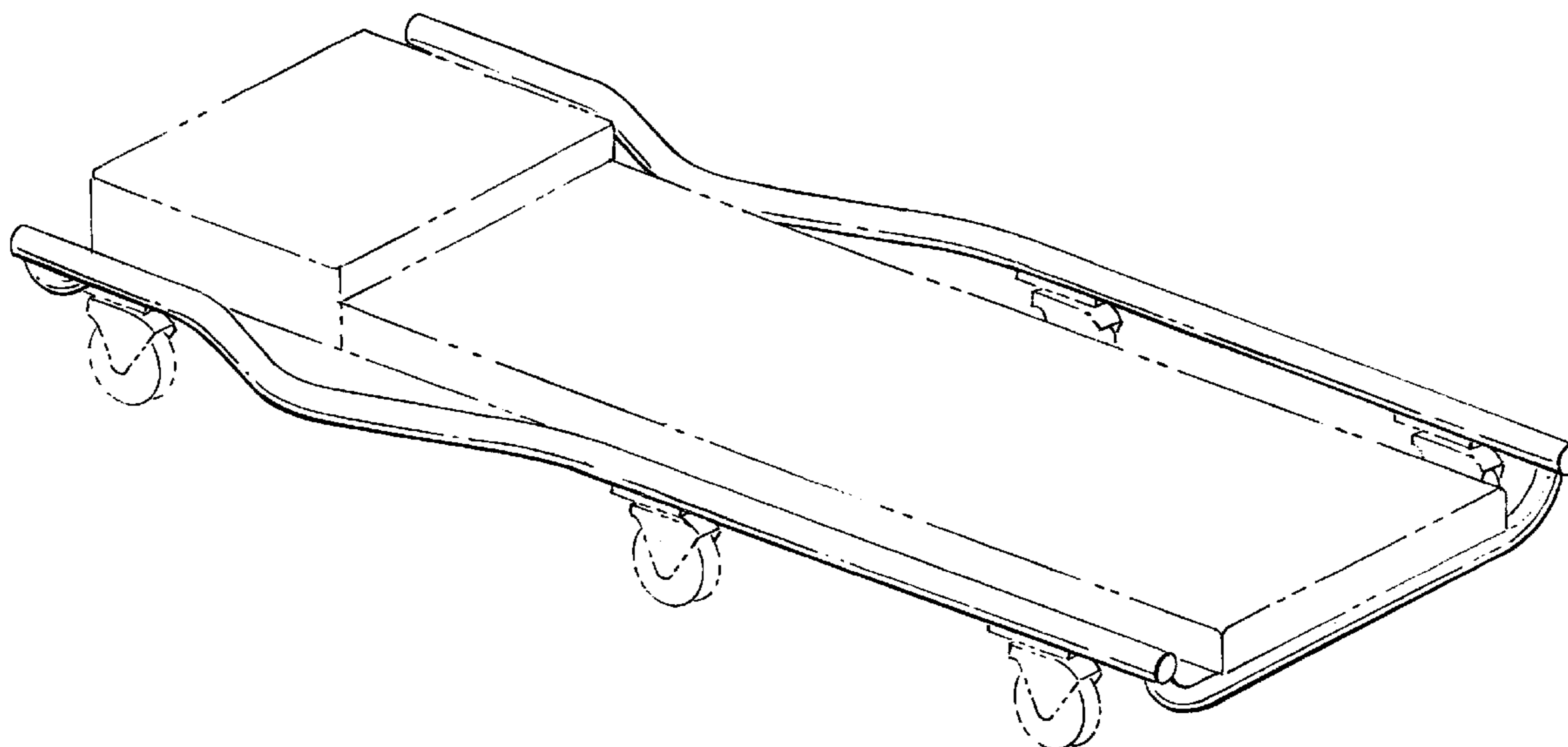
FIG. 5 is a right side elevational view thereof;

FIG. 6 is a front elevational view thereof; and,

FIG. 7 is a rear elevational view thereof.

The broken lines showing the pad and the casters are for  
illustrative purposes only and form no part of the claimed  
design.

**1 Claim, 5 Drawing Sheets**



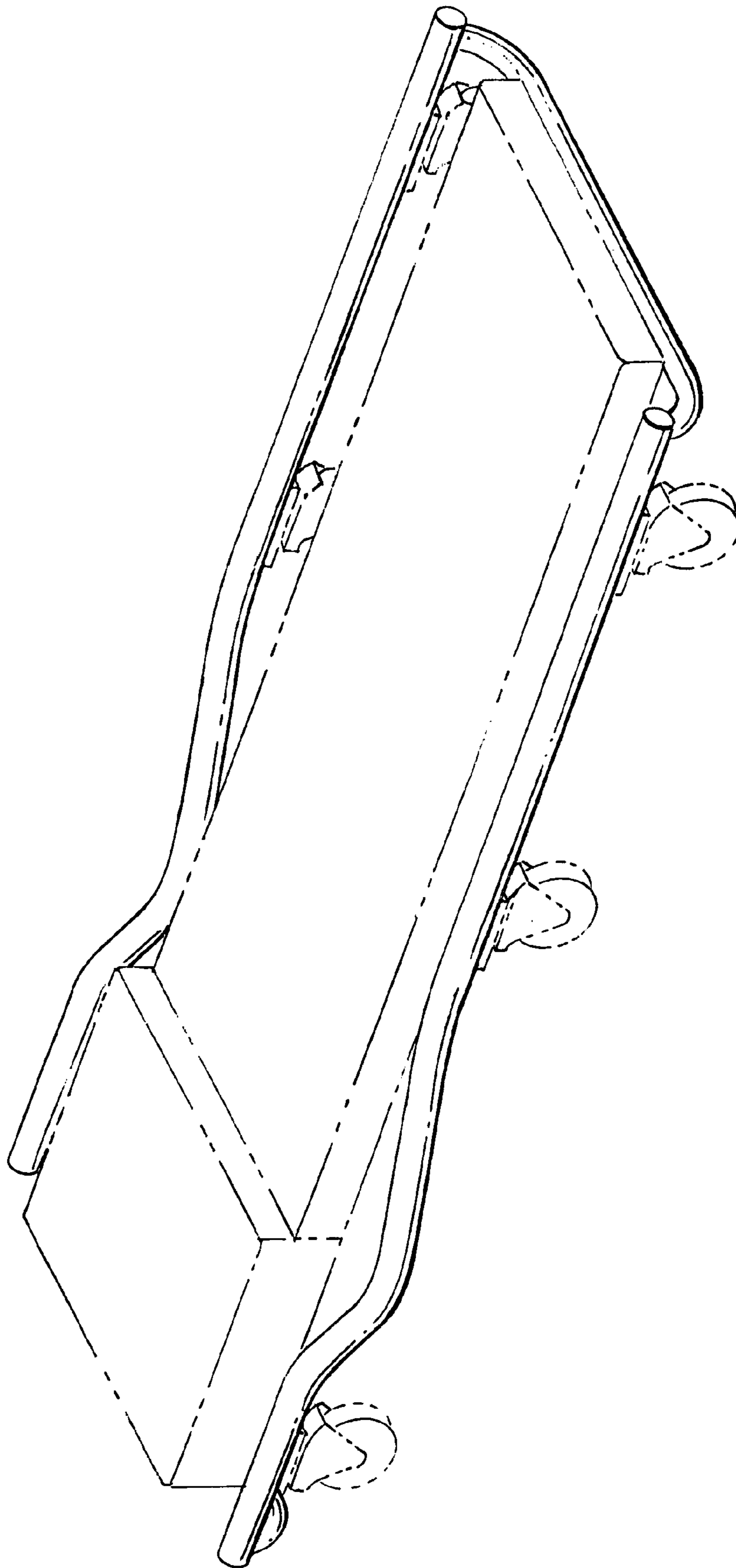


FIG. 1

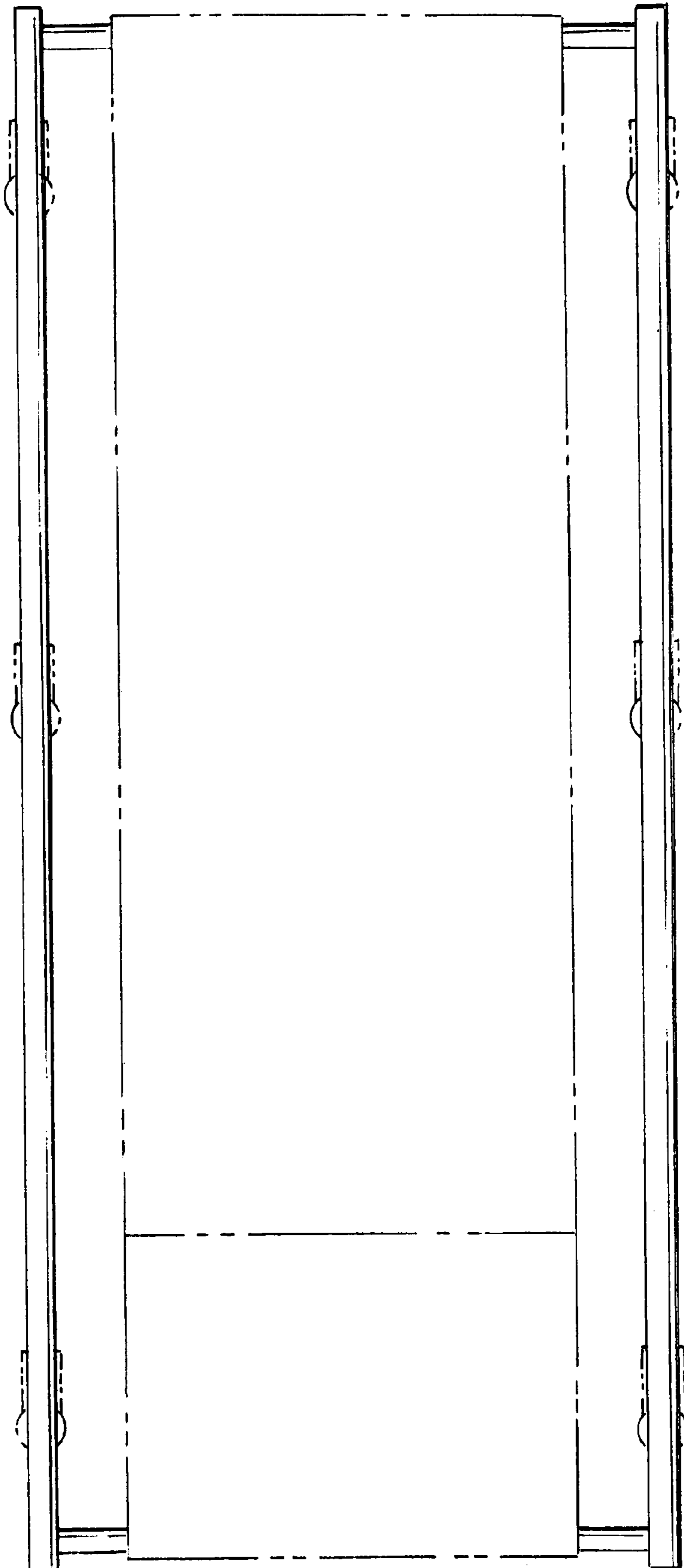


FIG. 2

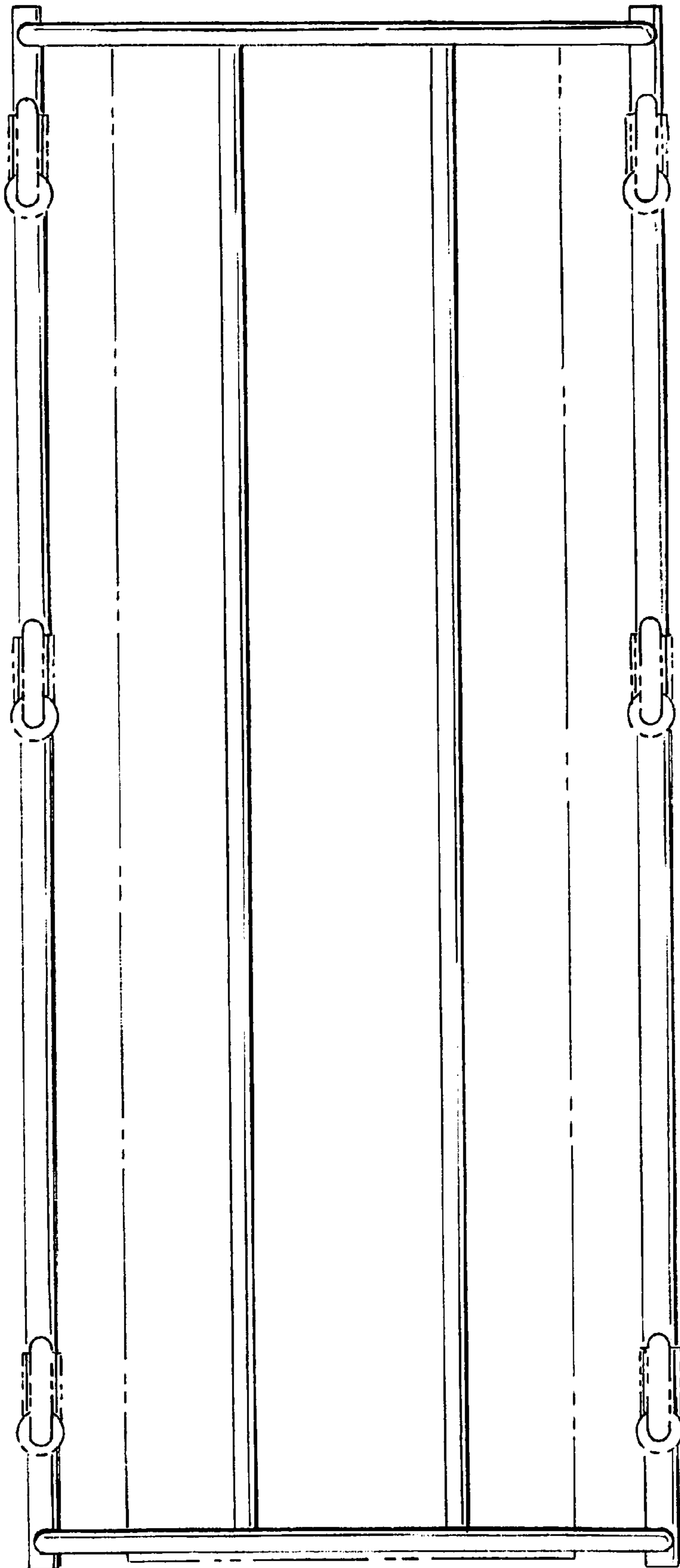


FIG. 3

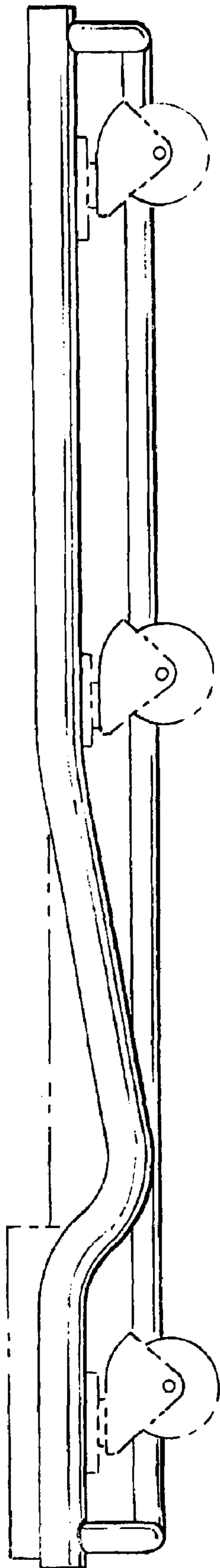


FIG. 4

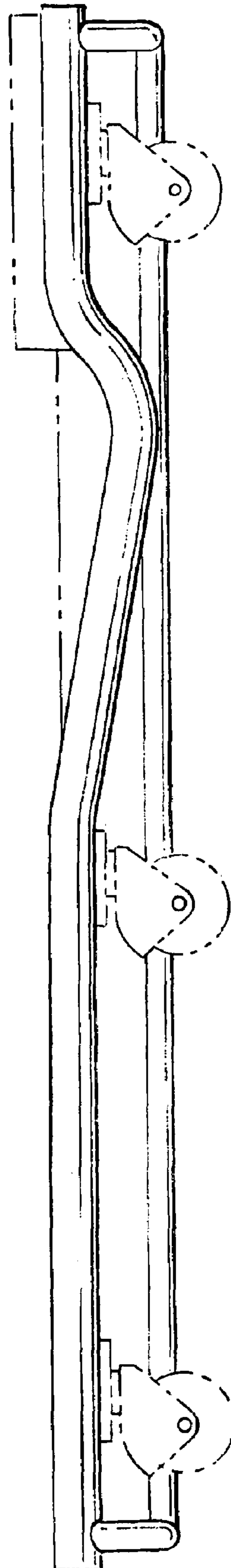


FIG. 5

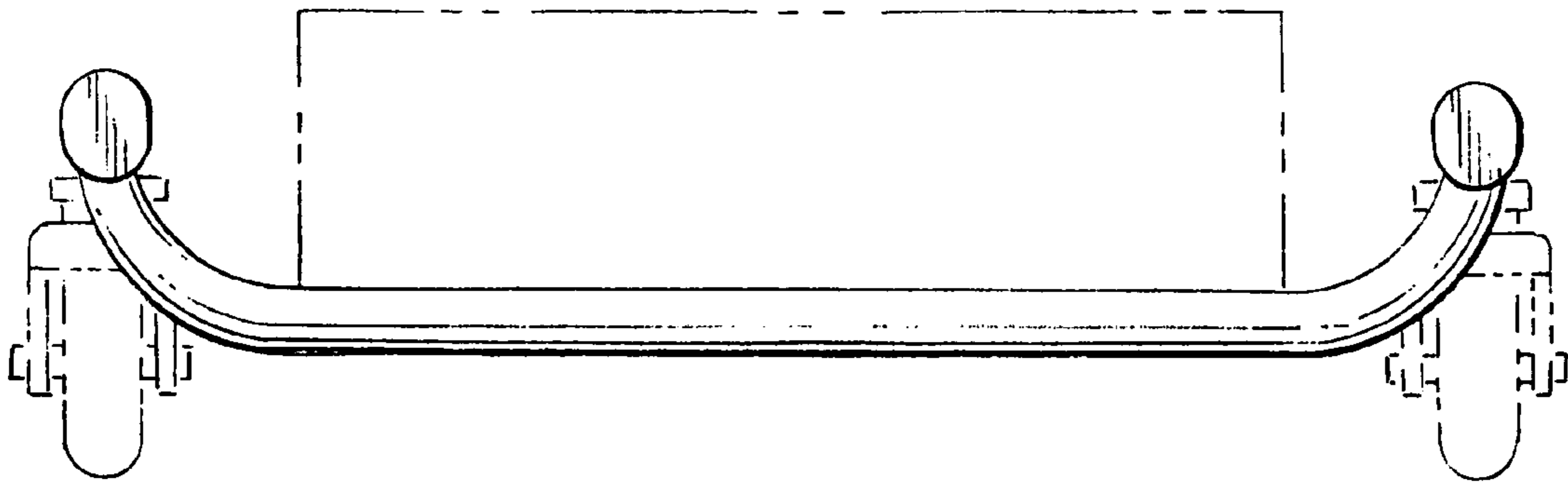


FIG. 6

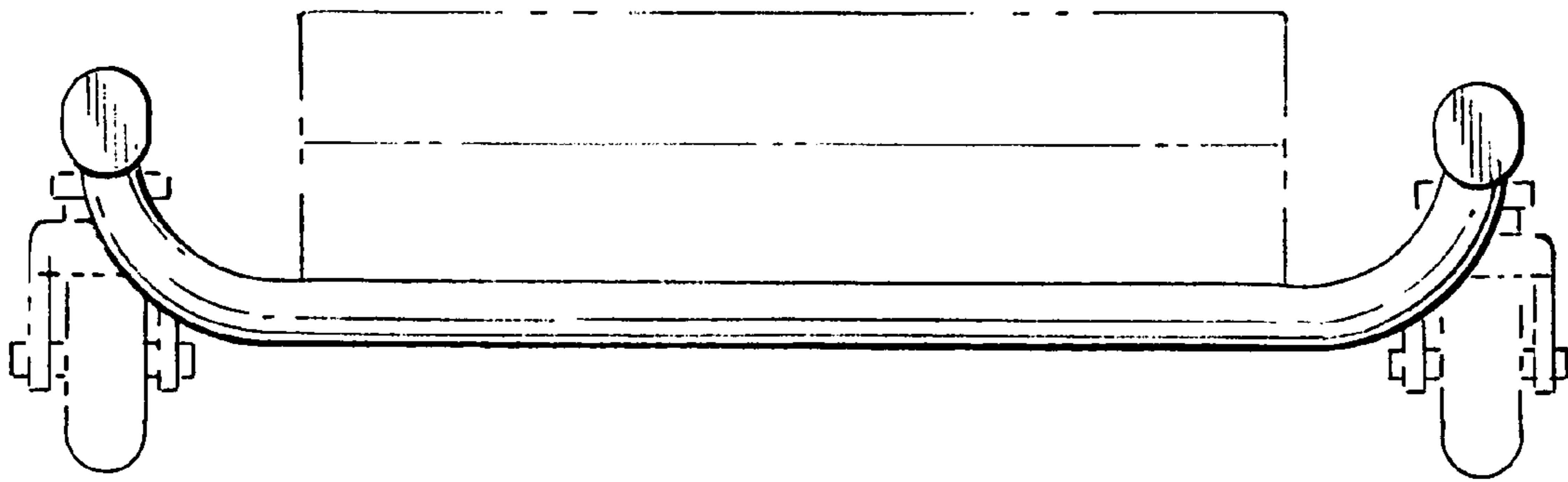


FIG. 7