



US00D566373S

(12) **United States Design Patent**
Wentz et al.

(10) **Patent No.:** **US D566,373 S**

(45) **Date of Patent:** **** Apr. 8, 2008**

(54) **DOLLY**

(75) Inventors: **Ashley P. Z. Wentz**, Winchester, VA (US); **Thomas A. Ruckman**, Winchester, VA (US)

(73) Assignee: **Rubbermaid Commercial Products LLC**, Winchester, VA (US)

(**) Term: **14 Years**

(21) Appl. No.: **29/278,775**

(22) Filed: **Apr. 9, 2007**

(51) **LOC (8) Cl.** **12-02**

(52) **U.S. Cl.** **D34/23**

(58) **Field of Classification Search** D34/12-27;
280/641, 640, 43, 17, 47, 34, 651, 79, 2,
280/47.38, 47.19, 47.24, 47.26; D3/314,
D3/312, 304; 206/503; 248/98
See application file for complete search history.

(56) **References Cited**

U.S. PATENT DOCUMENTS

- 2,901,262 A * 8/1959 Berlin 280/641
- D186,980 S * 1/1960 Molitor D34/17
- D222,238 S * 10/1971 Rehrig D3/306
- D284,609 S * 7/1986 Rich D34/17
- D295,732 S * 5/1988 Nilsson D12/19

- 4,915,329 A * 4/1990 Doninger 248/98
- D495,846 S * 9/2004 Liu D34/17
- D533,327 S * 12/2006 McCaskill D34/17
- 7,213,821 B1 * 5/2007 Johnson 280/79.2

* cited by examiner

Primary Examiner—Cynthia E Ramirez

(74) *Attorney, Agent, or Firm*—Foley and Lardner LLP

(57) **CLAIM**

The ornamental design for a dolly, as shown and described.

DESCRIPTION

FIG. 1 is a top frontal perspective view of a dolly according to our new design;

FIG. 2 is a front view of the dolly shown in FIG. 1;

FIG. 3 is a back view of the dolly shown in FIG. 1;

FIG. 4 is a left side view of the dolly shown in FIG. 1;

FIG. 5 is a right side view of the dolly shown in FIG. 1;

FIG. 6 is a top view of the dolly shown in FIG. 1; and,

FIG. 7 is a bottom view of the dolly shown in FIG. 1.

The ornamental design which is claimed is shown in solid lines in the drawings. The broken lines in the drawings are for illustrative purposes only and form no part of the claimed design.

1 Claim, 4 Drawing Sheets

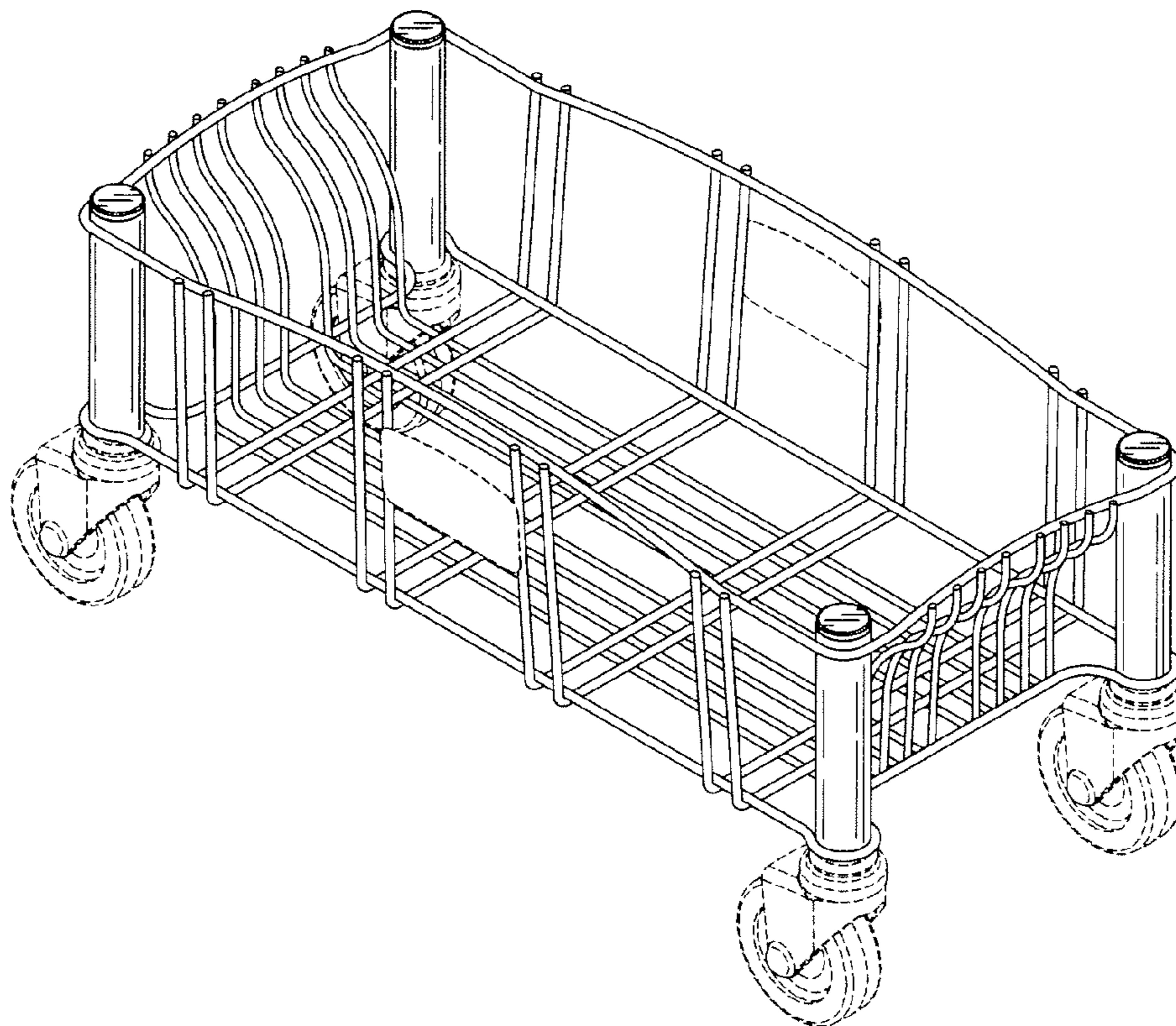


Fig. 1

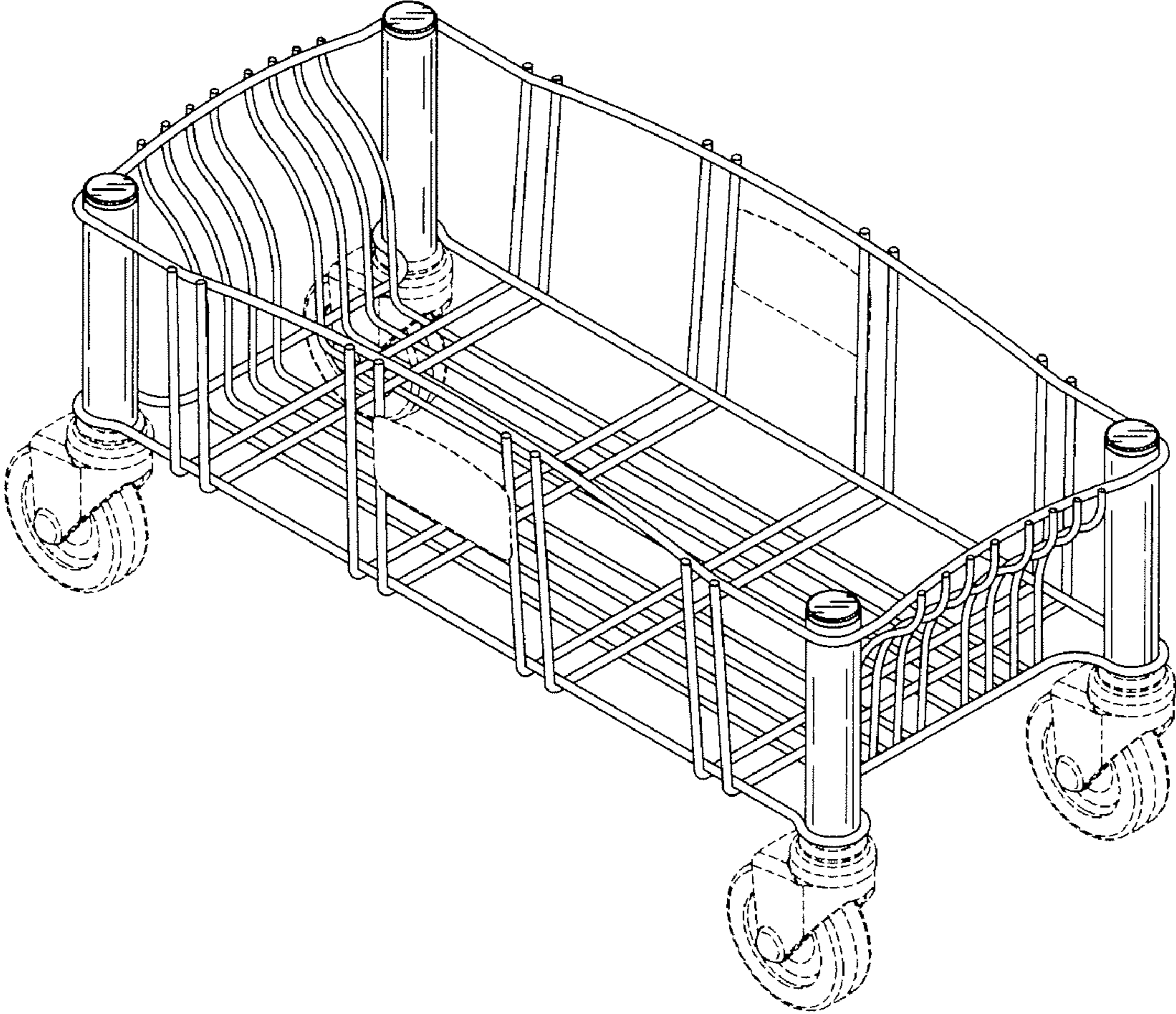


Fig. 2

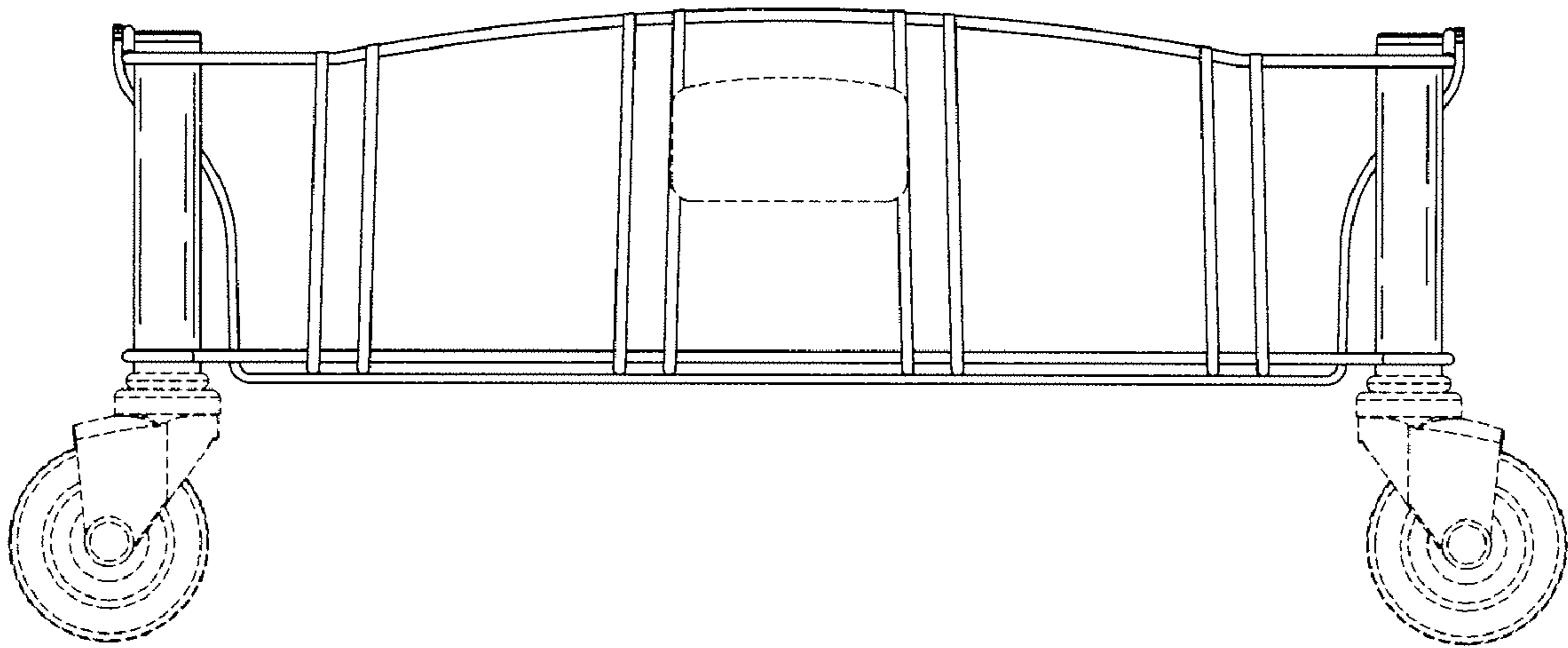


Fig. 3

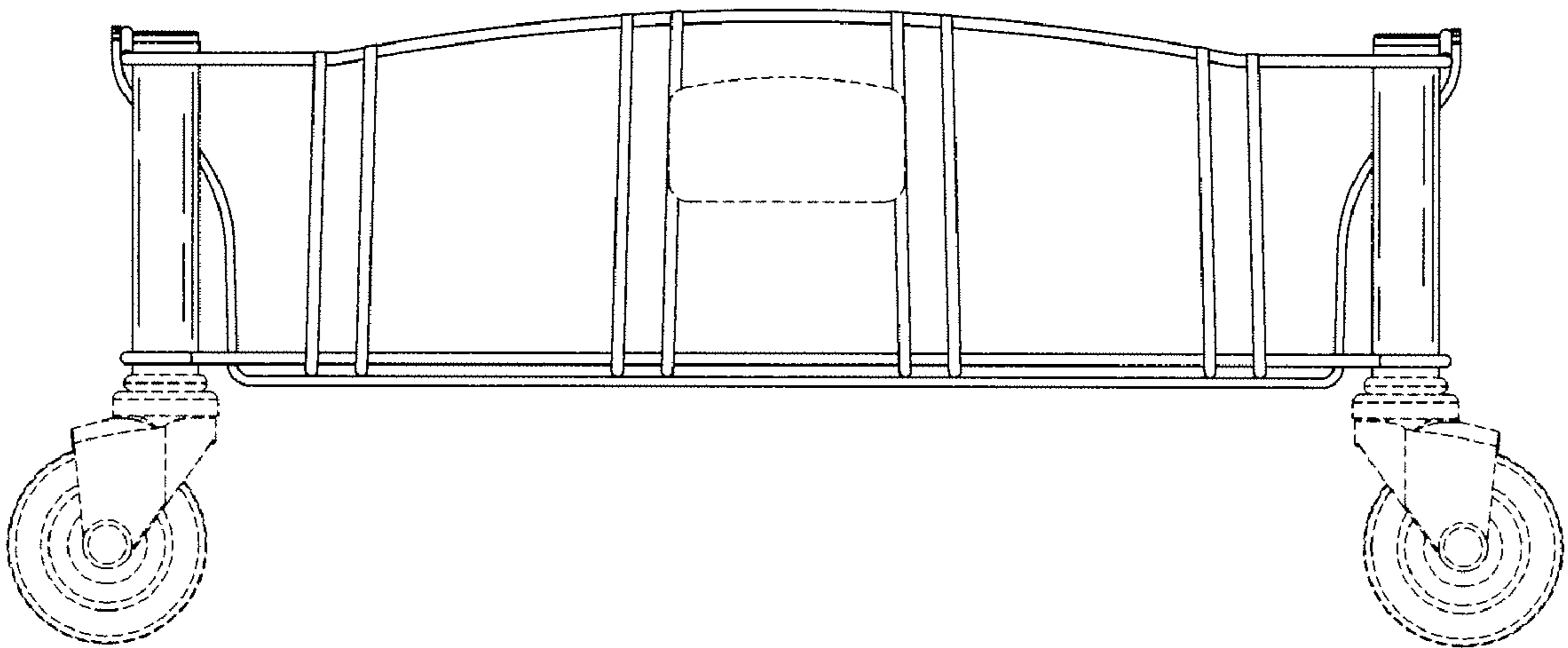


Fig. 4

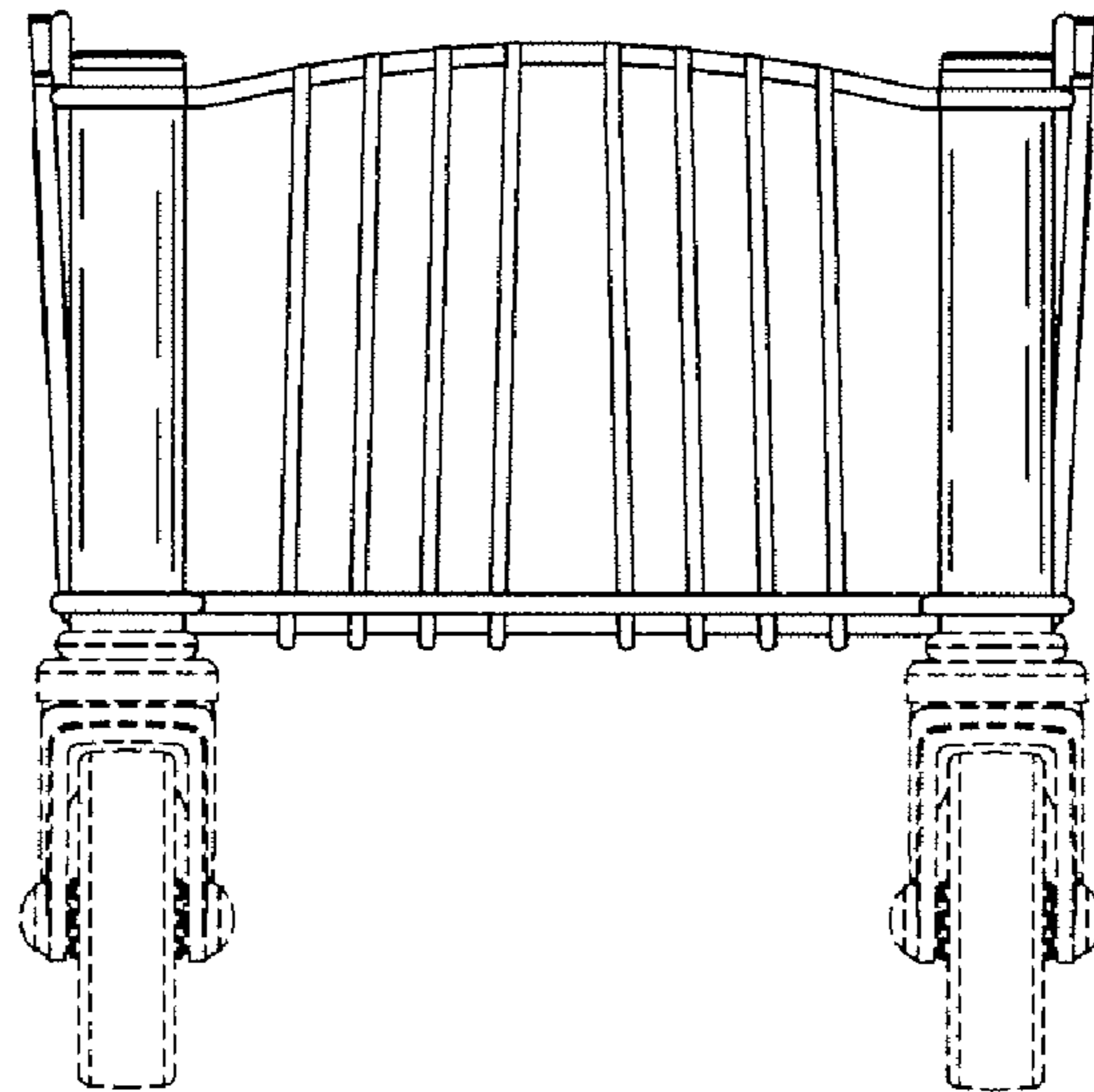


Fig. 5

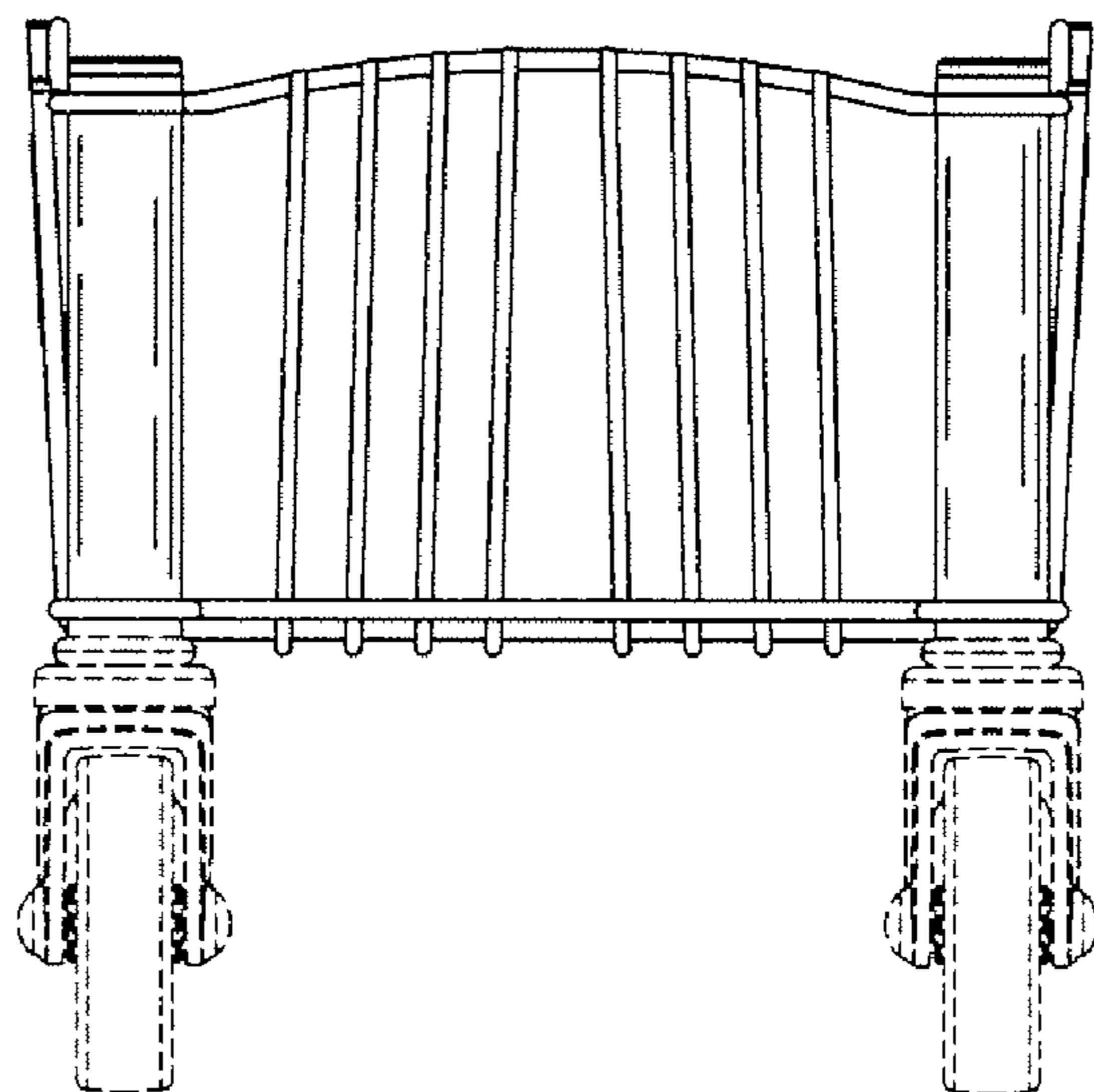


Fig. 6

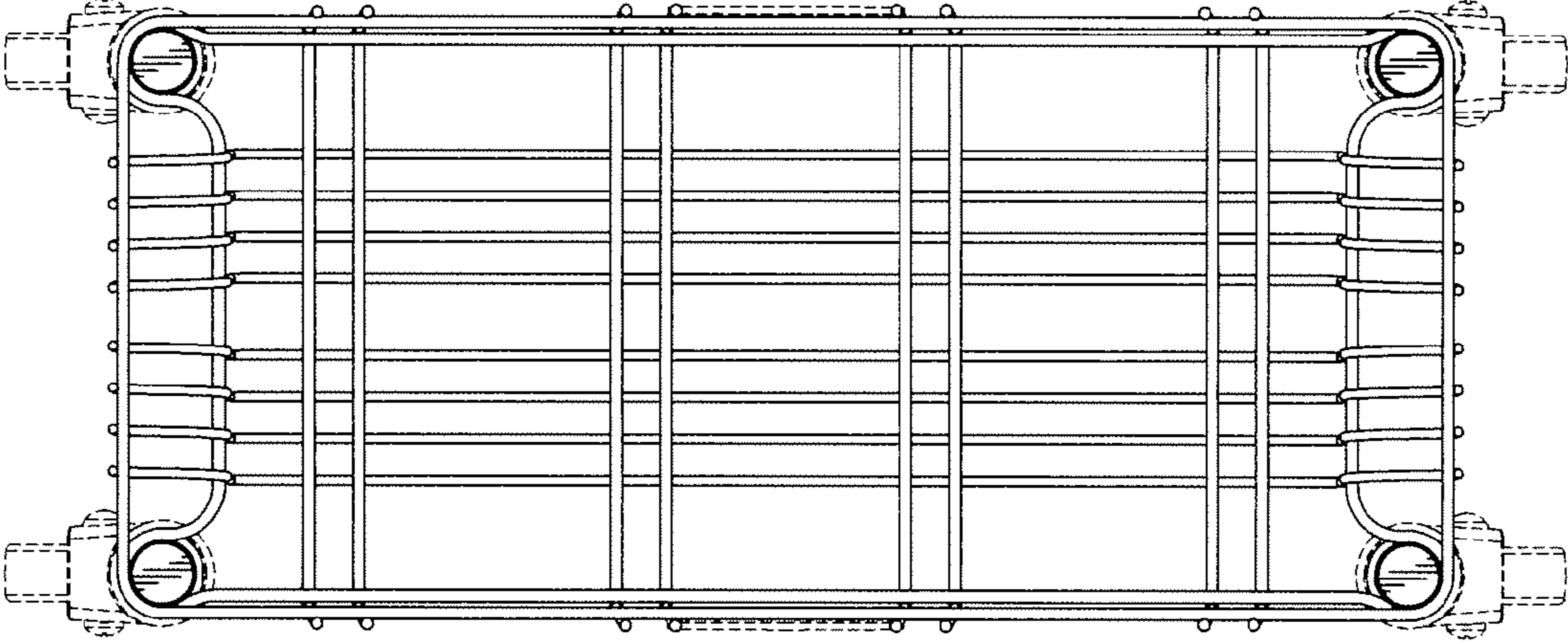


Fig. 7

