



US00D566369S

(12) **United States Design Patent**  
**Shek**

(10) **Patent No.:** **US D566,369 S**

(45) **Date of Patent:** **\*\* Apr. 8, 2008**

(54) **INDUCTION TYPE COVER**

(76) Inventor: **Michael Shek**, P.O. Box 44-2049,  
Taipei (TW) 10668

(\*\*) Term: **14 Years**

(21) Appl. No.: **29/274,052**

(22) Filed: **Mar. 26, 2007**

(51) **LOC (8) Cl.** ..... **09-09**

(52) **U.S. Cl.** ..... **D34/11**

(58) **Field of Classification Search** ..... D34/1,  
D34/5, 6, 7, 8, 9, 10, 11; 220/908-913, 200,  
220/201, 202

See application file for complete search history.

(56) **References Cited**

**U.S. PATENT DOCUMENTS**

D446,375 S *	8/2001	Daams	.....	D34/7
D470,290 S *	2/2003	Harvey	.....	D34/11
D482,509 S *	11/2003	Lin	.....	D34/39
D509,937 S *	9/2005	Lin	.....	D34/11
D535,449 S *	1/2007	Chen	.....	D34/7
D547,020 S *	7/2007	Chen	.....	D34/7

D551,821 S \* 9/2007 Wang et al. .... D34/7

\* cited by examiner

*Primary Examiner*—Cynthia E Ramirez

(57) **CLAIM**

The ornamental design for an induction type cover, as shown and described.

**DESCRIPTION**

FIG. 1 is a perspective view of an induction type cover;

FIG. 2 is a front view thereof;

FIG. 3 is a back view thereof;

FIG. 4 is a left view thereof;

FIG. 5 is a right view thereof;

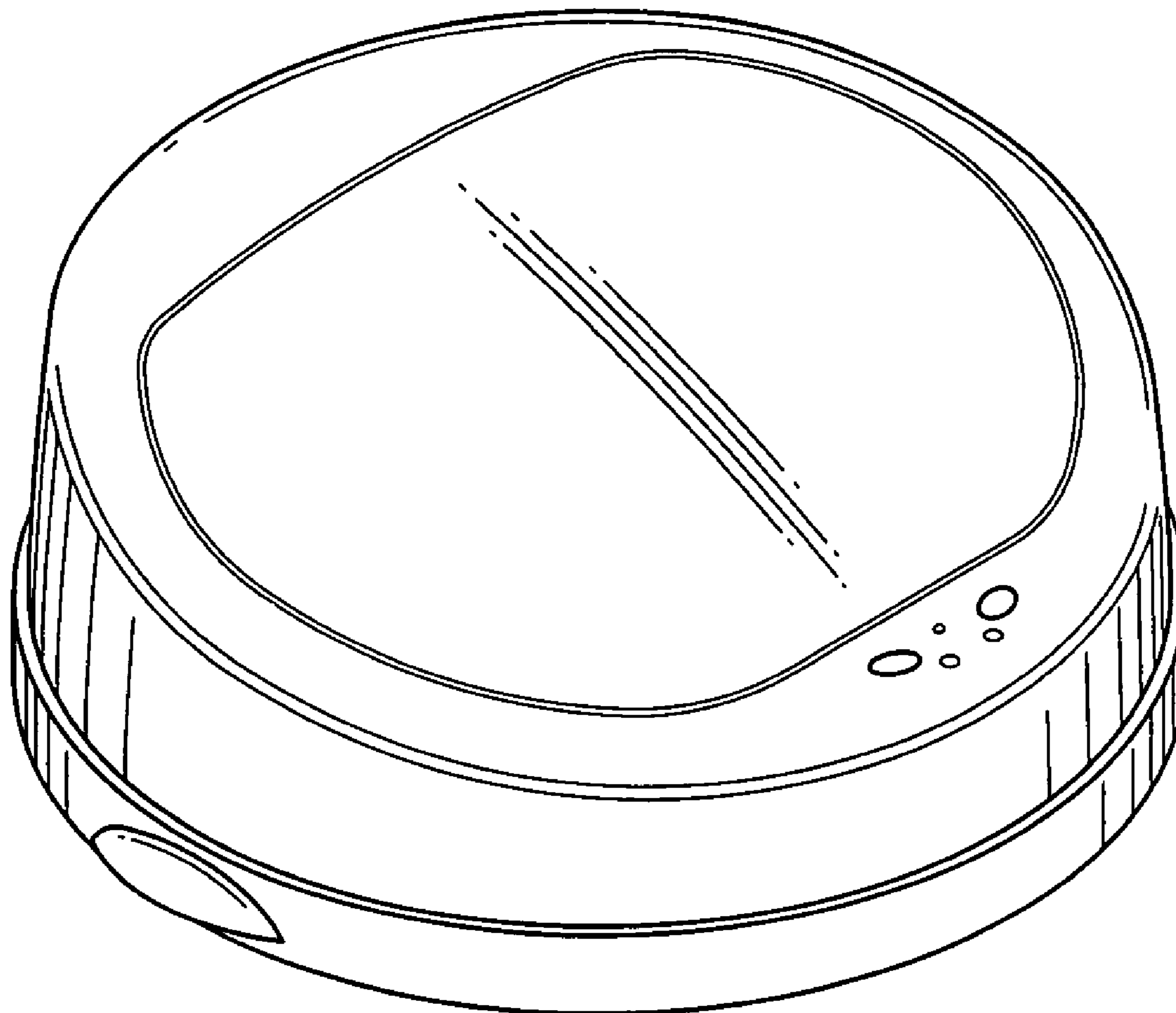
FIG. 6 is a top view thereof;

FIG. 7 is a bottom view thereof; and,

FIG. 8 is a perspective view thereof showing an example in use.

The broken lines shown in the figures are for illustrative purposes only and form no part of the claimed design.

**1 Claim, 5 Drawing Sheets**



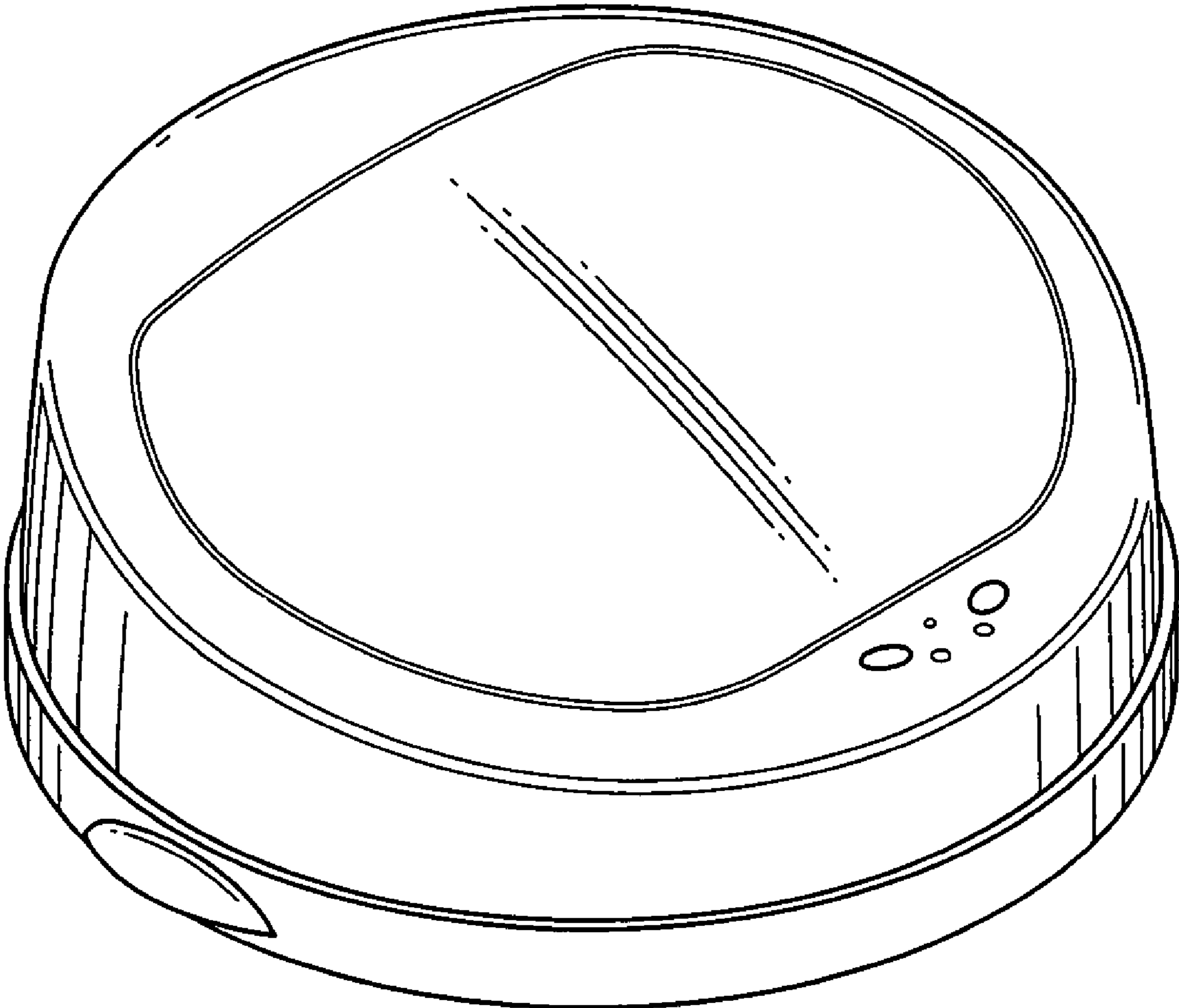


FIG. 1

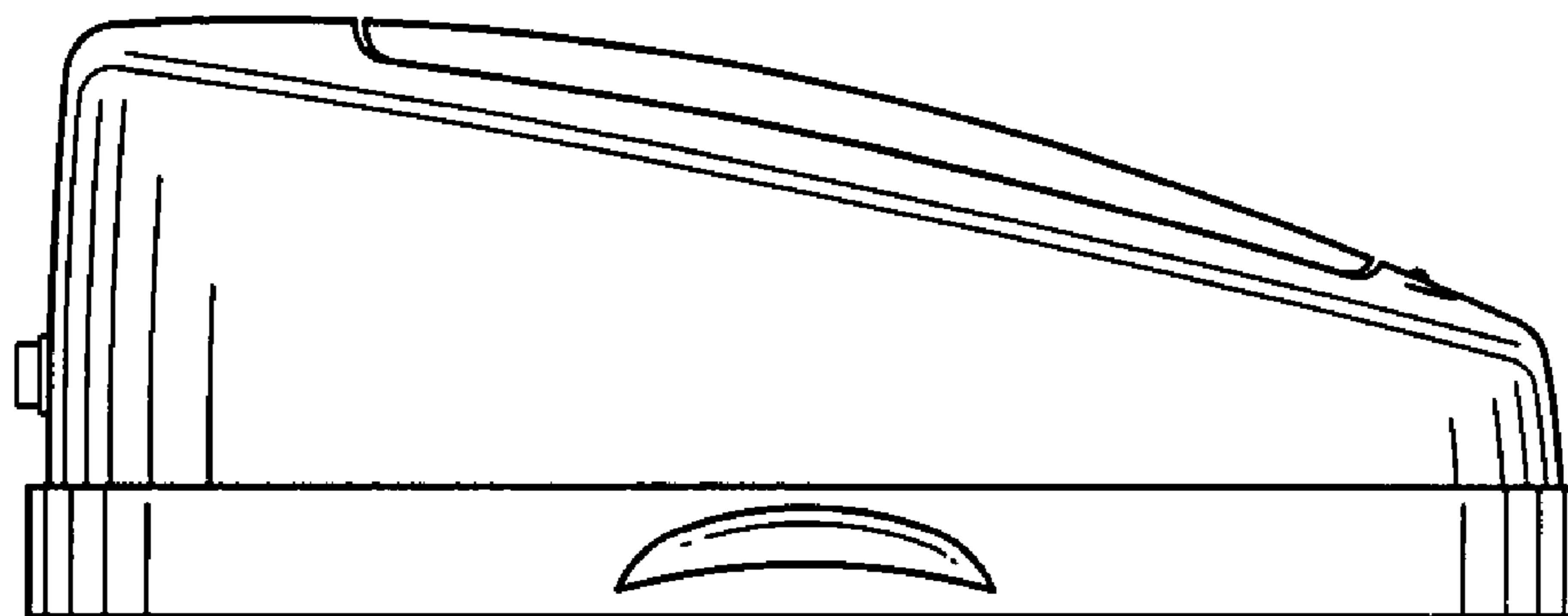


FIG. 2

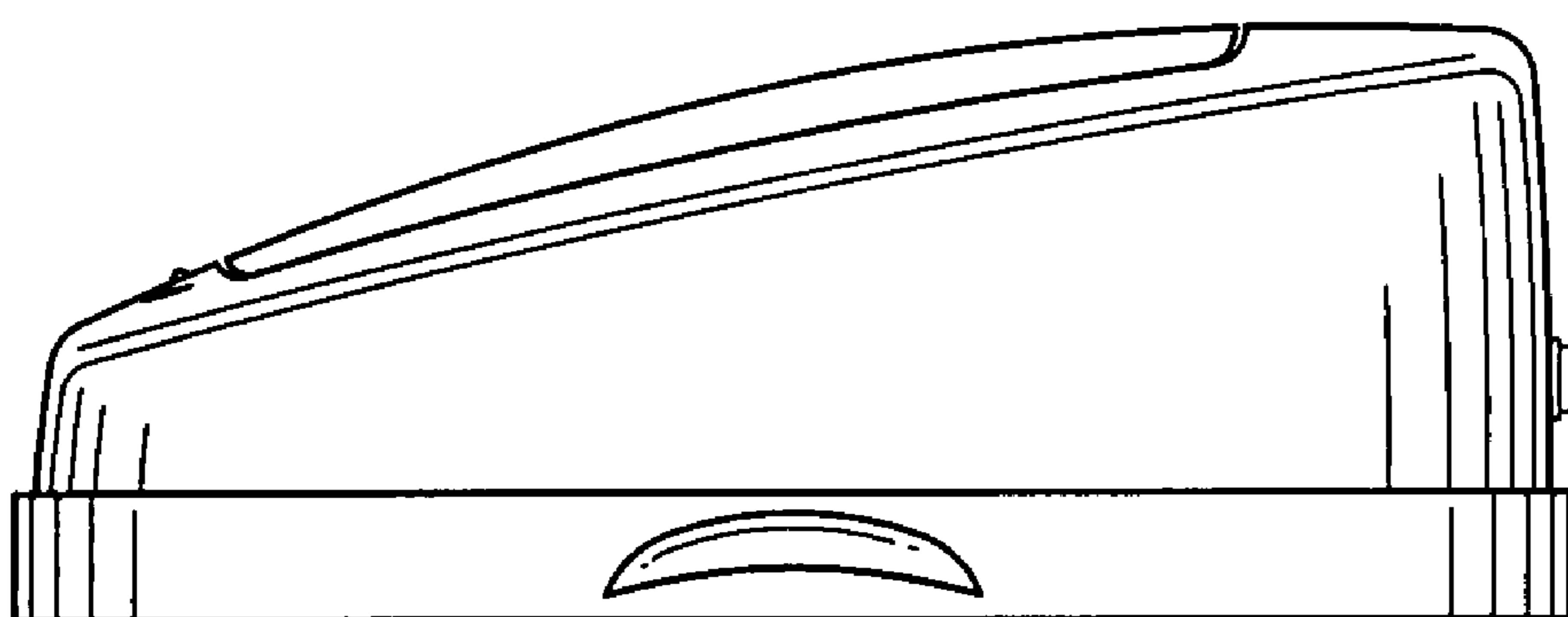


FIG. 3

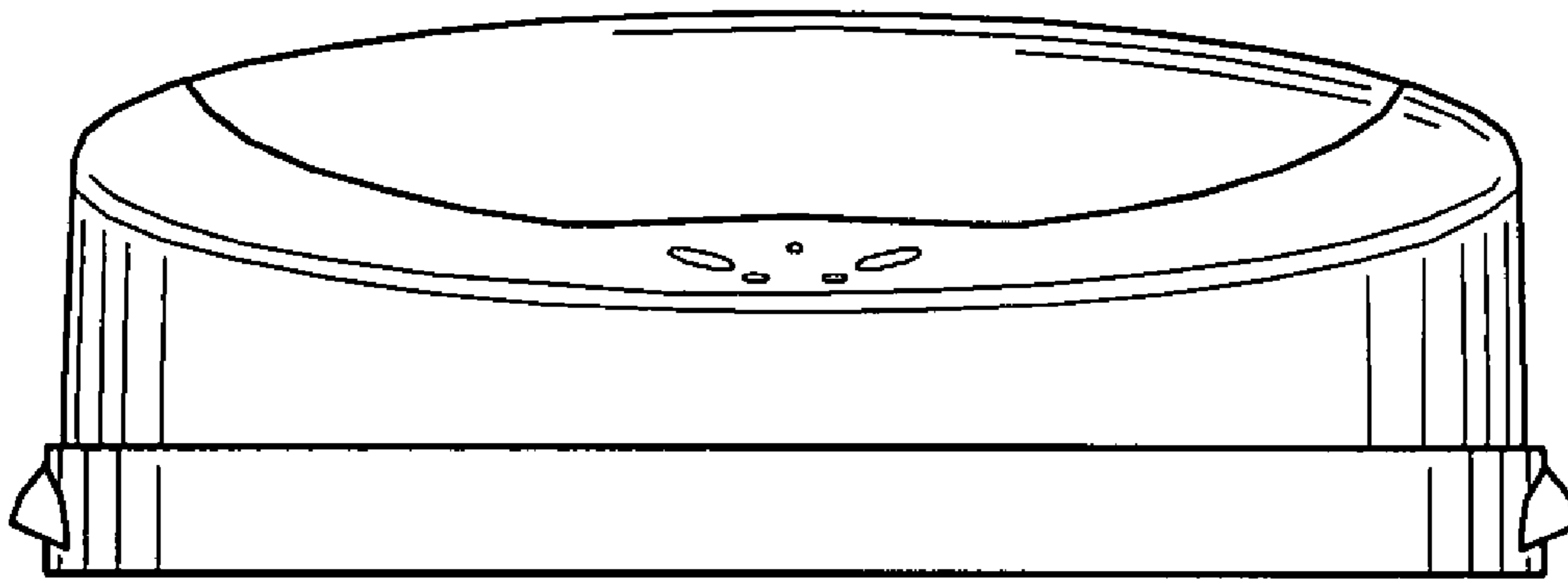


FIG. 4

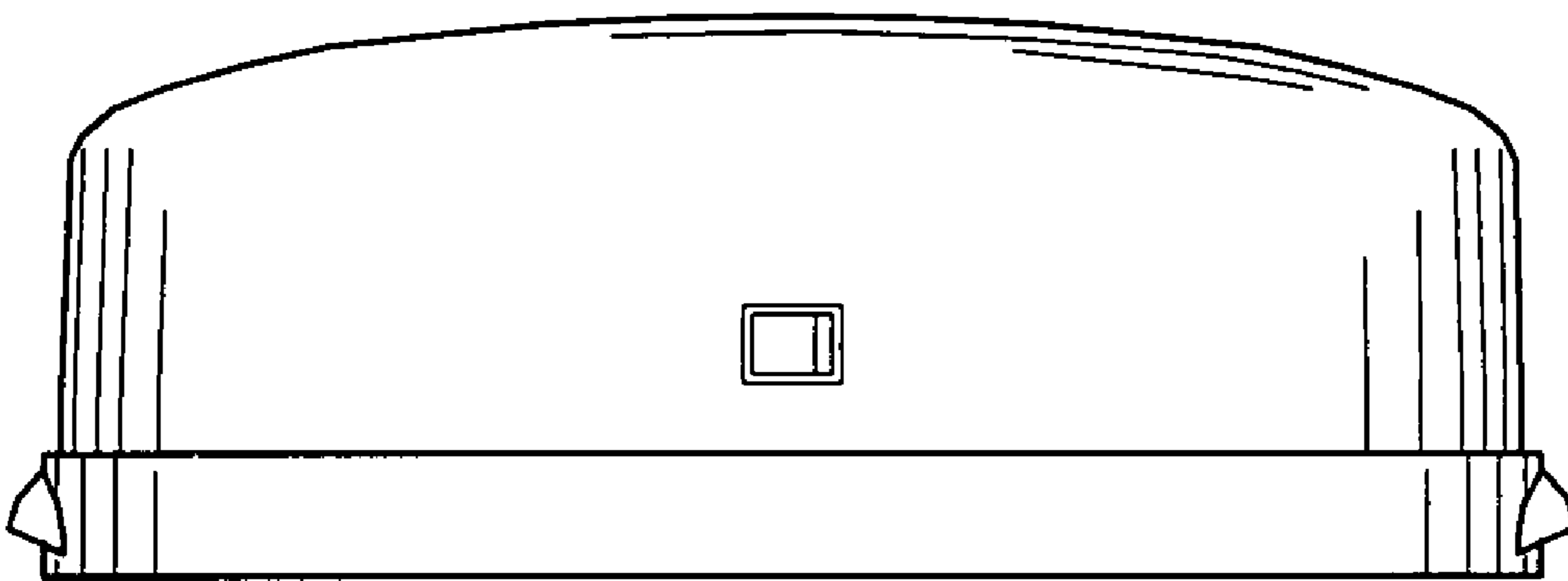


FIG. 5

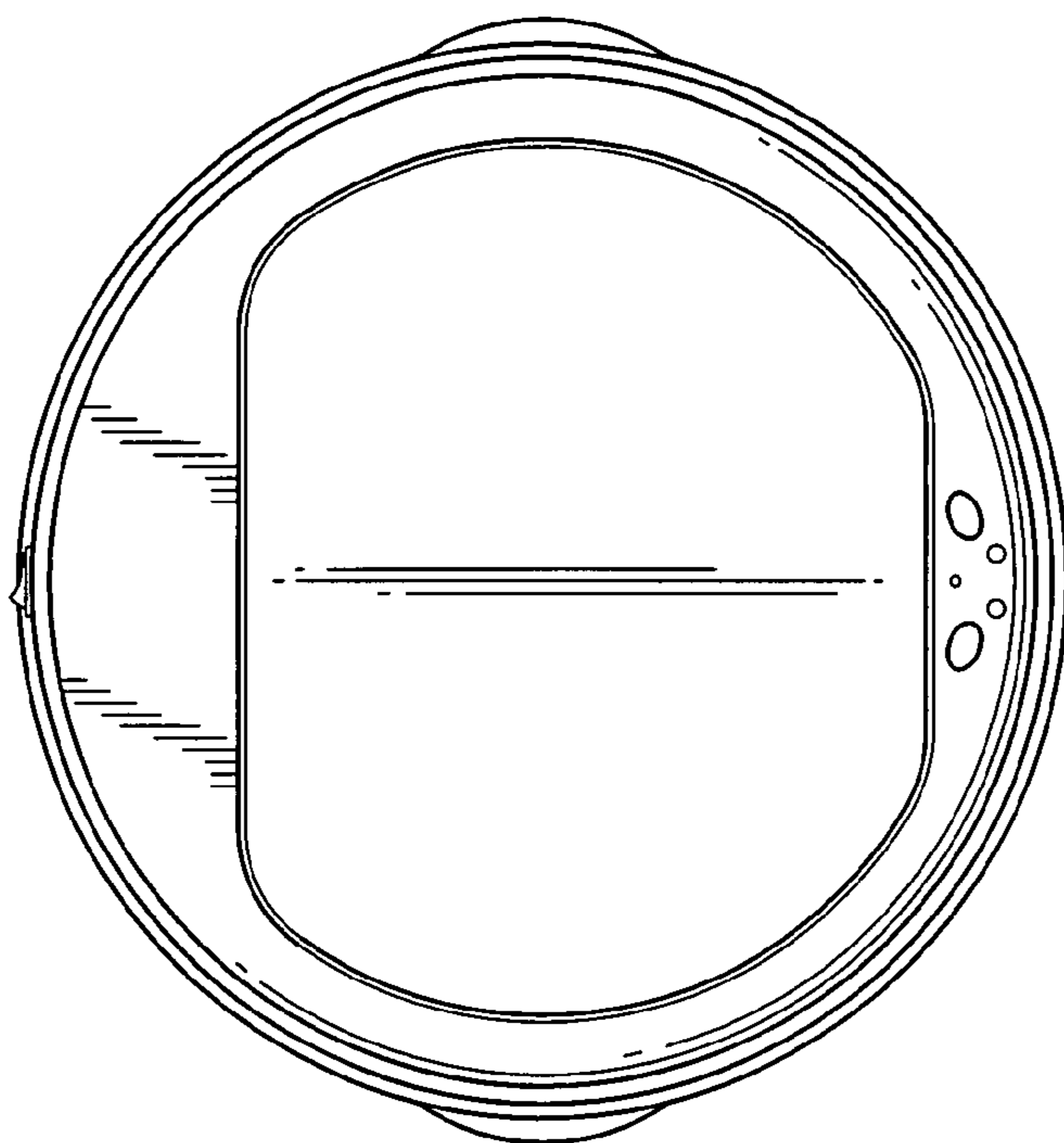


FIG. 6

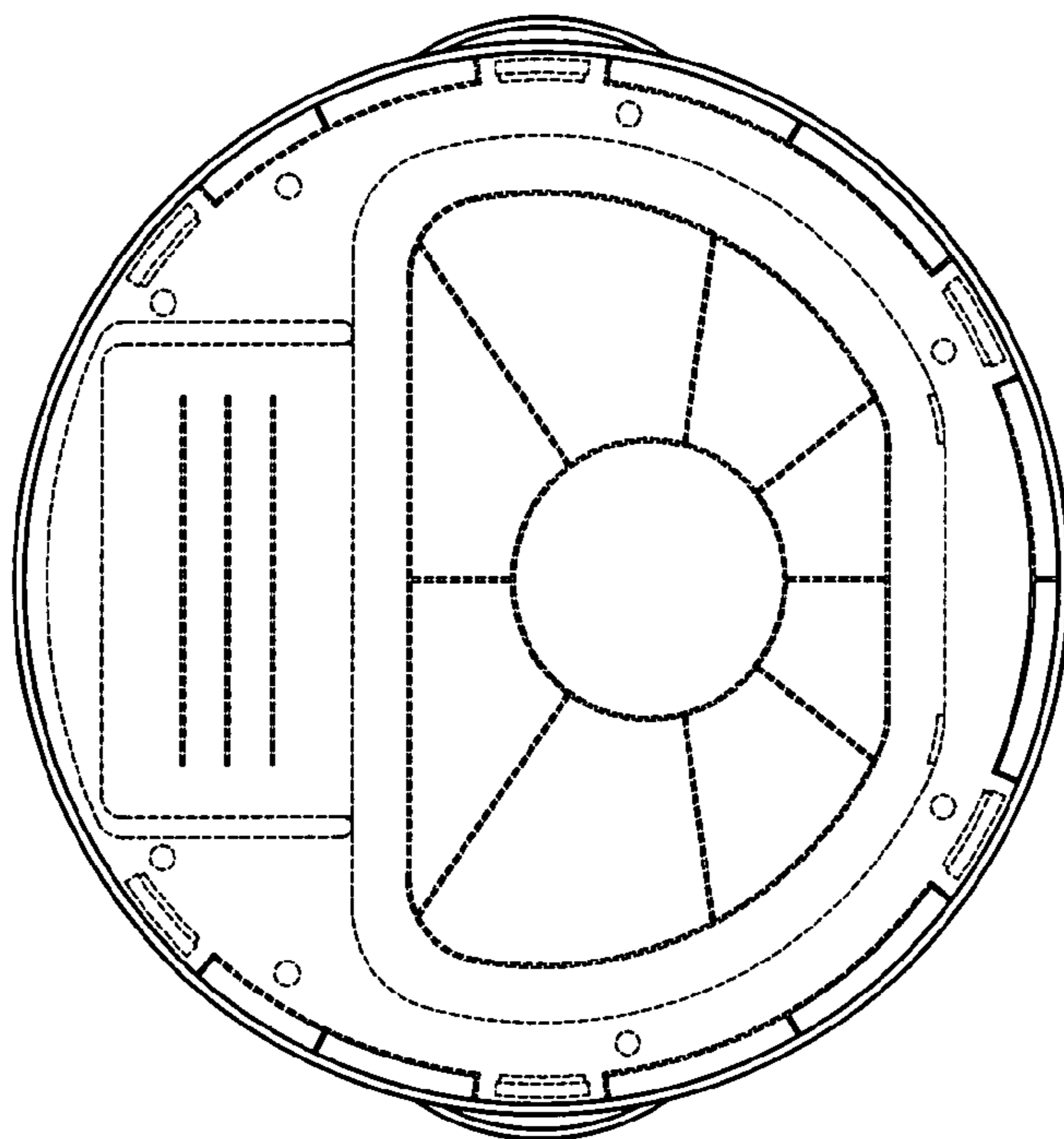


FIG. 7

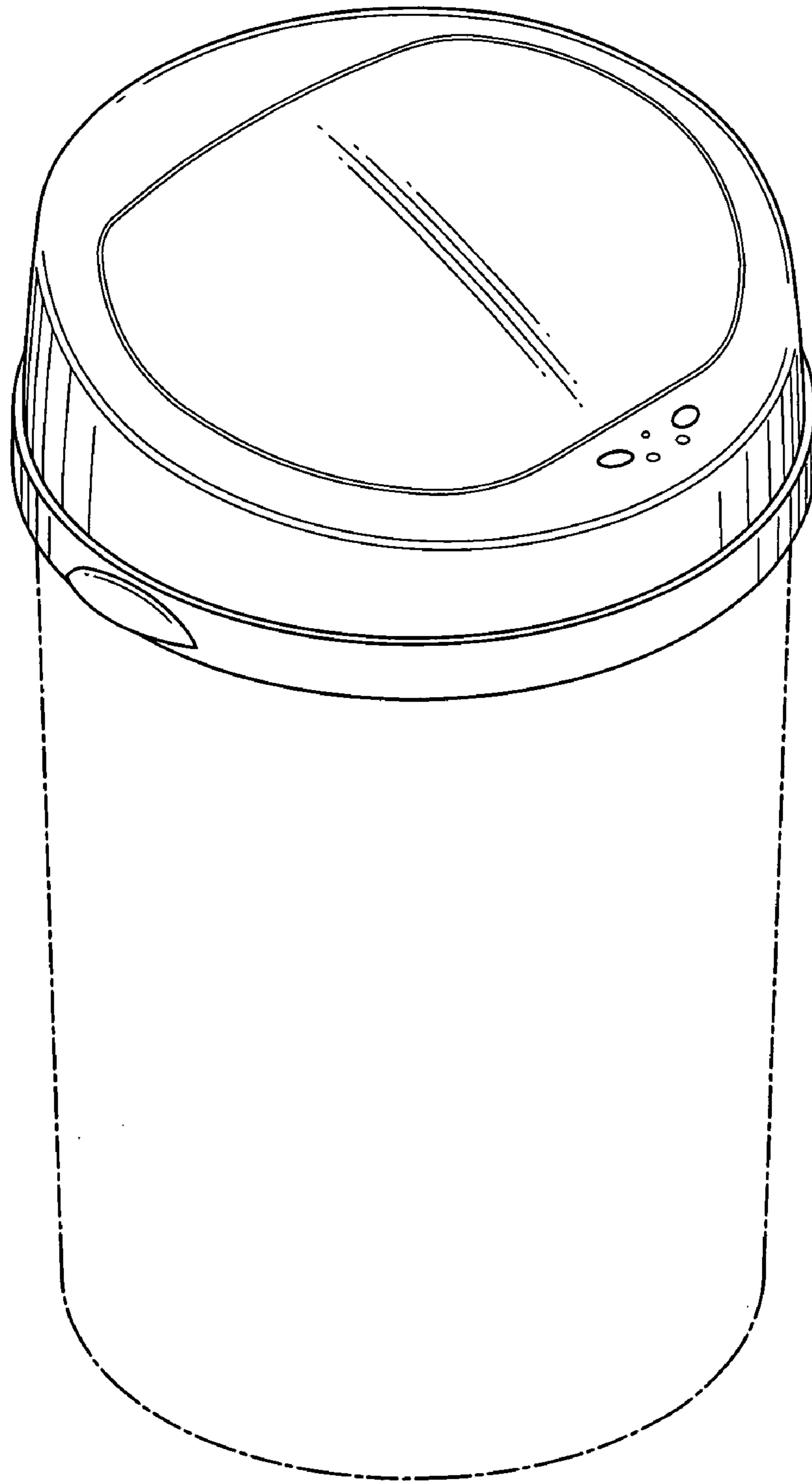


FIG. 8