



US00D566362S

(12) **United States Design Patent**
Peet

(10) **Patent No.:** **US D566,362 S**

(45) **Date of Patent:** **** Apr. 8, 2008**

(54) **HEADGEAR DRYER**

5,632,099 A * 5/1997 Seifert et al. 34/106
D447,804 S * 9/2001 Stevens D24/180

(75) Inventor: **Blair G. Peet**, St Maries, ID (US)

* cited by examiner

(73) Assignee: **Peet Shoe Dryer, Inc.**, St. Maries, ID (US)

Primary Examiner—Pamela J. Burgess
(74) *Attorney, Agent, or Firm*—Wells St. John P.S.

(**) Term: **14 Years**

(57) **CLAIM**

(21) Appl. No.: **29/271,270**

I claim the ornamental design for a headgear dryer, as shown and described.

(22) Filed: **Jan. 12, 2007**

(51) **LOC (8) Cl.** **07-05**

(52) **U.S. Cl.** **D32/58**

(58) **Field of Classification Search** D32/59,
D32/73, 35; D24/147, 227, 128, 176–177,
D24/180–181; 433/5, 9, 77

See application file for complete search history.

DESCRIPTION

FIG. 1 is a rear perspective view of the headgear dryer invention;

FIG. 2 is a front perspective view of the invention;

FIG. 3 is a rear elevation view of the invention;

FIG. 4 is a front elevation view of the invention;

FIG. 5 is a first side elevation view of the invention;

FIG. 6 is a second side elevation view of the invention;

FIG. 7 is a top view of the invention; and,

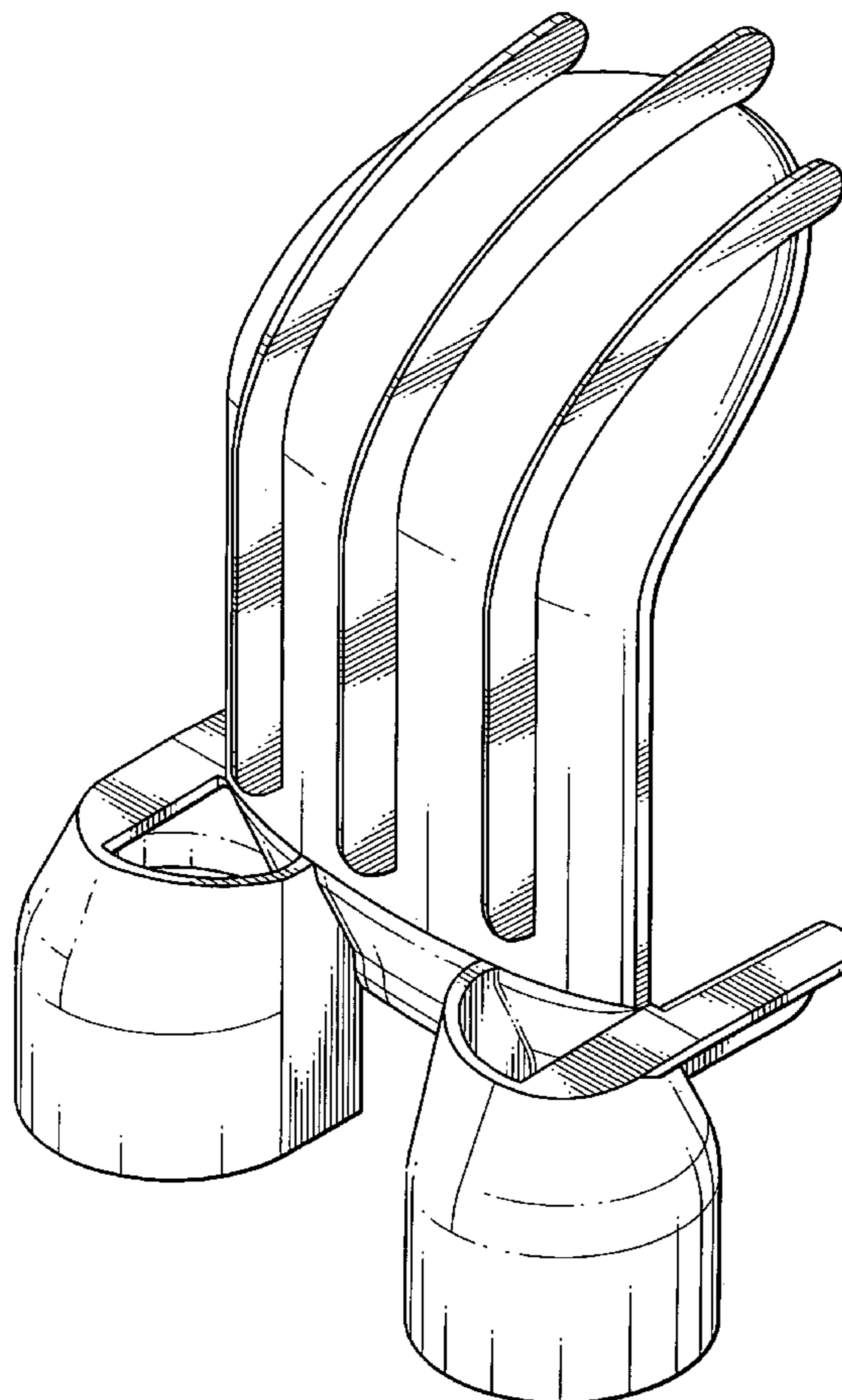
FIG. 8 is bottom view of the invention.

(56) **References Cited**

U.S. PATENT DOCUMENTS

D194,512 S * 2/1963 Donaldson D32/58
D206,677 S * 1/1967 Gunn D32/58
D290,504 S * 6/1987 Collins, Jr. D24/180
D319,873 S * 9/1991 Rouse D24/147

1 Claim, 8 Drawing Sheets



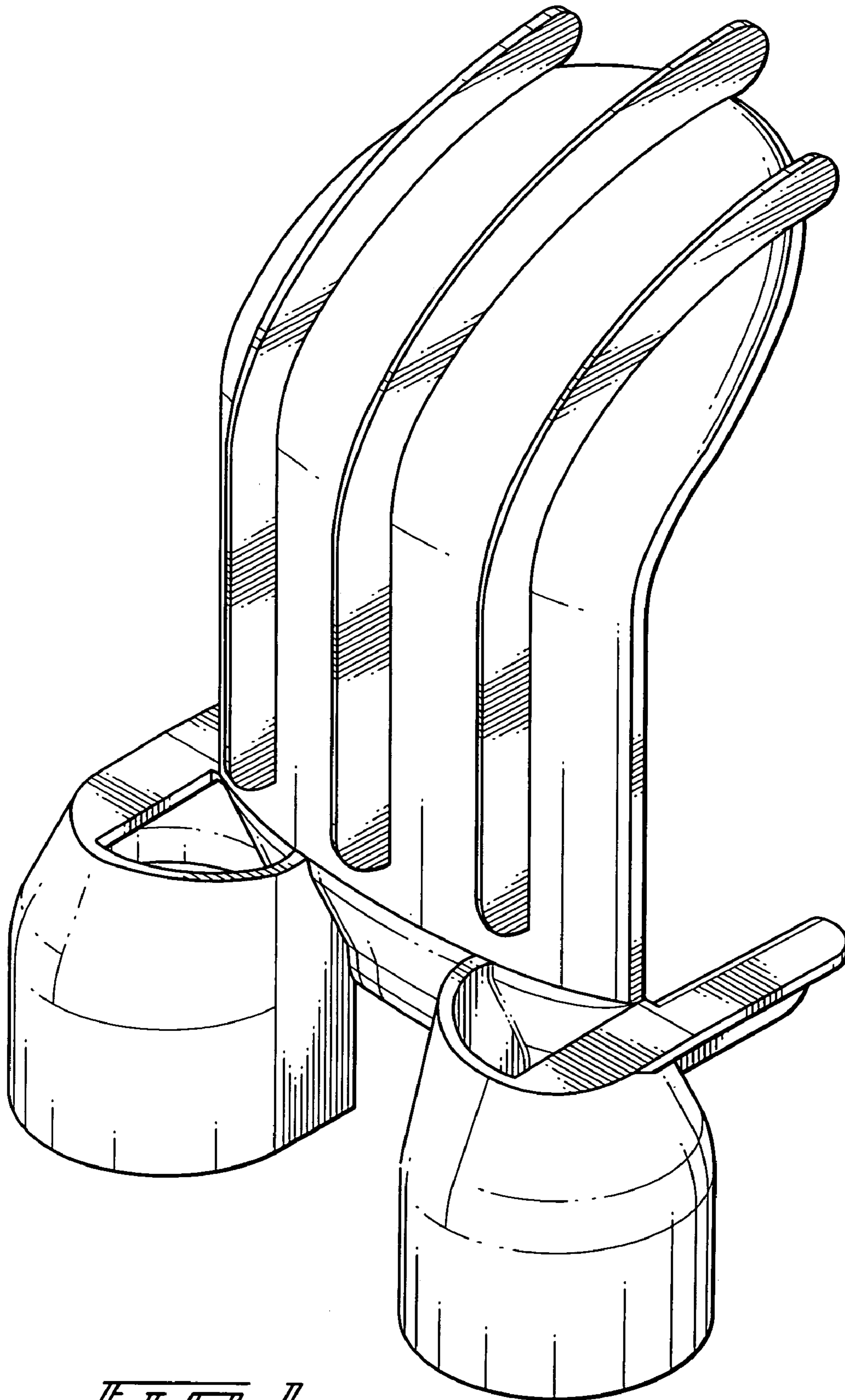


FIG. 1

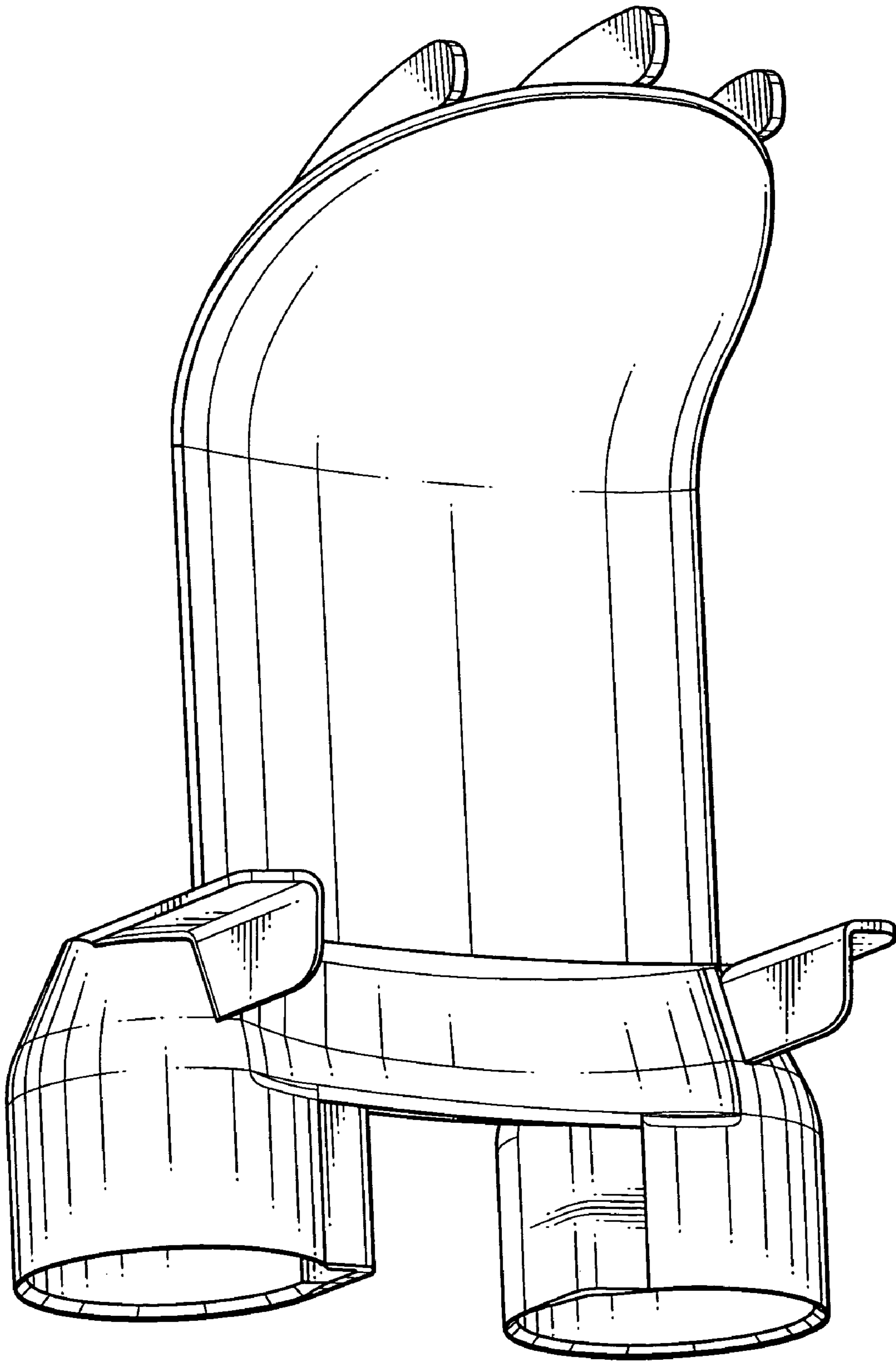


FIG. 2

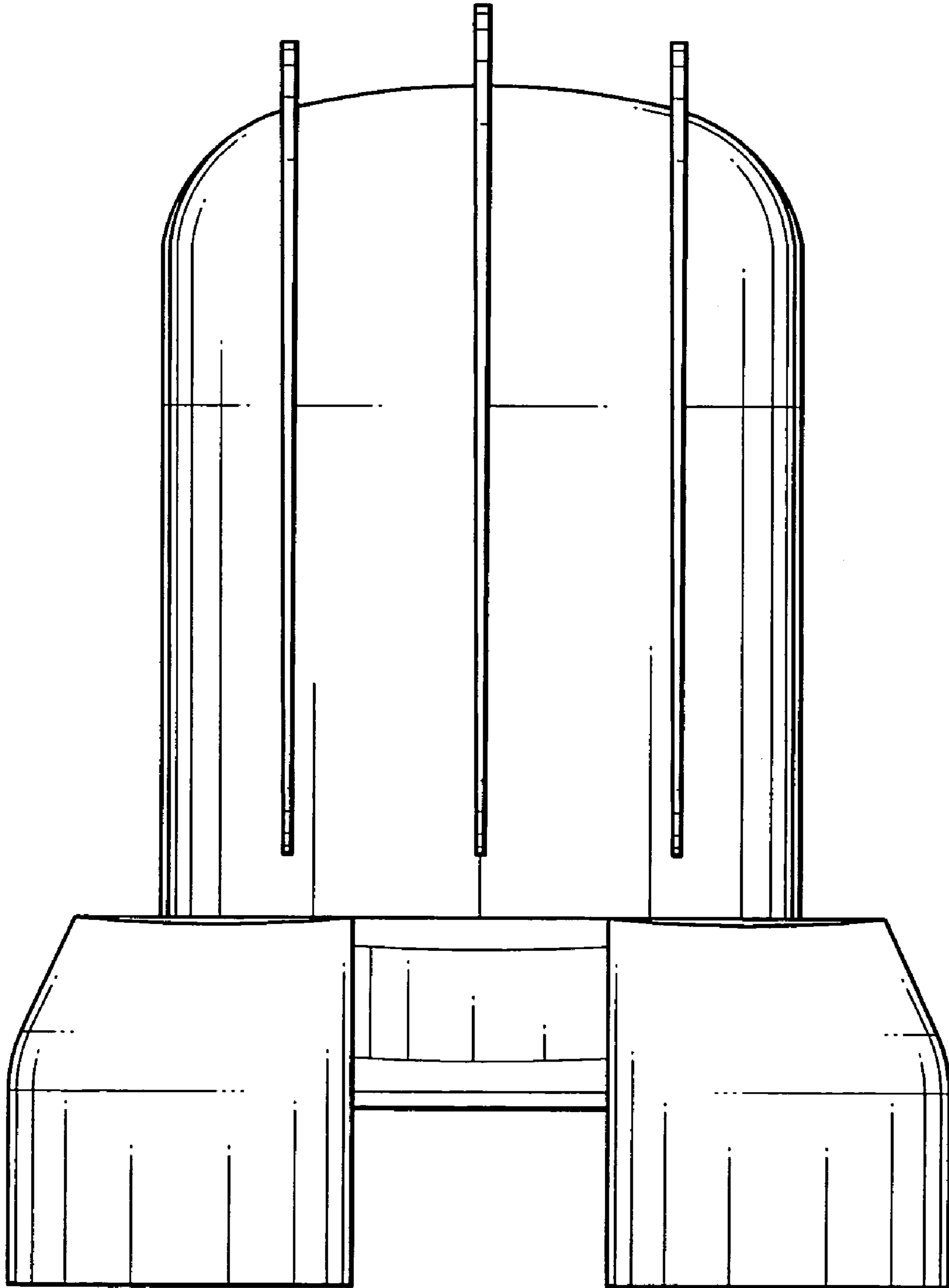


FIG. 3

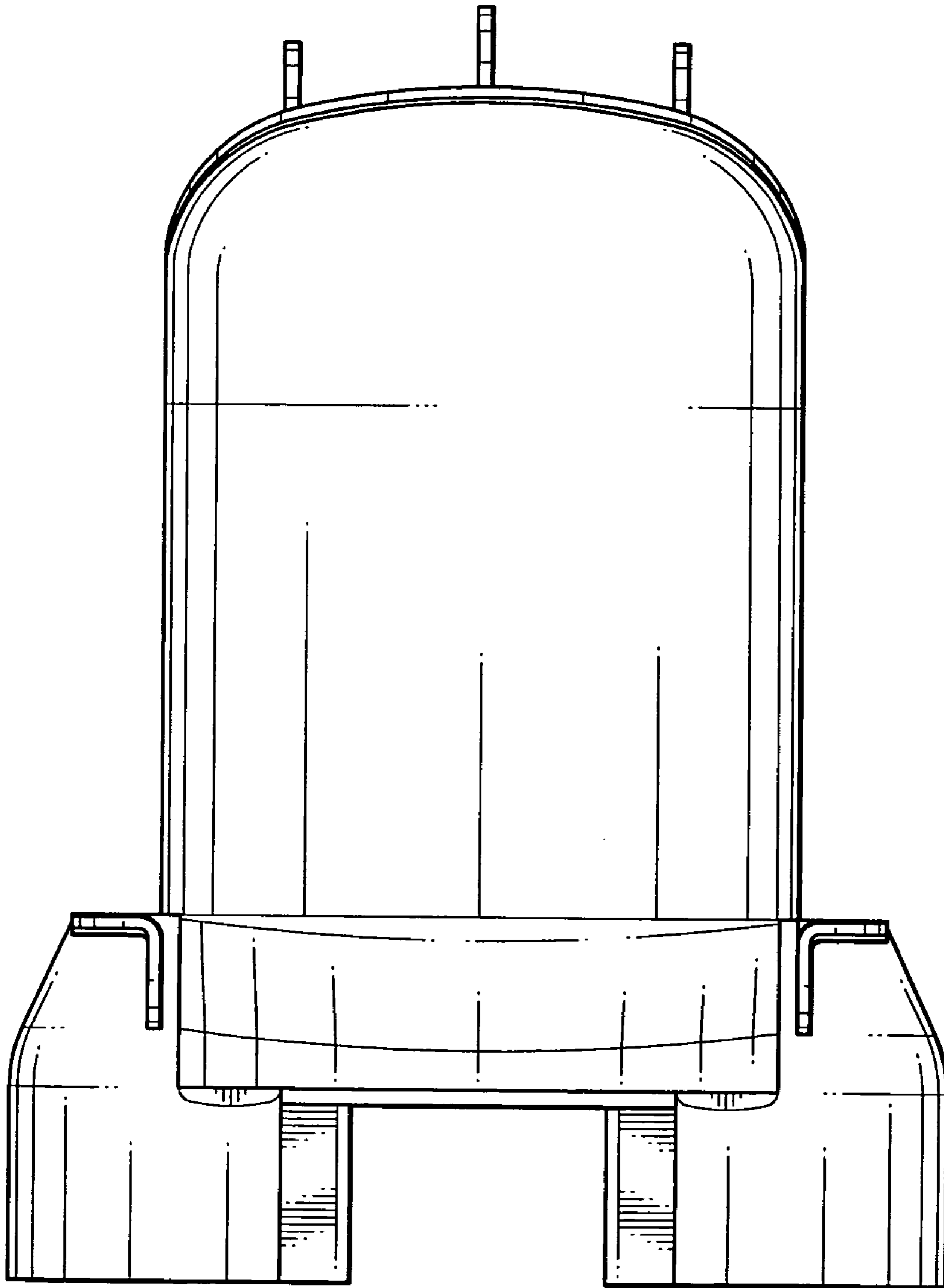


Fig. 4

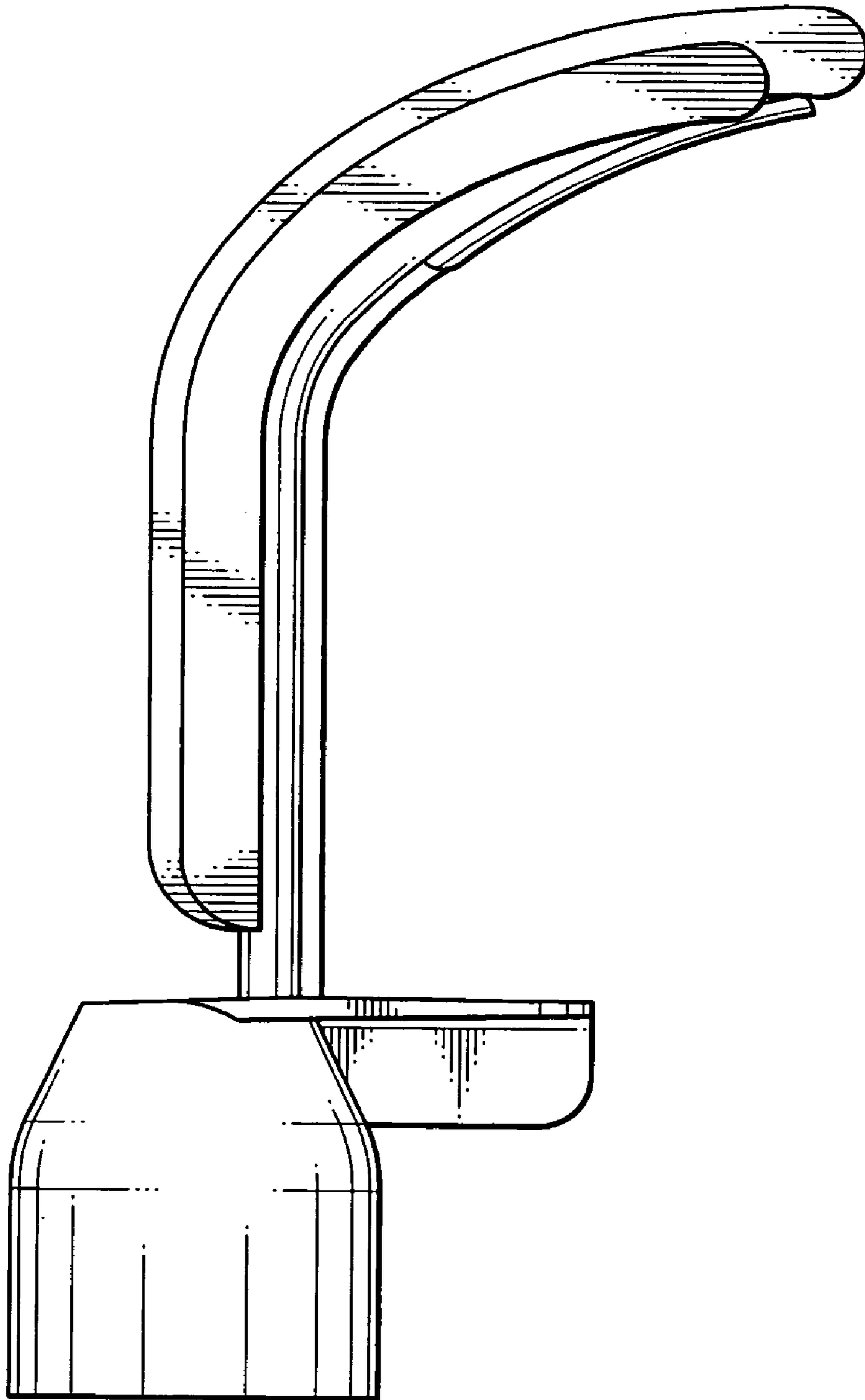


FIG. 5

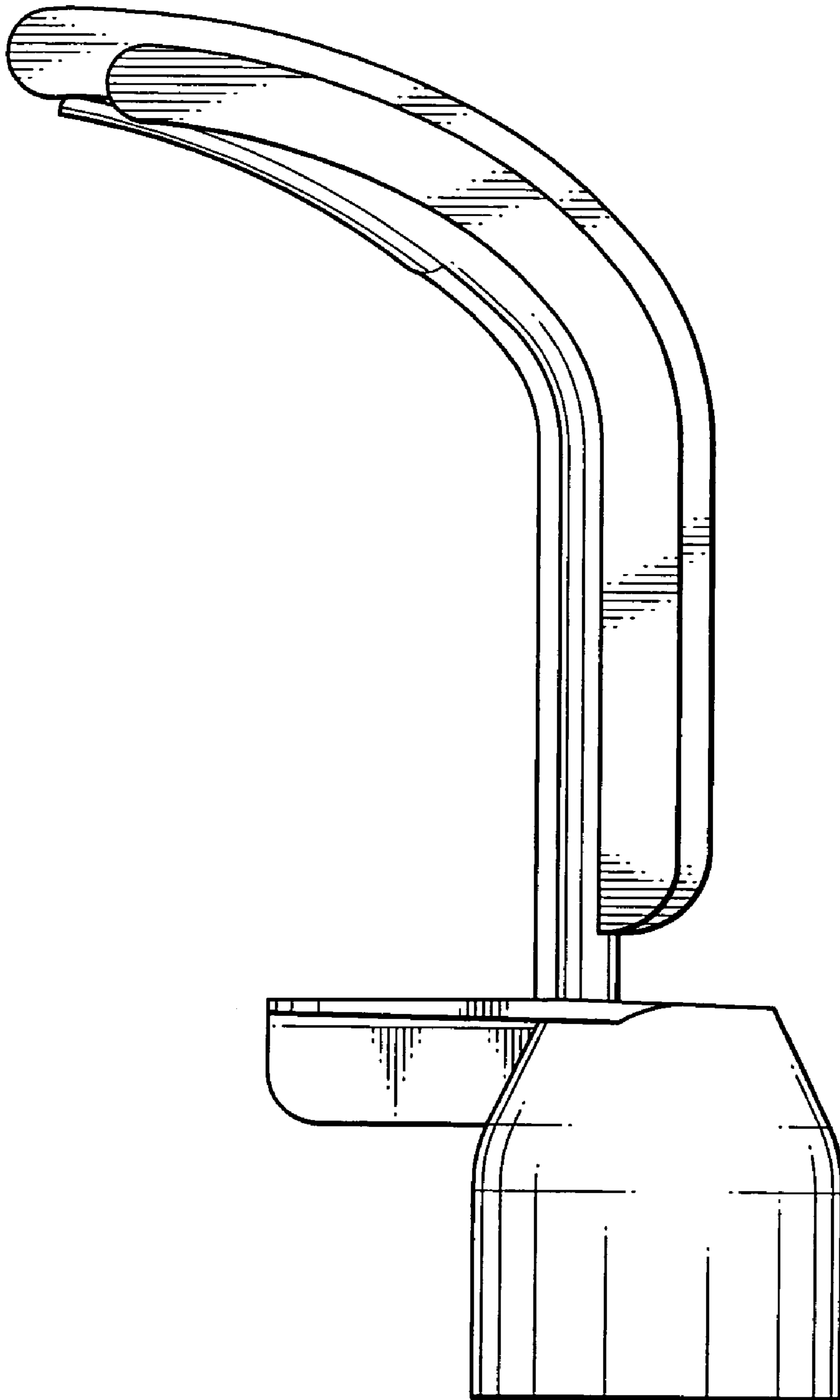


FIG. 6

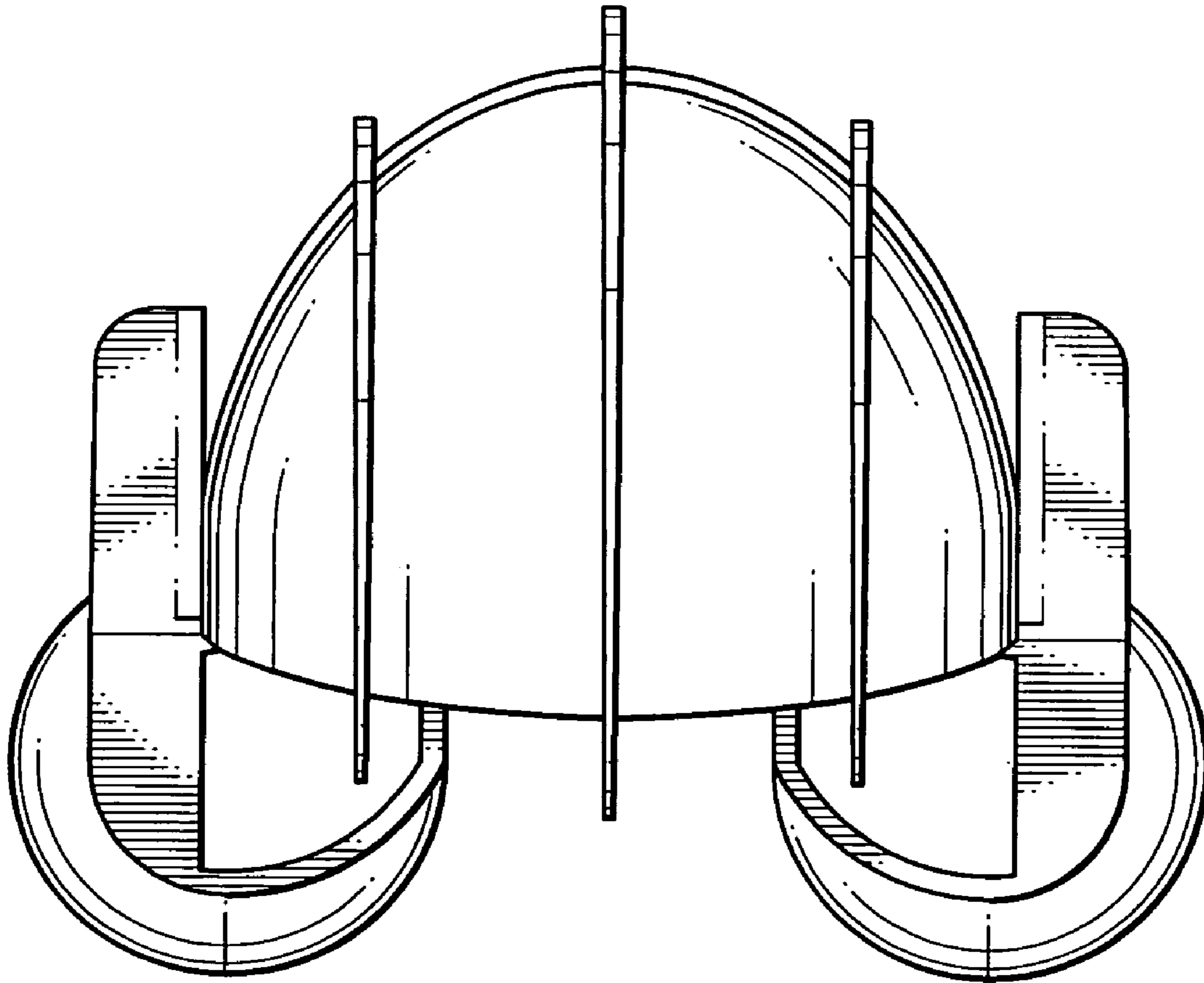


FIG. 7

