



US00D566359S

(12) **United States Design Patent**
Houghton

(10) **Patent No.:** **US D566,359 S**

(45) **Date of Patent:** **** Apr. 8, 2008**

(54) **HANDLE FOR A VACUUM CLEANER WAND WITH ACCESSORY TOOL HOLDER**

(75) Inventor: **Stephen Houghton**, High West
Jesmond (GB)

(73) Assignee: **Black & Decker Inc.**, Newark, DE
(US)

(**) Term: **14 Years**

(21) Appl. No.: **29/263,245**

(22) Filed: **Jul. 19, 2006**

(30) **Foreign Application Priority Data**

Feb. 6, 2006 (EM) 000474689

(51) **LOC (8) Cl.** **15-05**

(52) **U.S. Cl.** **D32/34**

(58) **Field of Classification Search** 15/320-323,
15/350-351, 361, 410-411, 340.4, 90, 246.2,
15/DIG. 10; D32/21-23, 31-34, 38-39;
D8/107; 174/46; 285/7; 439/191; 55/DIG. 3
See application file for complete search history.

(56) **References Cited**

U.S. PATENT DOCUMENTS

D237,036 S *	10/1975	Neceda	D32/31
4,915,640 A *	4/1990	Hayden	439/191
D333,023 S *	2/1993	Herron, Jr.	D32/34
D334,447 S *	3/1993	Rohn	D32/34
5,551,731 A *	9/1996	Gray et al.	285/7
5,625,920 A *	5/1997	Bores et al.	15/322
D406,422 S *	3/1999	Burchard et al.	D32/34
D431,335 S *	9/2000	Mehaffey et al.	D32/34

6,286,182 B1 *	9/2001	Mulder et al.	15/323
D488,271 S *	4/2004	Schroter	D32/31
D494,332 S *	8/2004	Schroter	D32/34
D494,333 S *	8/2004	Schroter	D32/34
D522,199 S *	5/2006	Cunningham et al.	D32/34
D543,325 S *	5/2007	Burnham	D32/34
2004/0134017 A1 *	7/2004	Kess	15/323

* cited by examiner

Primary Examiner—Sandra Snapp

(74) *Attorney, Agent, or Firm*—John Yun; Bruce S. Shapiro;
Wesley Muller

(57) **CLAIM**

The ornamental design for a handle for a vacuum cleaner wand with accessory tool holder, as shown and described.

DESCRIPTION

FIG. 1 is a front view of a handle for a vacuum cleaner wand with accessory tool holder showing my new design;

FIG. 2 is a rear view of a handle for a vacuum cleaner wand with accessory tool holder according to FIG. 1;

FIG. 3 is a right side view of a handle for a vacuum cleaner wand with accessory tool holder according to FIG. 1;

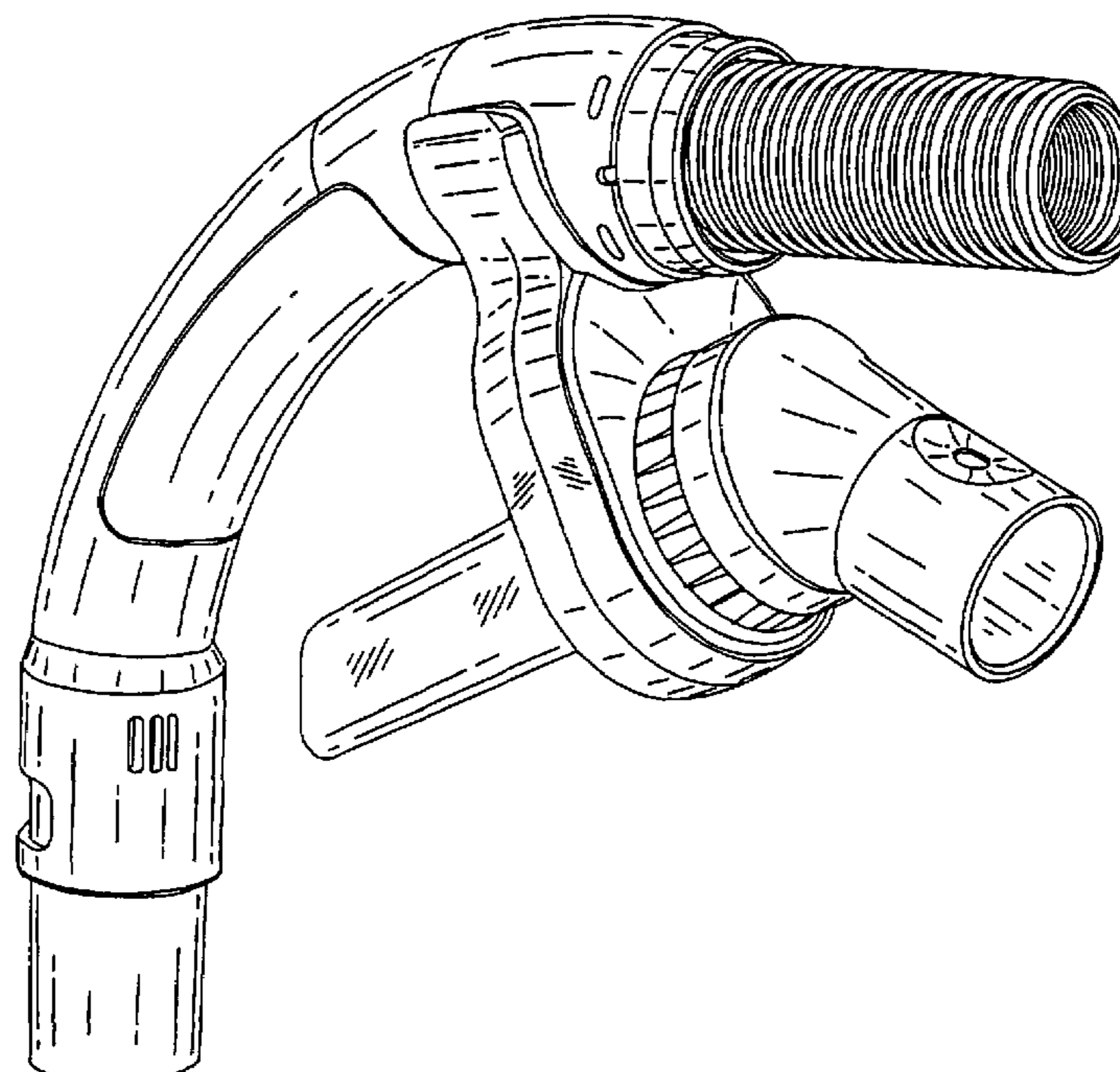
FIG. 4 is a left side view of a handle for a vacuum cleaner wand with accessory tool holder according to FIG. 1;

FIG. 5 is a top view of a handle for a vacuum cleaner wand with accessory tool holder according to FIG. 1;

FIG. 6 is a bottom view of a handle for a vacuum cleaner wand with accessory tool holder according to FIG. 1; and,

FIG. 7 is a perspective view of a handle for a vacuum cleaner wand with accessory tool holder according to FIG. 1.

1 Claim, 5 Drawing Sheets



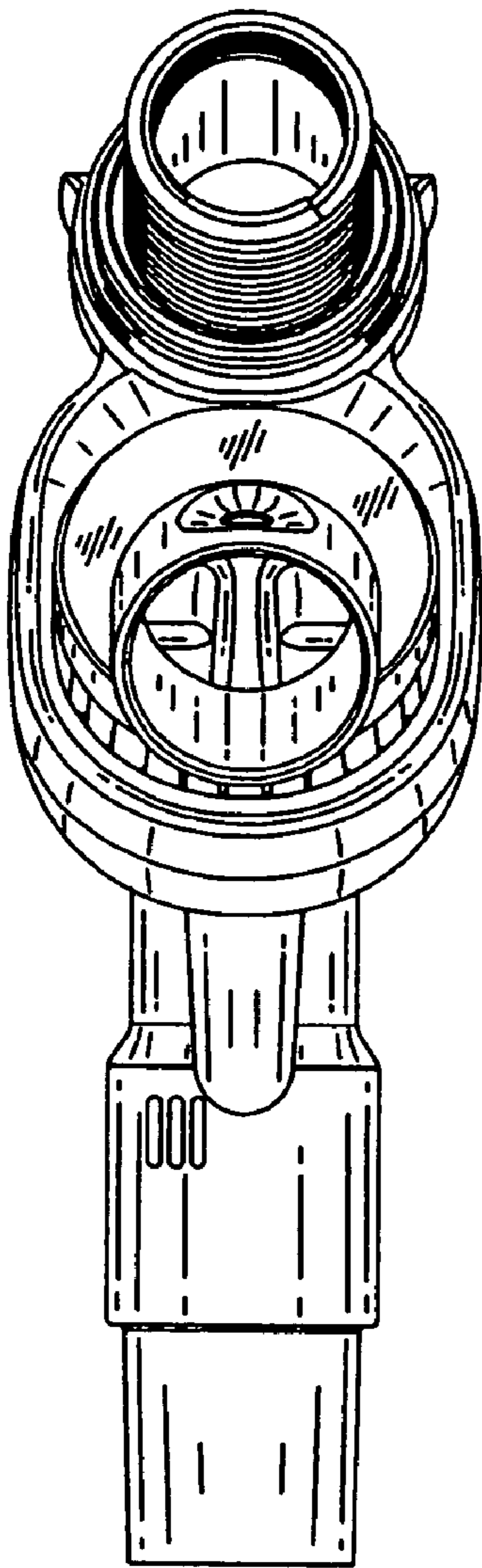


FIG.1

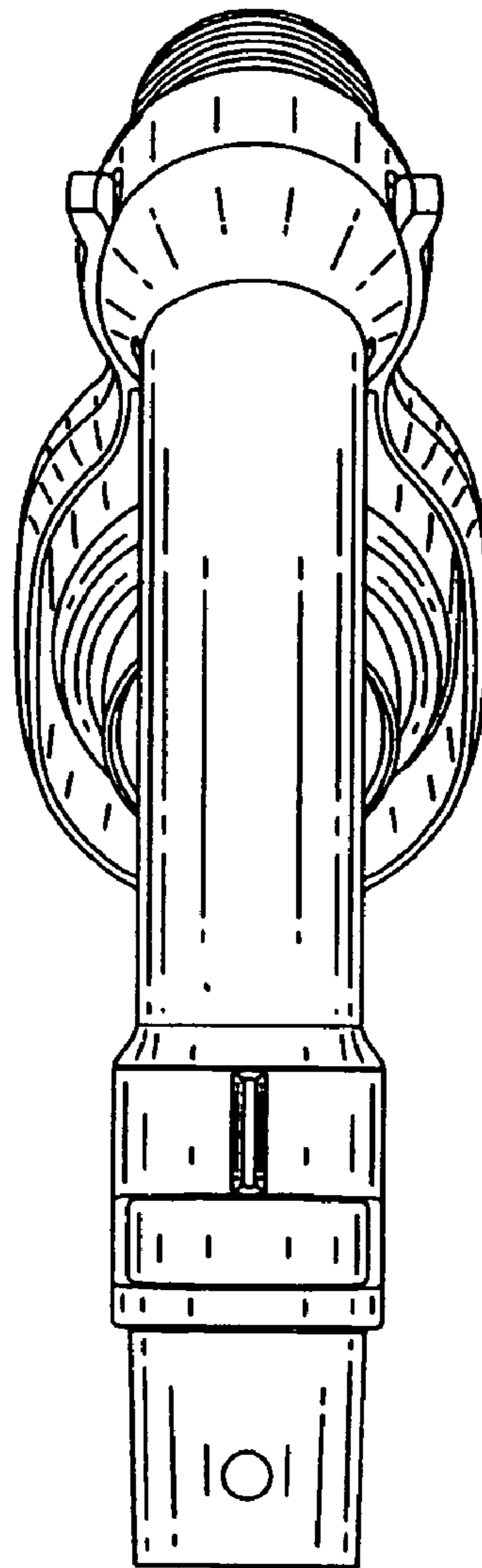


FIG.2

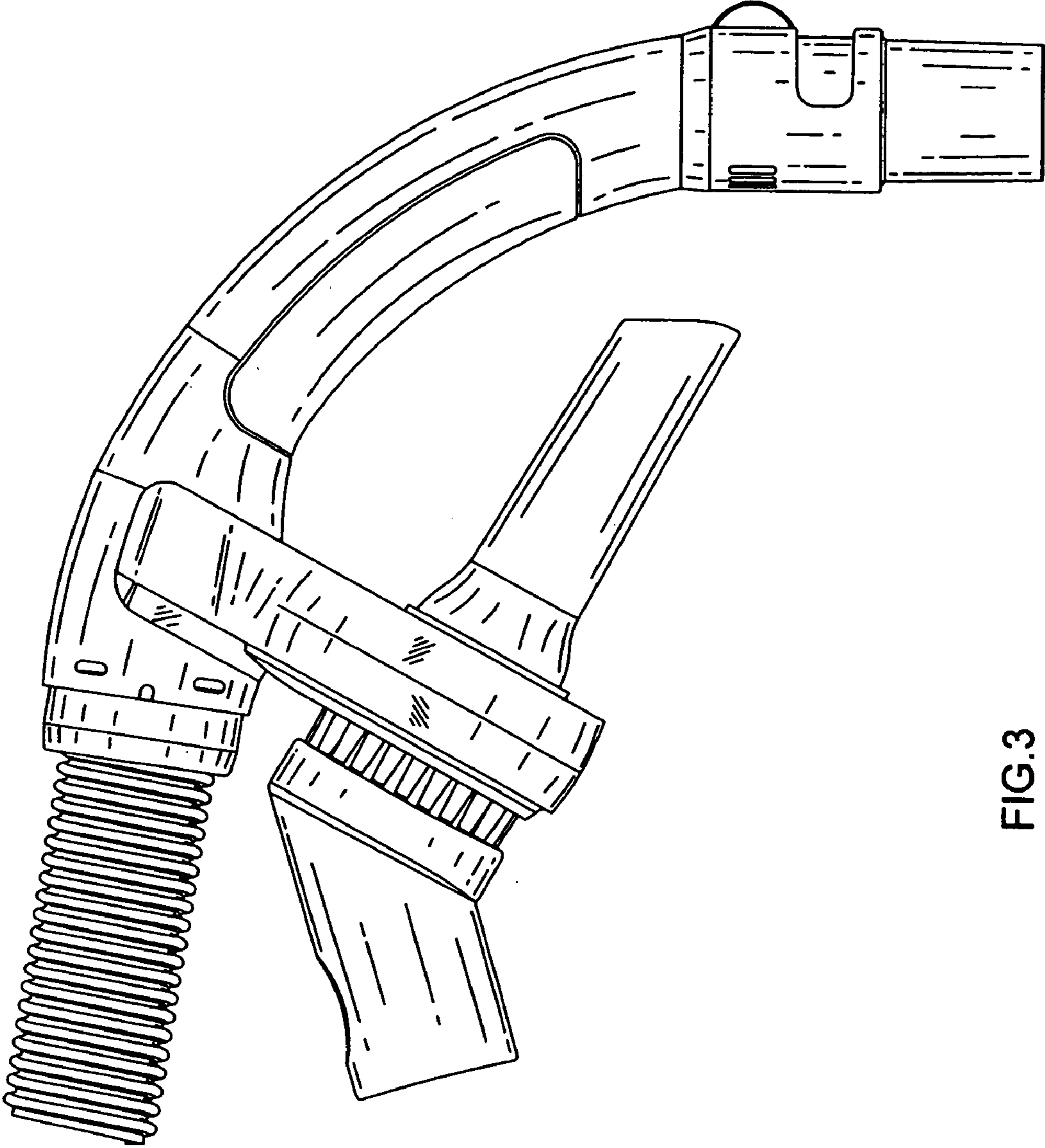


FIG.3

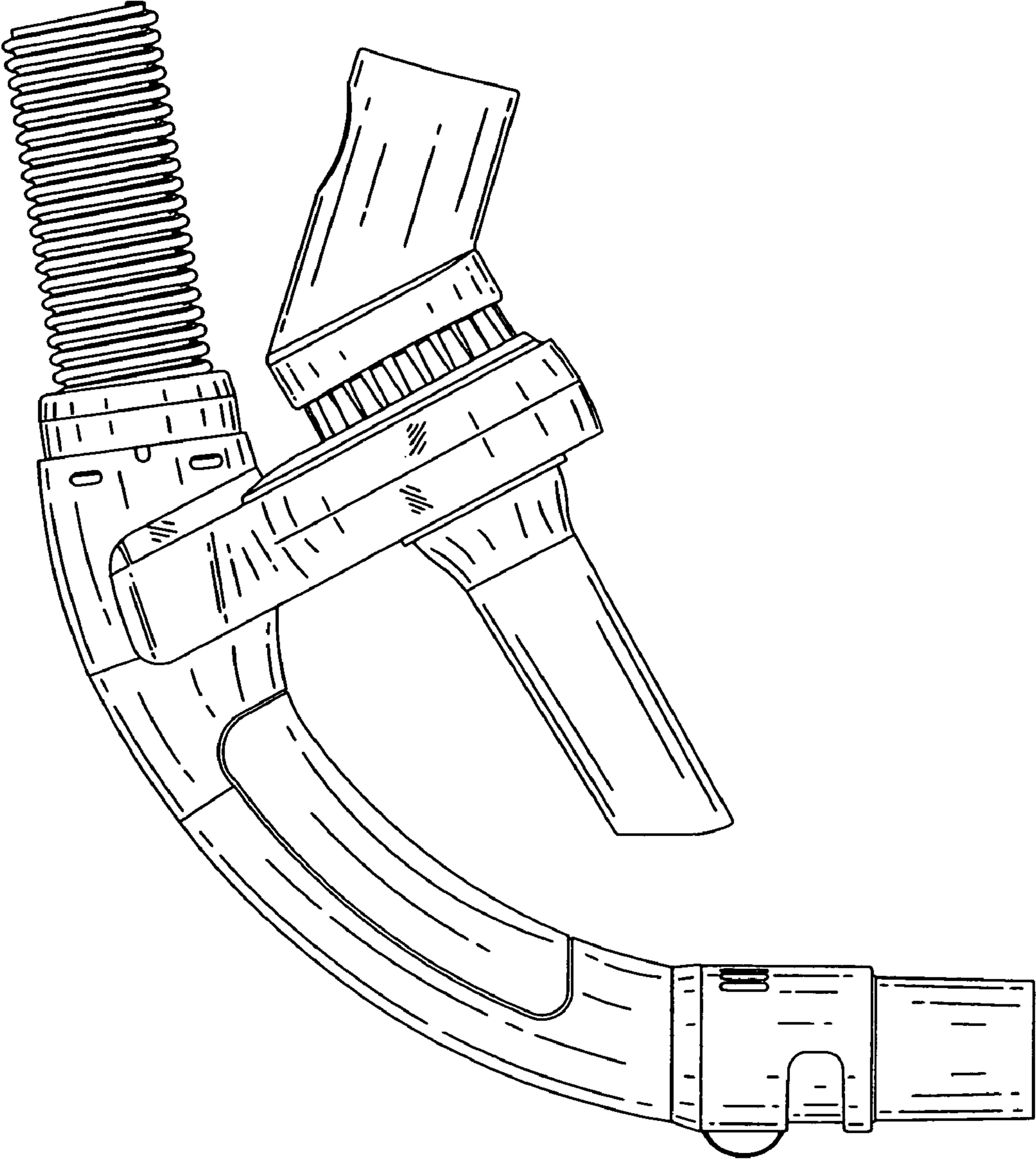


FIG.4

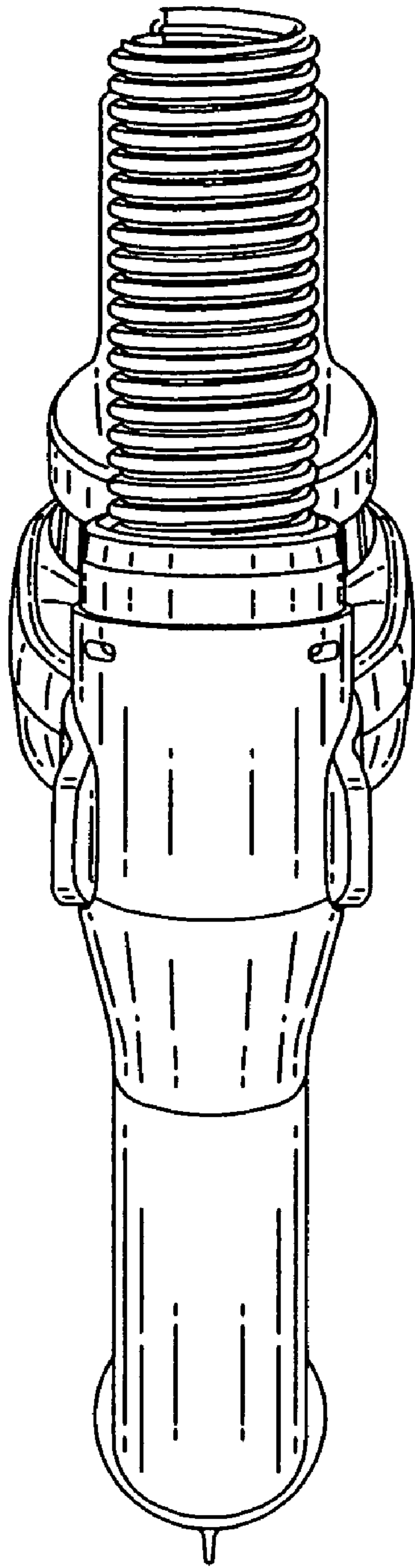


FIG. 5

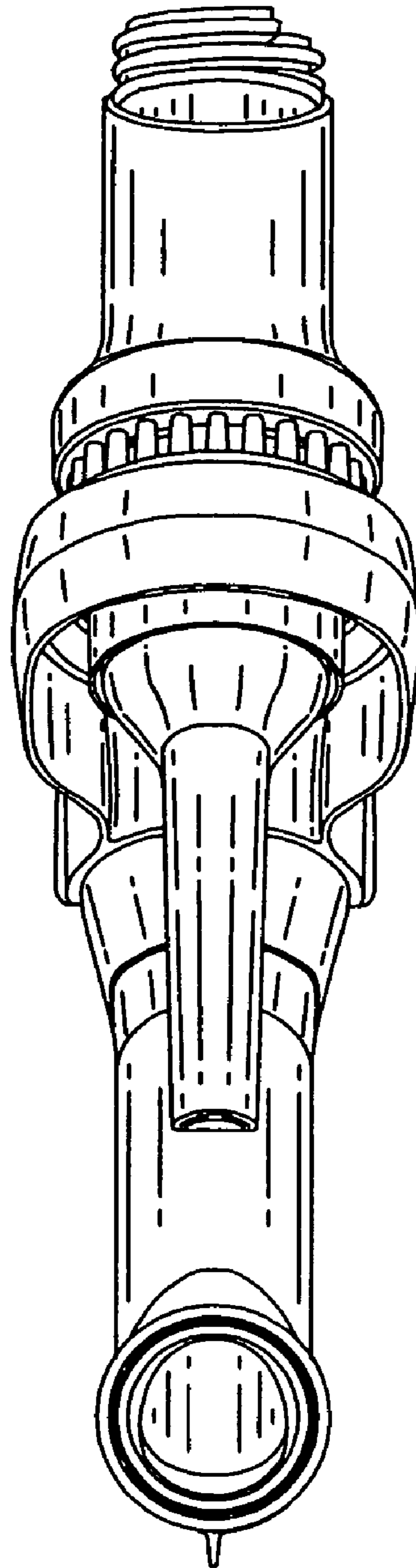


FIG. 6

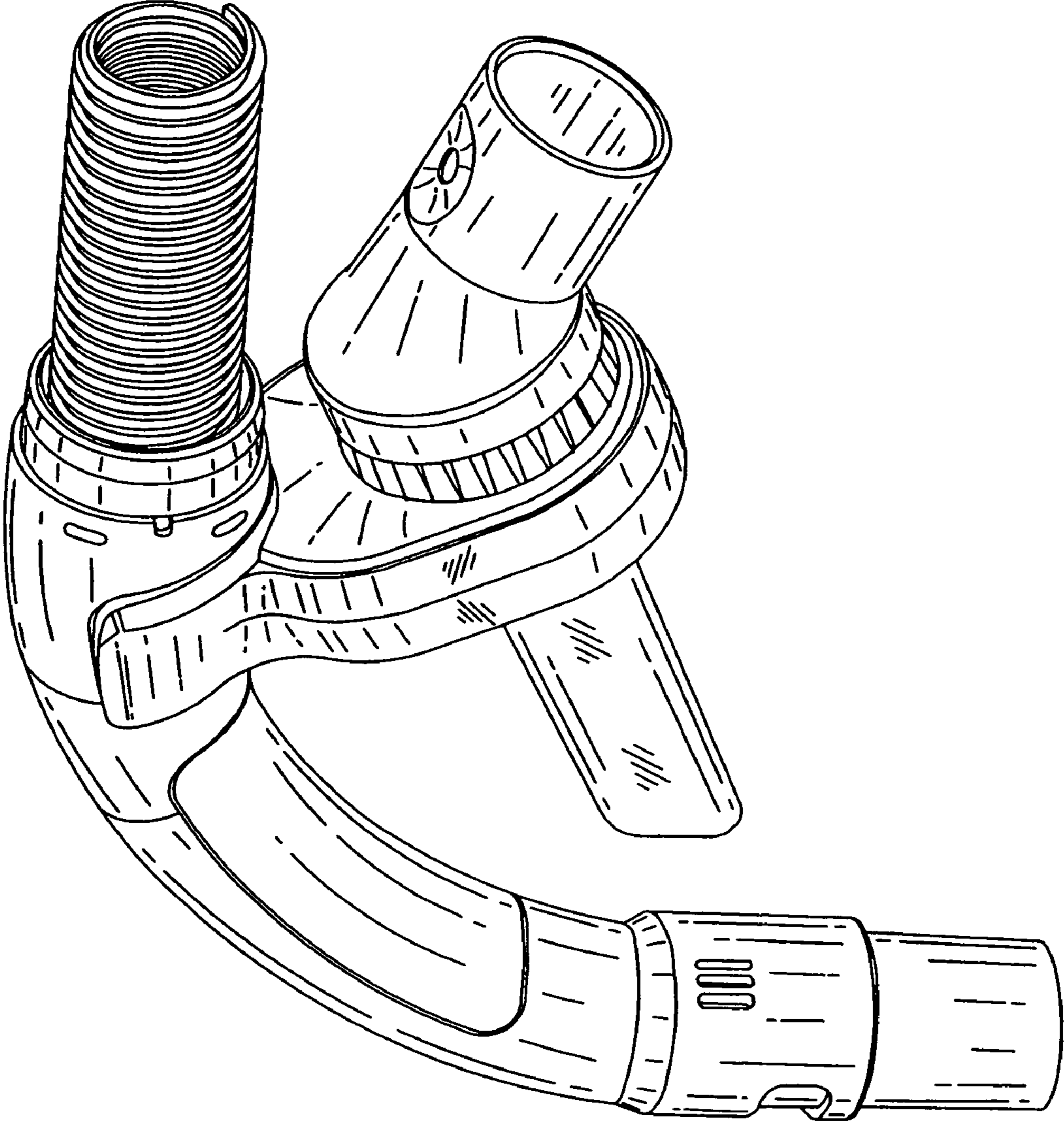


FIG.7