



US00D566358S

(12) **United States Design Patent**
Santiago

(10) **Patent No.:** **US D566,358 S**

(45) **Date of Patent:** **** Apr. 8, 2008**

(54) **CLEANING TOOL**

D507,854 S * 7/2005 Kim D32/32
D518,932 S * 4/2006 Maruyama et al. D32/32

(75) Inventor: **Jose Carlito Santiago**, Grand Rapids,
MI (US)

* cited by examiner

(73) Assignee: **Bissell Homecare, Inc.**, Grand Rapids,
MI (US)

Primary Examiner—Sandra Snapp
(74) *Attorney, Agent, or Firm*—McGarry Bair PC

(**) Term: **14 Years**

(57) **CLAIM**

(21) Appl. No.: **29/277,786**

The ornamental design for a cleaning tool, as shown and described.

(22) Filed: **Mar. 9, 2007**

DESCRIPTION

(51) **LOC (8) Cl.** **15-05**

FIG. 1 is a front perspective view of the cleaning tool which embodies my design;

(52) **U.S. Cl.** **D32/32**

FIG. 2 is a front view thereof;

(58) **Field of Classification Search** 15/321–322,
15/325, 329, 340.3, 89, 340.4, 90, 344, 361,
15/350–351, 362, 412, 246.2, 250; D32/21–23,
D32/31–34, 38–39

FIG. 3 is a rear view thereof;

See application file for complete search history.

FIG. 4 is a left side view thereof, the right side view thereof being a mirror image of the left side view thereof;

FIG. 5 is a top view thereof; and,

(56) **References Cited**

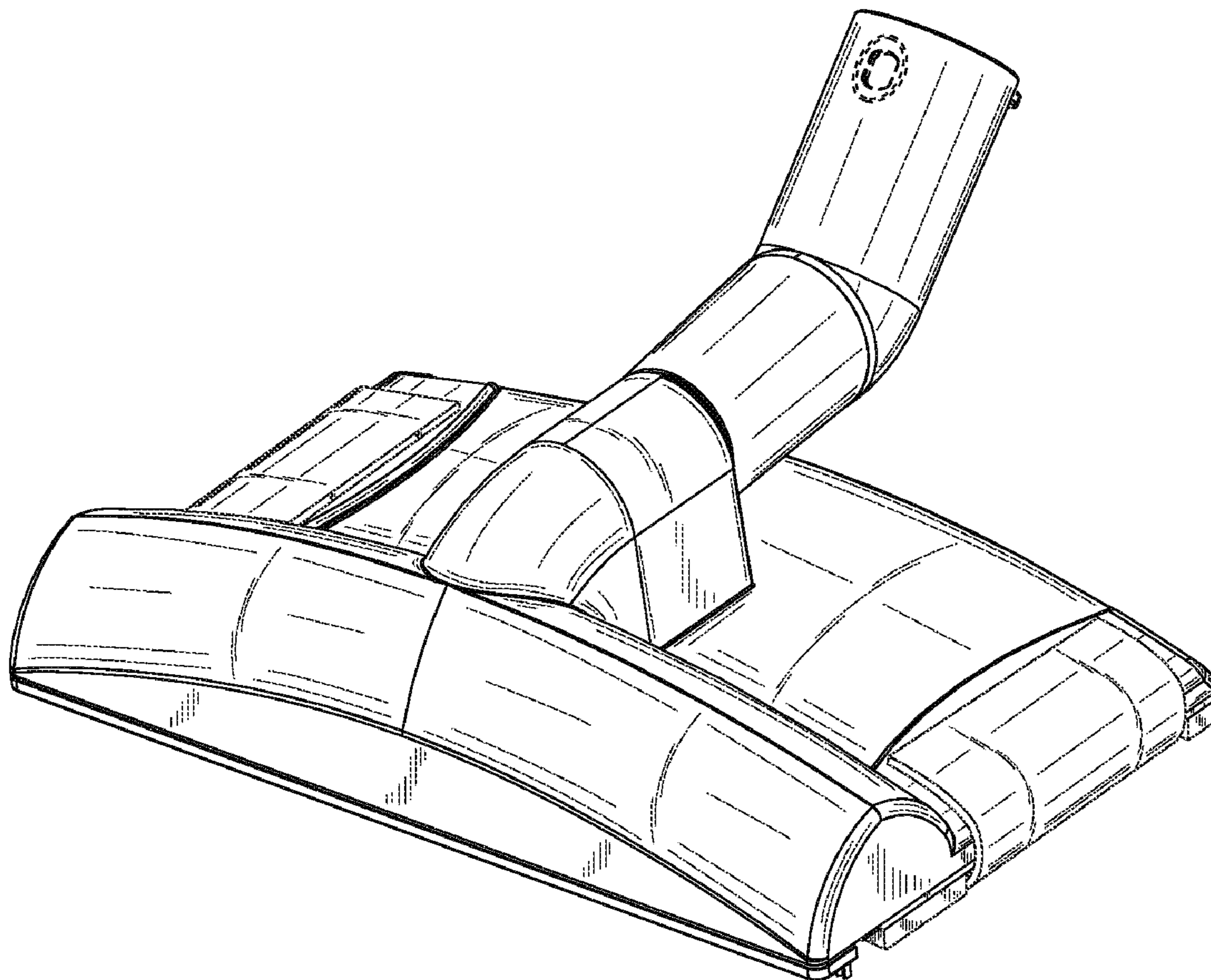
FIG. 6 is a bottom thereof.

U.S. PATENT DOCUMENTS

The broken lines shown in the drawings are for illustrative purposes only and form no part of the claimed design.

D418,267 S * 12/1999 Lin D32/32
D444,277 S * 6/2001 Santiago D32/31
D488,268 S * 4/2004 Chen D32/15

1 Claim, 4 Drawing Sheets



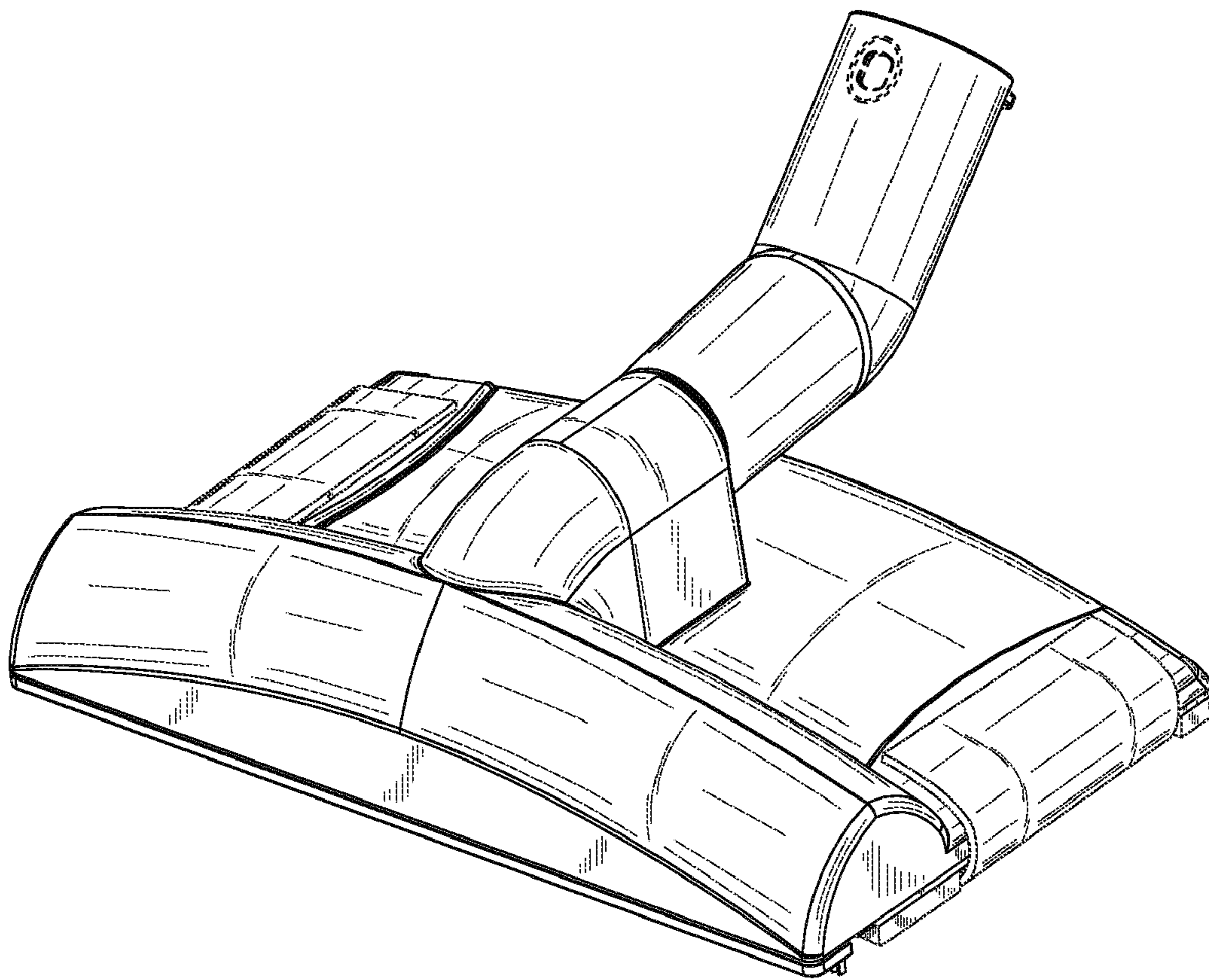


Fig. 1

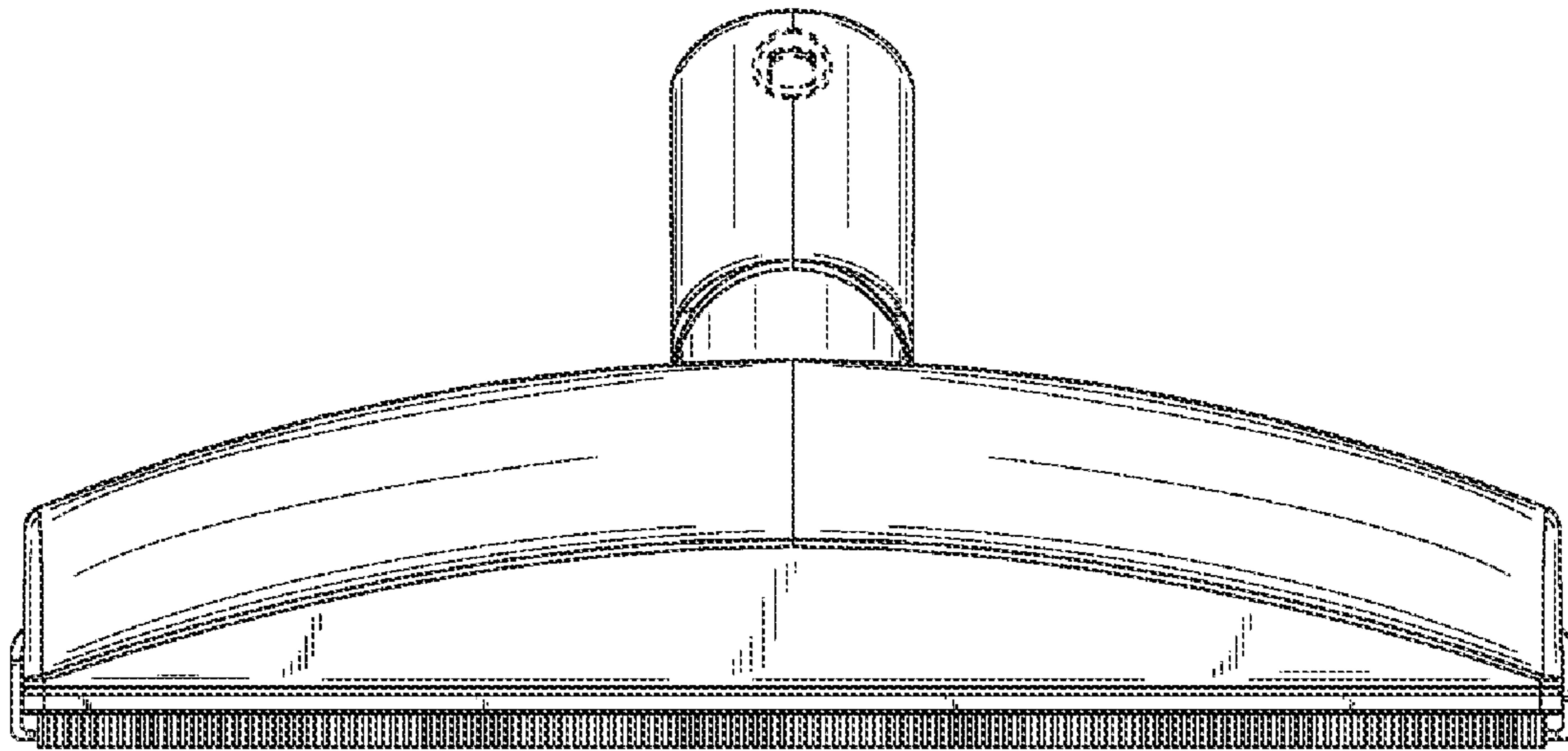


Fig. 2

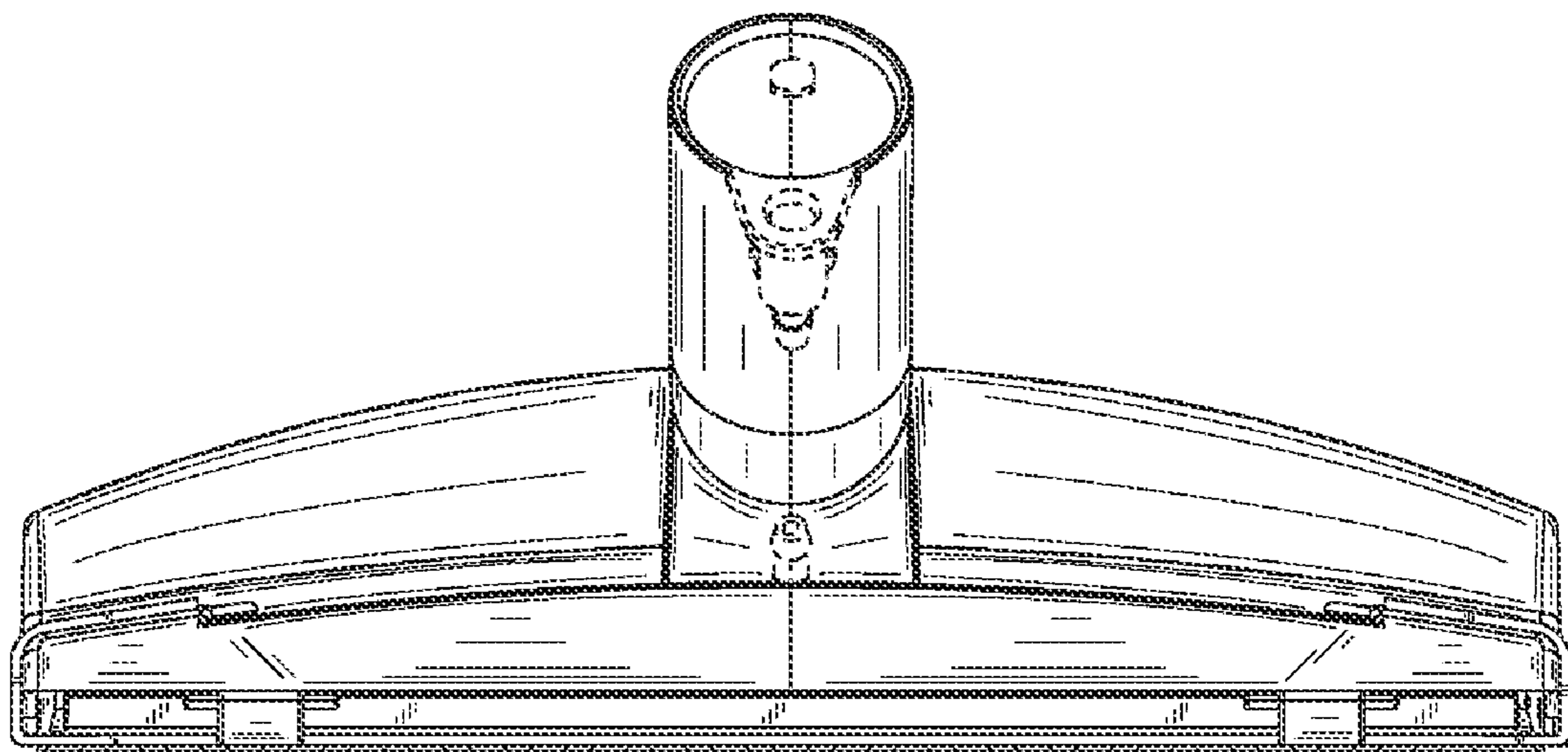


Fig. 3

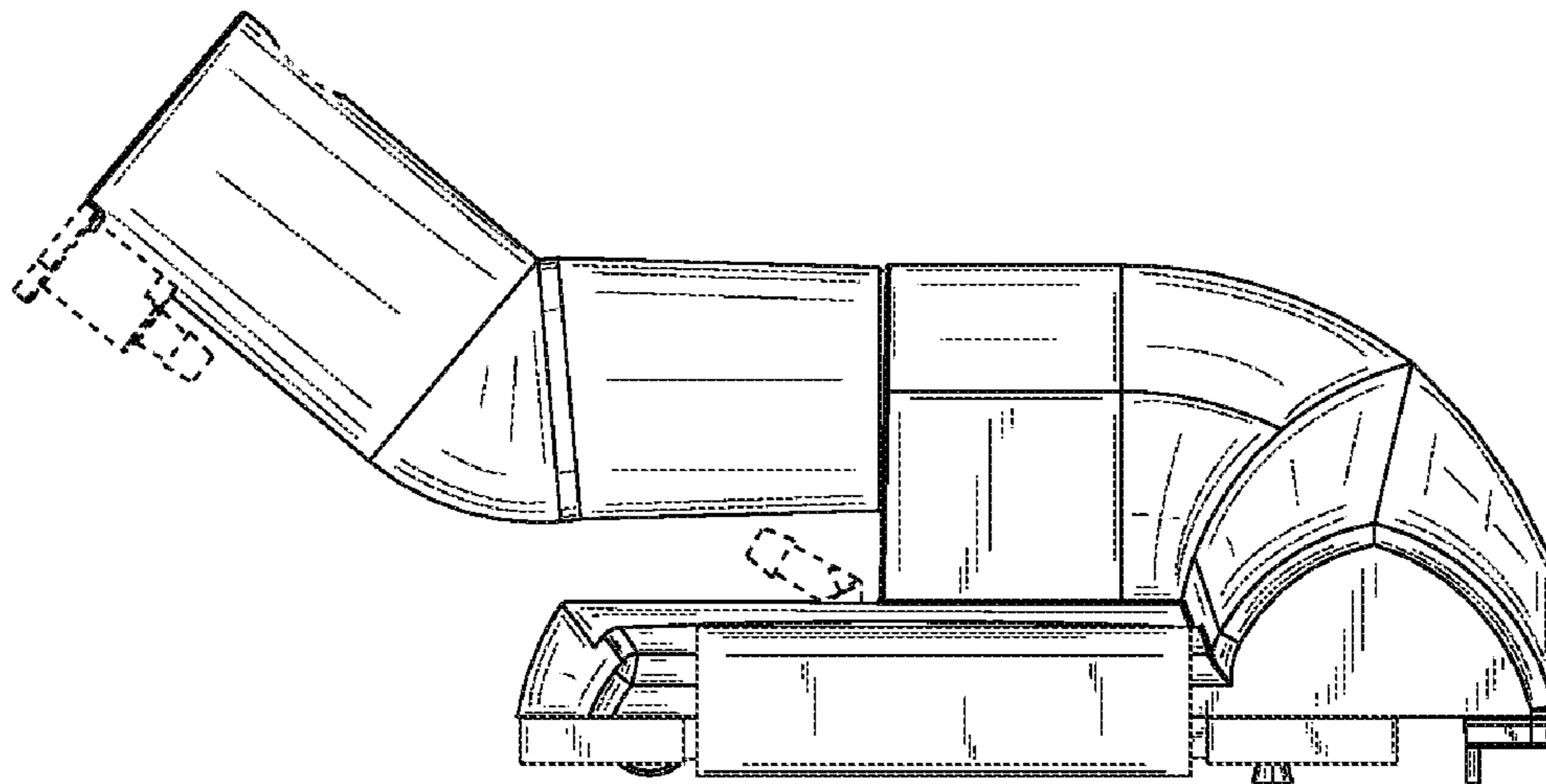


Fig. 4

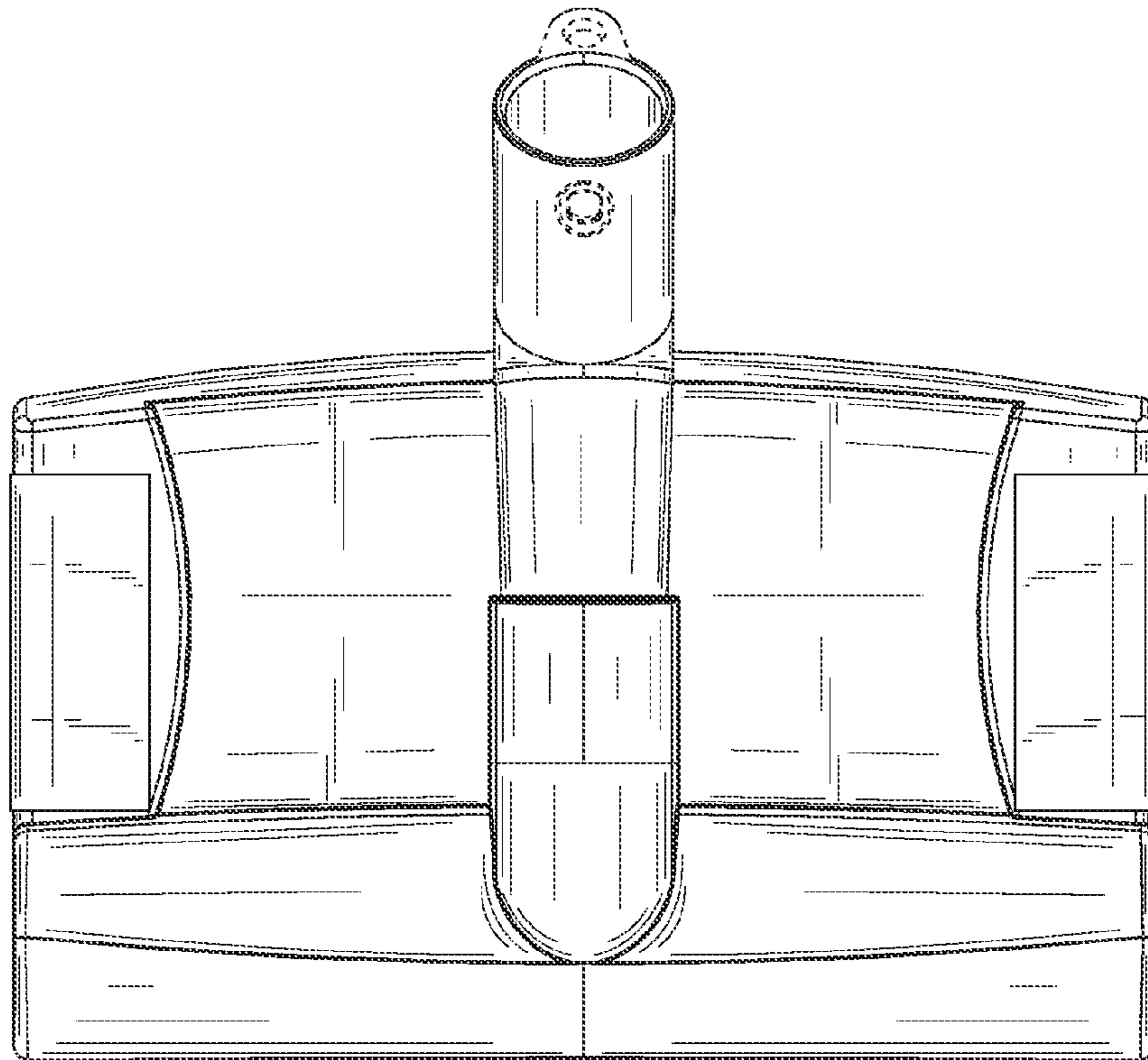


Fig. 5

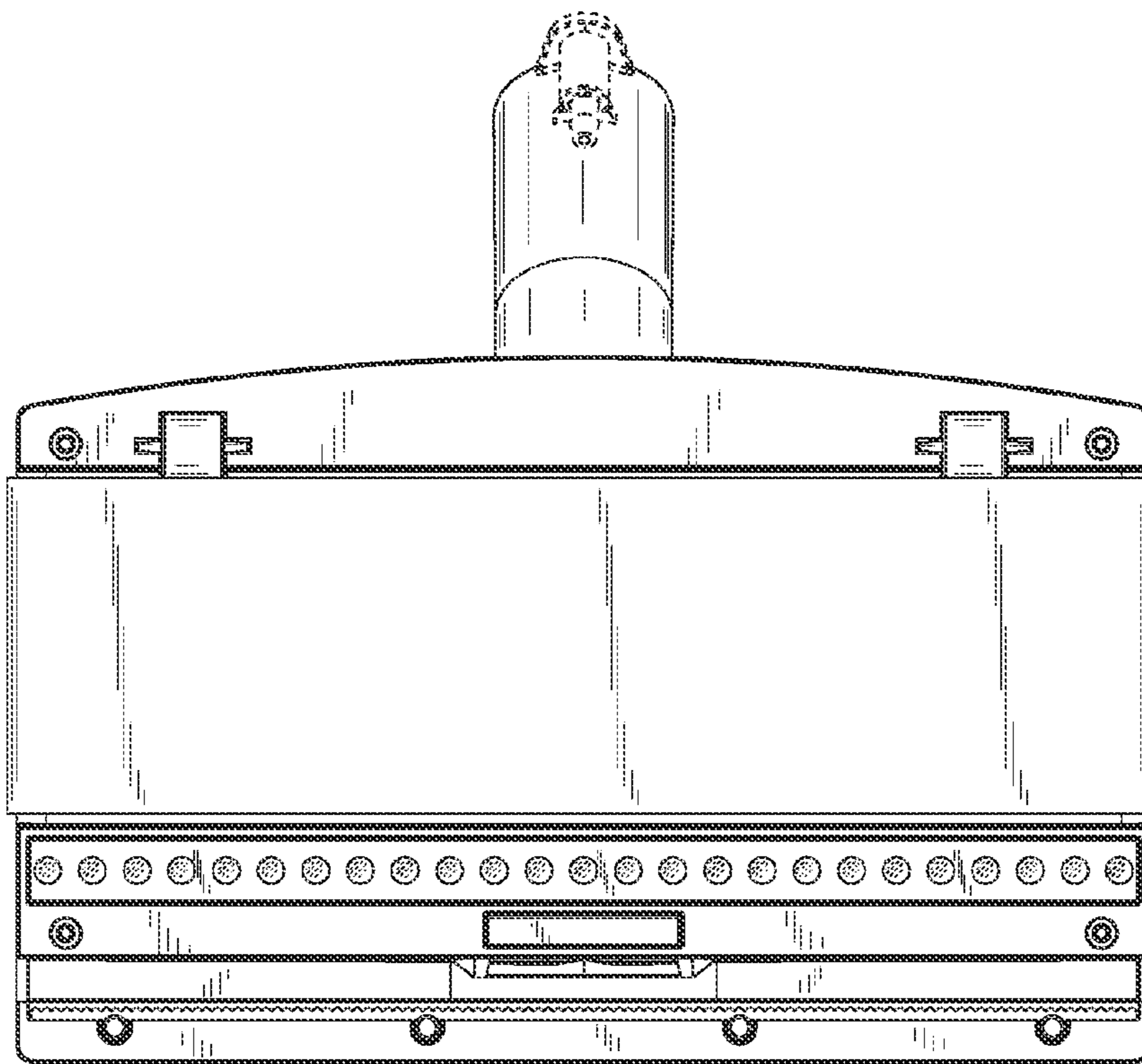


Fig. 6