



US00D566357S

(12) **United States Design Patent**  
**Santiago**

(10) **Patent No.:** **US D566,357 S**

(45) **Date of Patent:** **\*\* Apr. 8, 2008**

(54) **CLEANING TOOL**

(75) Inventor: **Jose Carlito Santiago**, Grand Rapids, MI (US)

(73) Assignee: **Bissell Homecare, Inc.**, Grand Rapids, MI (US)

(\*\*) Term: **14 Years**

(21) Appl. No.: **29/277,785**

(22) Filed: **Mar. 9, 2007**

(51) **LOC (8) Cl.** ..... **15-05**

(52) **U.S. Cl.** ..... **D32/32**

(58) **Field of Classification Search** ..... 15/321-322, 15/325, 329, 340.3, 89, 340.4, 90, 344, 361, 15/350-351, 362, 412, 246.2, 250; D32/21-23, D32/31-34, 38-39

See application file for complete search history.

(56) **References Cited**

**U.S. PATENT DOCUMENTS**

|           |     |         |               |       |        |
|-----------|-----|---------|---------------|-------|--------|
| 3,919,729 | A * | 11/1975 | Cannan        | ..... | 8/158  |
| 5,157,805 | A * | 10/1992 | Pinter        | ..... | 15/322 |
| D370,322  | S * | 5/1996  | Canni Ferrari | ..... | D32/50 |
| D383,578  | S * | 9/1997  | Ho            | ..... | D32/51 |
| D384,506  | S * | 10/1997 | Canni Ferrari | ..... | D4/100 |
| 5,839,158 | A * | 11/1998 | Schupp et al. | ..... | 15/350 |
| D406,420  | S * | 3/1999  | Sin           | ..... | D32/22 |

|           |      |         |                      |       |         |
|-----------|------|---------|----------------------|-------|---------|
| D420,774  | S *  | 2/2000  | Schupp               | ..... | D32/22  |
| D424,263  | S *  | 5/2000  | Canni Ferrari et al. | ..... | D32/51  |
| 6,497,001 | B2 * | 12/2002 | Di Nunzio et al.     | ..... | 15/323  |
| 6,776,710 | B1 * | 8/2004  | Messmer et al.       | ..... | 454/305 |
| D548,911  | S *  | 8/2007  | Main et al.          | ..... | D32/50  |

\* cited by examiner

*Primary Examiner*—Sandra Snapp

(74) *Attorney, Agent, or Firm*—McGarry Bair PC

(57) **CLAIM**

The ornamental design for a cleaning tool, as shown and described.

**DESCRIPTION**

FIG. 1 is a front perspective view of a cleaning tool which embodies my design;

FIG. 2 is a front view thereof;

FIG. 3 is a rear view thereof;

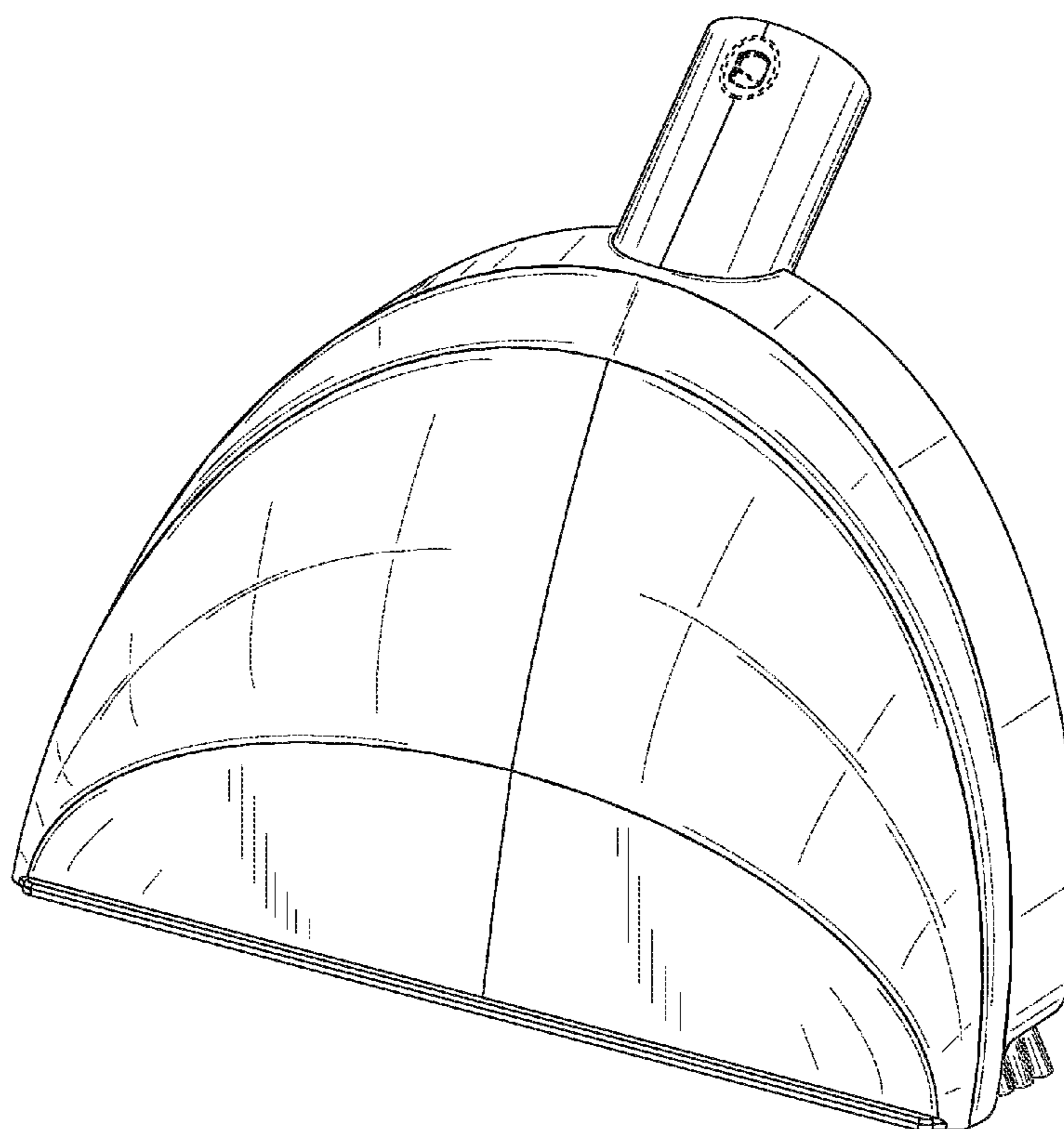
FIG. 4 is a left side view thereof, the right side view thereof being a mirror image of the left side view thereof;

FIG. 5 is a top view thereof; and,

FIG. 6 a bottom view thereof.

The broken lines shown in the drawings are for illustrative purposes only and form no part of the claimed design.

**1 Claim, 5 Drawing Sheets**



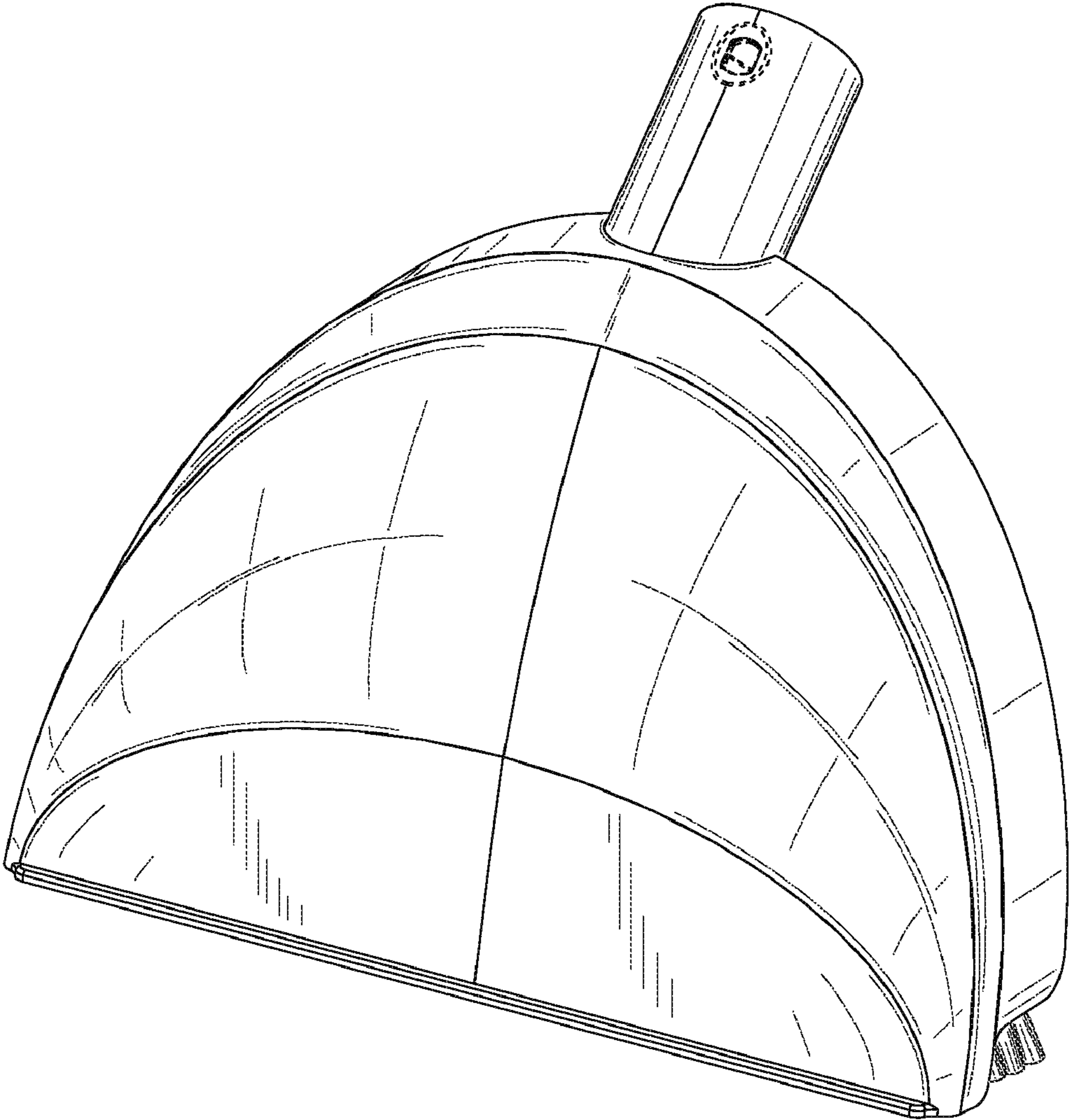
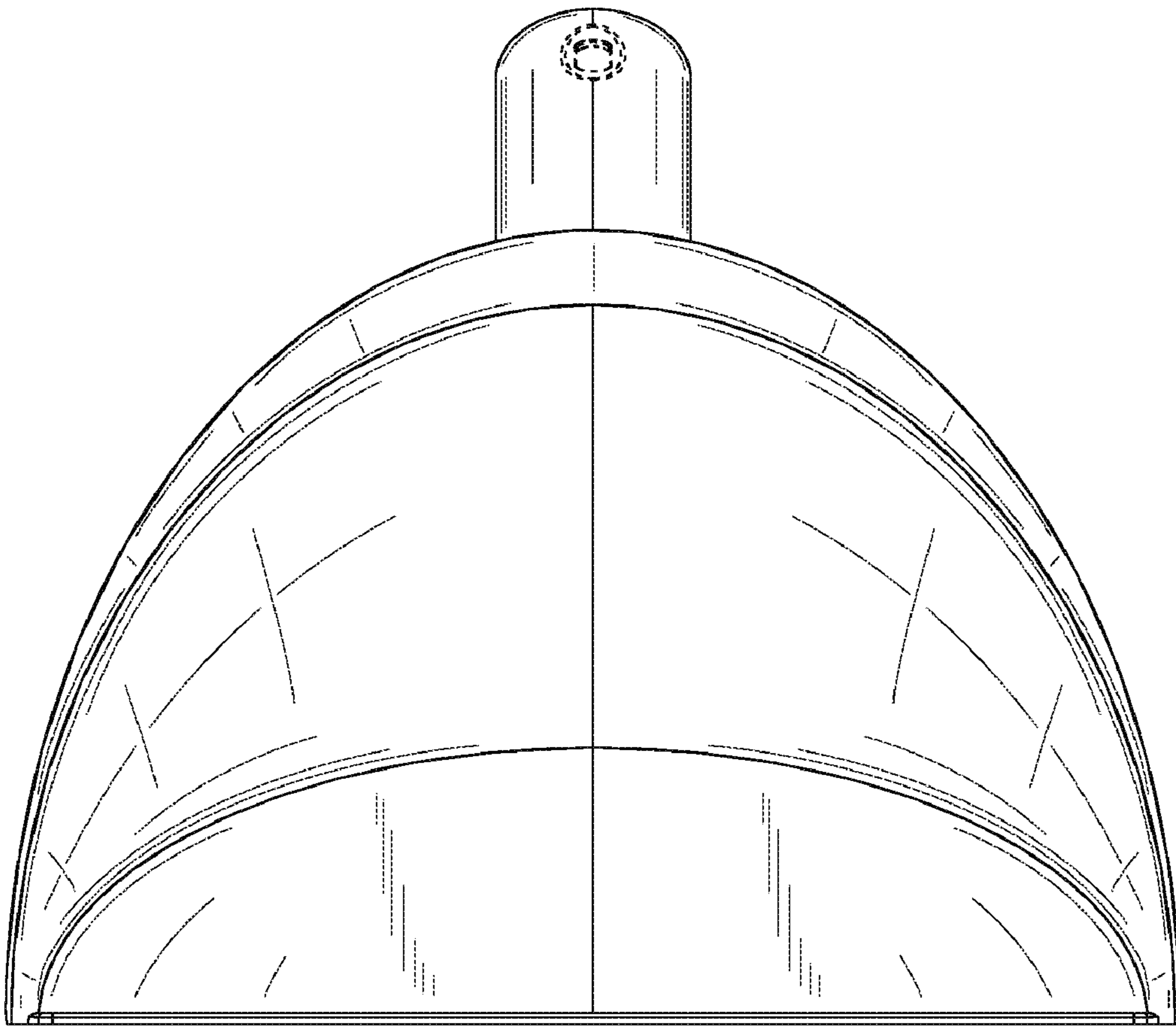


Fig. 1



**Fig. 2**

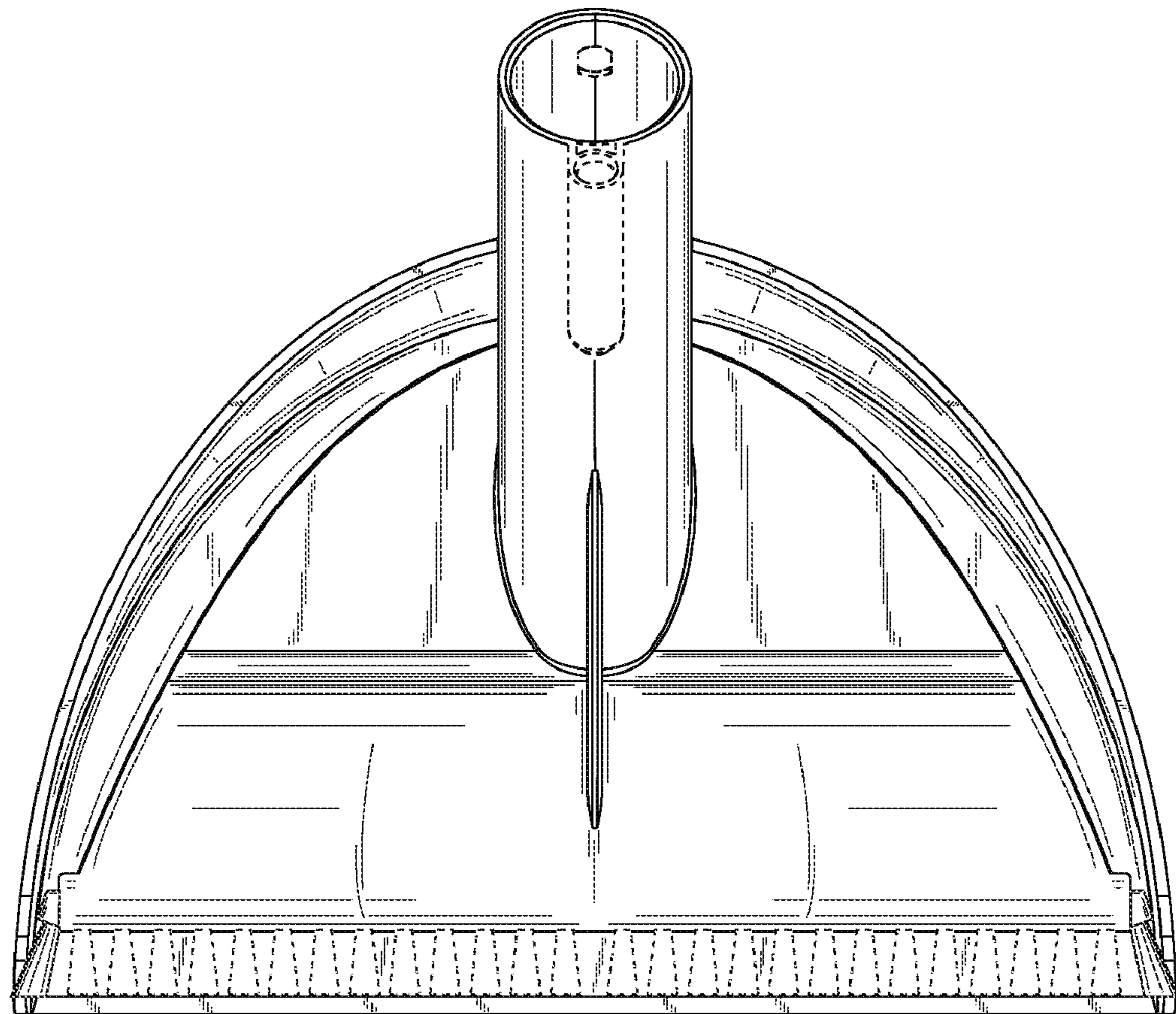
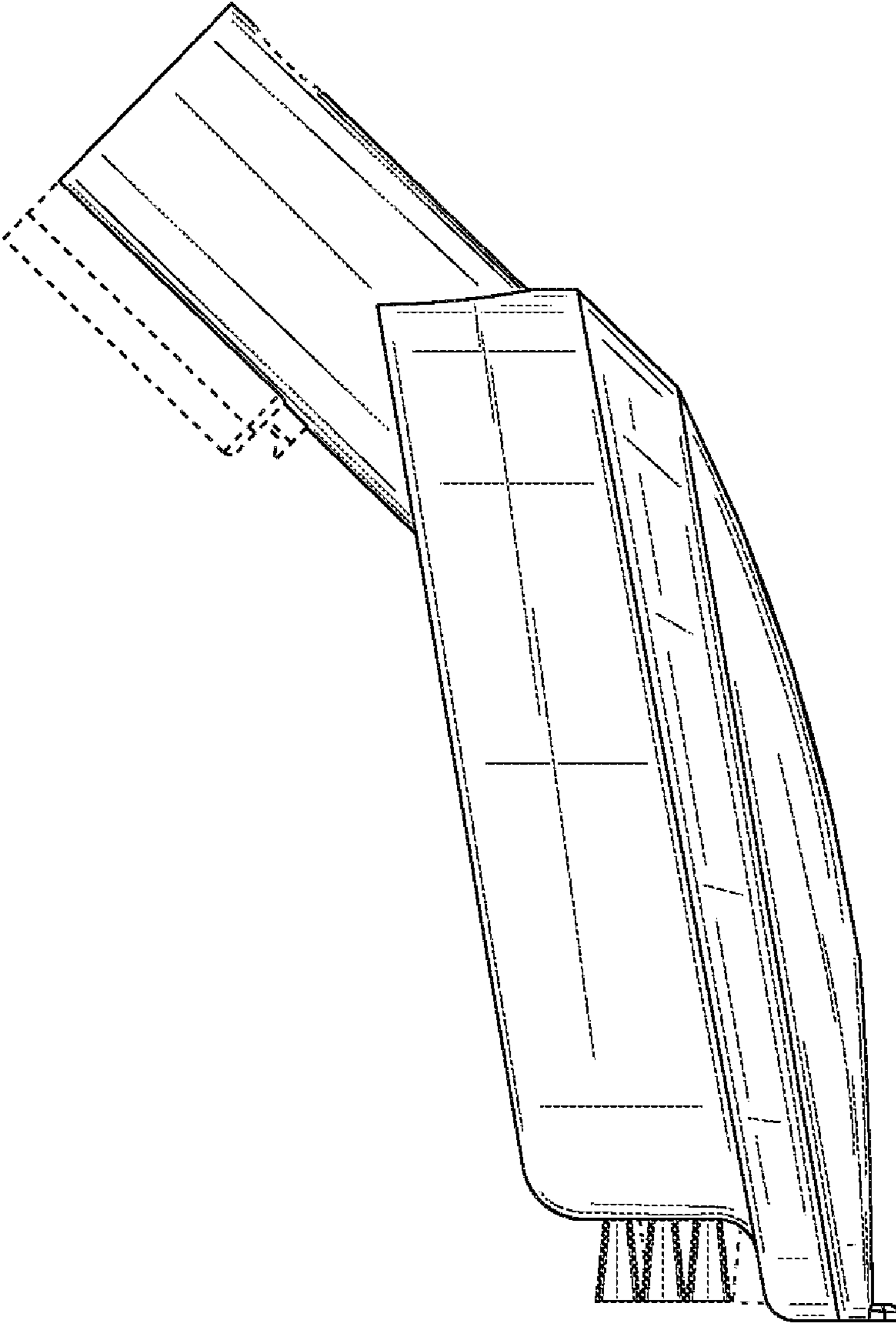


Fig. 3



**Fig. 4**

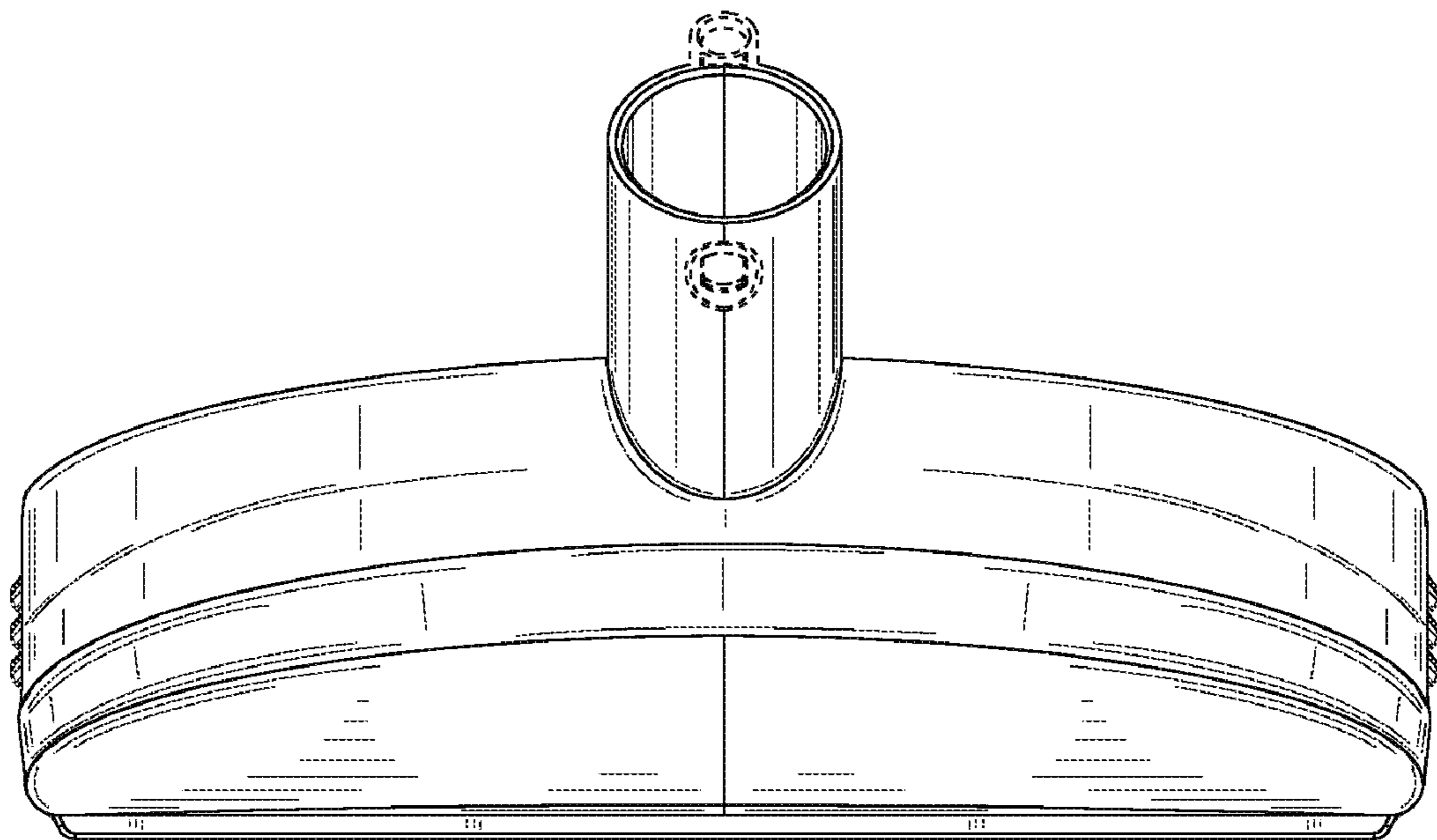


Fig. 5

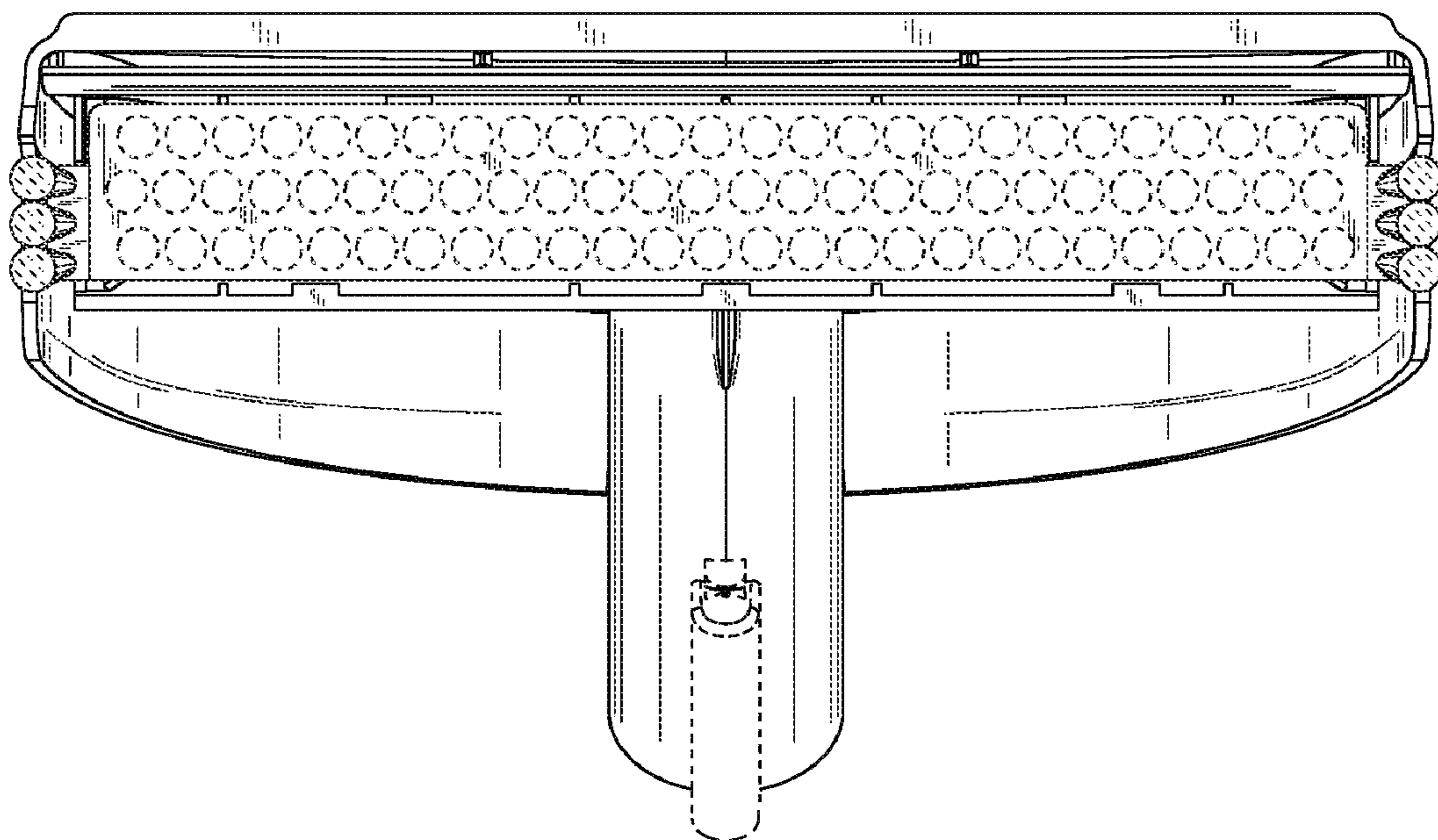


Fig. 6