



US00D566356S

(12) **United States Design Patent**
Medema

(10) **Patent No.:** **US D566,356 S**

(45) **Date of Patent:** **** Apr. 8, 2008**

(54) **FLOOR CLEANING TOOL**

D497,338 S * 10/2004 Metros et al. D12/203

(75) Inventor: **Douglas J. Medema**, Belding, MI (US)

* cited by examiner

(73) Assignee: **Bissell Homecare, Inc.**, Grand Rapids, MI (US)

Primary Examiner—Sandra Snapp
(74) *Attorney, Agent, or Firm*—McGarry Bair PC

(**) Term: **14 Years**

(57) **CLAIM**

(21) Appl. No.: **29/277,783**

The ornamental design for a floor cleaning tool, as shown and described.

(22) Filed: **Mar. 9, 2007**

DESCRIPTION

(51) **LOC (8) Cl.** **15-05**

(52) **U.S. Cl.** **D32/32**

(58) **Field of Classification Search** 15/321–322,
15/325, 329, 340.3, 89, 340.4, 90, 344, 361,
15/350–351, 362, 412, 246.2, 250; D32/21–23,
D32/31–34, 38–39

FIG. 1 is a front perspective view of the floor cleaning tool which embodies my design;

FIG. 2 is a front view thereof;

FIG. 3 is a left side view thereof, the right side view thereof being a mirror image of the left side view thereof;

FIG. 4 is a top view thereof; and,

FIG. 5 is a bottom view thereof.

See application file for complete search history.

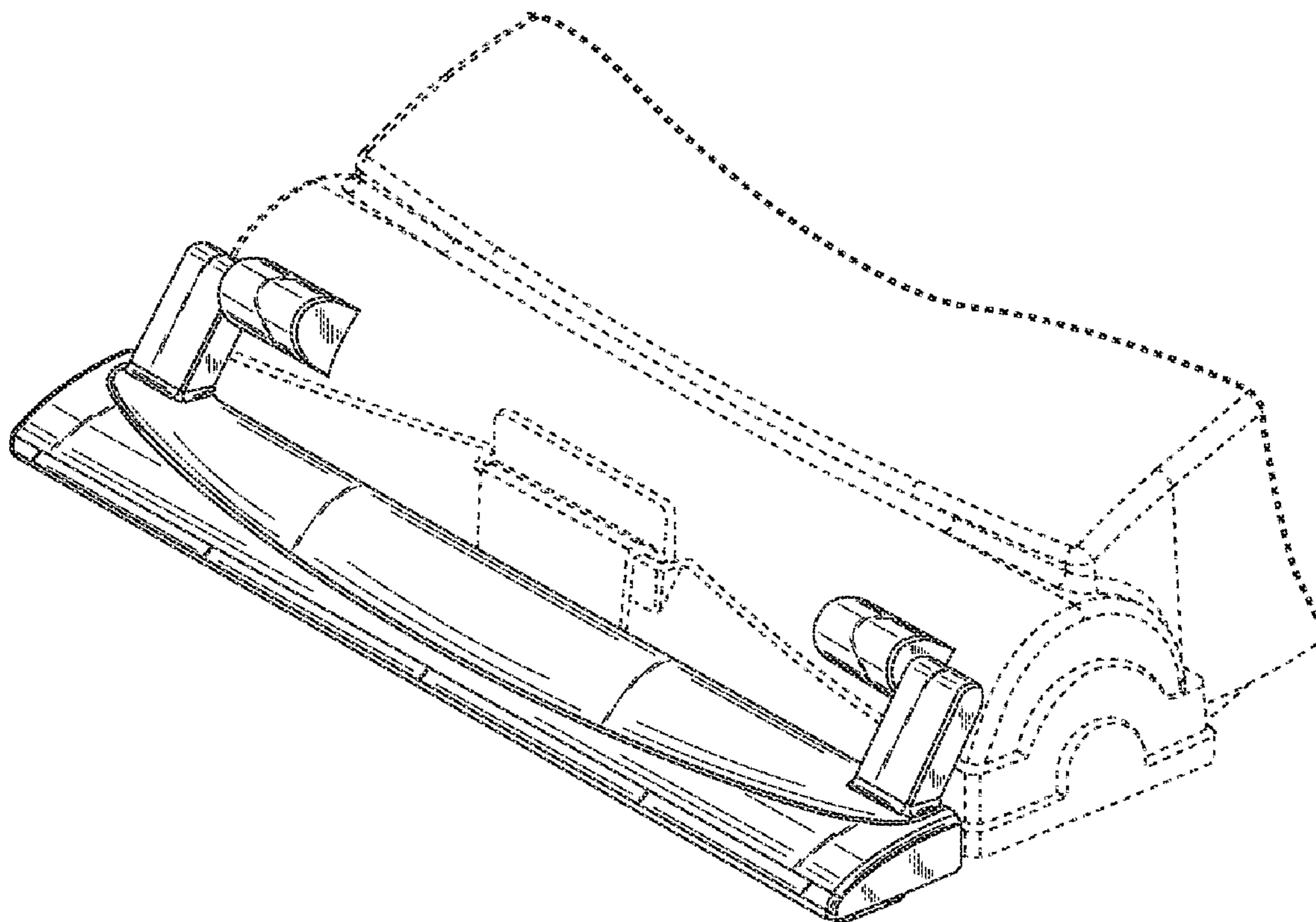
The broken lines shown in the drawings are for illustrative purposes only and form no part of the claimed design.

(56) **References Cited**

U.S. PATENT DOCUMENTS

D463,634 S * 9/2002 Mantyla et al. D32/31
D484,287 S * 12/2003 Murphy et al. D32/32

1 Claim, 3 Drawing Sheets



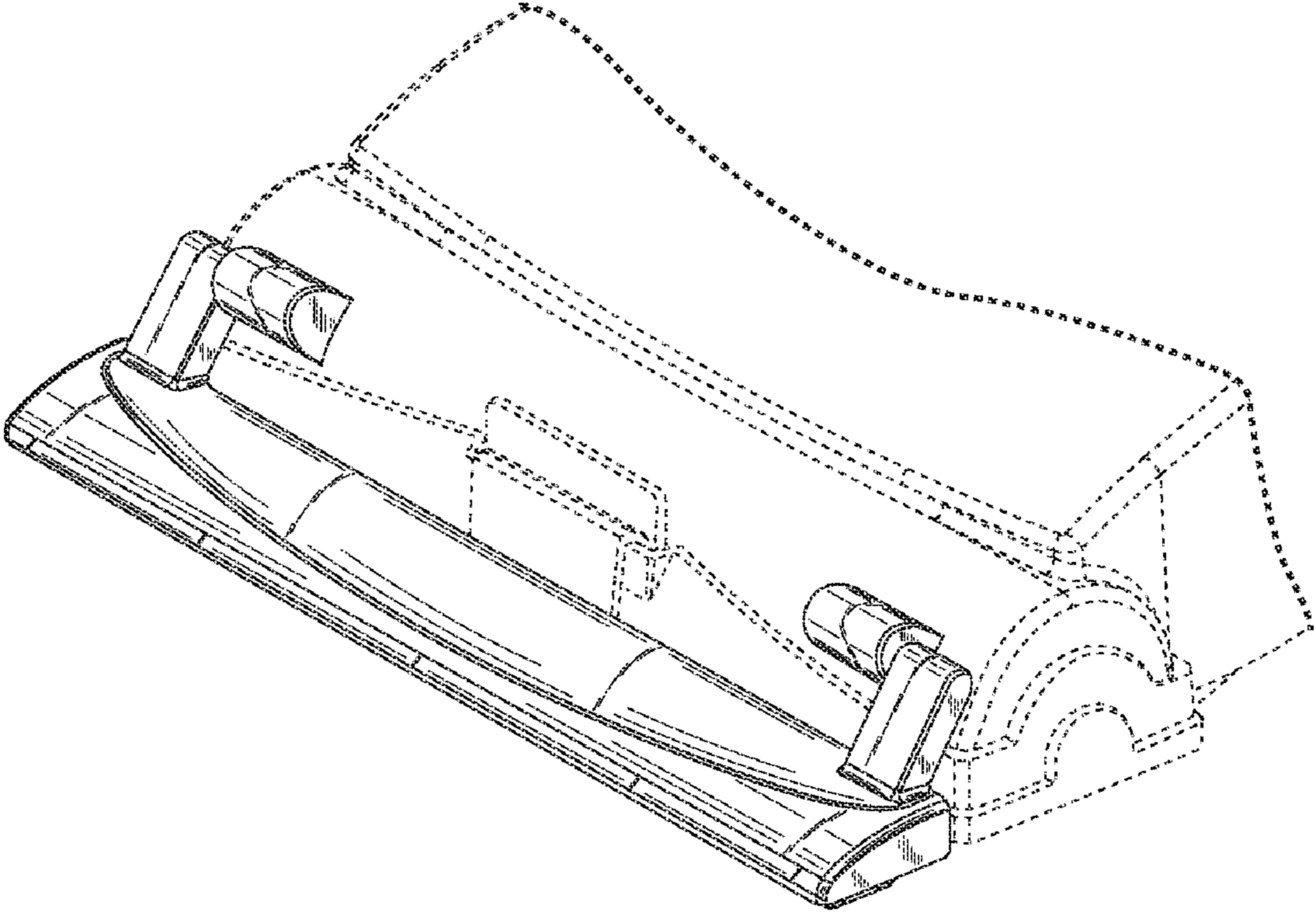


Fig. 1

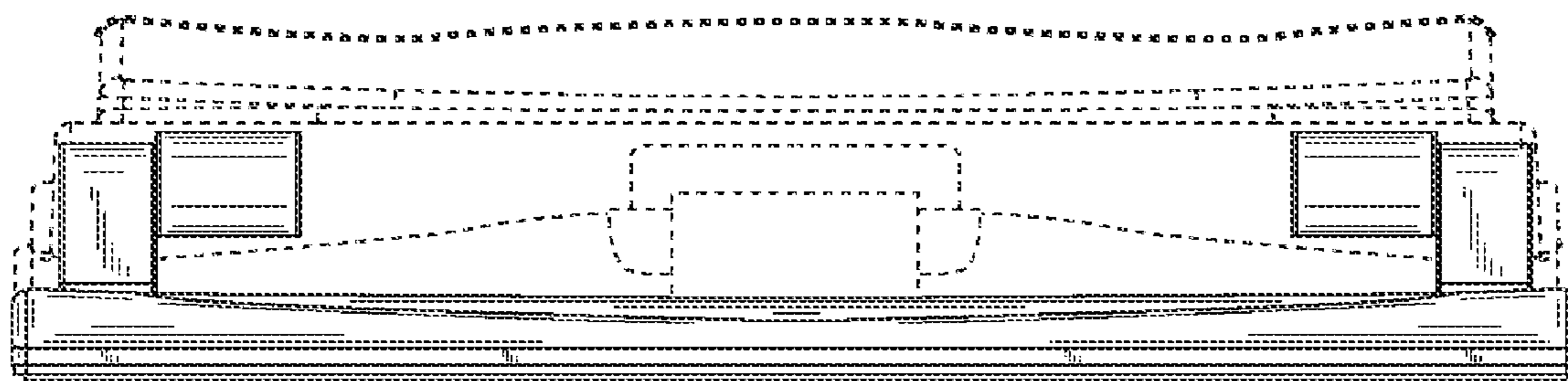


Fig. 2

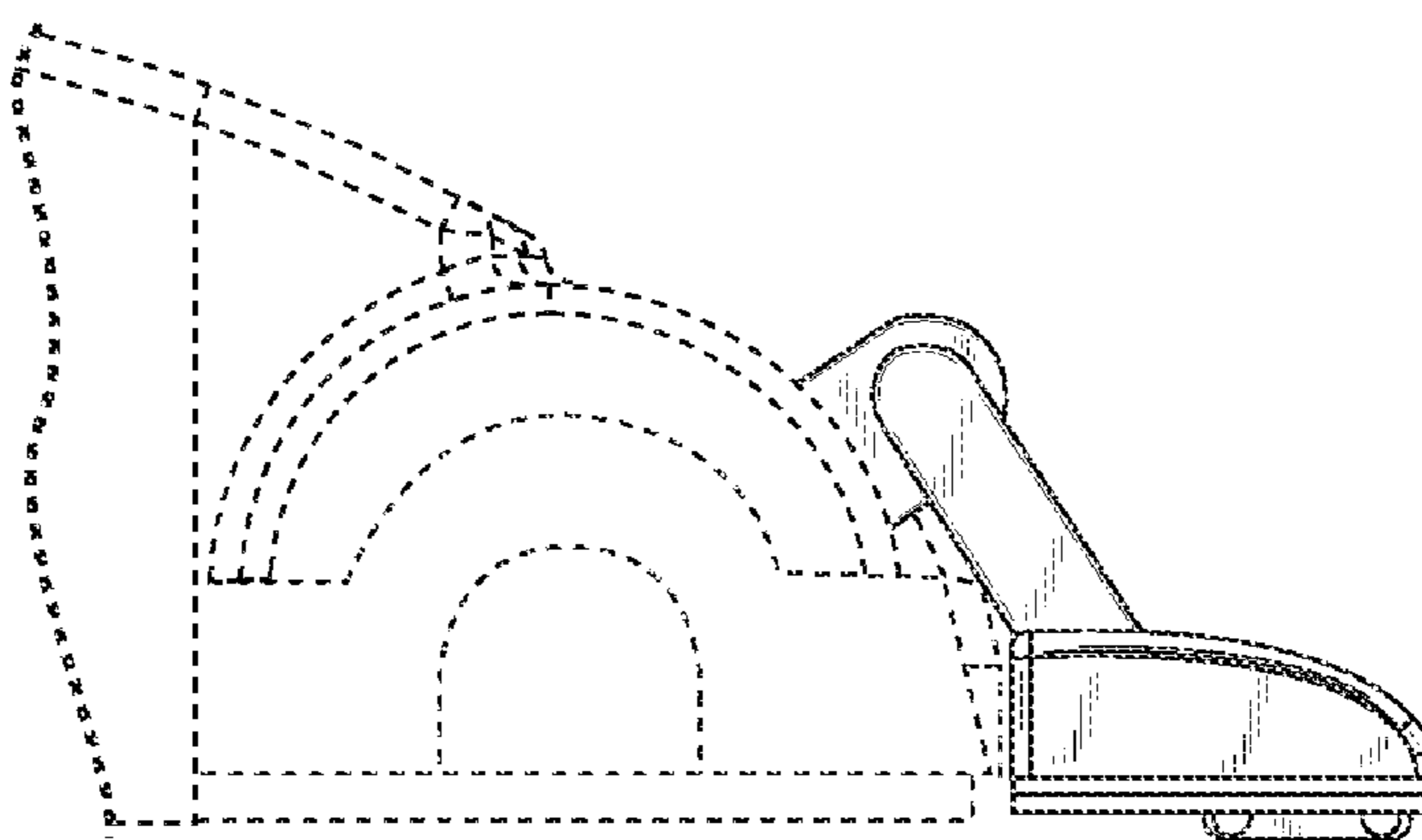


Fig. 3

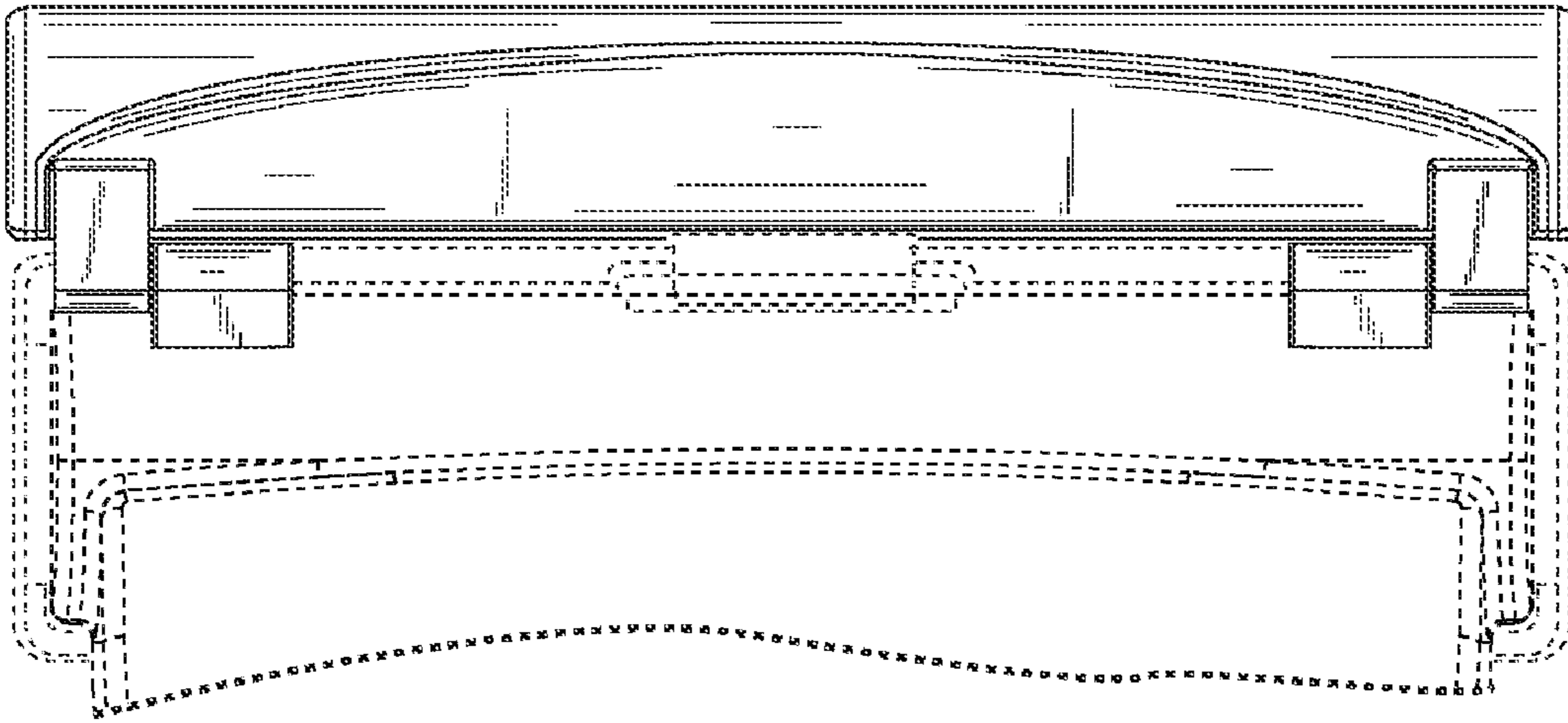


Fig. 4

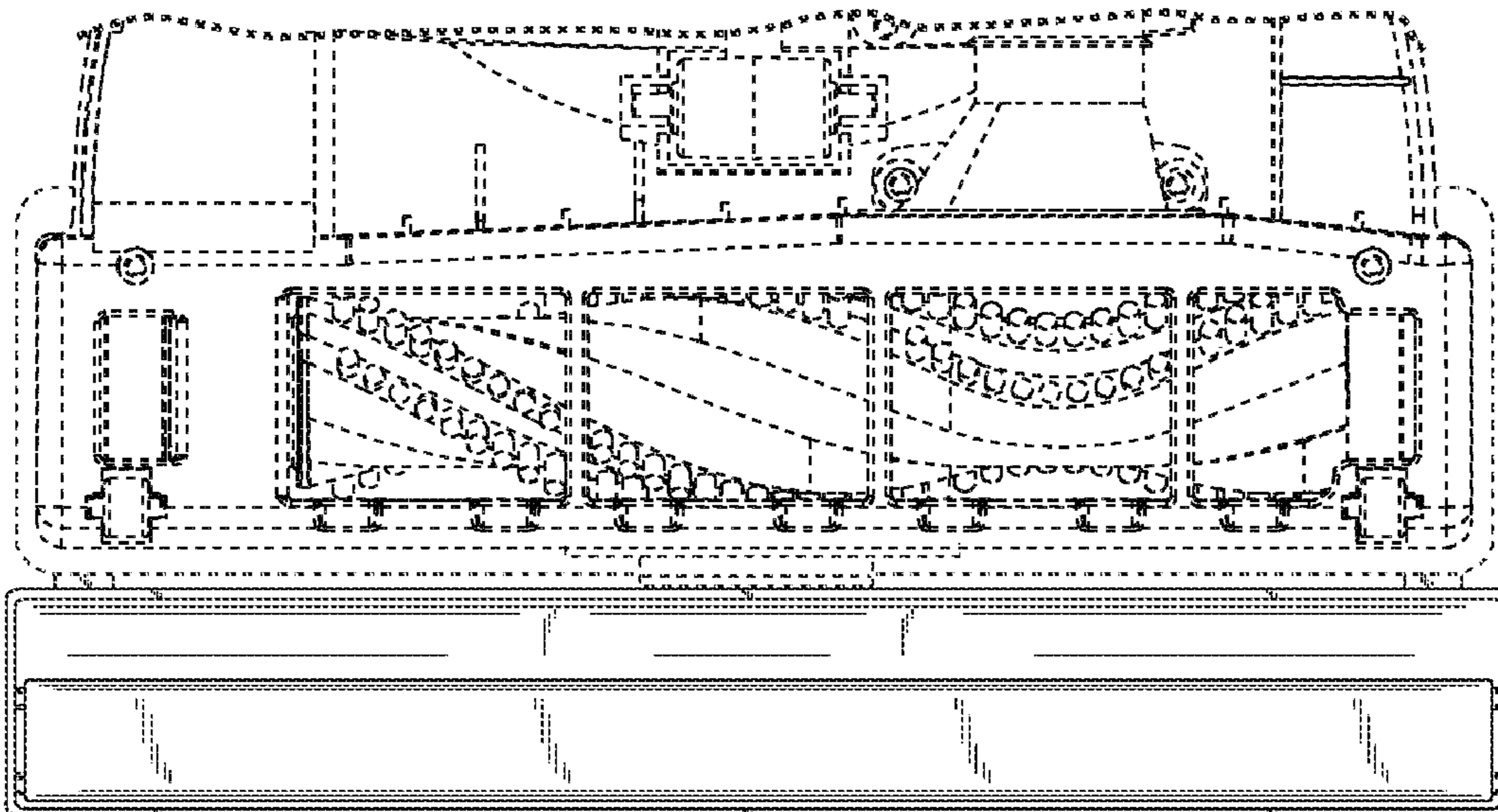


Fig. 5