



US00D566353S

(12) **United States Design Patent** (10) **Patent No.:** **US D566,353 S**
Dyson et al. (45) **Date of Patent:** **** Apr. 8, 2008**

(54) **VACUUM CLEANER**

(75) Inventors: **James Dyson**, Wiltshire (GB); **Evan James Stevens**, Wiltshire (GB)

(73) Assignee: **Dyson Limited**, Wiltshire (GB)

(**) Term: **14 Years**

(21) Appl. No.: **29/272,369**

(22) Filed: **Feb. 7, 2007**

(30) **Foreign Application Priority Data**

Aug. 8, 2006 (GB) 3025600

(51) **LOC (8) Cl.** **15-05**

(52) **U.S. Cl.** **D32/32**

(58) **Field of Classification Search** D32/22,
D32/31-34; 15/321-322, 353, 324, 334,
15/347, 350-352, 415.1-422, 422.1, 361,
15/363, 374, 410-412; 34/84-85, 95.1, 633,
34/635, 638, 229

See application file for complete search history.

(56) **References Cited**

U.S. PATENT DOCUMENTS

D439,383 S *	3/2001	Salo et al.	D32/32
D475,820 S *	6/2003	Dyson et al.	D32/22
D484,286 S	12/2003	Dyson et al.		
D487,948 S *	3/2004	Kent	D32/32
6,974,488 B2 *	12/2005	Dyson	55/346
D533,695 S *	12/2006	Dyson et al.	D32/22
D534,324 S *	12/2006	Dyson et al.	D32/22

OTHER PUBLICATIONS

Argos home shopping catalogue, Autumn/Winter 2005 ed. pp. 817-818; 824-825.

US Dyson Absolute Training Guide, Sep. 25, 2006.
U.S. Dyson Absolute Point of Purchase Materials: bilingual brochure and product tag, Oct. 16, 2006, 19 pages.
Suppes, Lesley. "Upright Vacuums," *Wired* Oct. 1, 2006., 1 page.
Muñoz, Sara Schaefer. "Shopping Around: Vacuum Cleaners," *The Wall Street Journal: Home & Family—Personal Journal*, Nov. 9, 2006 and corresponding Nov. 9, 2006 e-mail, 3 pages.

* cited by examiner

Primary Examiner—Ruth McInroy
(74) *Attorney, Agent, or Firm*—Morrison & Foerster LLP

(57) **CLAIM**

We claim the ornamental design for a vacuum cleaner, as shown and described.

DESCRIPTION

FIG. 1 is a perspective view of a vacuum cleaner showing our new design;

FIG. 2 is a top view thereof;

FIG. 3 is a bottom view thereof;

FIG. 4 is a side view thereof;

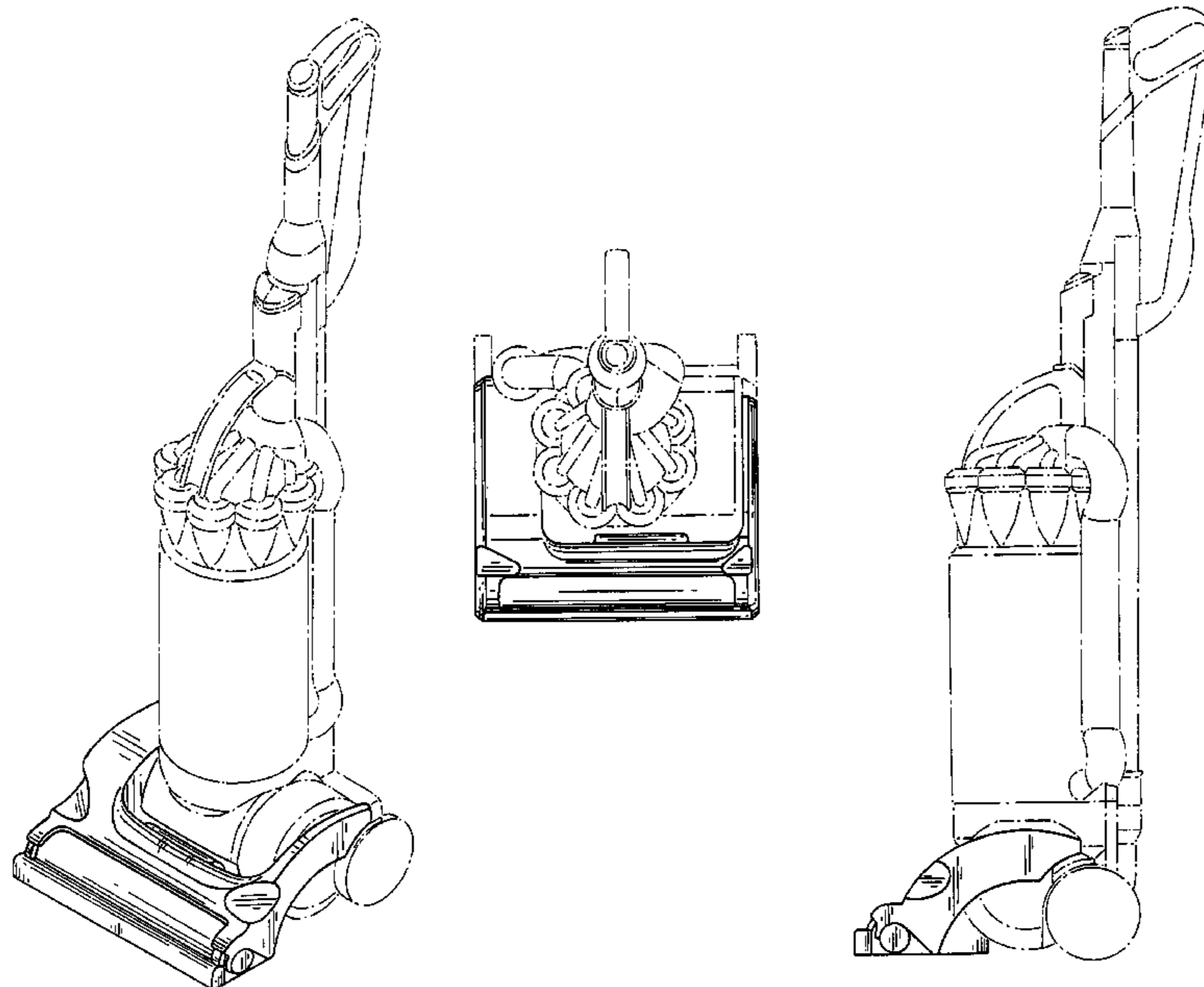
FIG. 5 is a side view of the opposite side of FIG. 4;

FIG. 6 is a front view thereof; and,

FIG. 7 is a rear view thereof.

The features of the design as claimed by applicants are shown in bold lines. The features shown in dotted lines are not claimed and are provided to indicate the context of the design.

1 Claim, 6 Drawing Sheets



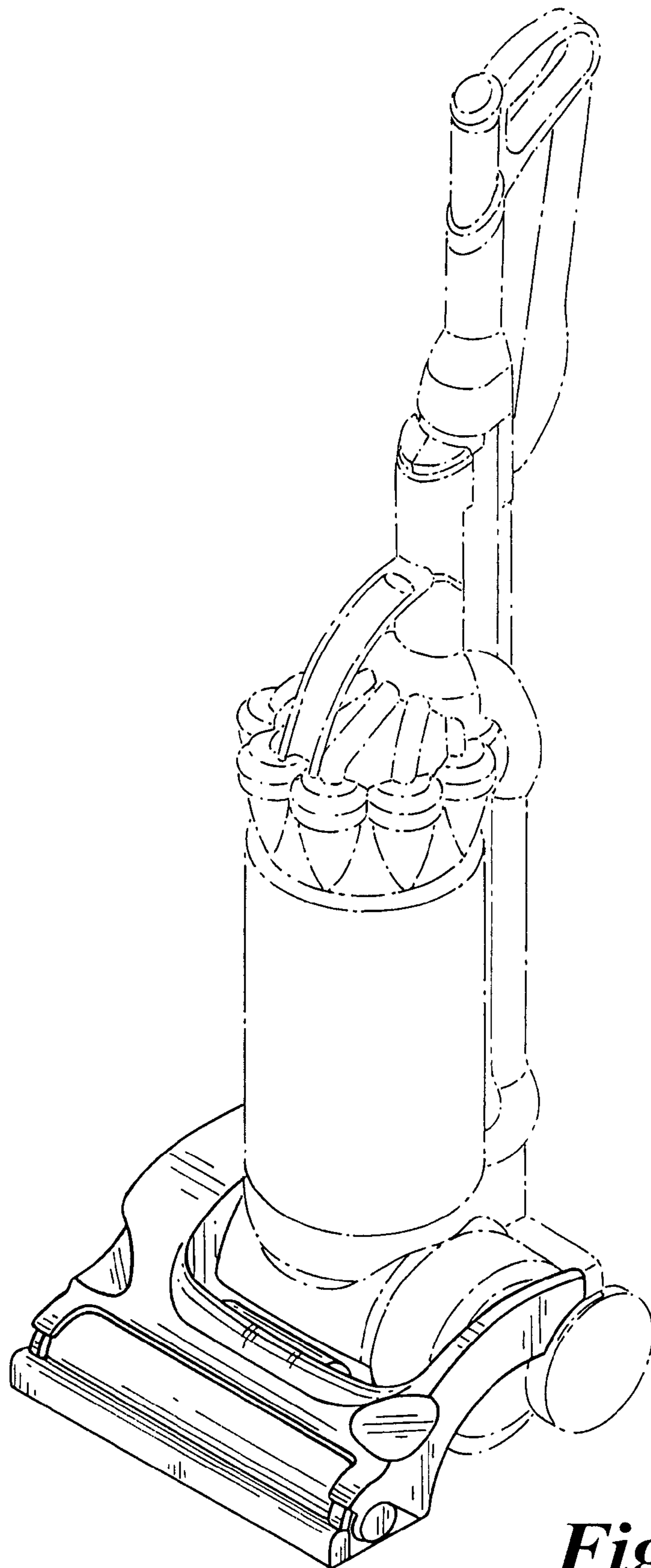


Fig. 1

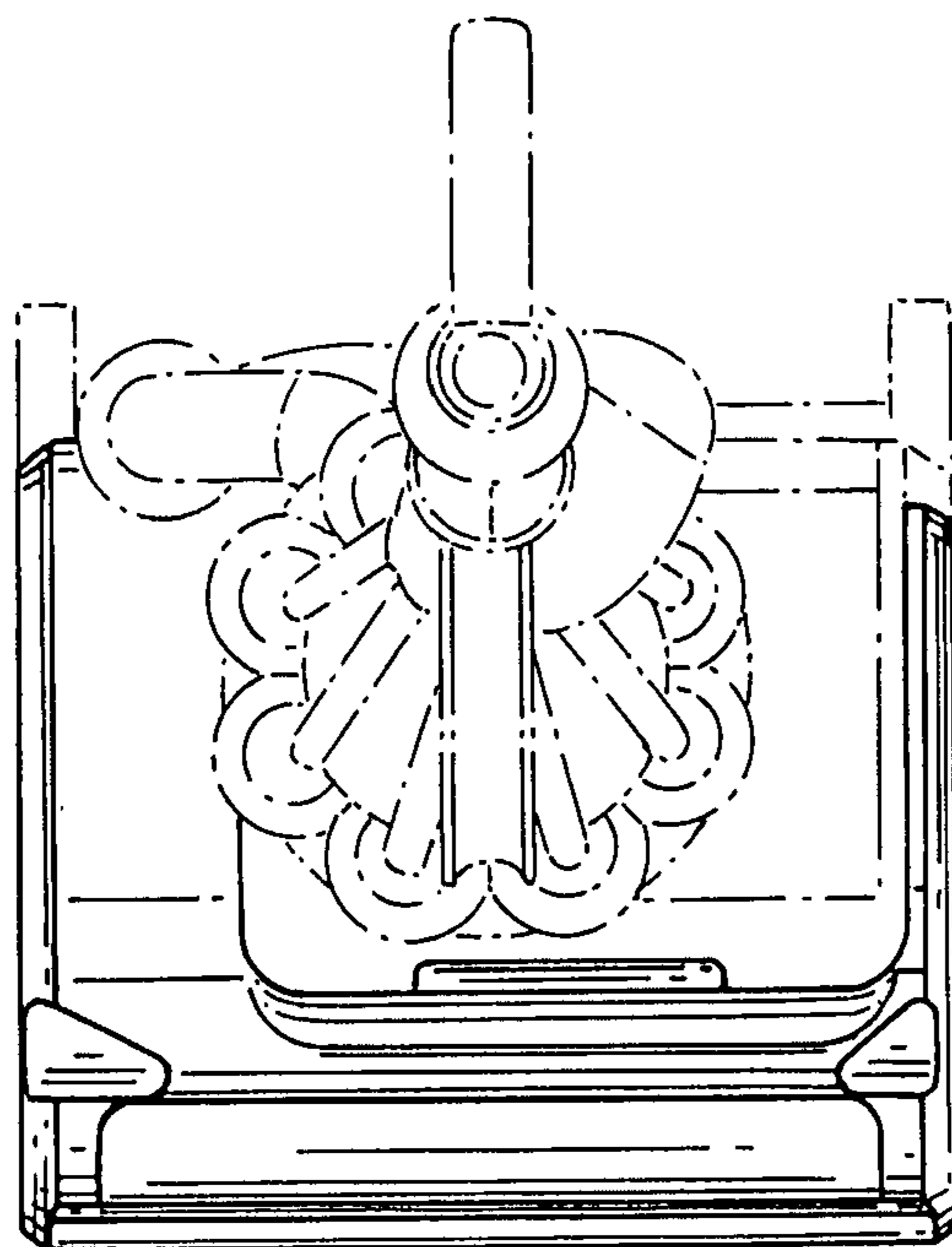


Fig. 2

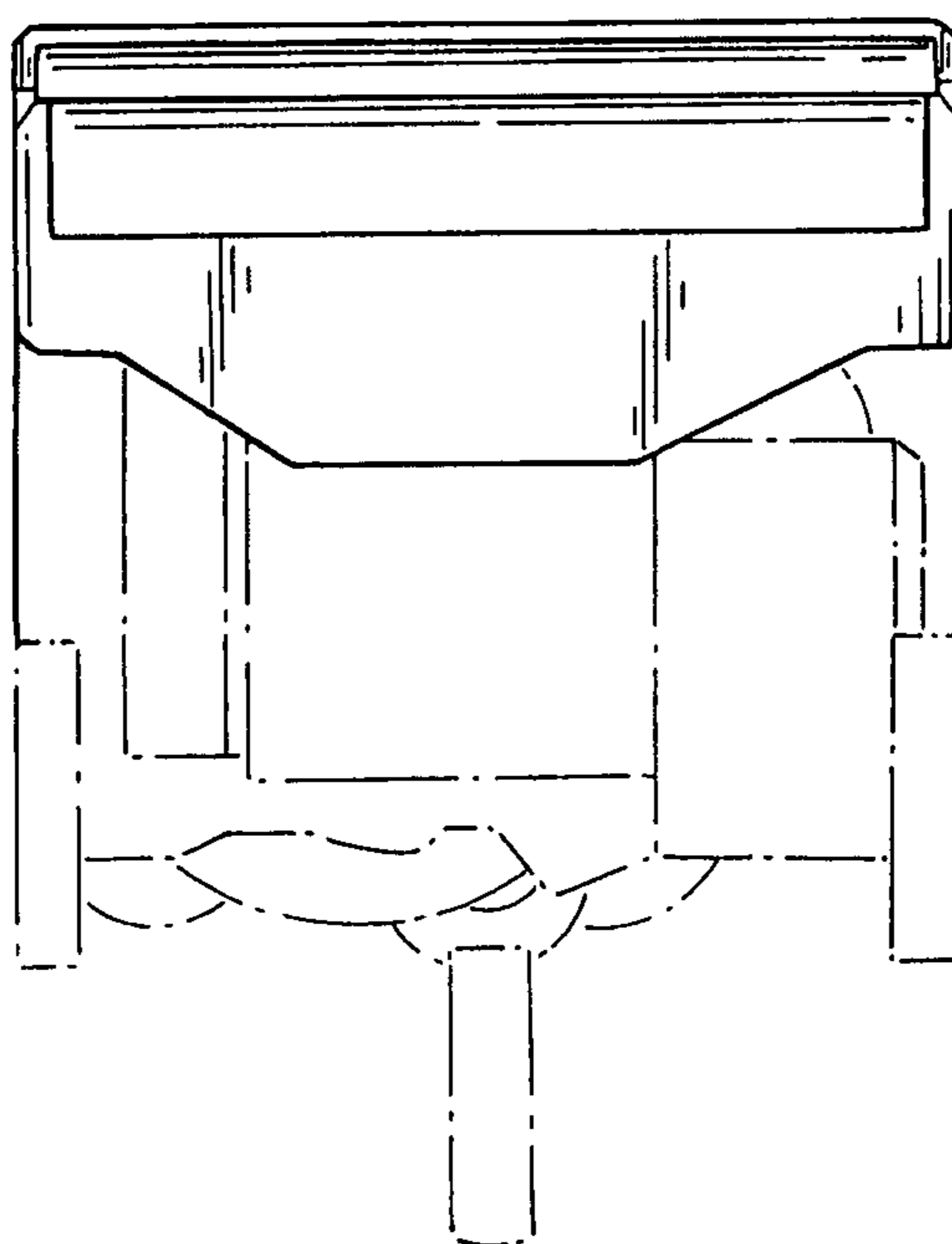


Fig. 3

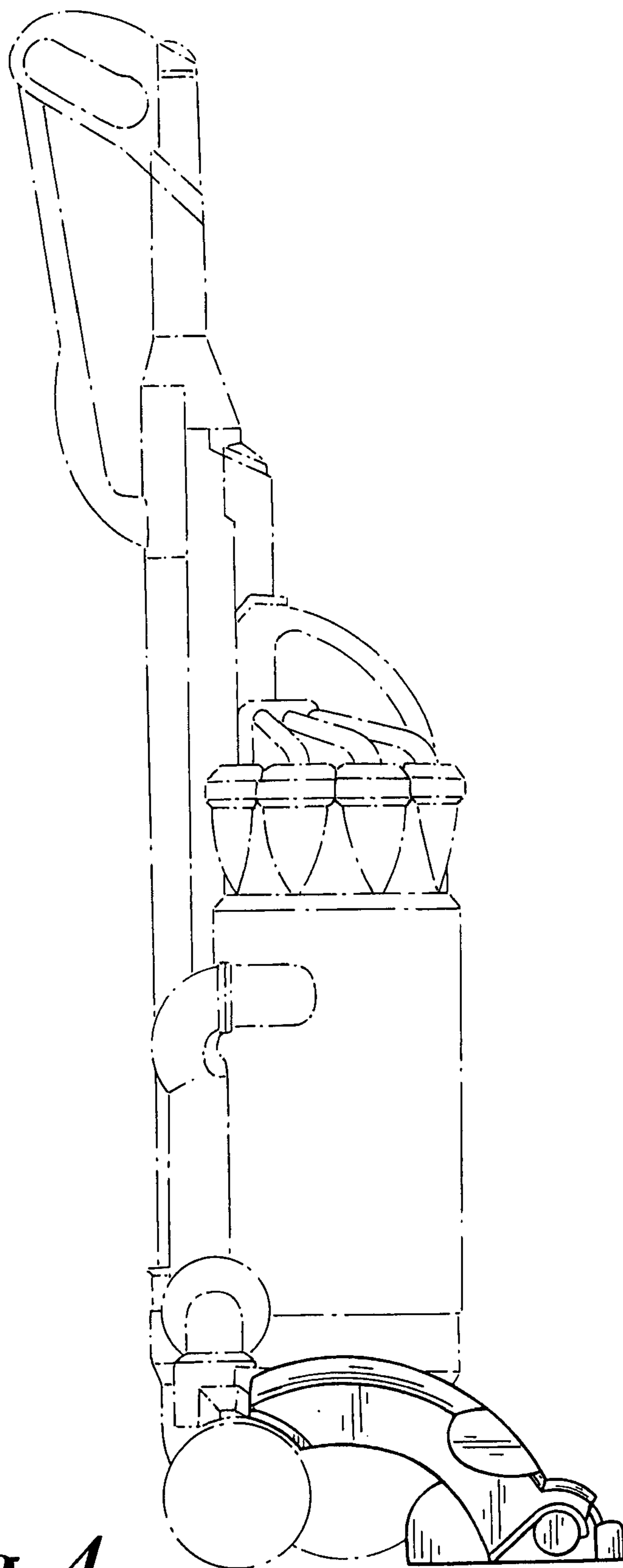


Fig. 4

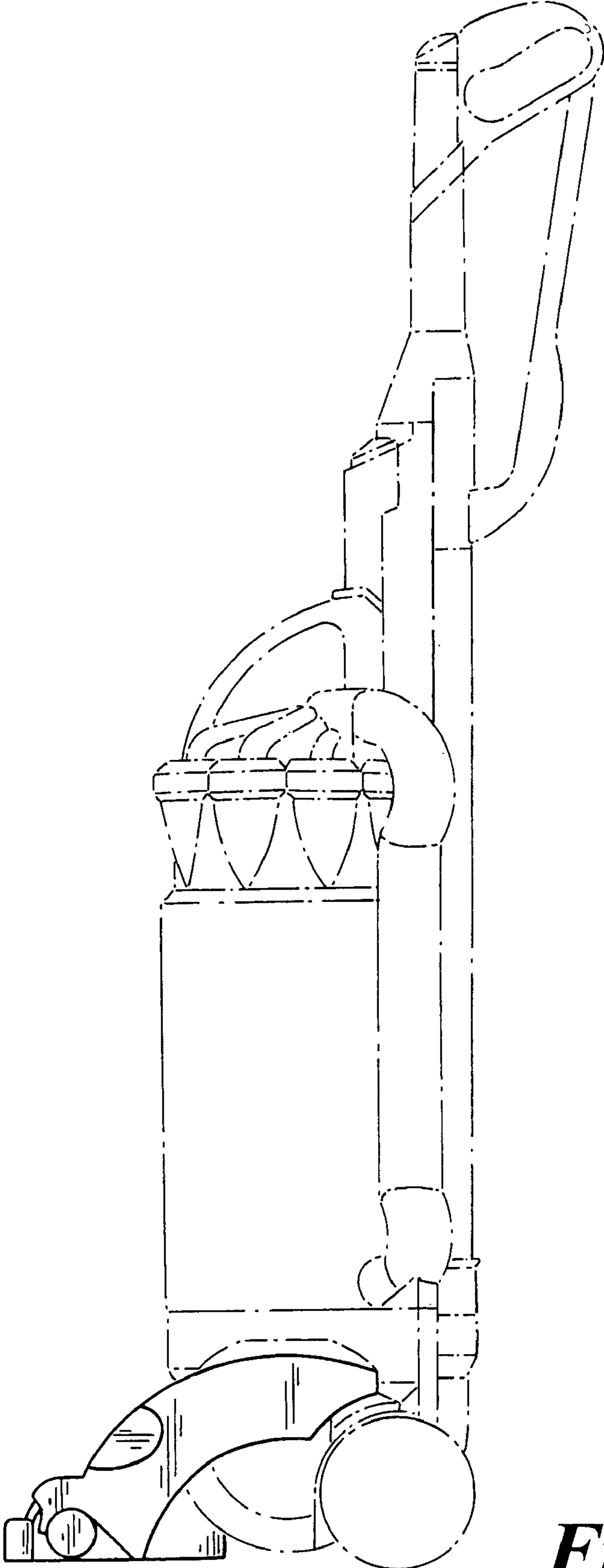


Fig. 5

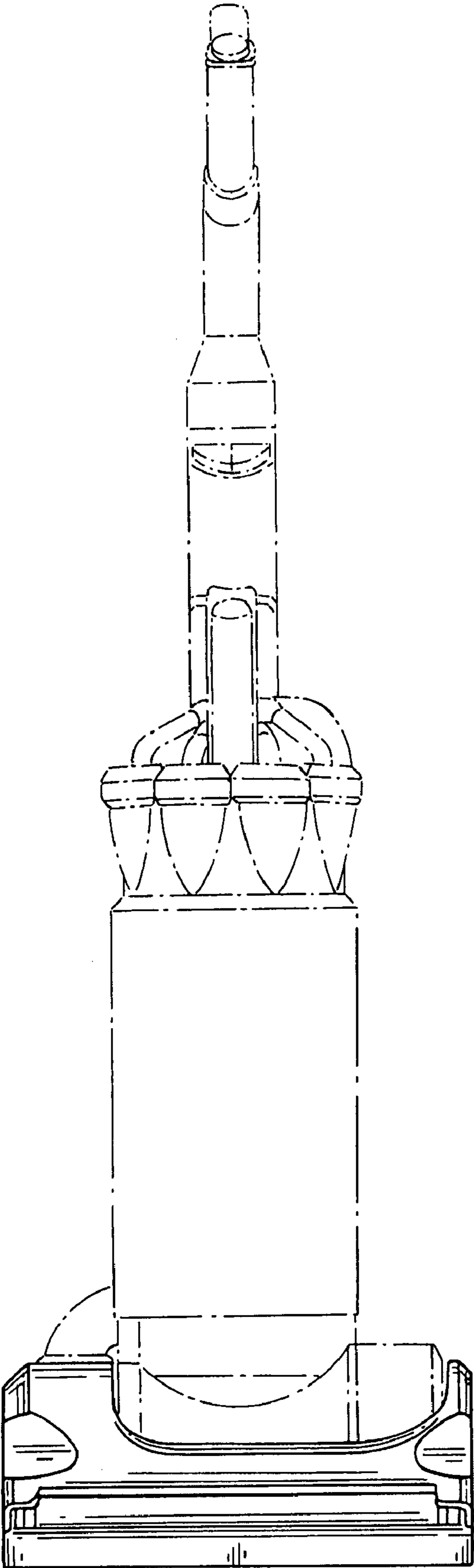


Fig. 6

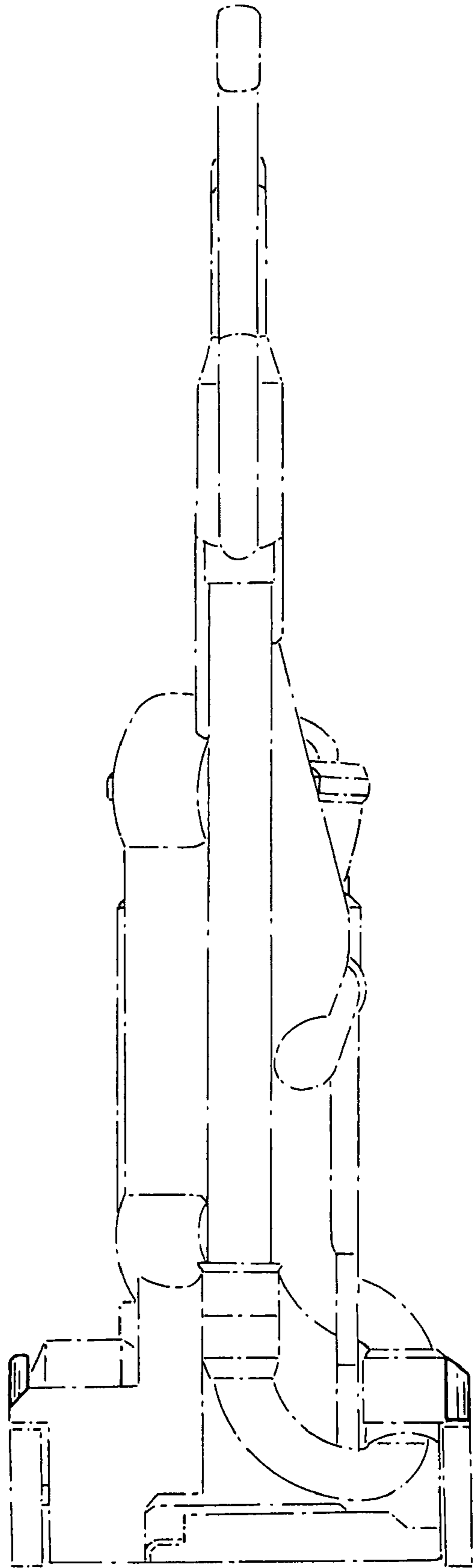


Fig. 7