



US00D566351S

(12) **United States Design Patent**
Crevling, Jr. et al.

(10) **Patent No.:** **US D566,351 S**

(45) **Date of Patent:** **** Apr. 8, 2008**

(54) **POLISHER ATTACHMENT**

(75) Inventors: **Robert L. Crevling, Jr.**, Williamsport, PA (US); **Melvin E. Wolfe, Jr.**, Hallstead, PA (US); **John Griffin**, Phoenix, AZ (US)

(73) Assignee: **Shop Vac Corporation**, Williamsport, PA (US)

(**) Term: **14 Years**

(21) Appl. No.: **29/237,205**

(22) Filed: **Aug. 25, 2005**

(51) **LOC (8) Cl.** **15-05**

(52) **U.S. Cl.** **D32/25**

(58) **Field of Classification Search** D32/25,
D32/31-34, 21-22; 15/320-322, 353, 410,
15/415.1-422

See application file for complete search history.

(56) **References Cited**

U.S. PATENT DOCUMENTS

D370,097 S *	5/1996	Griffin et al.	D32/33
D443,741 S *	6/2001	Parr et al.	D32/32
6,513,190 B1 *	2/2003	Allgeier et al.	15/387
D476,121 S *	6/2003	Hammond	D32/32
6,711,777 B2 *	3/2004	Frederick et al.	15/387
D508,154 S *	8/2005	Carr	D32/32
D520,694 S *	5/2006	Choi	D32/32

* cited by examiner

Primary Examiner—Stella M. Reid

Assistant Examiner—Kathleen Sims

(74) *Attorney, Agent, or Firm*—Marshall Gerstein & Borun LLP

(57) **CLAIM**

The ornamental design for a polisher attachment, as shown.

DESCRIPTION

FIG. 1 is a perspective view of a polisher attachment showing our new design;

FIG. 2 is a right side elevational view thereof;

FIG. 3 is a front elevational view thereof;

FIG. 4 is a rear elevational view thereof;

FIG. 5 is a left side elevational view thereof;

FIG. 6 is a top view thereof;

FIG. 7 is a bottom view thereof;

FIG. 8 is a perspective view of the polisher attachment, with a cover portion removed;

FIG. 9 is a right side elevational view thereof;

FIG. 10 is a front elevational view thereof;

FIG. 11 is a rear elevational view thereof;

FIG. 12 is a left side elevational view thereof;

FIG. 13 is a top view thereof; and,

FIG. 14 is a bottom view thereof.

1 Claim, 14 Drawing Sheets

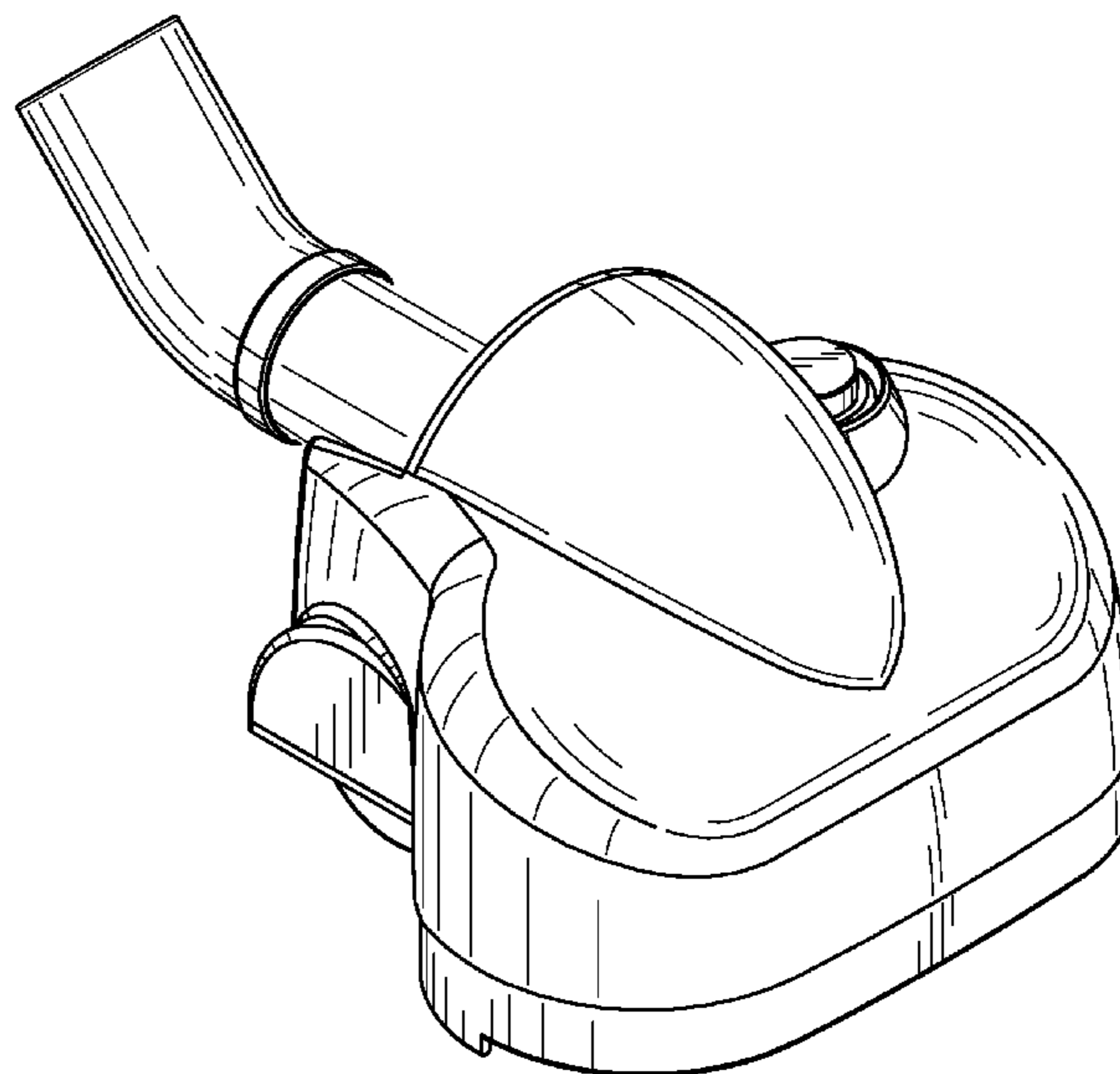
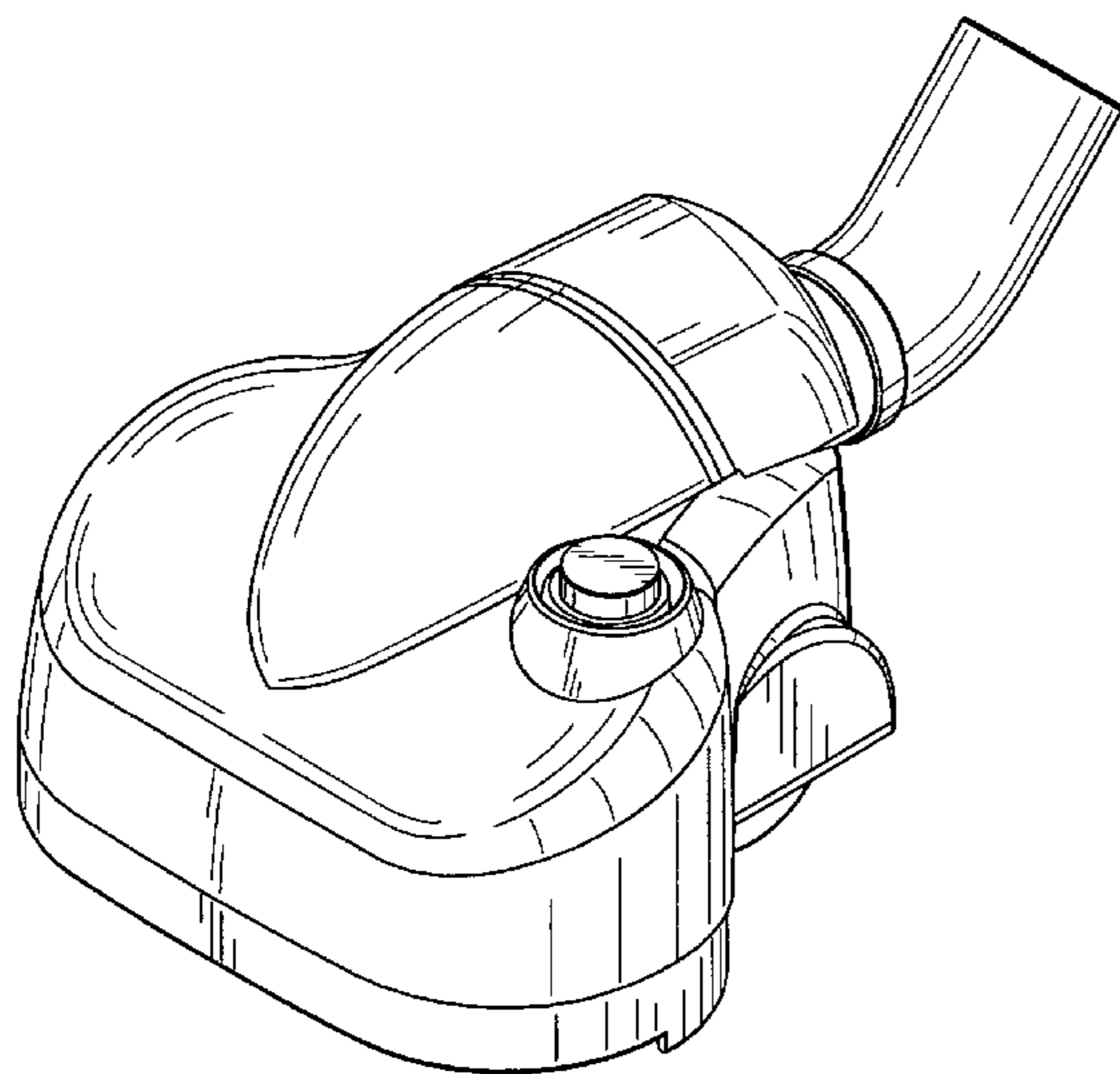


FIG. 1

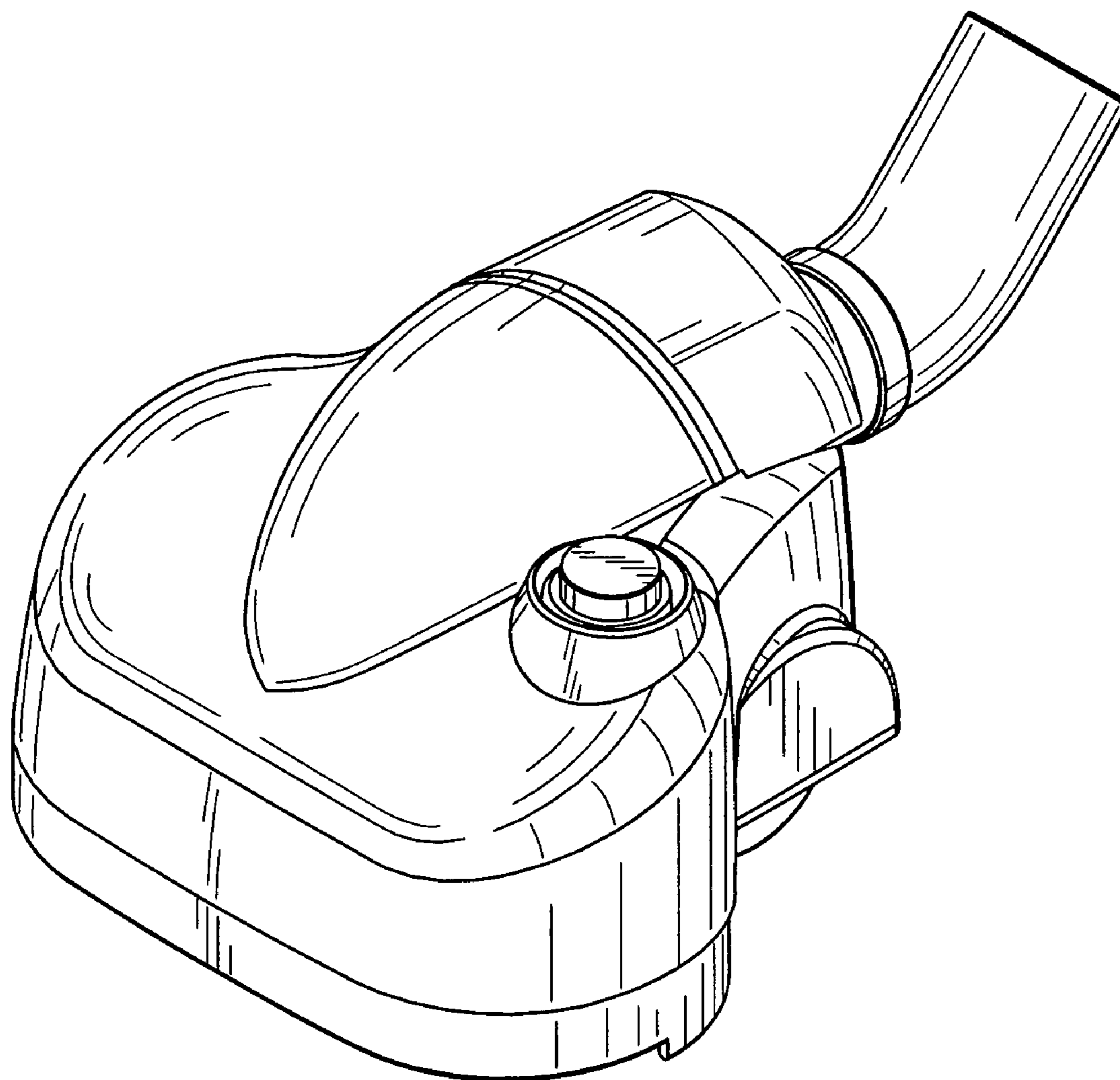


FIG. 2

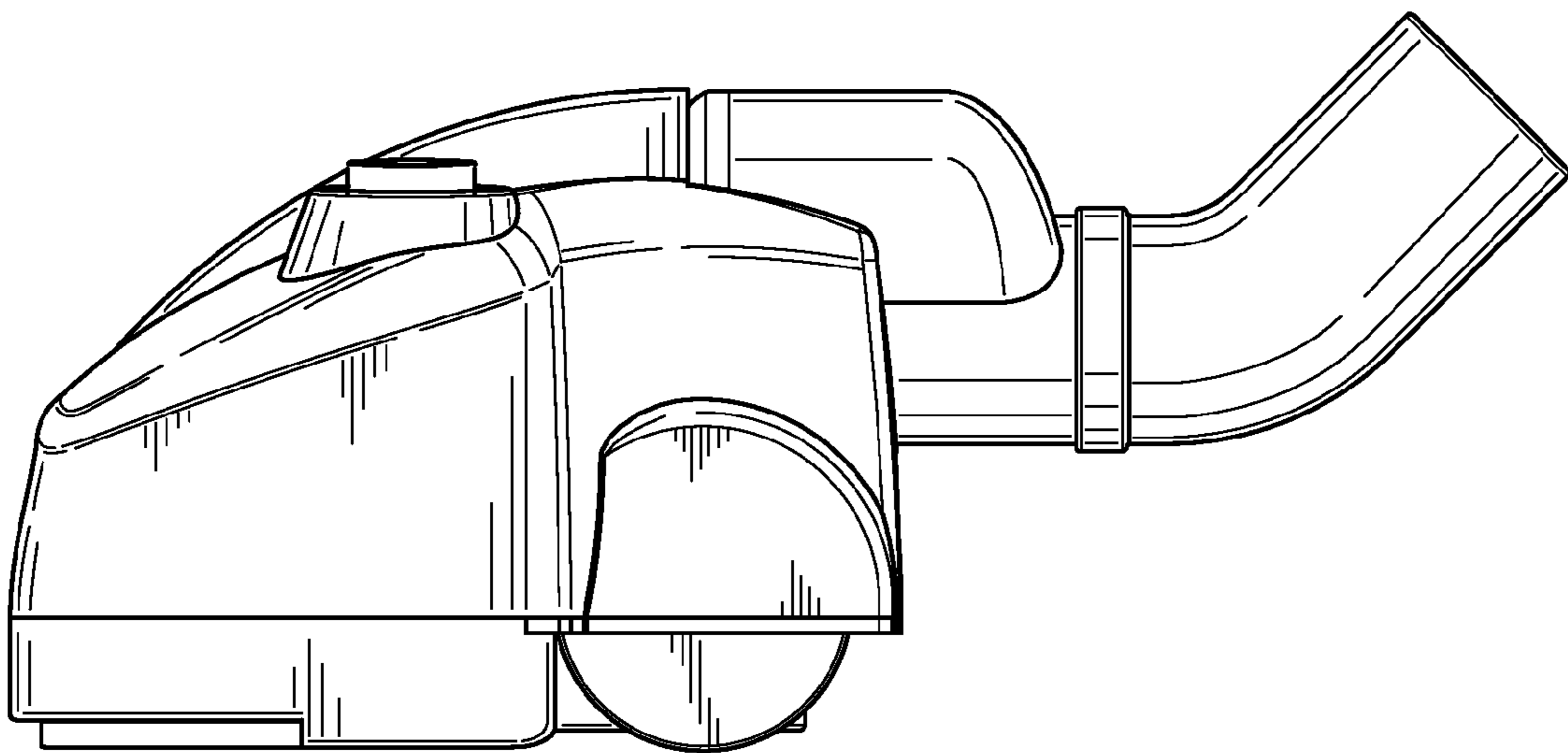


FIG. 3

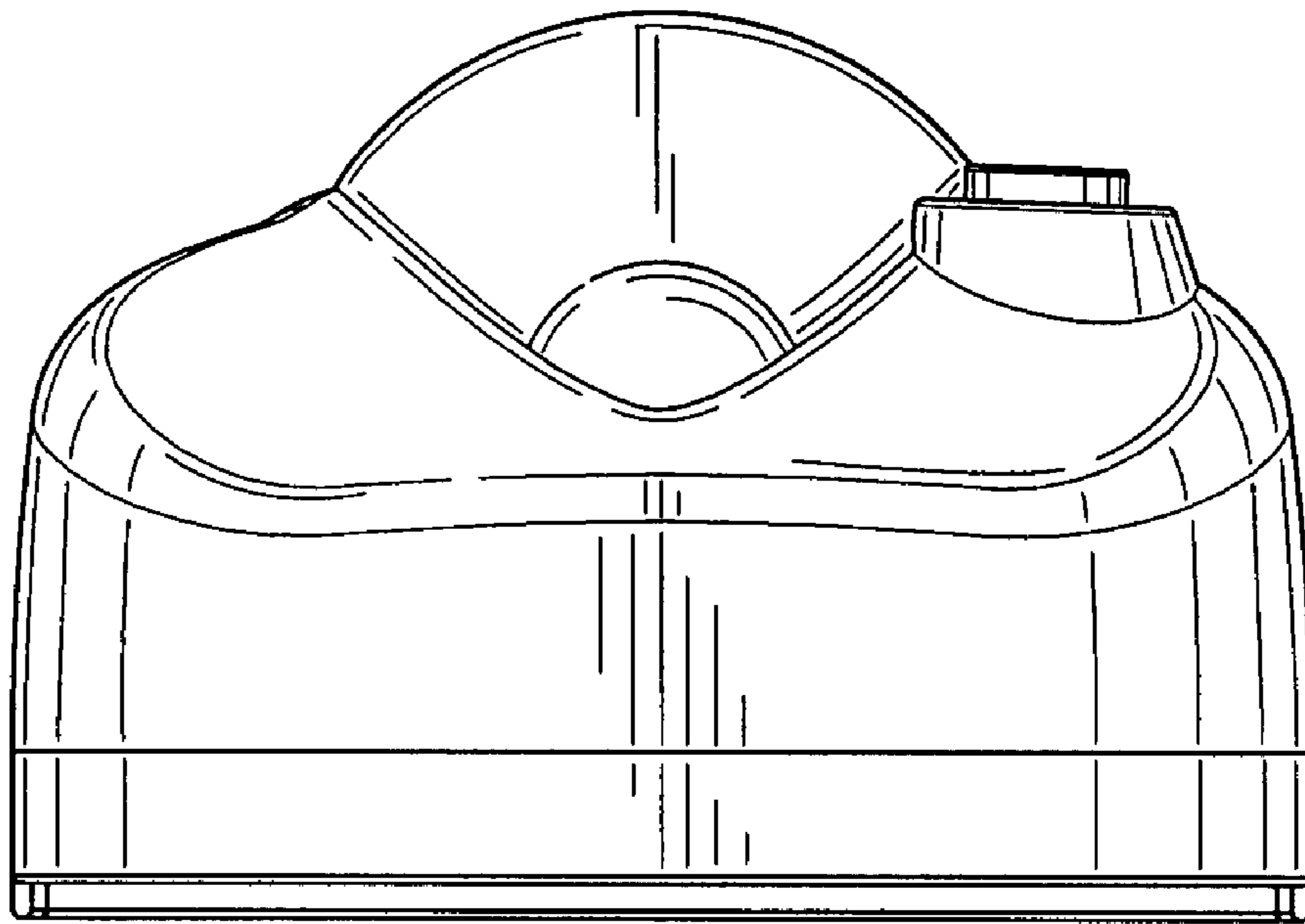


FIG. 4

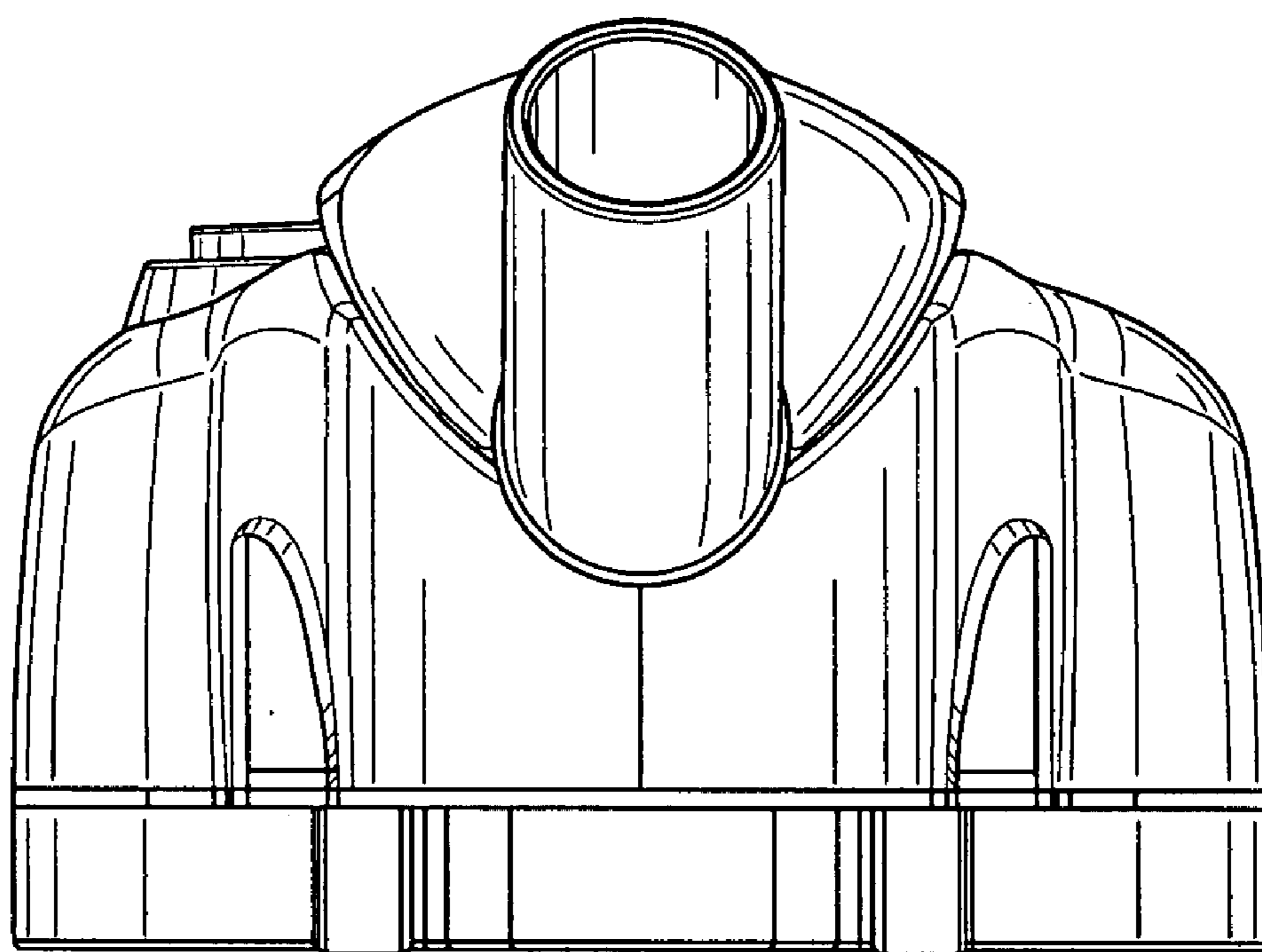


FIG. 5

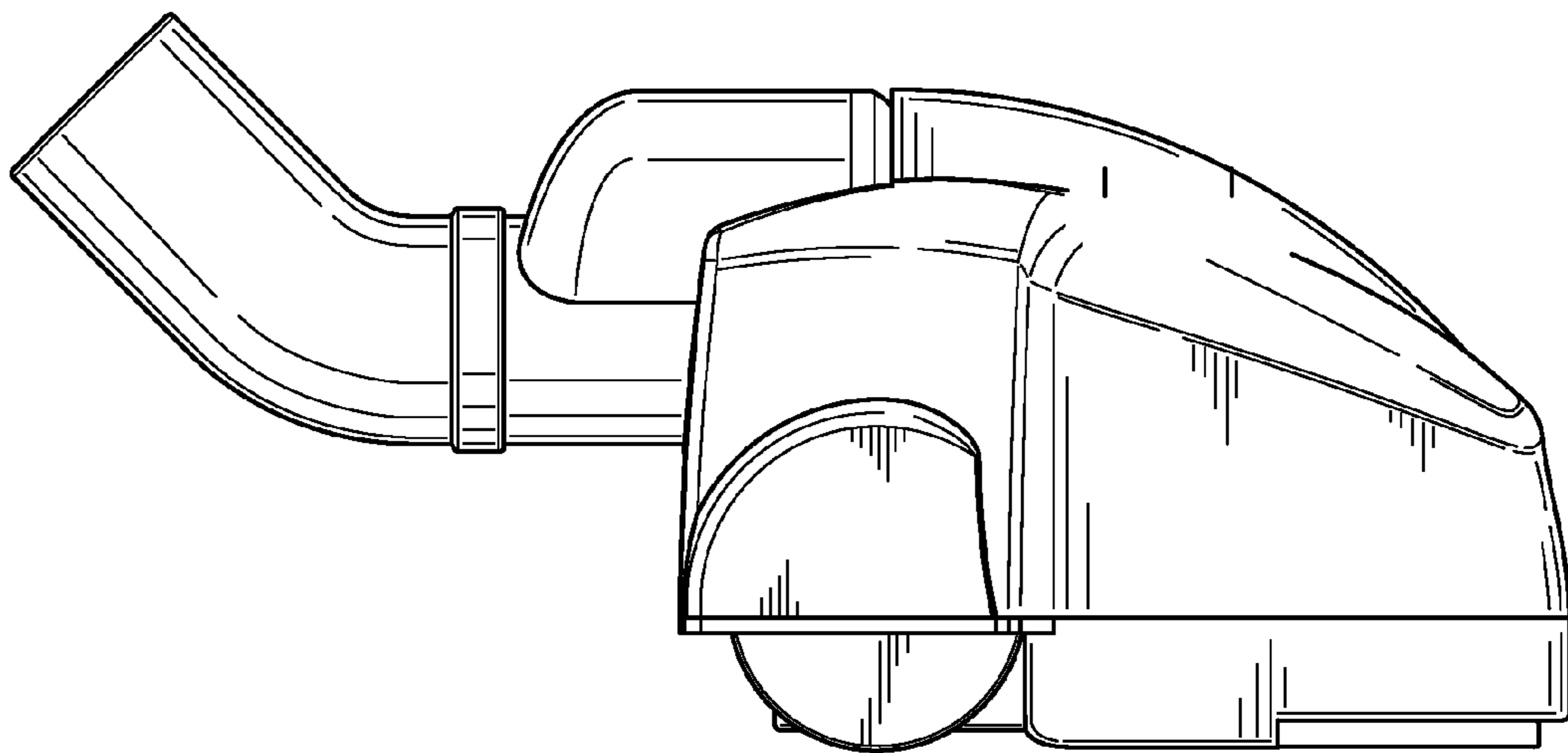


FIG. 6

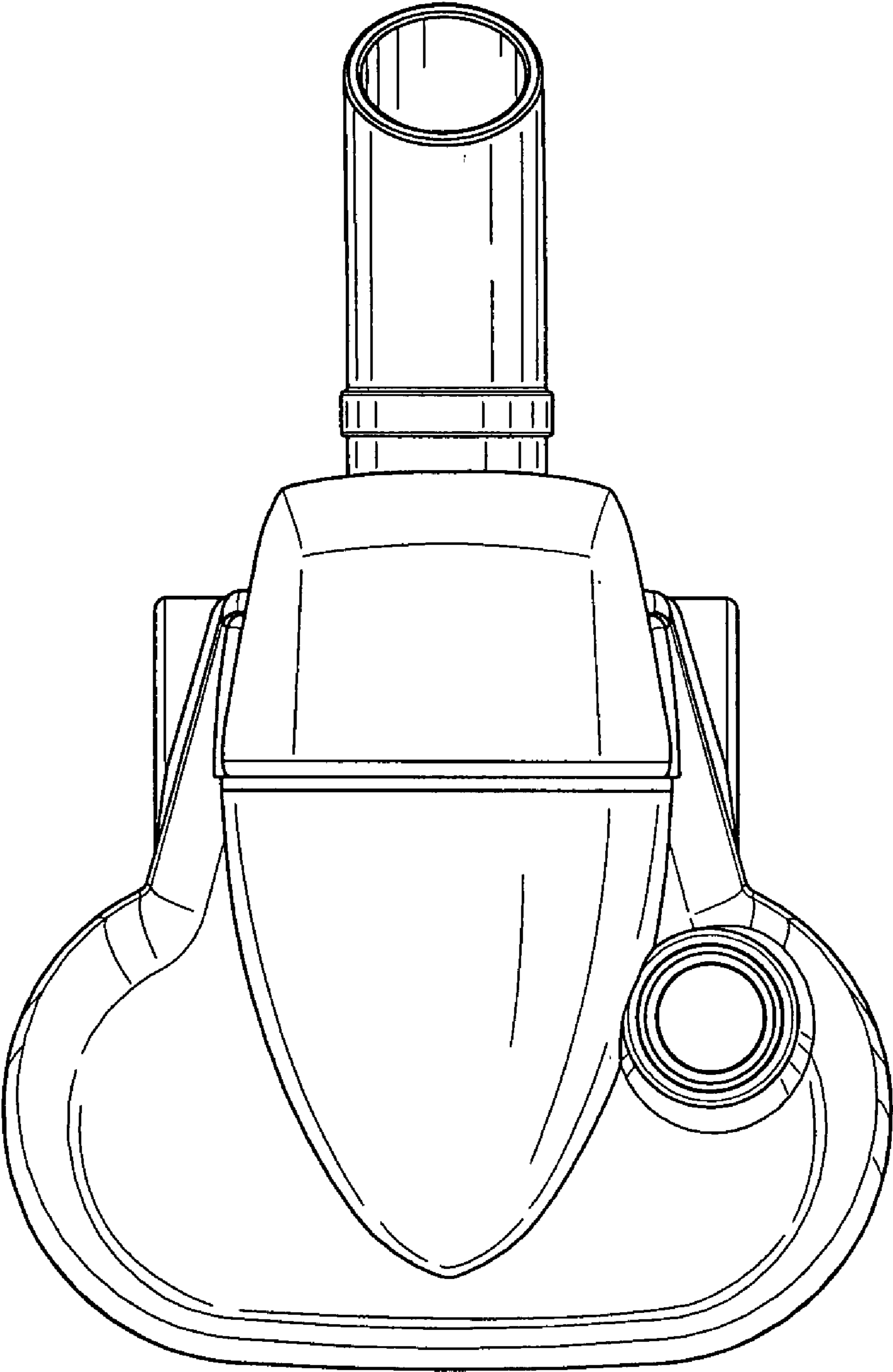


FIG. 7

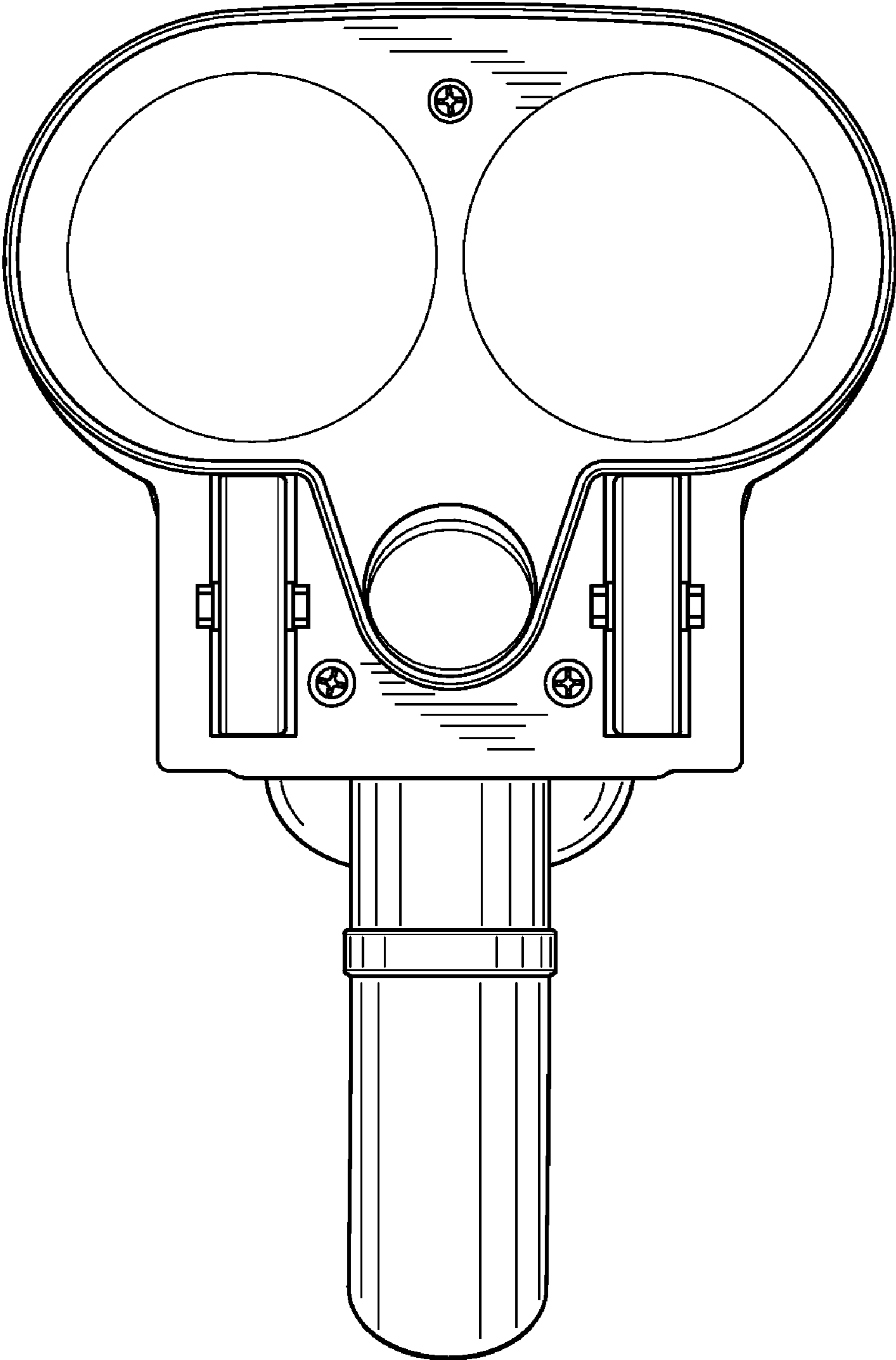


FIG. 8

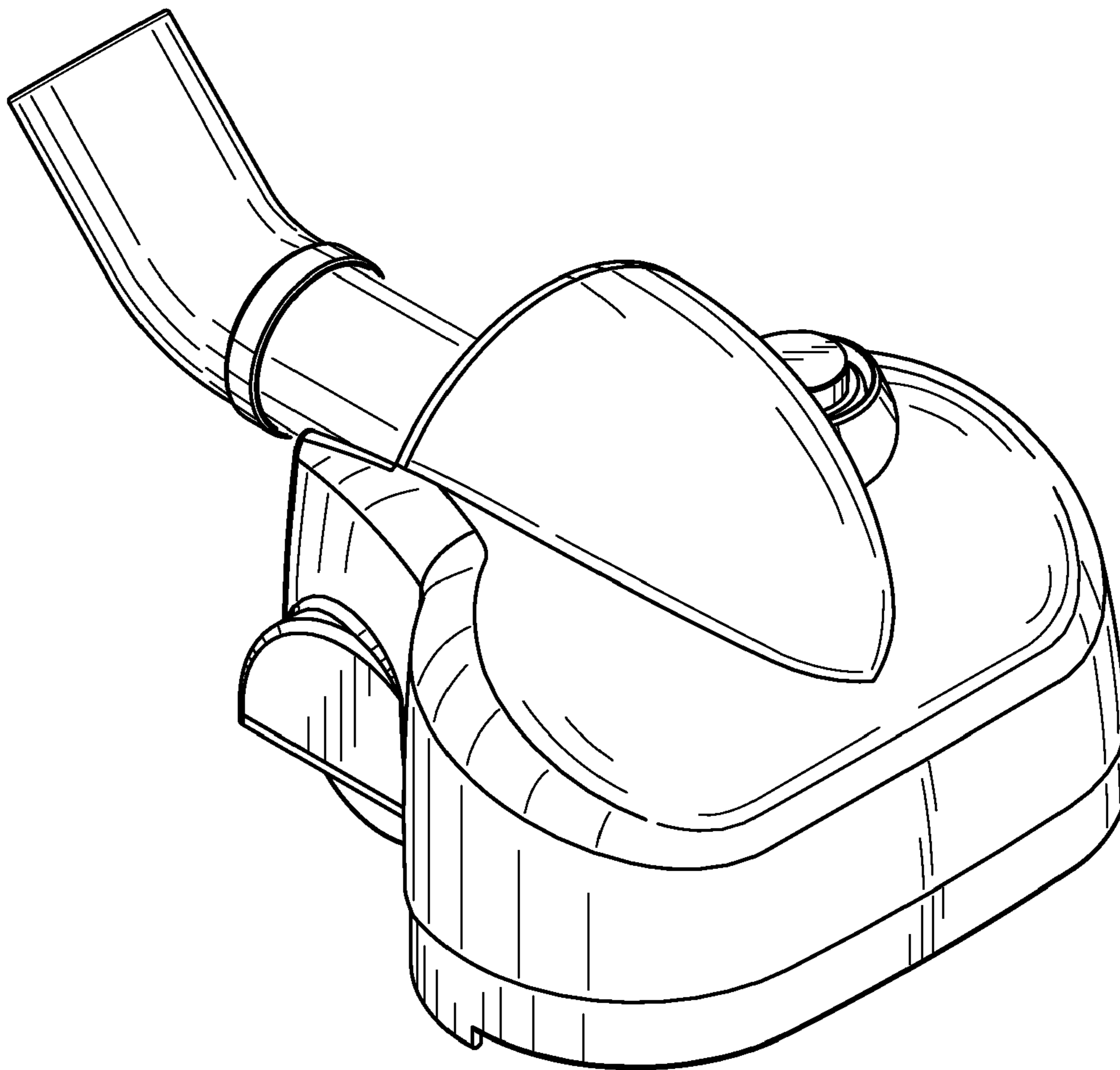


FIG. 9

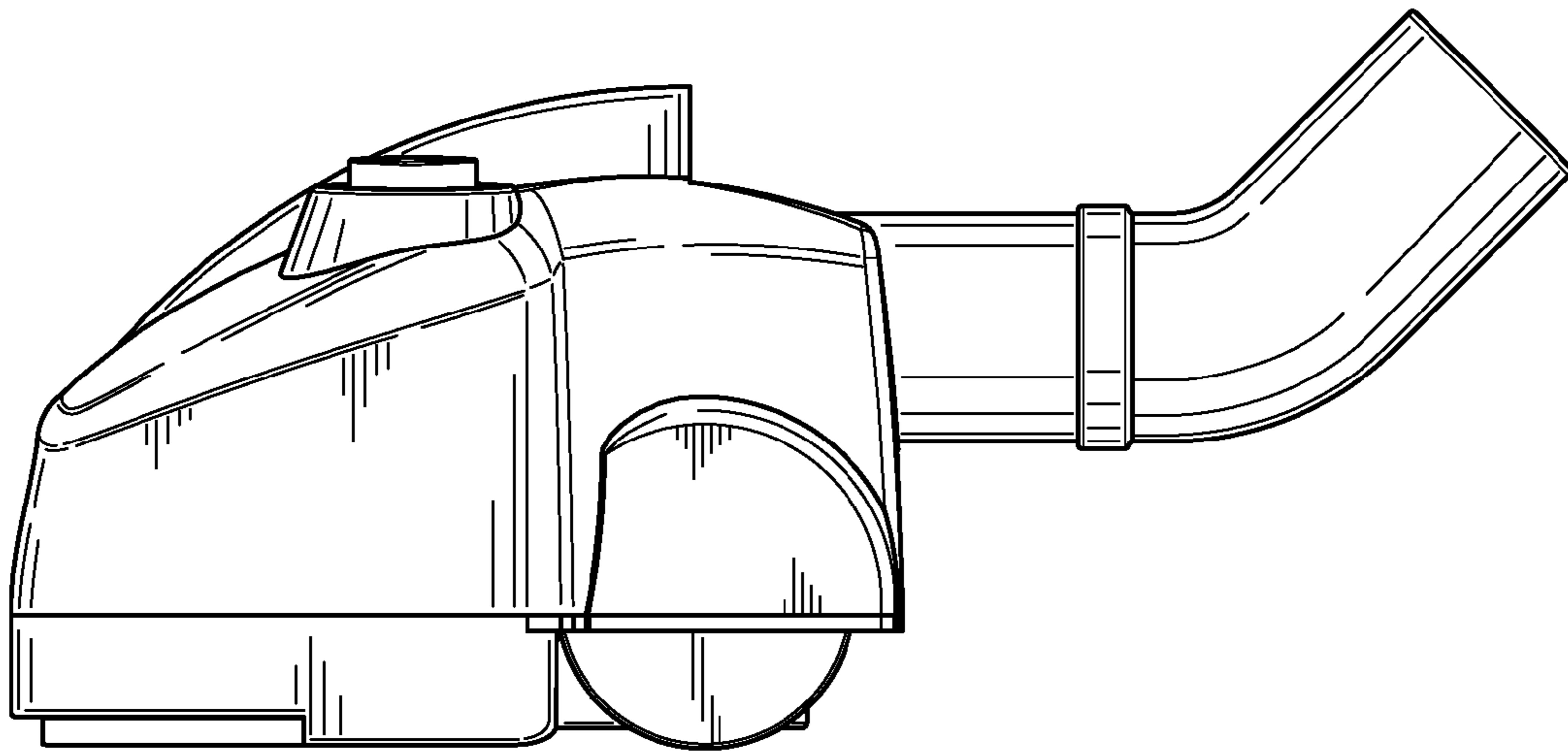


FIG. 10

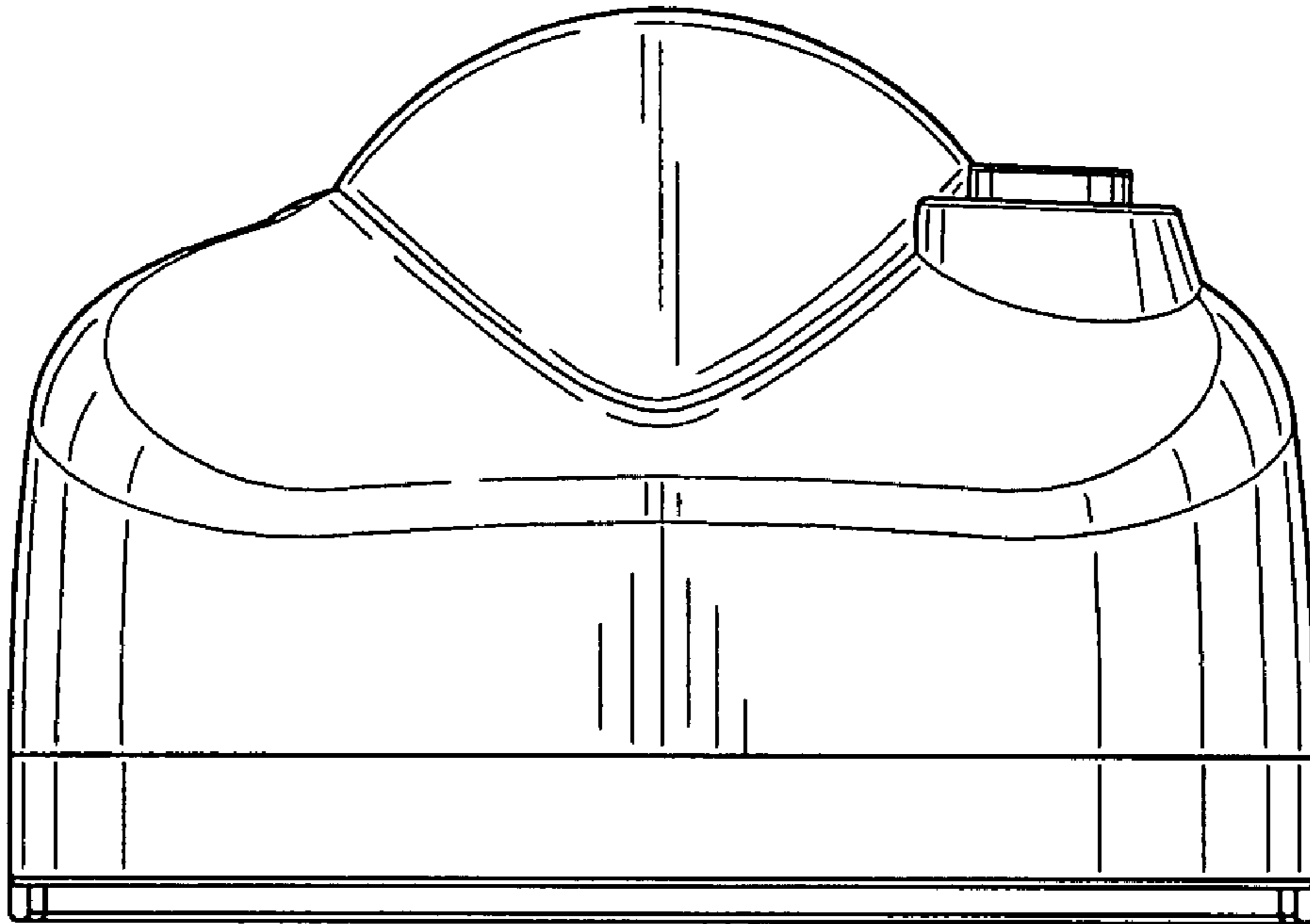


FIG. 11

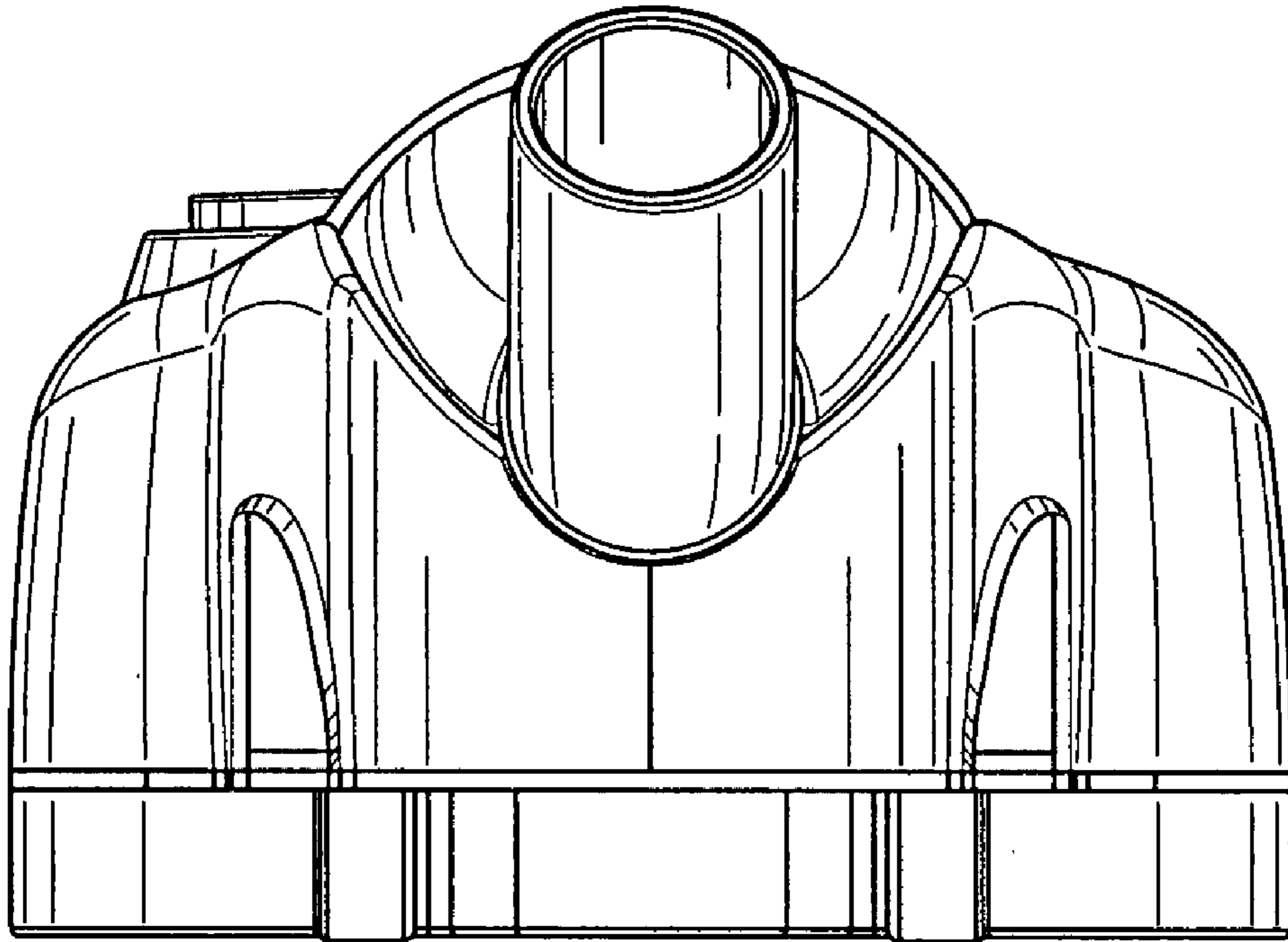


FIG. 12

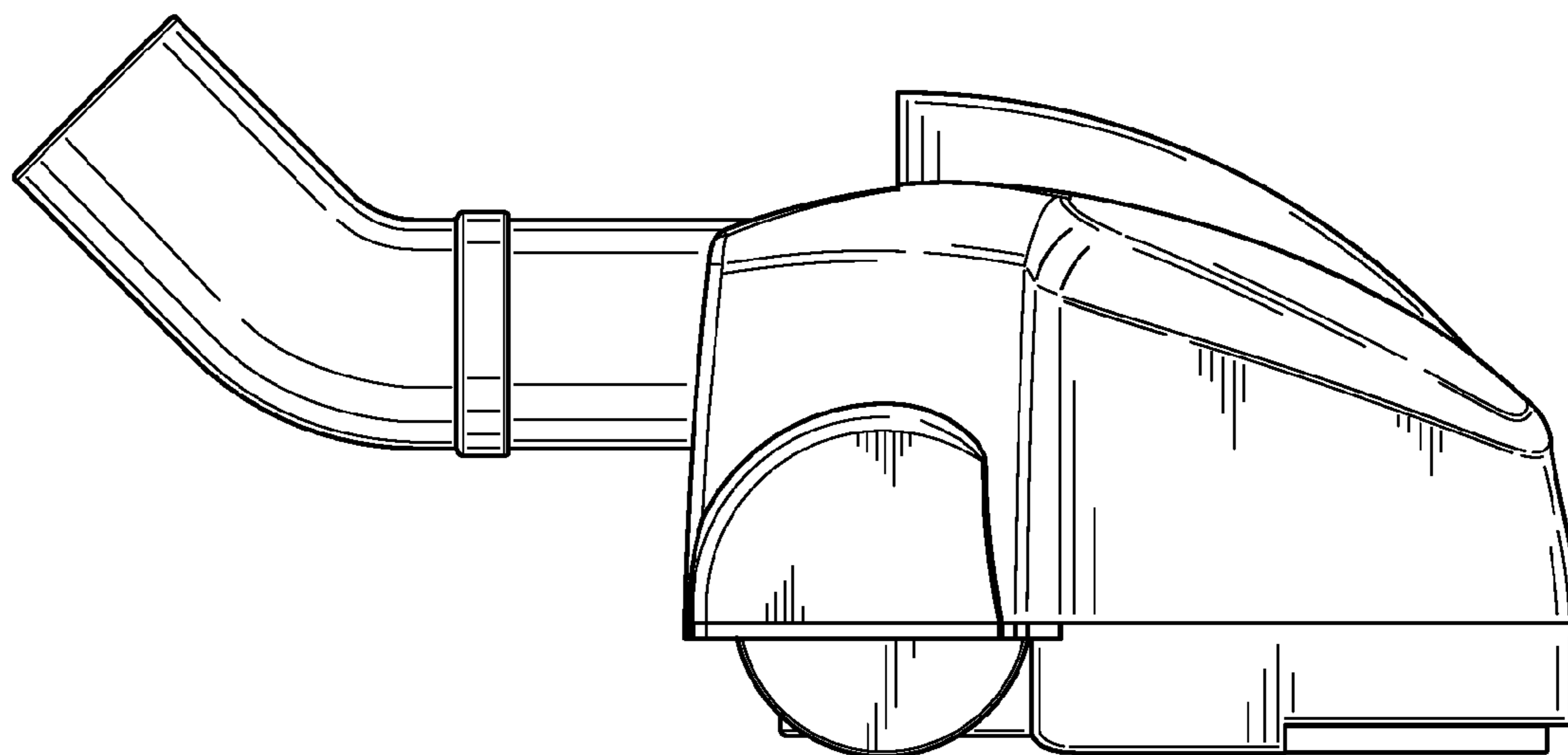


FIG. 13

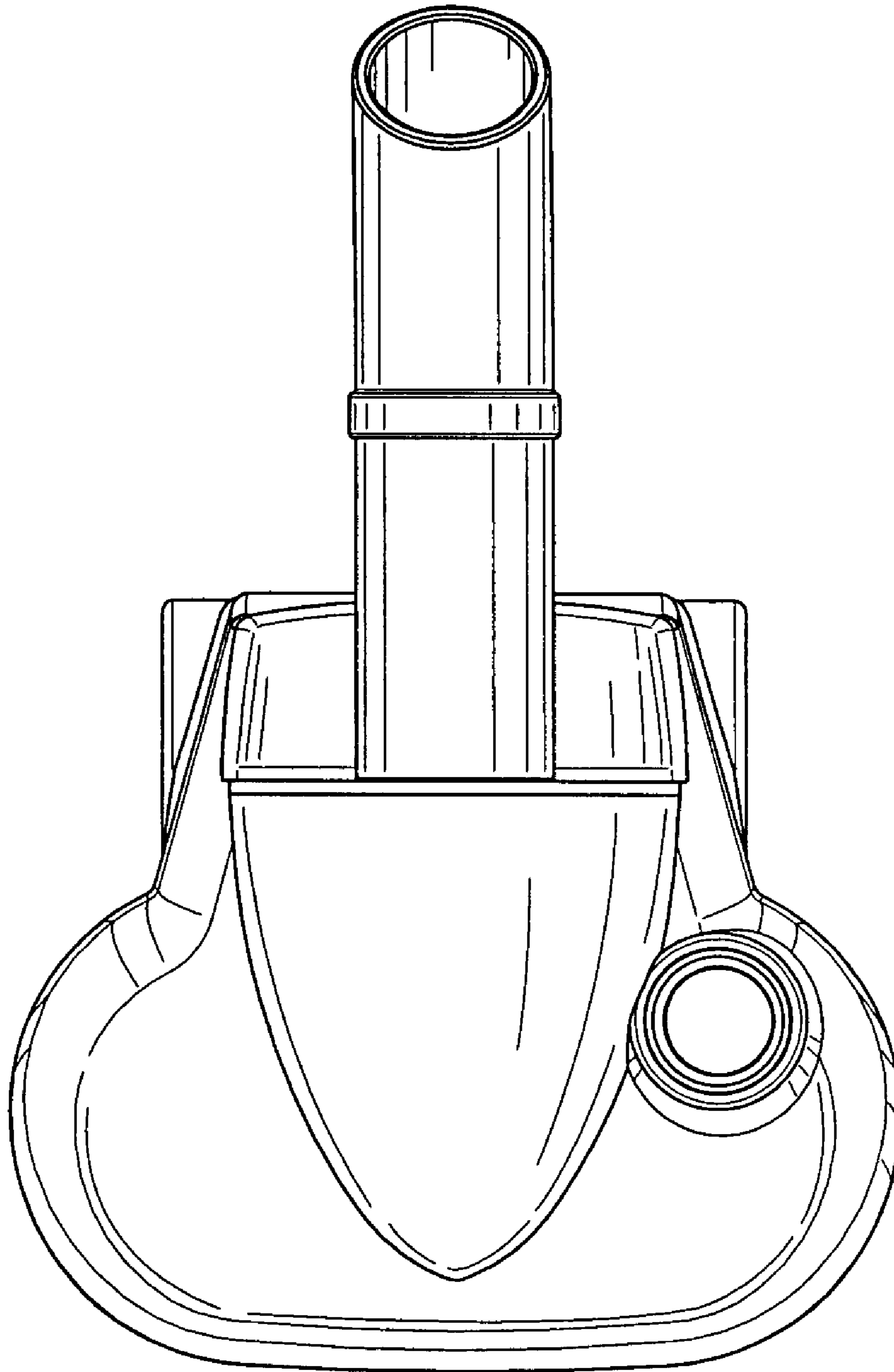


FIG. 14

