



US00D566350S

(12) **United States Design Patent**
Leasure

(10) **Patent No.:** **US D566,350 S**

(45) **Date of Patent:** **** Apr. 8, 2008**

(54) **DUST COLLECTOR**

(75) Inventor: **Jeremy D. Leasure**, Jackson, TN (US)

(73) Assignee: **Black & Decker Inc.**, Newark, DE (US)

(**) Term: **14 Years**

(21) Appl. No.: **29/288,707**

(22) Filed: **Jun. 20, 2007**

(51) **LOC (8) Cl.** **15-05**

(52) **U.S. Cl.** **D32/21**

(58) **Field of Classification Search** D15/199;
D32/1, 15, 17, 21, 23, 31; 15/320, 321, 327.1,
15/327.2, 327.4, 327.6, 327.7, 329, 353;
55/315, 356, 428-429, 459.4, 472, 482; 134/21,
134/105, 198; 144/252.1, 315; 451/453,
451/456

See application file for complete search history.

(56) **References Cited**

U.S. PATENT DOCUMENTS

5,169,420	A	12/1992	Chen	
5,223,005	A *	6/1993	Avondoglio	55/429
D357,094	S	4/1995	Lin	
D358,234	S	5/1995	Lin	
6,221,135	B1 *	4/2001	Wirth et al.	55/356
6,507,974	B1	1/2003	Cheng	
6,797,046	B2 *	9/2004	Wang	55/429
D501,964	S	2/2005	Cheng	

D502,297	S	2/2005	Cheng	
D521,695	S *	5/2006	Jacobs et al.	D32/21
7,044,991	B2	5/2006	Wang	
D527,852	S *	9/2006	Tsai	D32/1
D533,321	S	12/2006	Peng	
D547,506	S *	7/2007	Medema et al.	D32/31
2006/0162568	A1 *	7/2006	Arai	96/316

* cited by examiner

Primary Examiner—Antoine D. Davis

Assistant Examiner—Patricia Palasik

(74) *Attorney, Agent, or Firm*—Mehul R. Jani; Adan Ayala; Charles Yocum

(57) **CLAIM**

The ornamental design for a dust collector, as shown and described.

DESCRIPTION

FIG. 1 is a perspective view of a dust collector showing the new design.

FIG. 2 is a right side view thereof.

FIG. 3 is a left side view thereof.

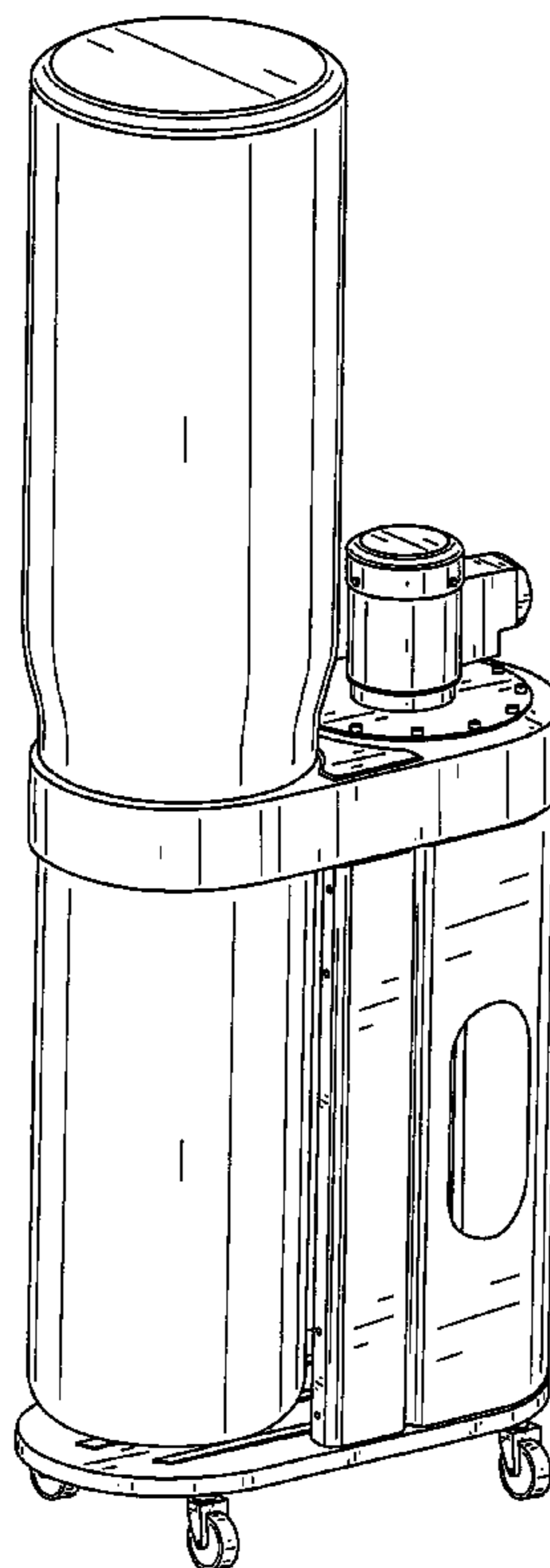
FIG. 4 is a front view thereof.

FIG. 5 is a rear view thereof.

FIG. 6 is a top plan view thereof; and,

FIG. 7 is a bottom plan view thereof.

1 Claim, 6 Drawing Sheets



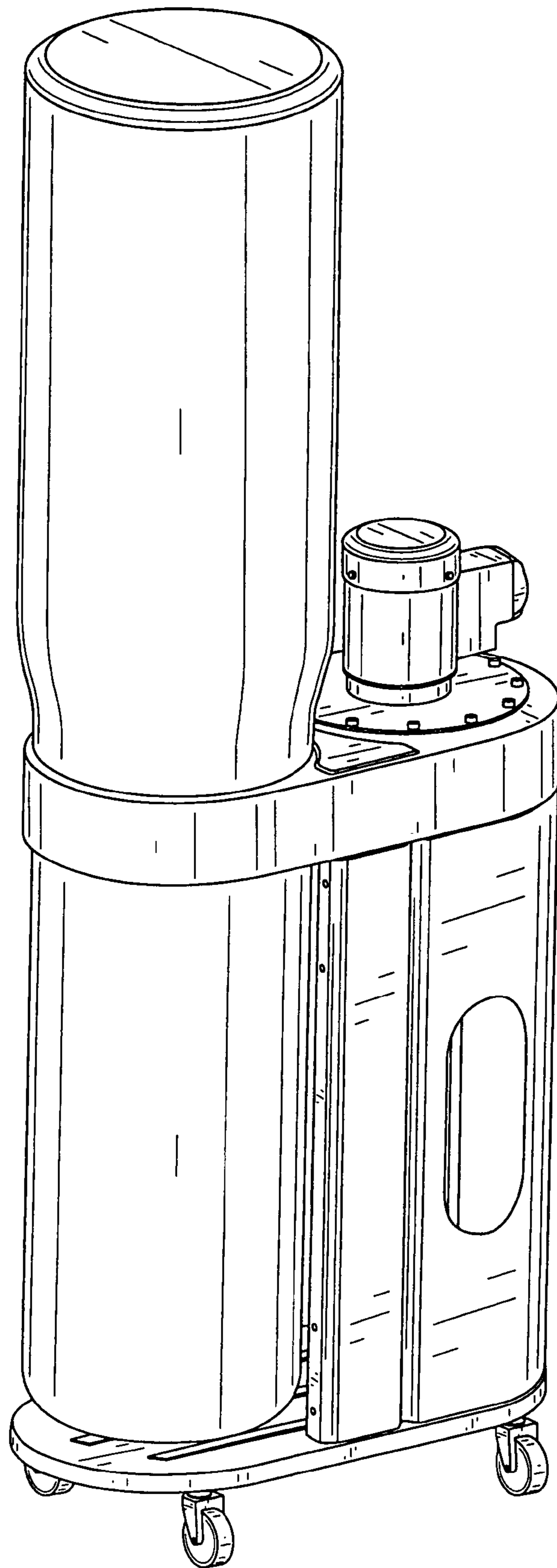


FIG. 1

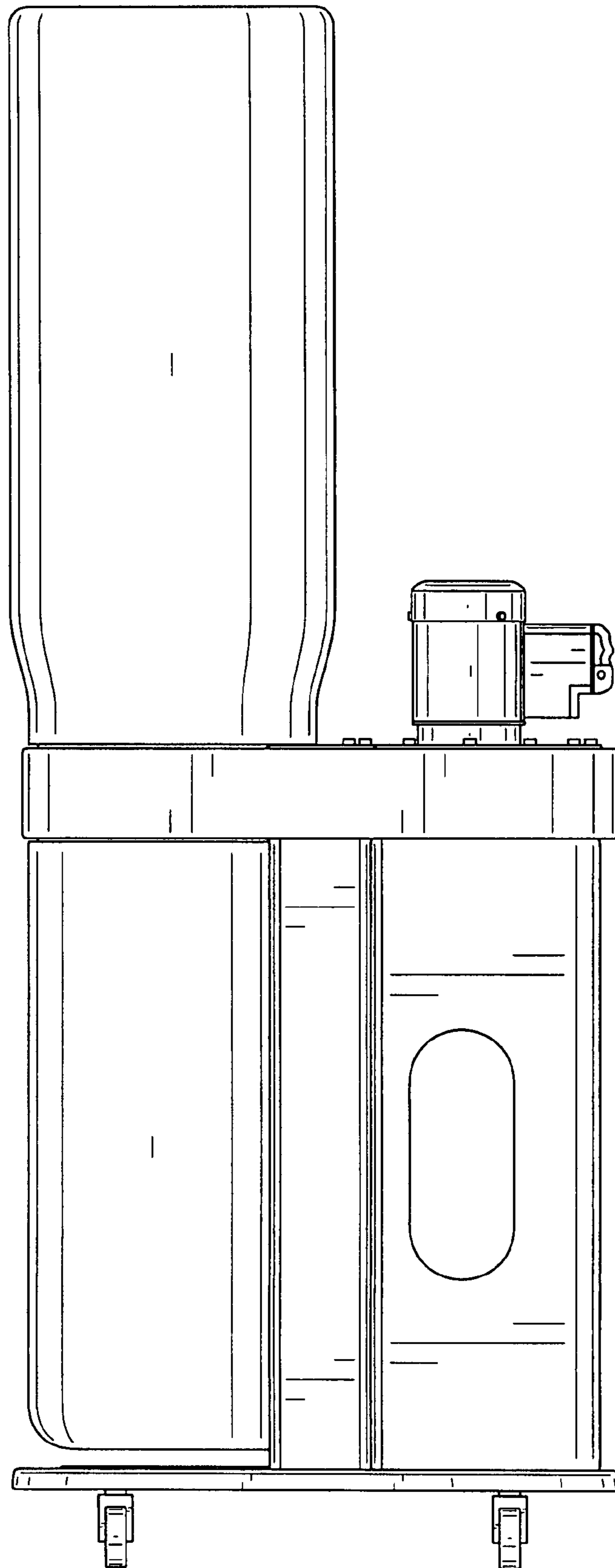


FIG. 2

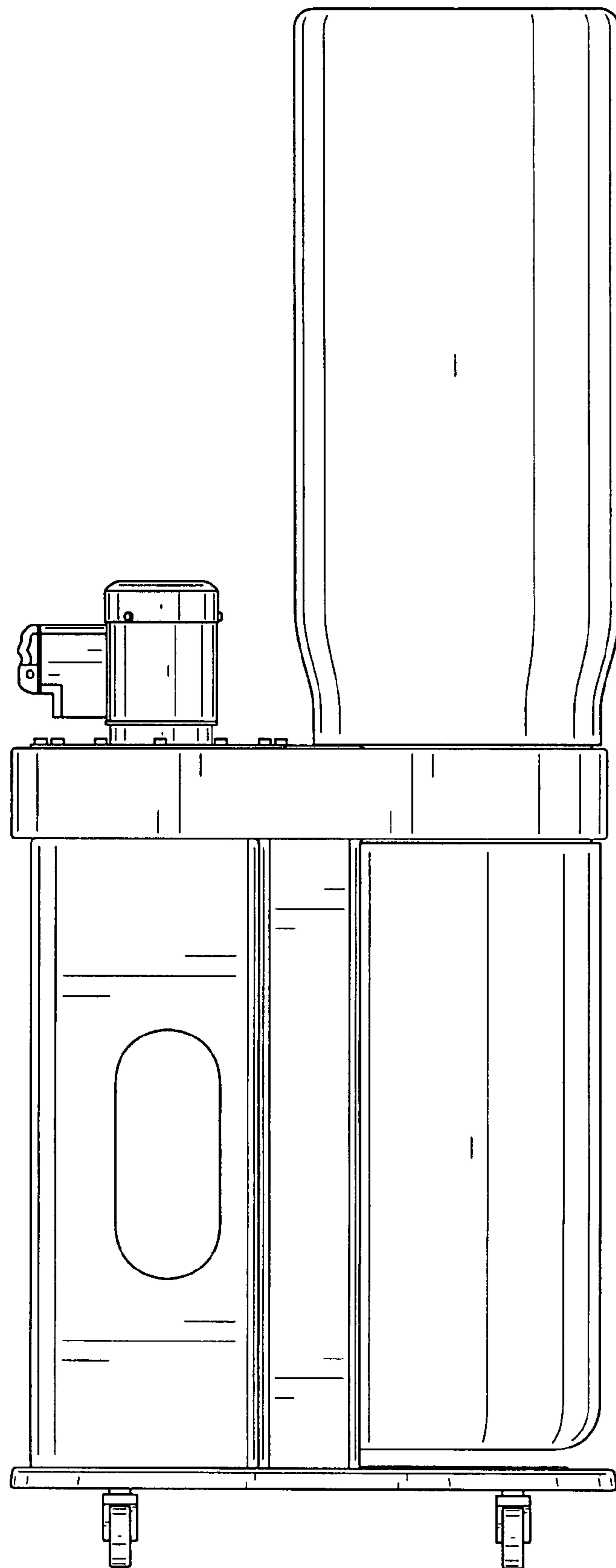


FIG. 3

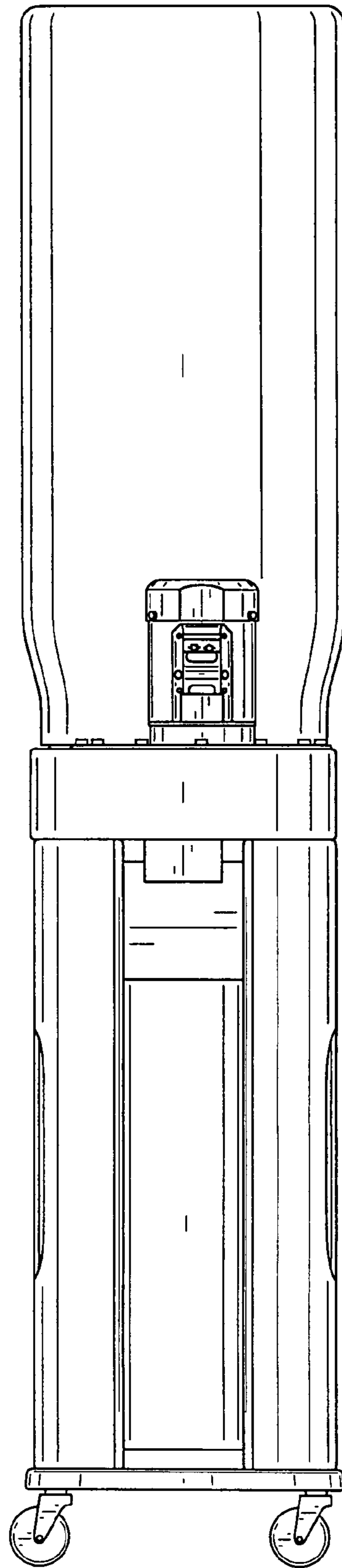


FIG. 4

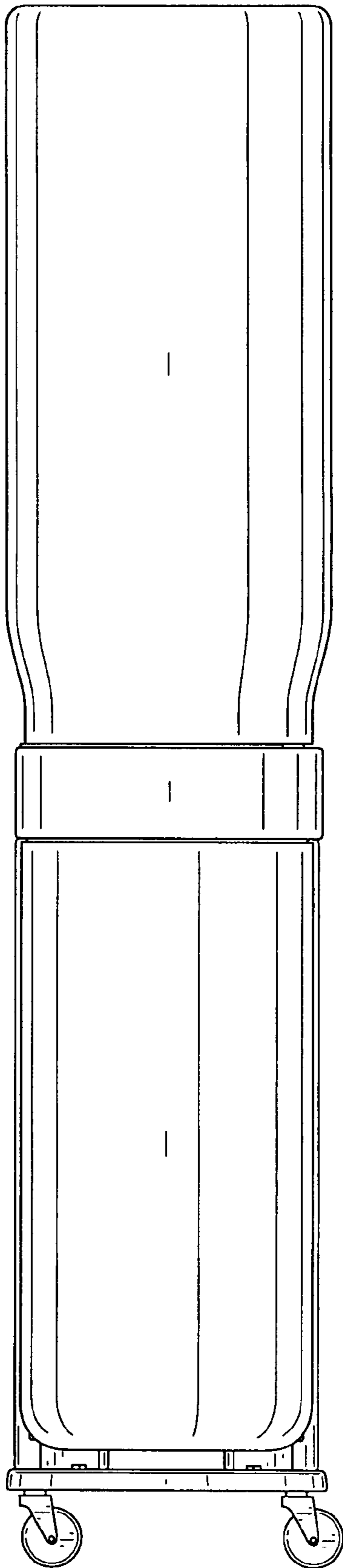


FIG. 5

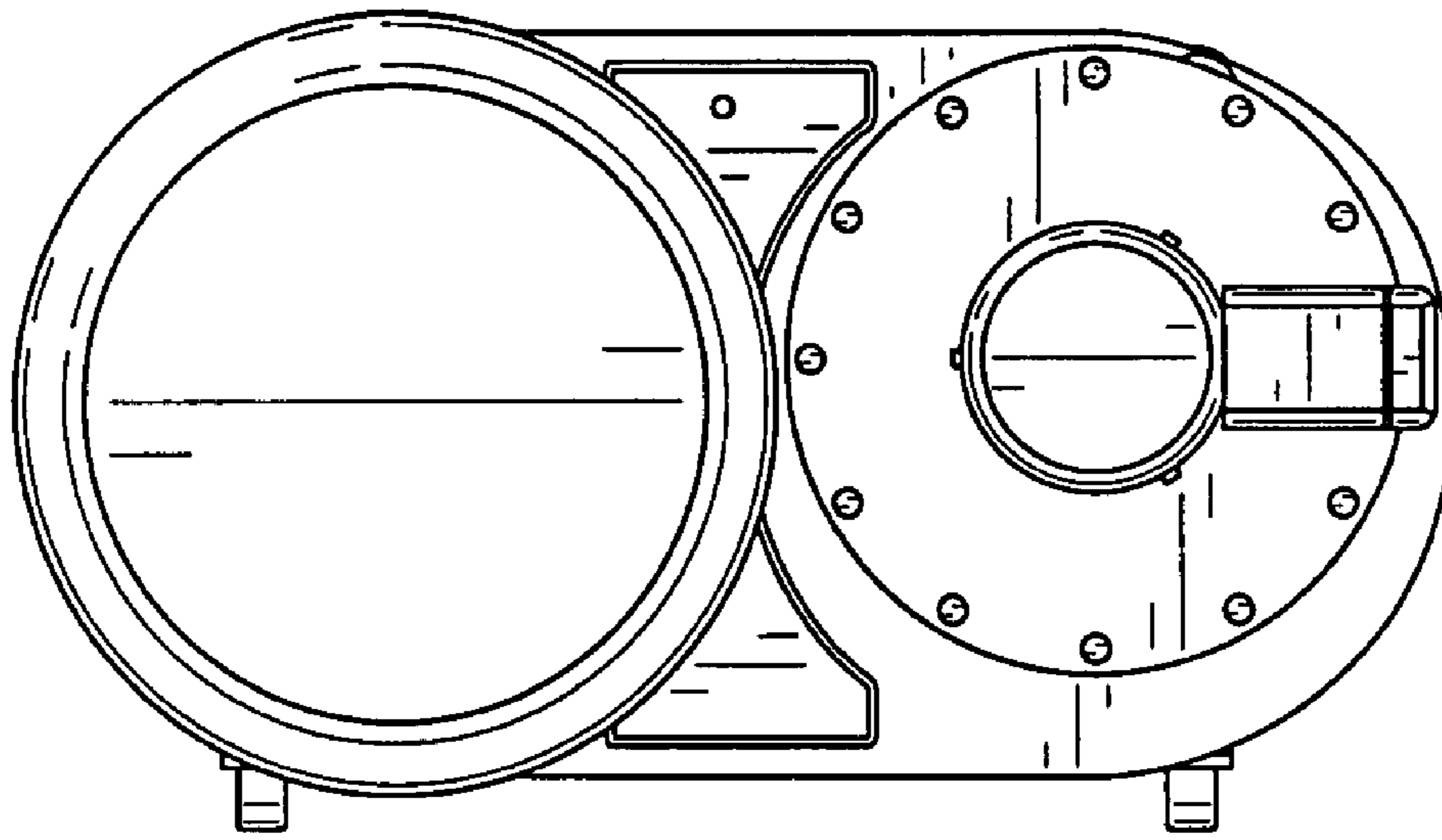


FIG. 6

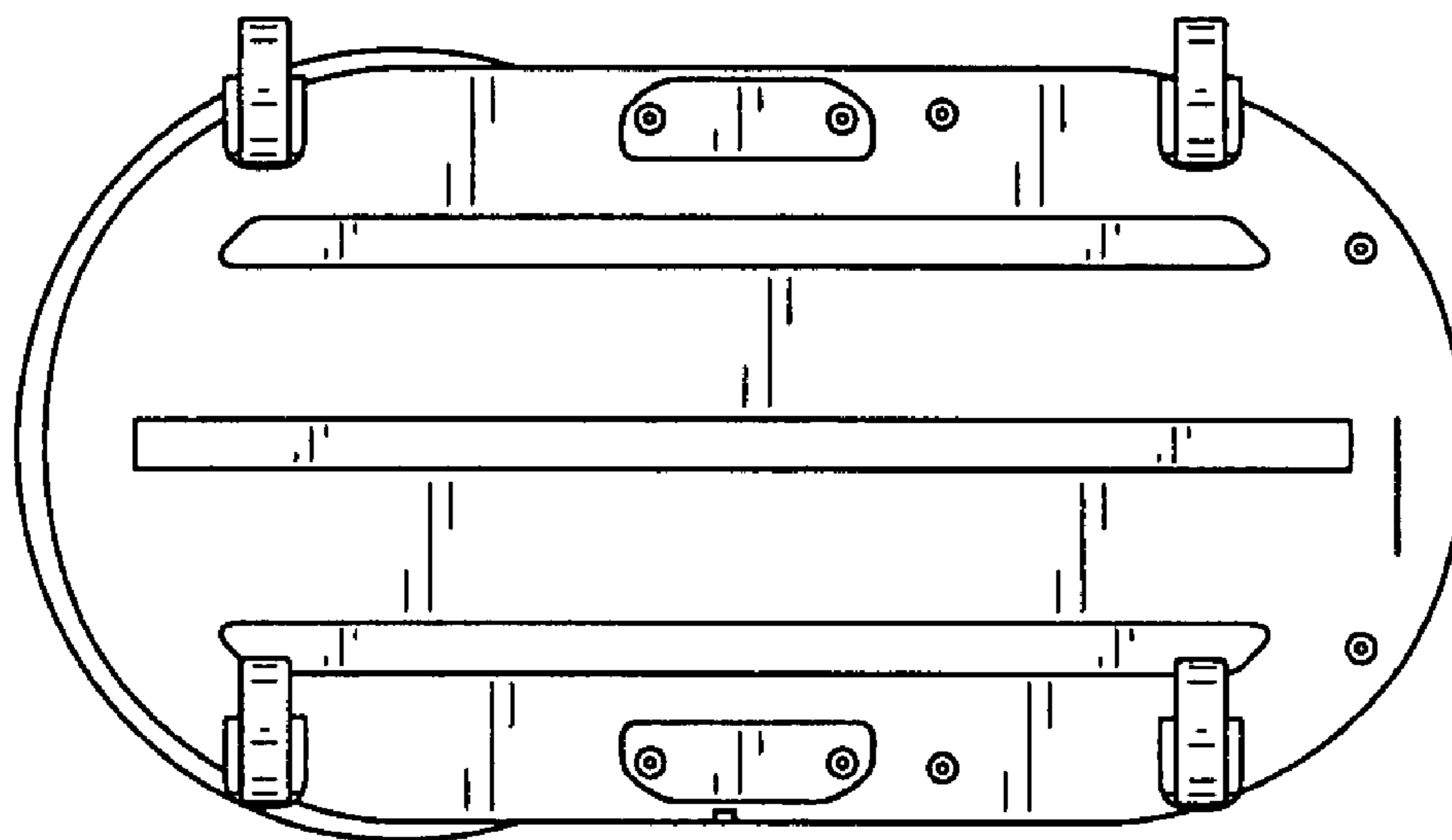


FIG. 7