



US00D566347S

(12) **United States Design Patent**
Cao et al.

(10) **Patent No.:** **US D566,347 S**
(45) **Date of Patent:** **** Apr. 8, 2008**

(54) **DRUM TYPE WASHING MACHINE**
(75) Inventors: **Chunhua Cao**, Qingdao (CN); **Yuliang Jiang**, Qingdao (CN); **Wenwei Li**, Qingdao (CN); **Song Jiang**, Qingdao (CN)

(73) Assignees: **Haier Group Corporation**, Shandong Province (CN); **Haier Indesit (Qingdao) Washing Machine Co., Ltd.**, Shandong Province (CN)

(**) Term: **14 Years**

(21) Appl. No.: **29/275,149**

(22) Filed: **Dec. 14, 2006**

(30) **Foreign Application Priority Data**
Jun. 16, 2006 (CN) 2006 3 0092777

(51) **LOC (8) Cl.** **15-05**
(52) **U.S. Cl.** **D32/1**
(58) **Field of Classification Search** D32/1,
D32/5, 25, 6, 8; 34/523-524, 58, 108, 417,
34/130-132, 595-597, 499, 534, 600, 603;
68/12.08, 3 R, 5 R, 12.01; 312/31
See application file for complete search history.

(56) **References Cited**

U.S. PATENT DOCUMENTS

D457,991 S * 5/2002 Baldwin et al. D32/6
D459,844 S * 7/2002 Baldwin et al. D32/6

D465,622 S * 11/2002 Wang et al. D32/6
D502,577 S * 3/2005 Baldwin et al. D32/6
D515,257 S * 2/2006 Geyer D32/6
D517,256 S * 3/2006 Kim D32/6

OTHER PUBLICATIONS

http://us.stll.yimg.com/us.st.yimg.com/l/usappliance_1967_18379473
Sep. 27, 2007.*
http://us.stll.yimg.com/us.st.yimg.com/l/usappliance_1965_28571665 Sep. 27, 2007.*

* cited by examiner

Primary Examiner—Stella M. Reid
Assistant Examiner—Kathleen Sims
(74) *Attorney, Agent, or Firm*—Banger Shia

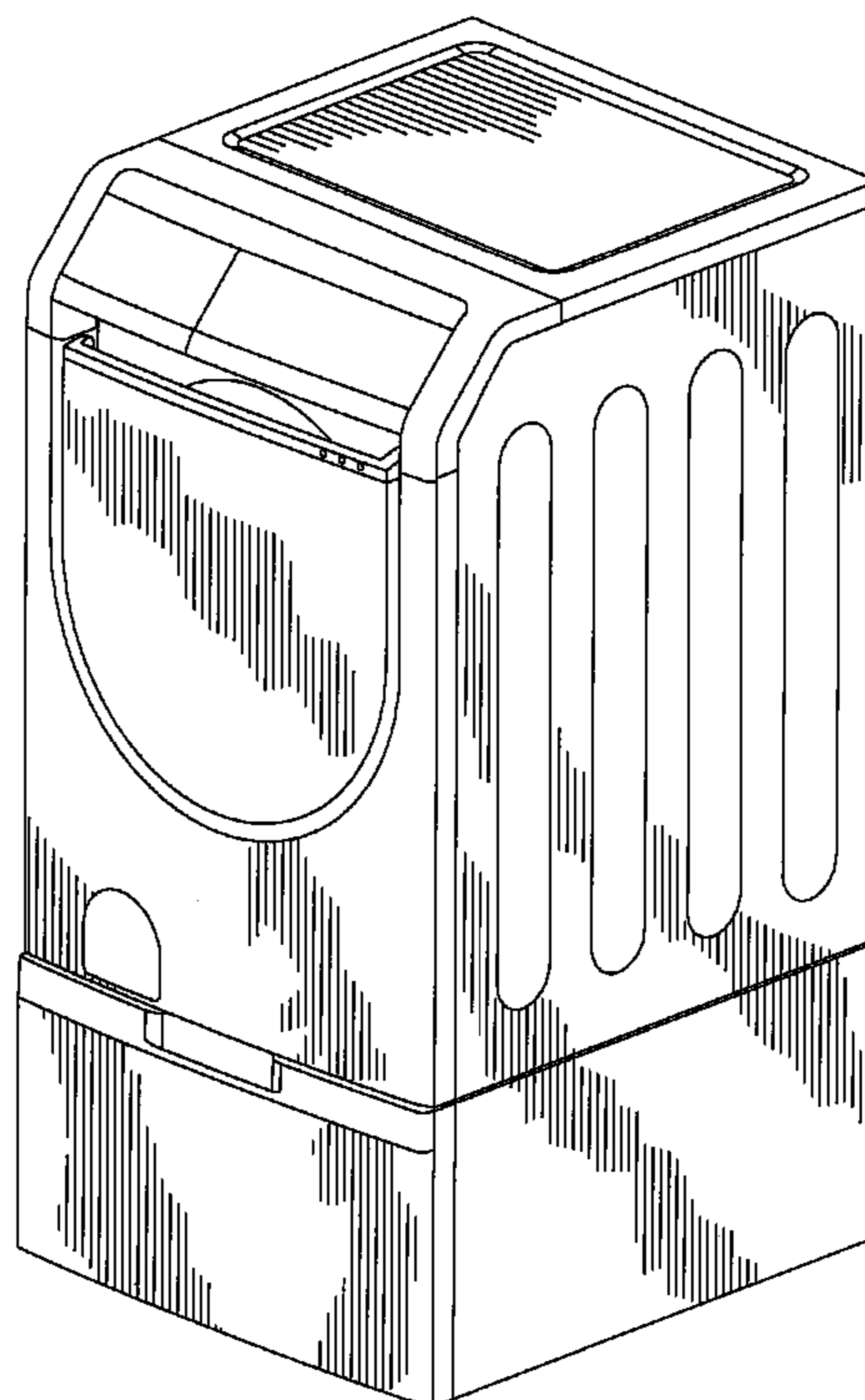
(57) **CLAIM**

The ornamental design for a drum type washing machine, as shown and described.

DESCRIPTION

FIG. 1 is a perspective view of a drum type washing machine showing our new design;
FIG. 2 is a front elevational view thereof;
FIG. 3 is a rear elevational view thereof,
FIG. 4 is a left side elevational view thereof,
FIG. 5 is a right side elevational view thereof,
FIG. 6 is a top plan view thereof; and,
FIG. 7 is a bottom plan view to that shown.

1 Claim, 7 Drawing Sheets



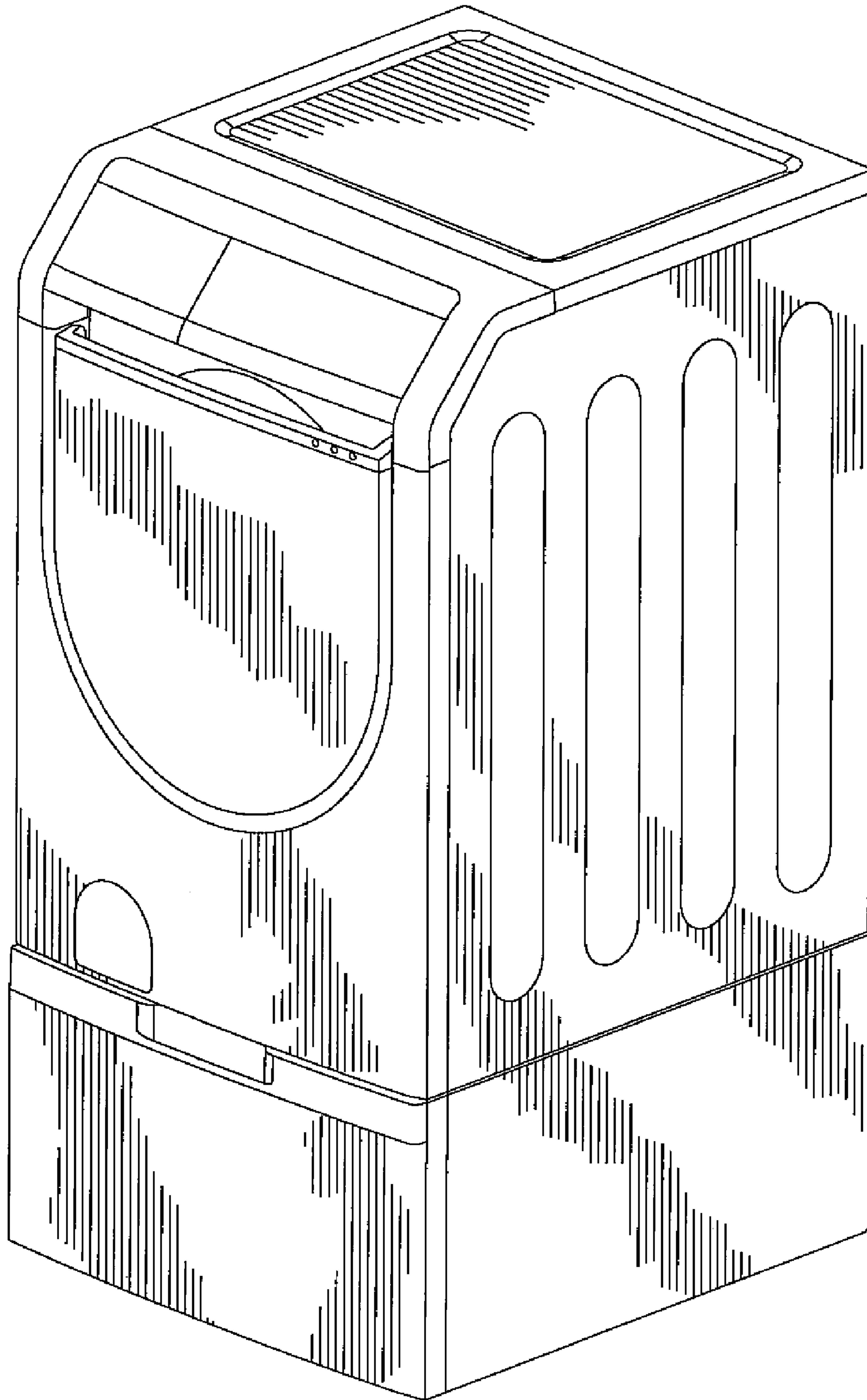


FIG. 1

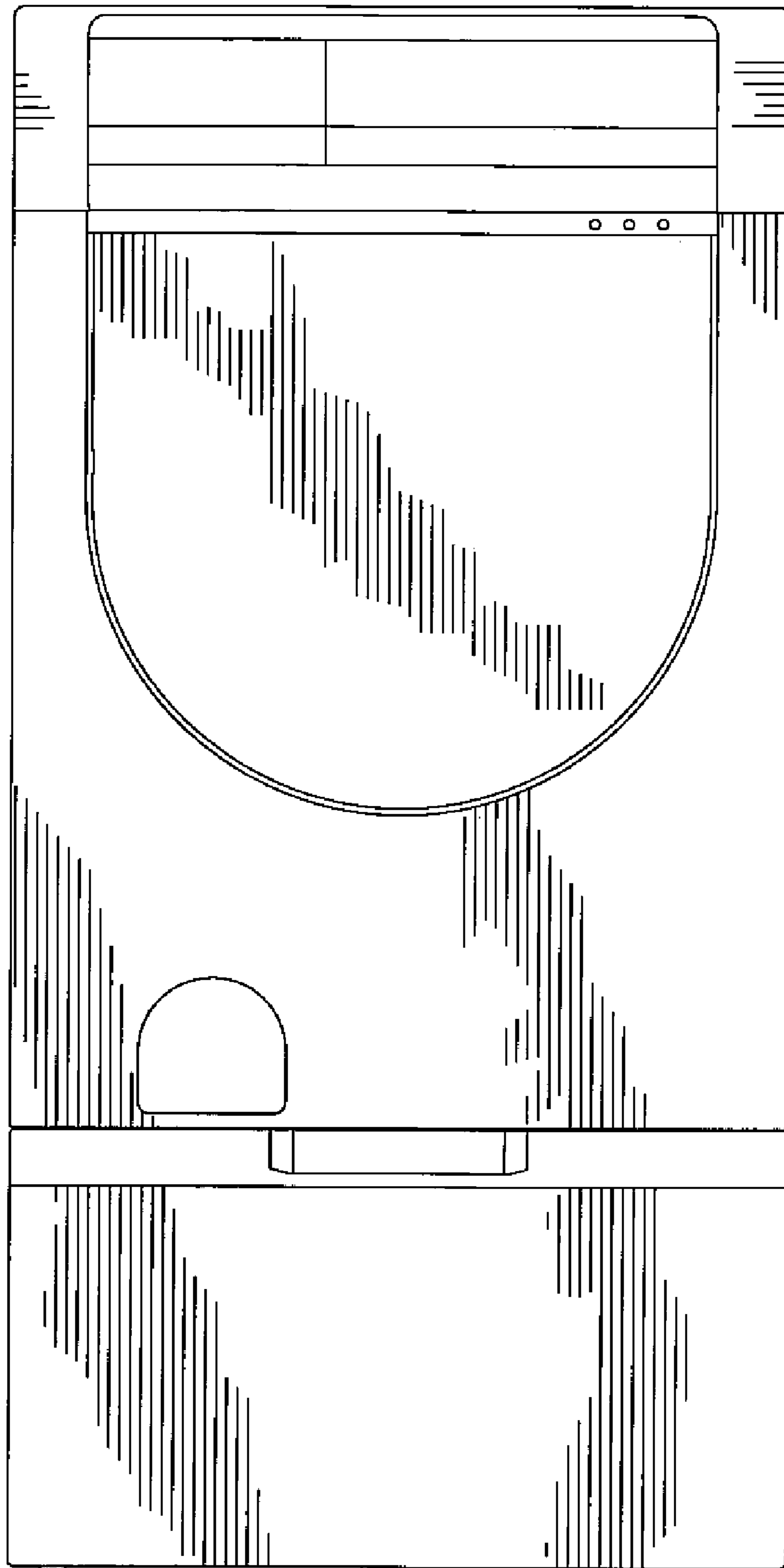


FIG. 2

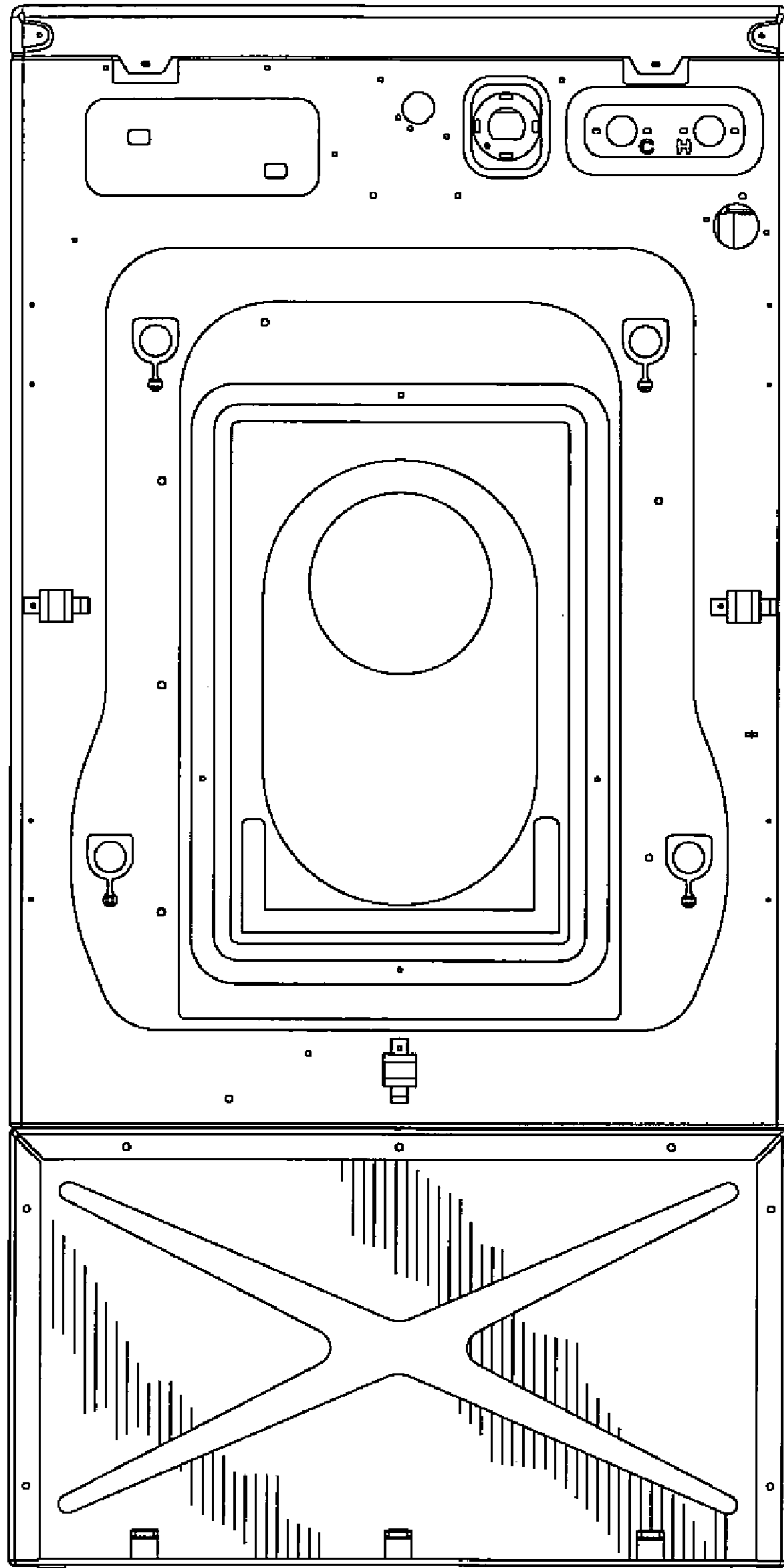


FIG. 3

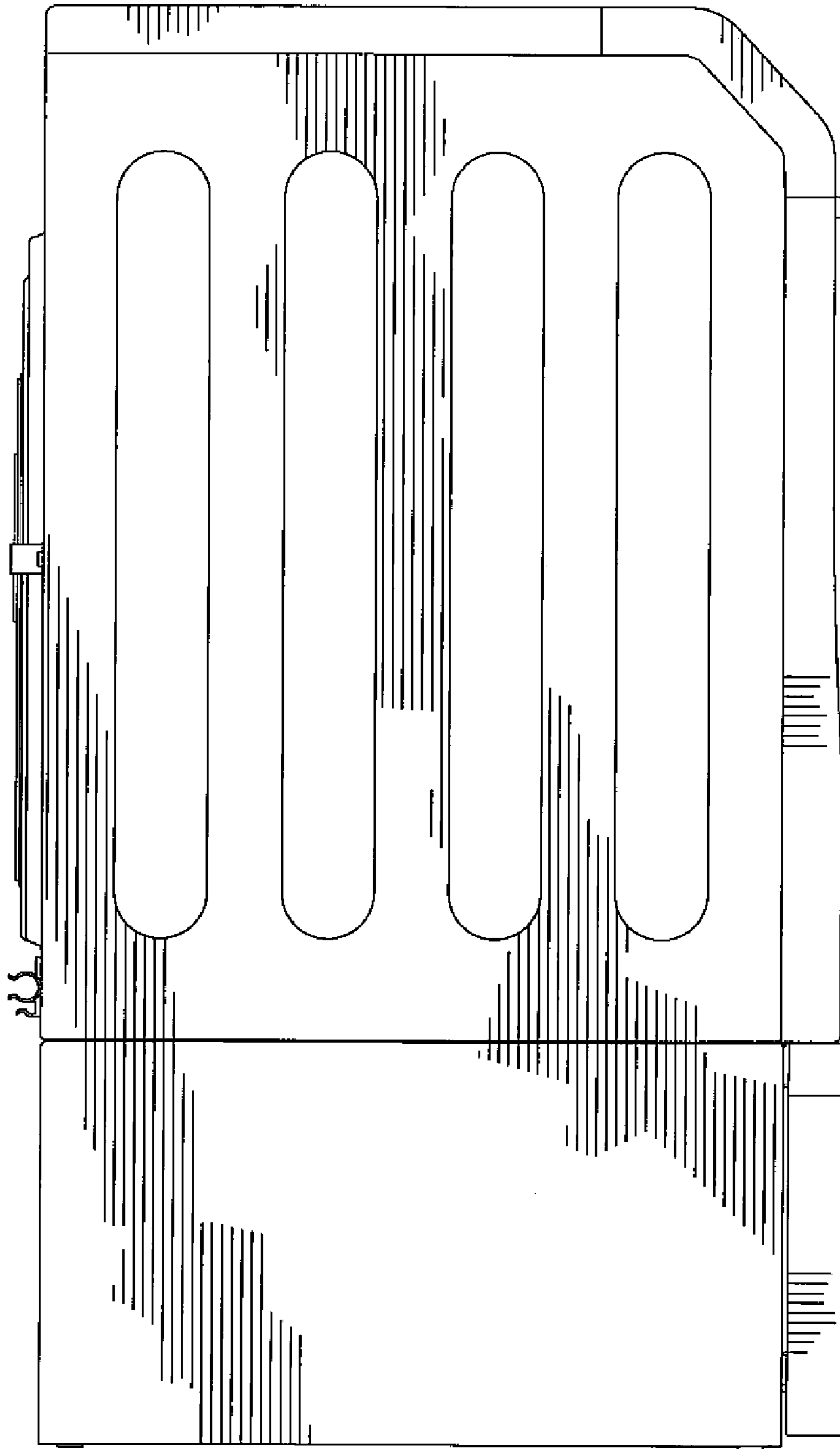


FIG. 4

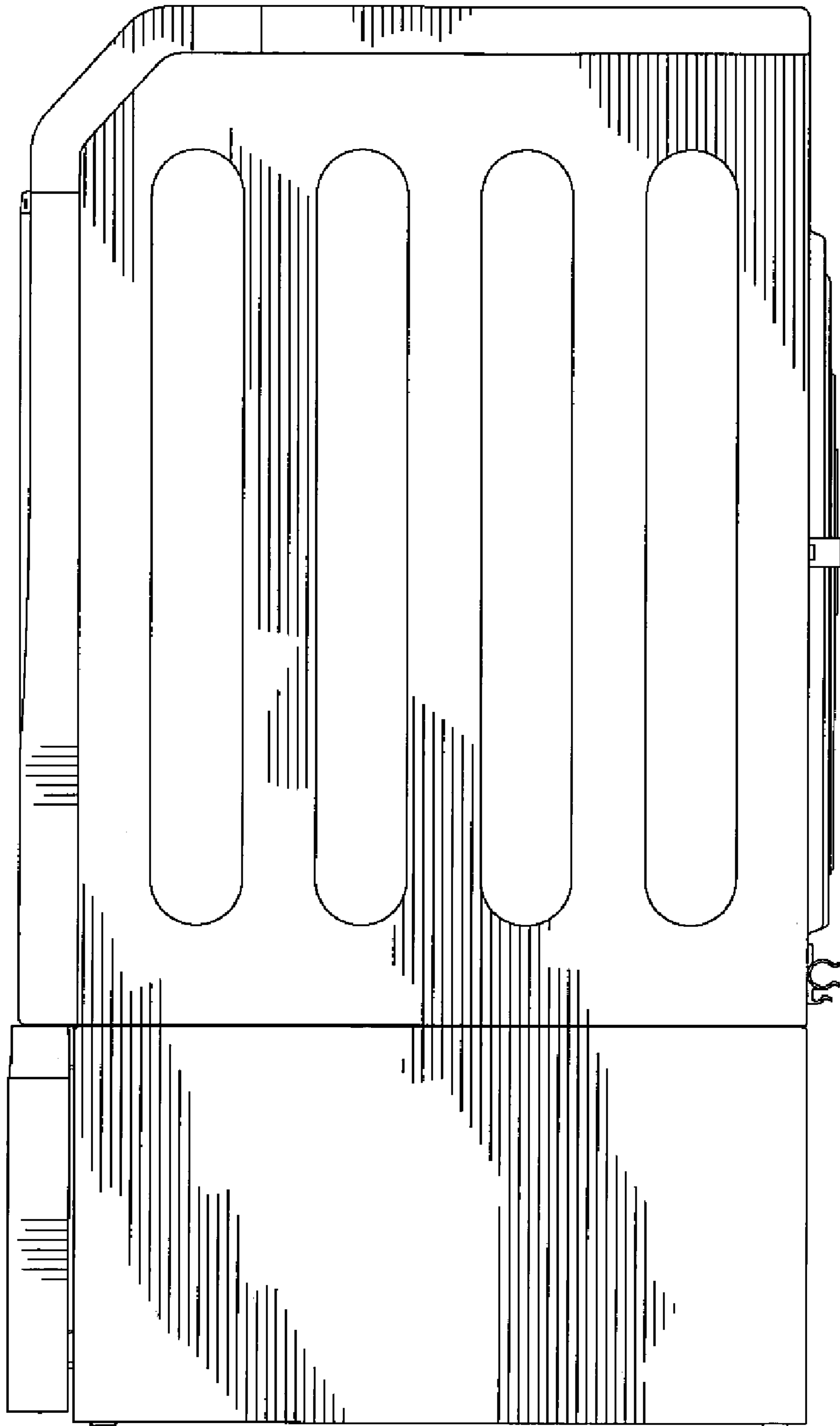


FIG. 5

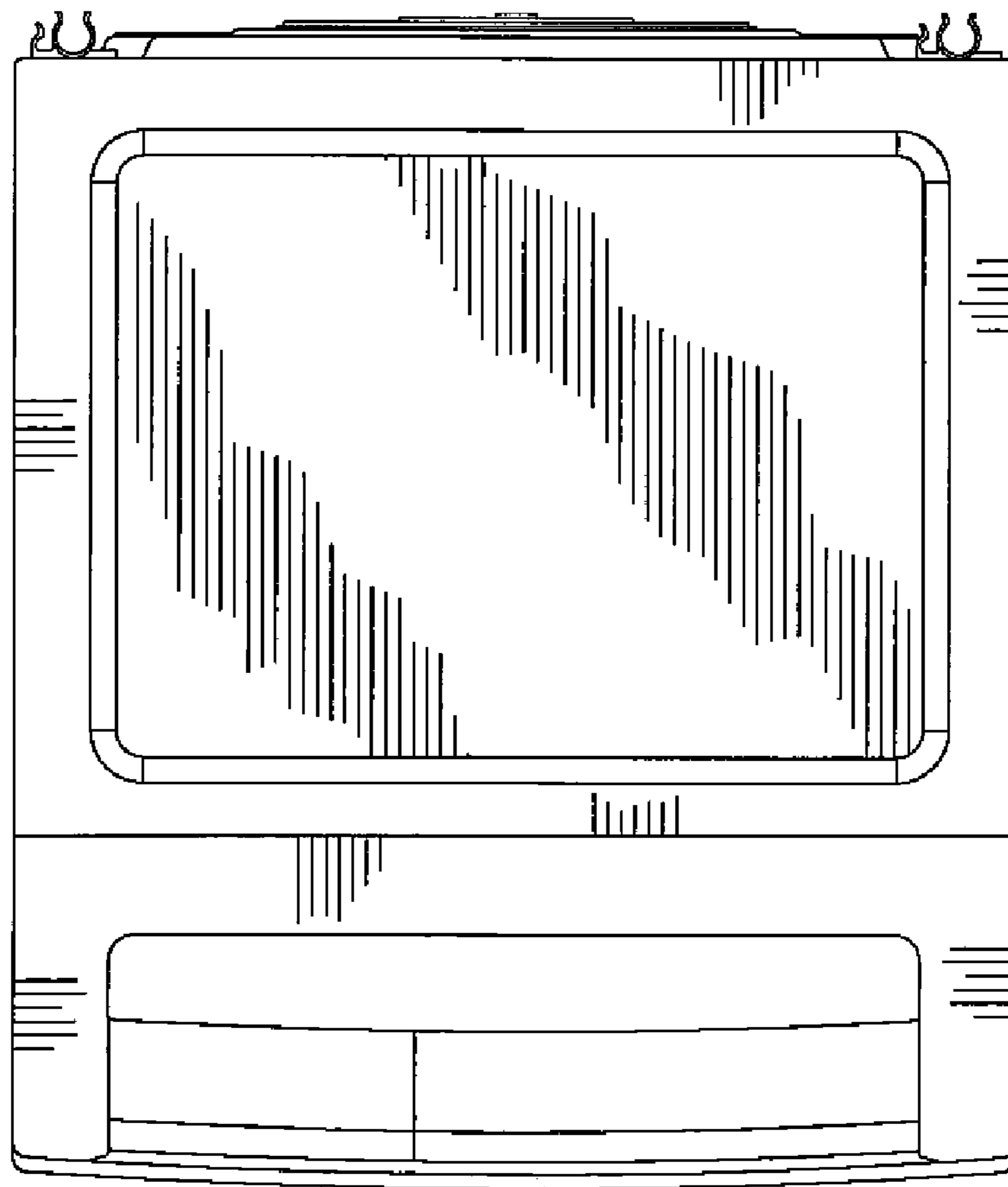


FIG. 6

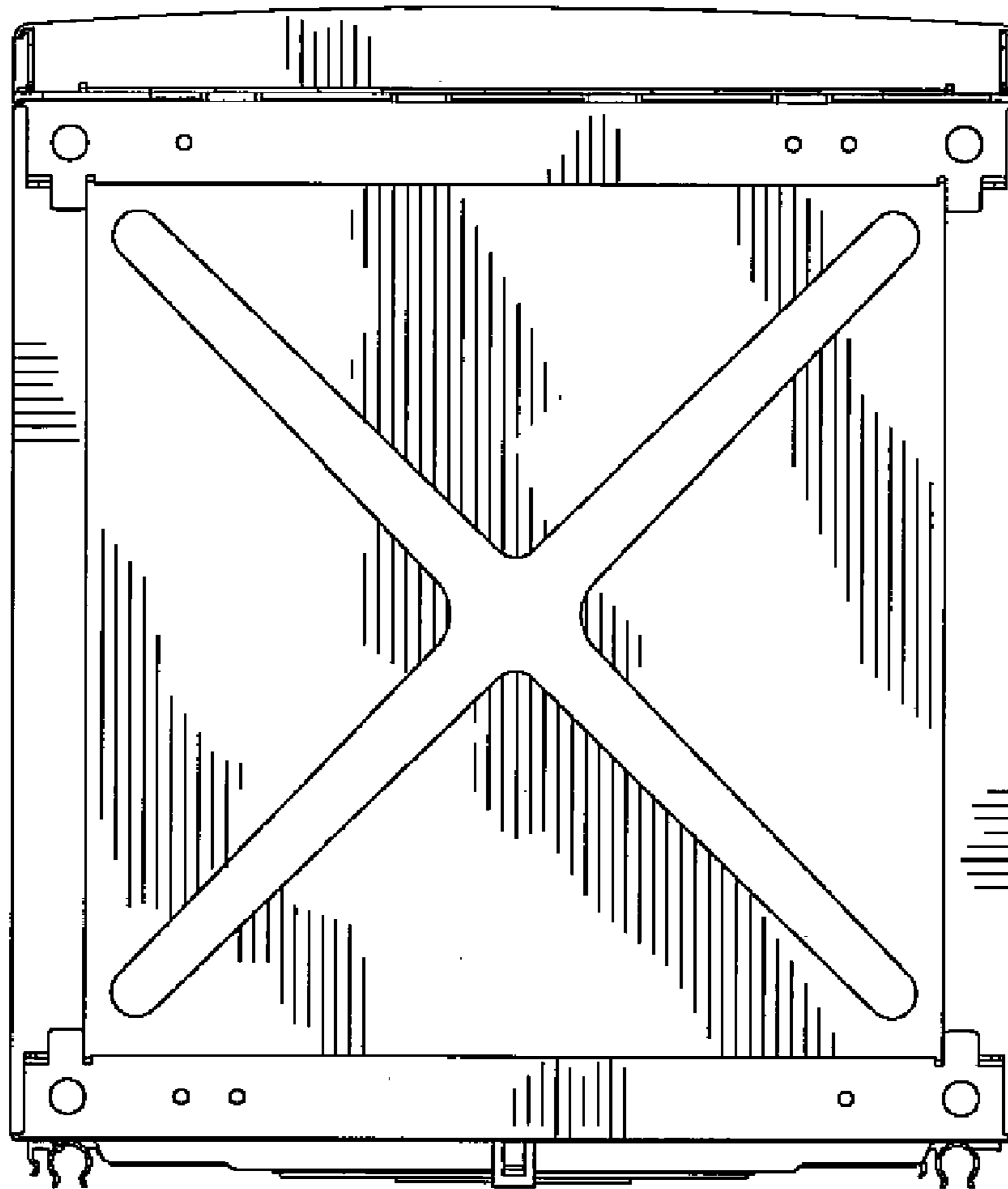


FIG. 7