



US00D566343S

(12) **United States Design Patent**
Osada et al.

(10) **Patent No.:** **US D566,343 S**

(45) **Date of Patent:** **** Apr. 8, 2008**

(54) **PRIMATE CAGE**

(75) Inventors: **Yoshihisa Osada**, Tokyo (JP); **Yasuo Nagasaka**, Iowa City, IA (US)

(73) Assignee: **Rikkyo Gakuin**, Tokyo (JP)

(**) Term: **14 Years**

(21) Appl. No.: **29/254,898**

(22) Filed: **Mar. 2, 2006**

(30) **Foreign Application Priority Data**

Sep. 21, 2005 (JP) 2005-027168

(51) **LOC (8) Cl.** **30-02**

(52) **U.S. Cl.** **D30/108**

(58) **Field of Classification Search** D30/108-119,
D30/161; 119/161, 163-170, 417-419, 421,
119/452-453, 459, 470, 472-474, 482, 484,
119/491, 496-499, 502, 522, 671, 702-703,
119/706, 756, 28.5

See application file for complete search history.

(56) **References Cited**

U.S. PATENT DOCUMENTS

3,023,734	A *	3/1962	Schaub	119/729
3,830,201	A *	8/1974	Coulbourn	119/417
4,020,796	A *	5/1977	Grifa	119/671
D293,945	S *	1/1988	Grant	D30/114
4,869,206	A *	9/1989	Spina	119/417
4,989,744	A *	2/1991	Tominaga	119/497
5,078,094	A *	1/1992	Hoover	119/702
D333,709	S *	3/1993	Warren	D30/158
5,213,059	A *	5/1993	Krantz	119/419
D338,743	S *	8/1993	Tharp	D30/109
5,247,901	A *	9/1993	Landon et al.	119/419

D353,030	S *	11/1994	Fernandez	D30/110
5,943,983	A *	8/1999	Drew et al.	119/722
6,123,047	A *	9/2000	Sakai	119/417
6,443,164	B1 *	9/2002	Parker et al.	119/671
7,213,538	B2 *	5/2007	Han et al.	119/756
7,234,269	B2 *	6/2007	Yonker et al.	119/419
2005/0066909	A1 *	3/2005	Gabriel et al.	119/419

* cited by examiner

Primary Examiner—Cathy Anne MacCormac

(74) *Attorney, Agent, or Firm*—Venable, LLP; James R. Burdett

(57) **CLAIM**

The ornamental design for a primate cage, as shown.

DESCRIPTION

FIG. 1 is a perspective view of the primate cage;

FIG. 2 is a front view of the primate cage of FIG. 1;

FIG. 3 is a rear view of the primate cage of FIG. 1;

FIG. 4 is a top plan view thereof;

FIG. 5 is a bottom view of the primate cage of FIG. 1;

FIG. 6 is a left side view thereof;

FIG. 7 is a right side view thereof;

FIG. 8 is a perspective view showing a state in which the back wall is open thereof;

FIG. 9 is a perspective view thereof showing the neck shackle in a tilted position; and,

FIG. 10 is perspective view thereof.

The broken lines are for purposes of illustration only and form no part of the claim design.

1 Claim, 10 Drawing Sheets

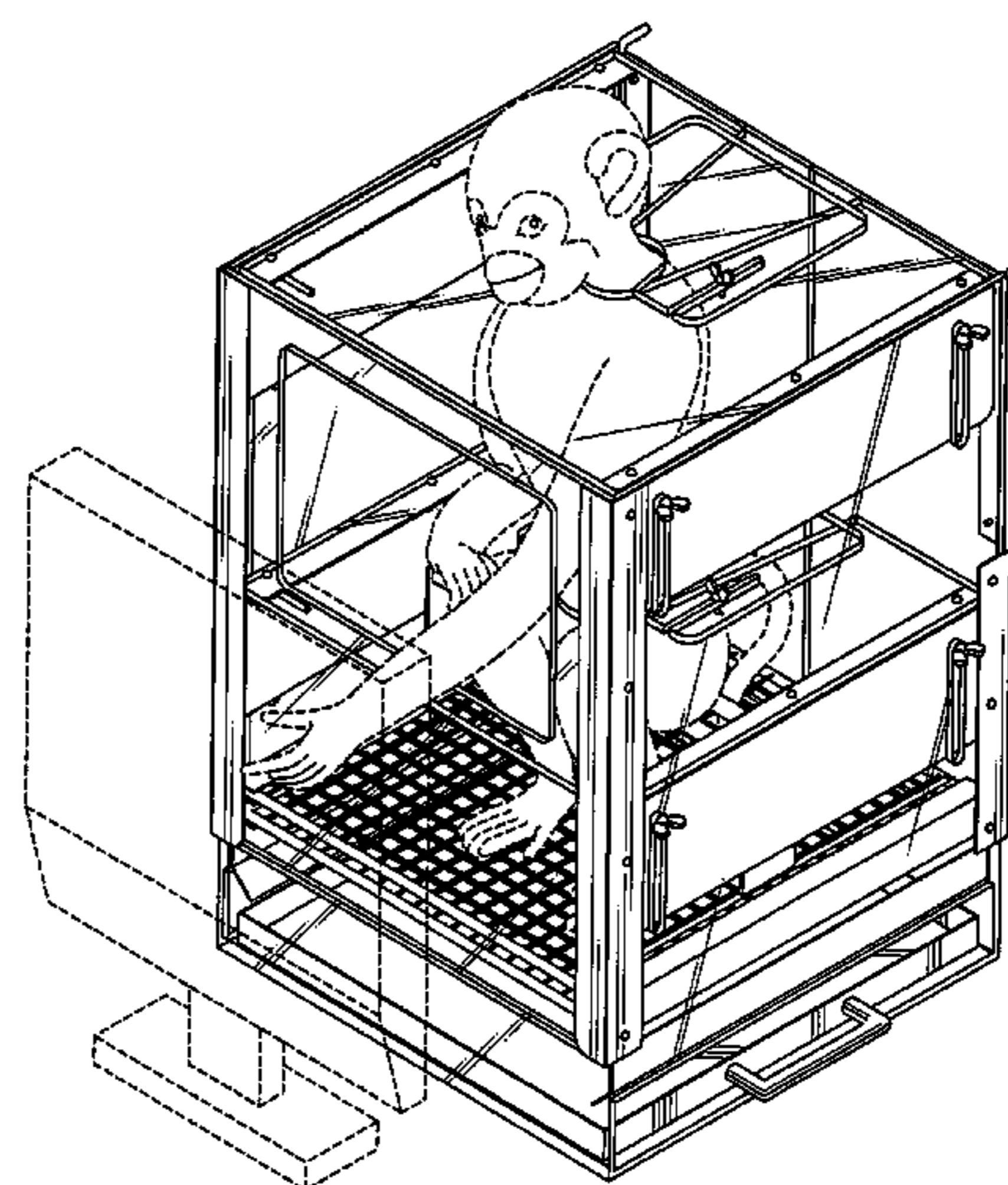
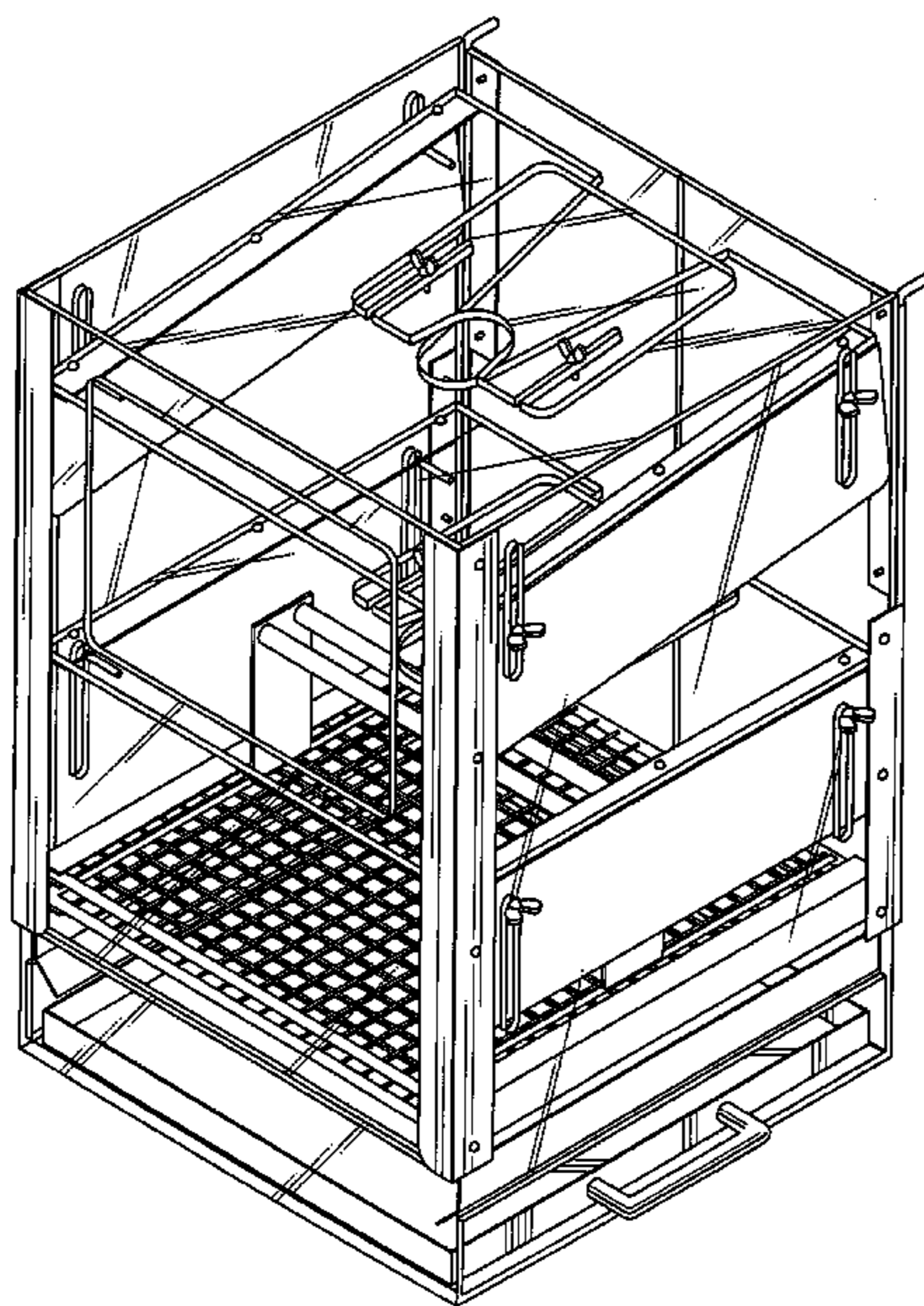


FIG. 1

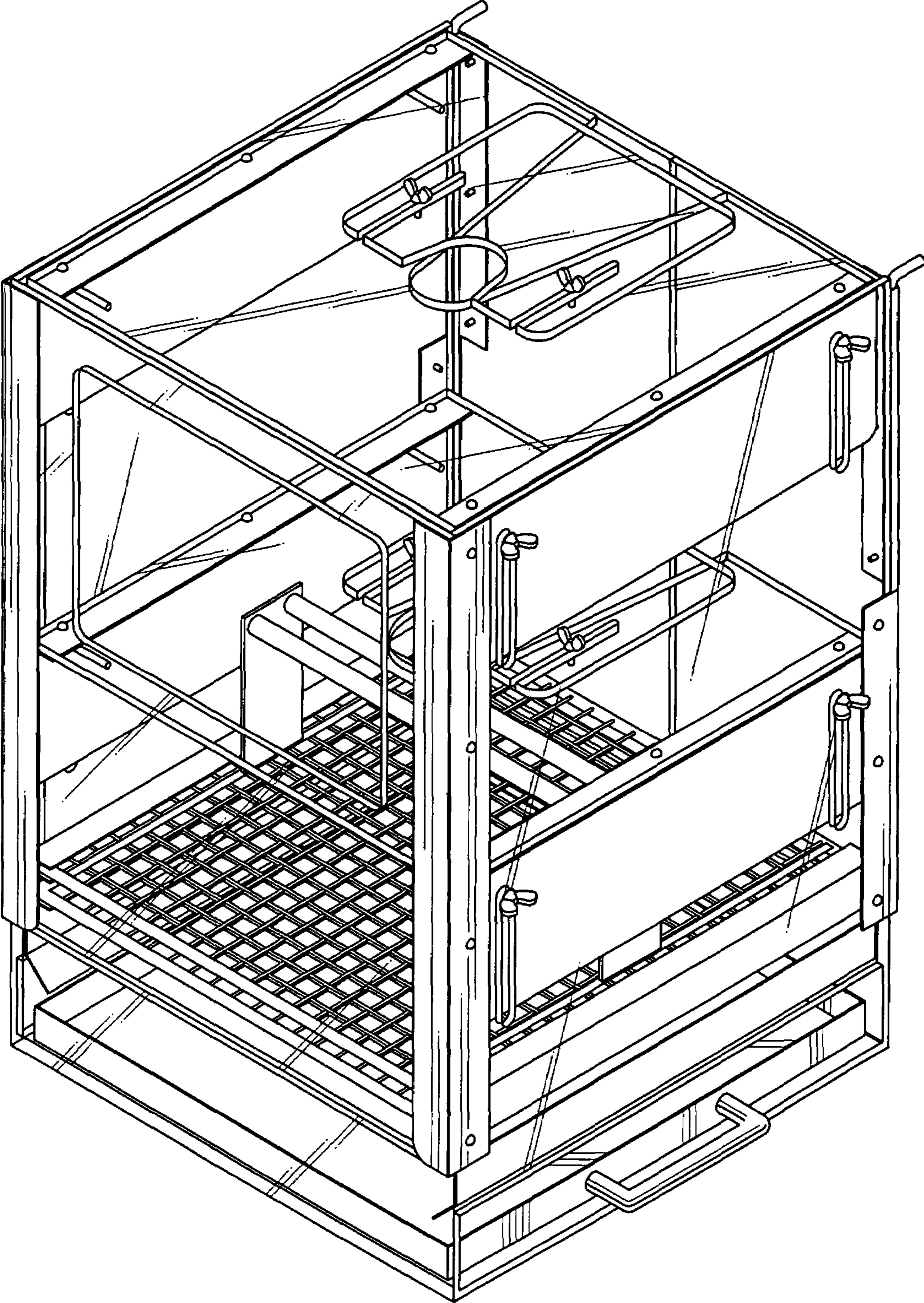


FIG. 2

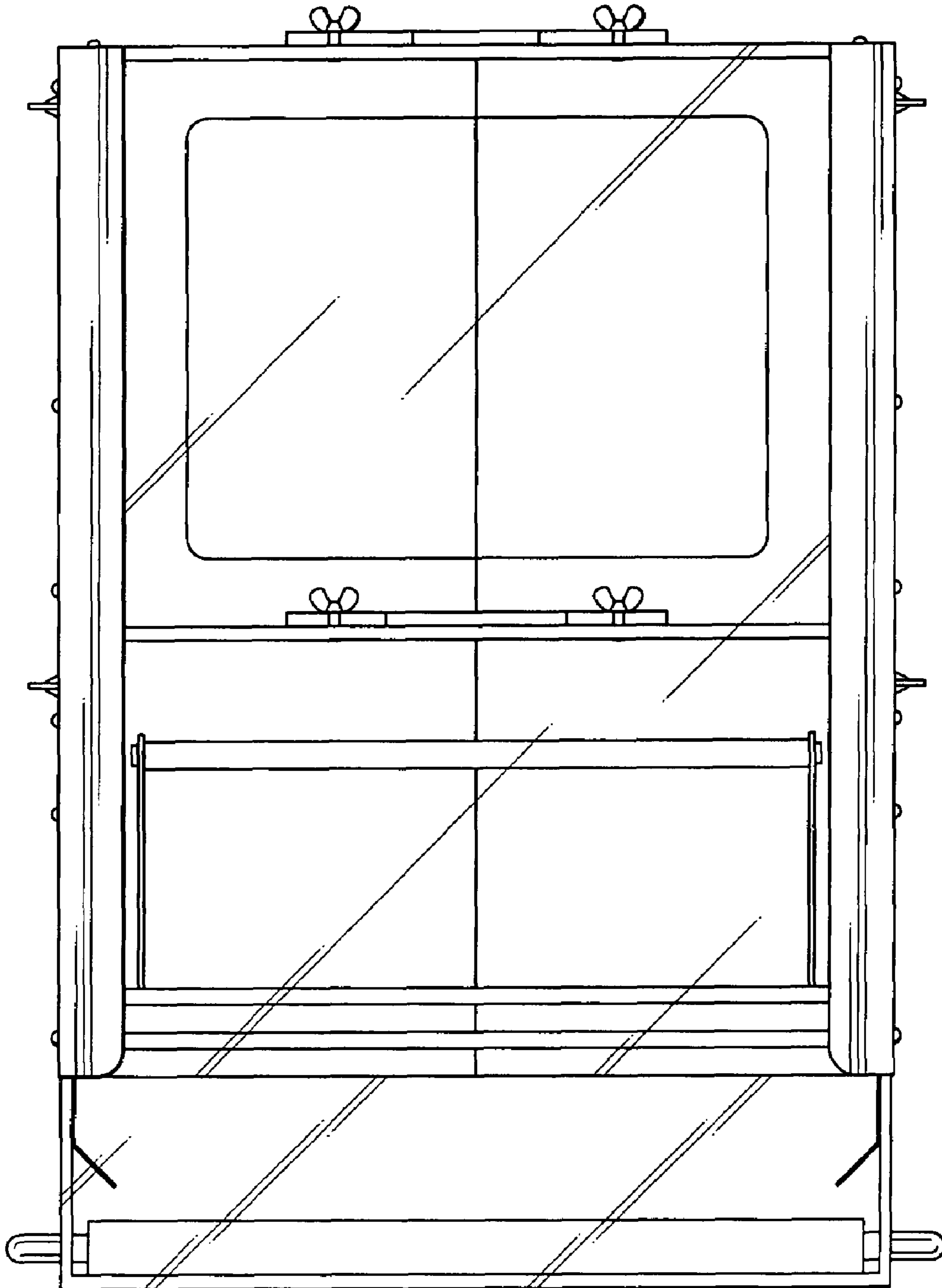


FIG. 3

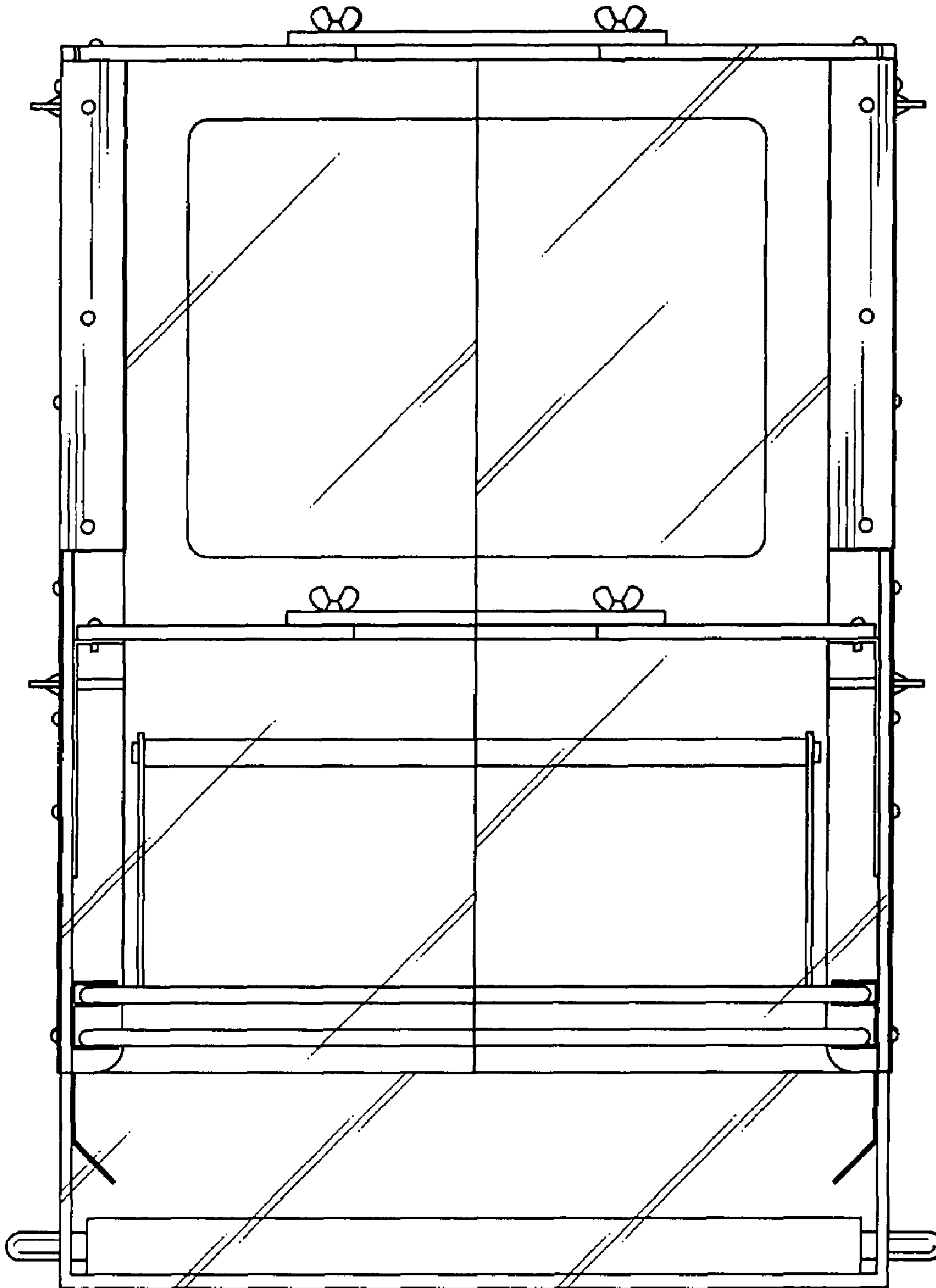


FIG. 4

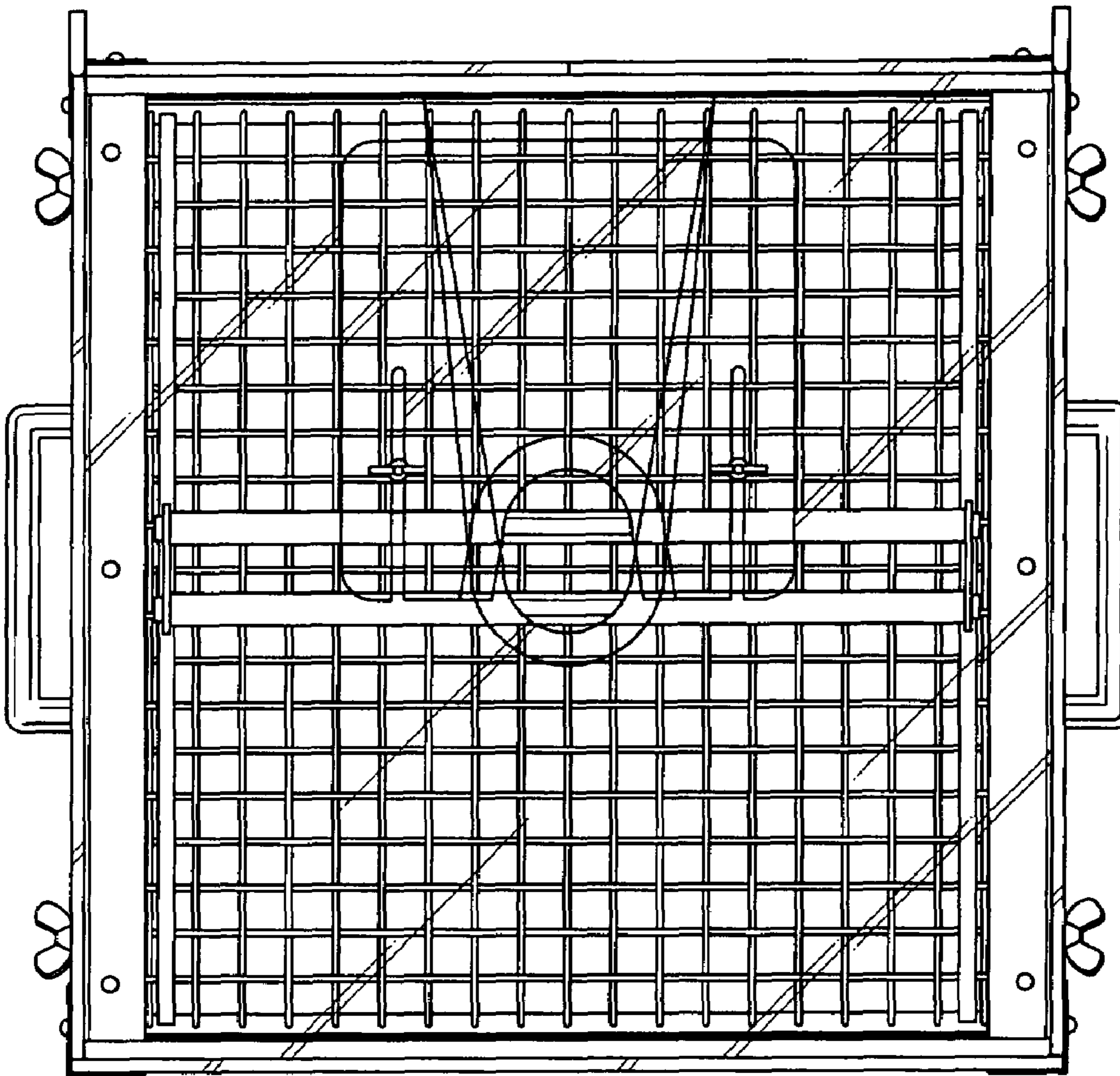


FIG. 5

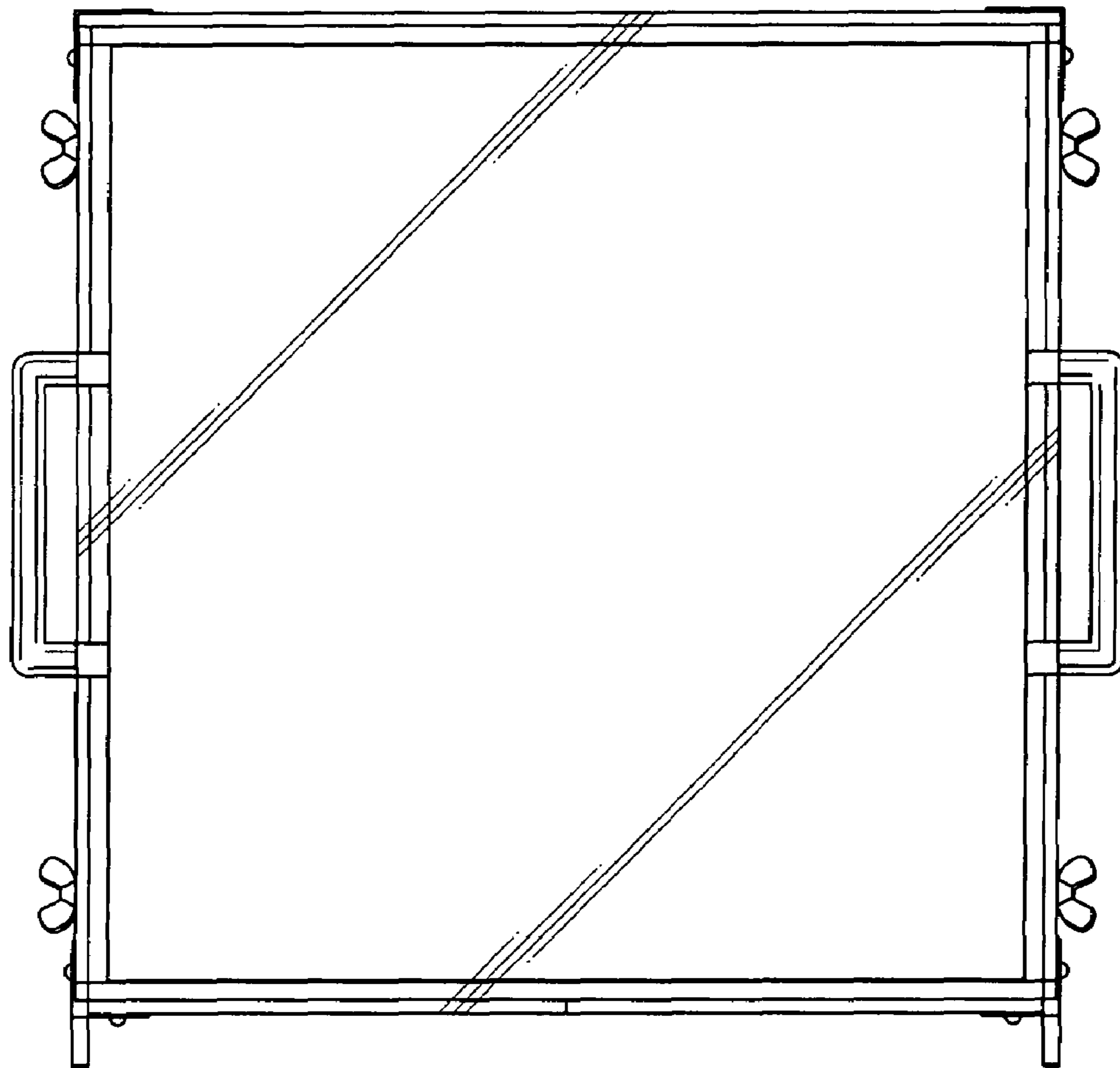


FIG. 6

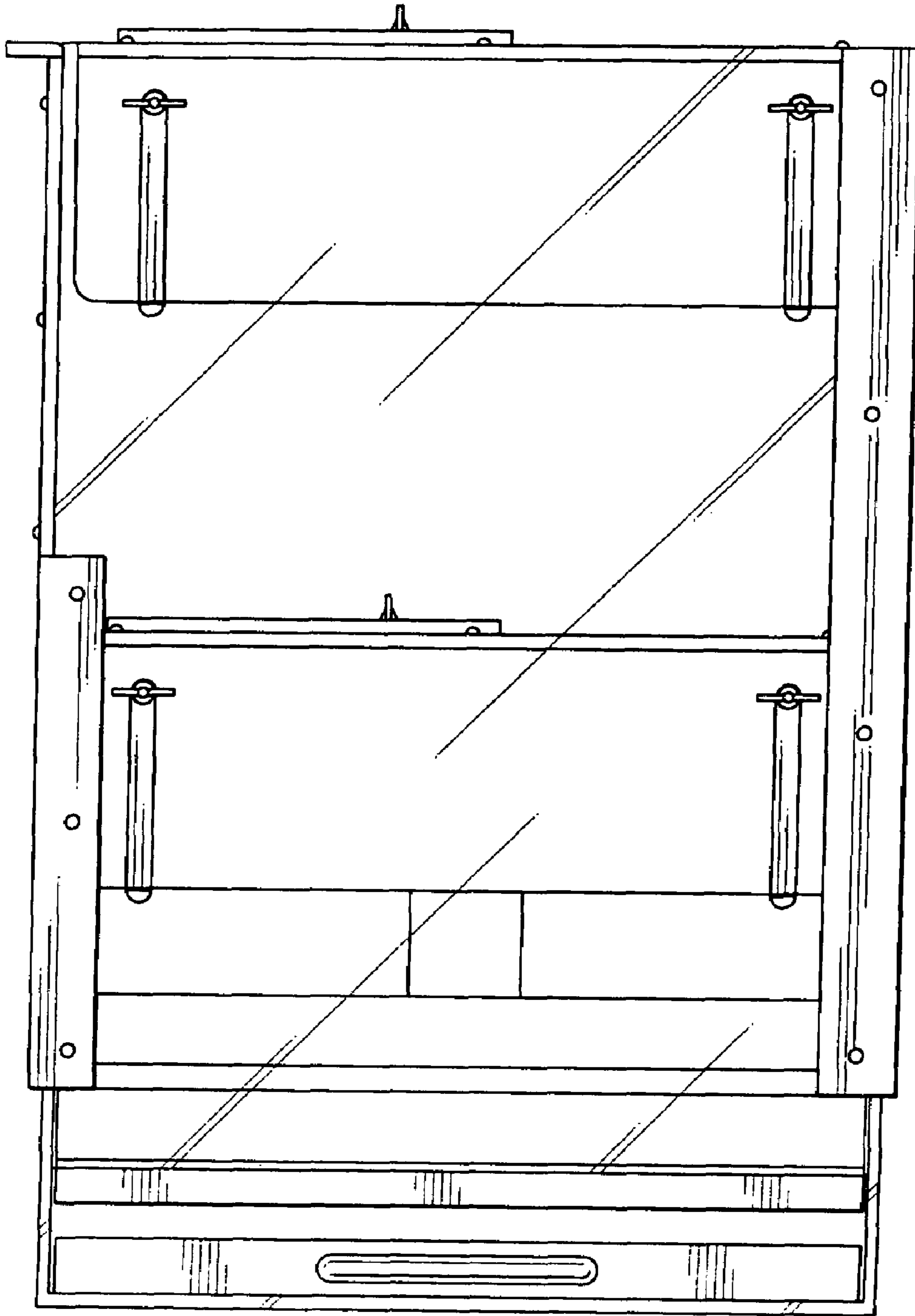


FIG. 7

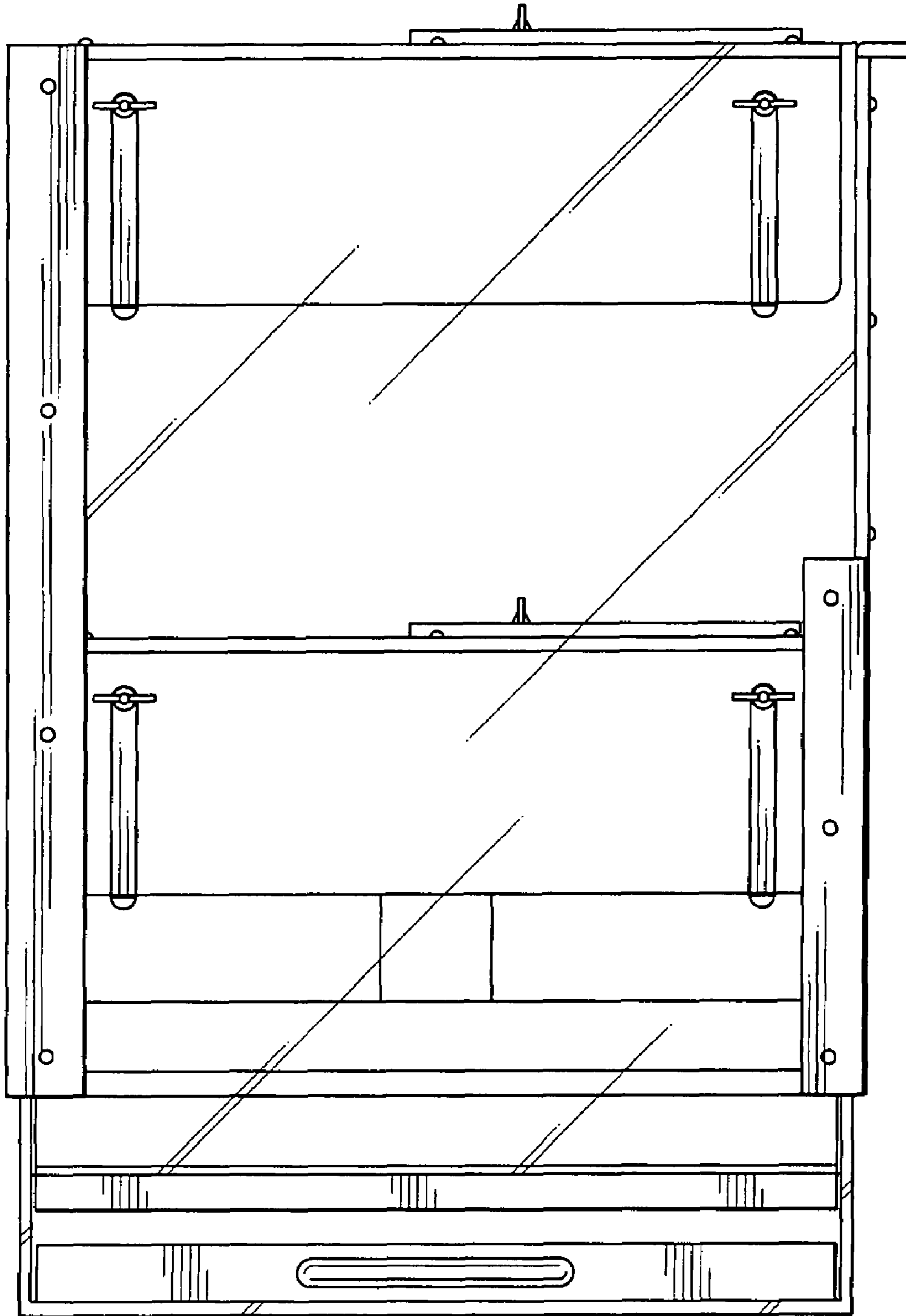


FIG. 8

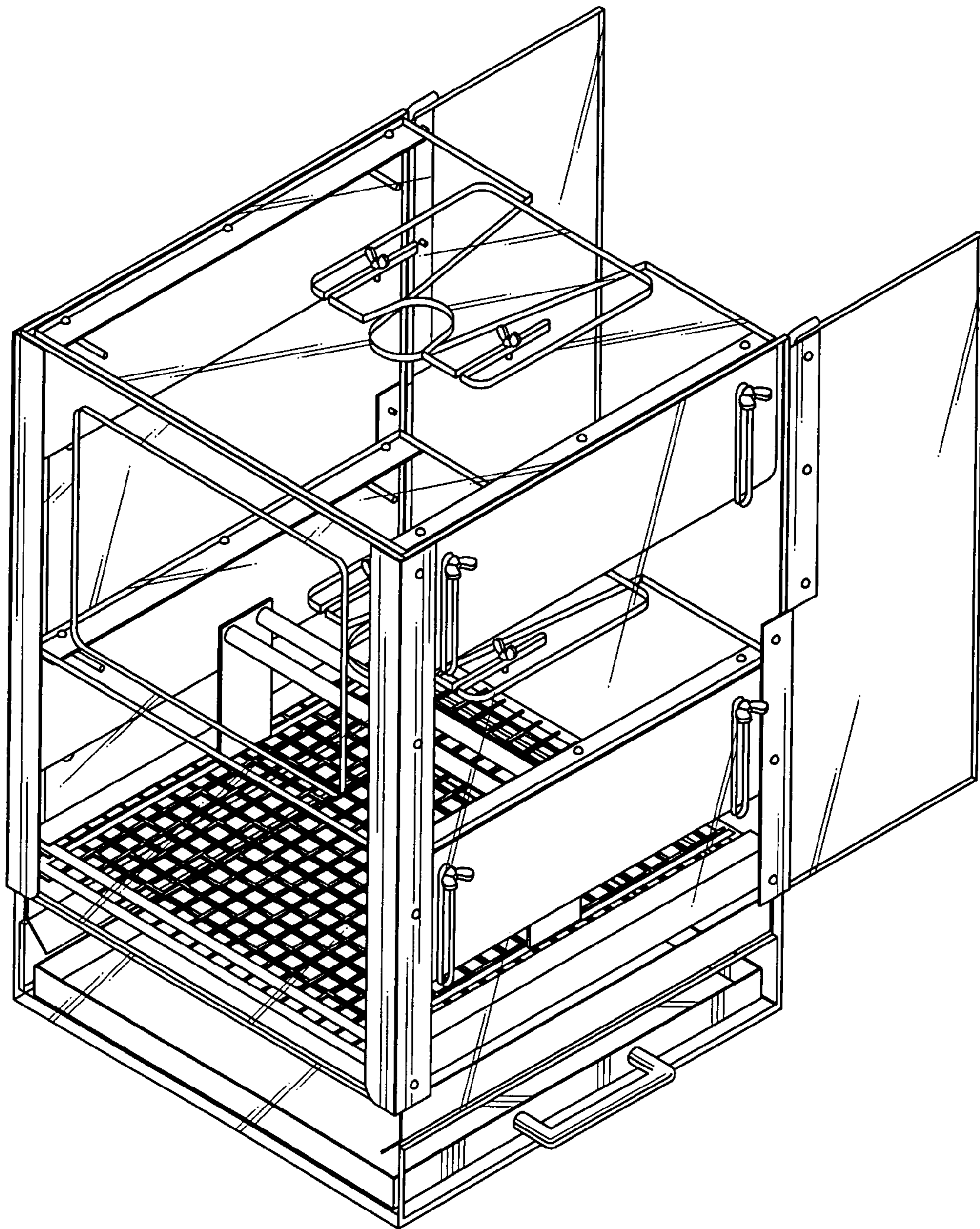


FIG. 9

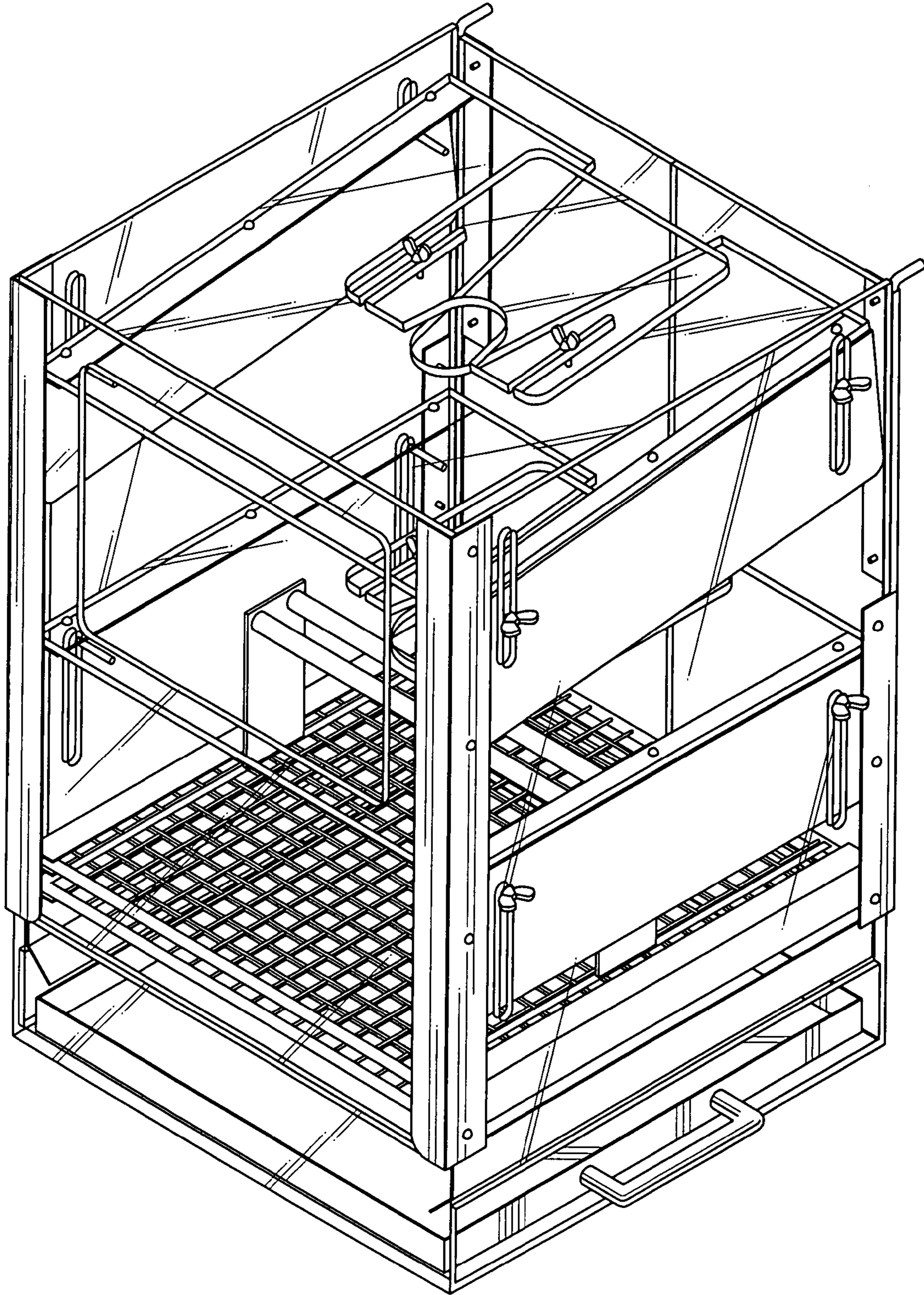


FIG. 10

