



US00D566334S

(12) **United States Design Patent**
Shoavi

(10) **Patent No.:** **US D566,334 S**

(45) **Date of Patent:** **** Apr. 8, 2008**

(54) **SHAVER**

(75) Inventor: **Alon Shoavi**, Tel-Aviv (IL)

(73) Assignee: **Epilady 2000 L.L.C.**, Hatzor Haglilit (IL)

(**) Term: **14 Years**

(21) Appl. No.: **29/295,316**

(22) Filed: **Sep. 26, 2007**

Related U.S. Application Data

(62) Division of application No. 29/266,112, filed on Sep. 15, 2006.

Foreign Application Priority Data

(30) Mar. 27, 2006 (EM) 000502885

(51) **LOC (8) Cl.** **28-03**

(52) **U.S. Cl.** **D28/46**

(58) **Field of Classification Search** D28/44,
D28/44.1, 49-54; 30/34.05, 34.1, 34.2, 43-43.92,
30/44, 45, 526, 527, 532; 606/131, 133;
D24/133

See application file for complete search history.

(56) **References Cited**

U.S. PATENT DOCUMENTS

D176,406 S * 12/1955 Ernest et al. D28/51

3,072,809 A *	1/1963	Jepson et al.	30/34.1
D218,669 S *	9/1970	Genaro	D28/46
D280,136 S *	8/1985	Yajima et al.	D28/49
D318,539 S *	7/1991	Challard	D28/44.1
D344,134 S *	2/1994	Dingelstad et al.	D28/44.1
D380,830 S *	7/1997	Gudefin	D28/44.1
D502,785 S *	3/2005	Leventhal	D28/51
D506,033 S *	6/2005	McCurrach	D28/44.1

* cited by examiner

Primary Examiner—Jennifer Rivard

(74) *Attorney, Agent, or Firm*—Stein, McEwen & Bui, LLP

(57) **CLAIM**

The ornamental design for a shaver, as shown.

DESCRIPTION

FIG. 1 is a front plan view of the shaver of the present invention with the cover open;

FIG. 2 is a front elevation view thereof with the cover open;

FIG. 3 is a back plan view thereof with the cover open;

FIG. 4 is a top plan view thereof with the cover open;

FIG. 5 is a right side plan view thereof with the cover open;

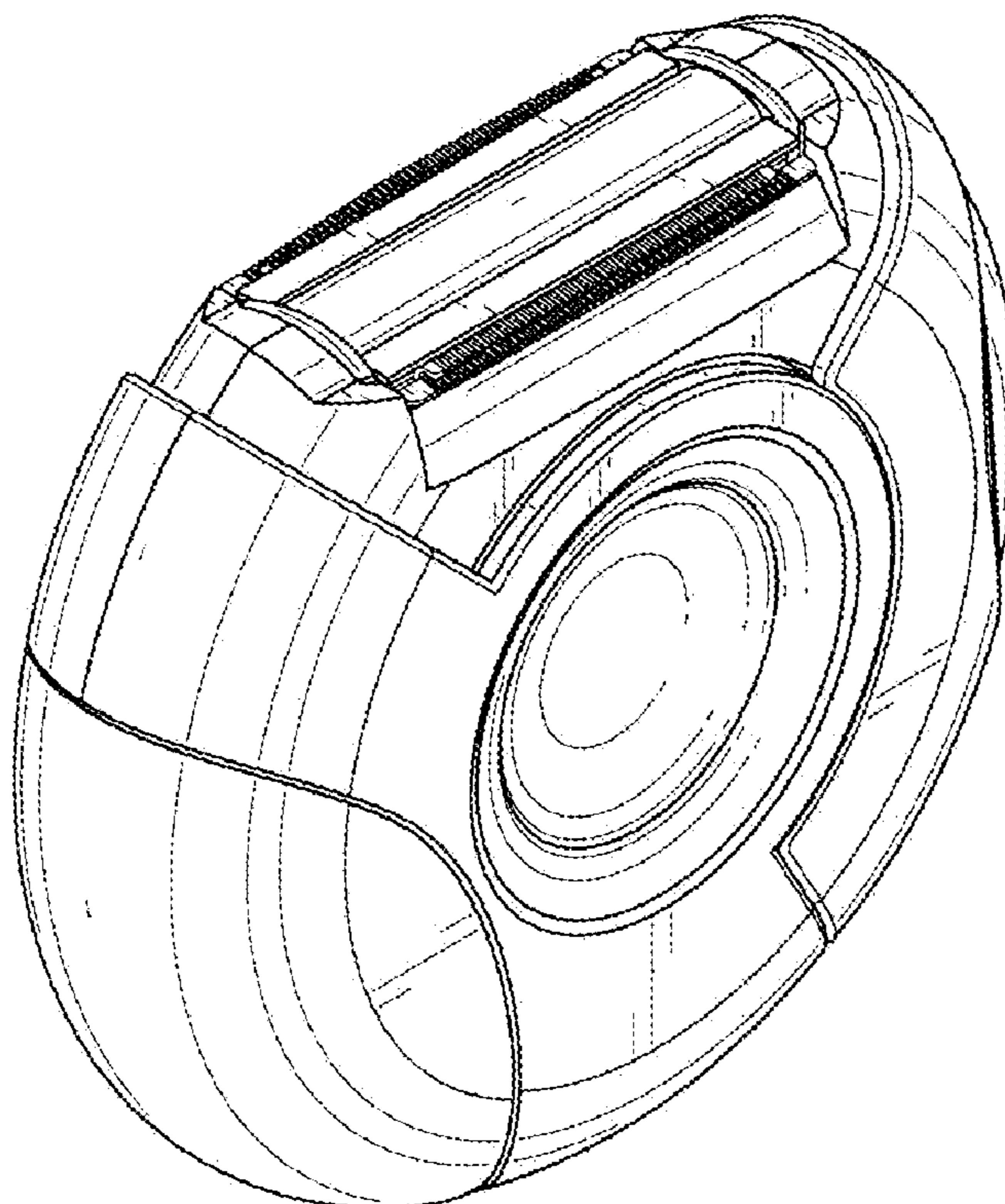
FIG. 6 is a front plan view thereof with the cover closed;

FIG. 7 is a left side plan view thereof with the cover closed;

FIG. 8 is a back plan view thereof with the cover closed; and,

FIG. 9 is a right side plan view thereof with the cover closed.

1 Claim, 9 Drawing Sheets



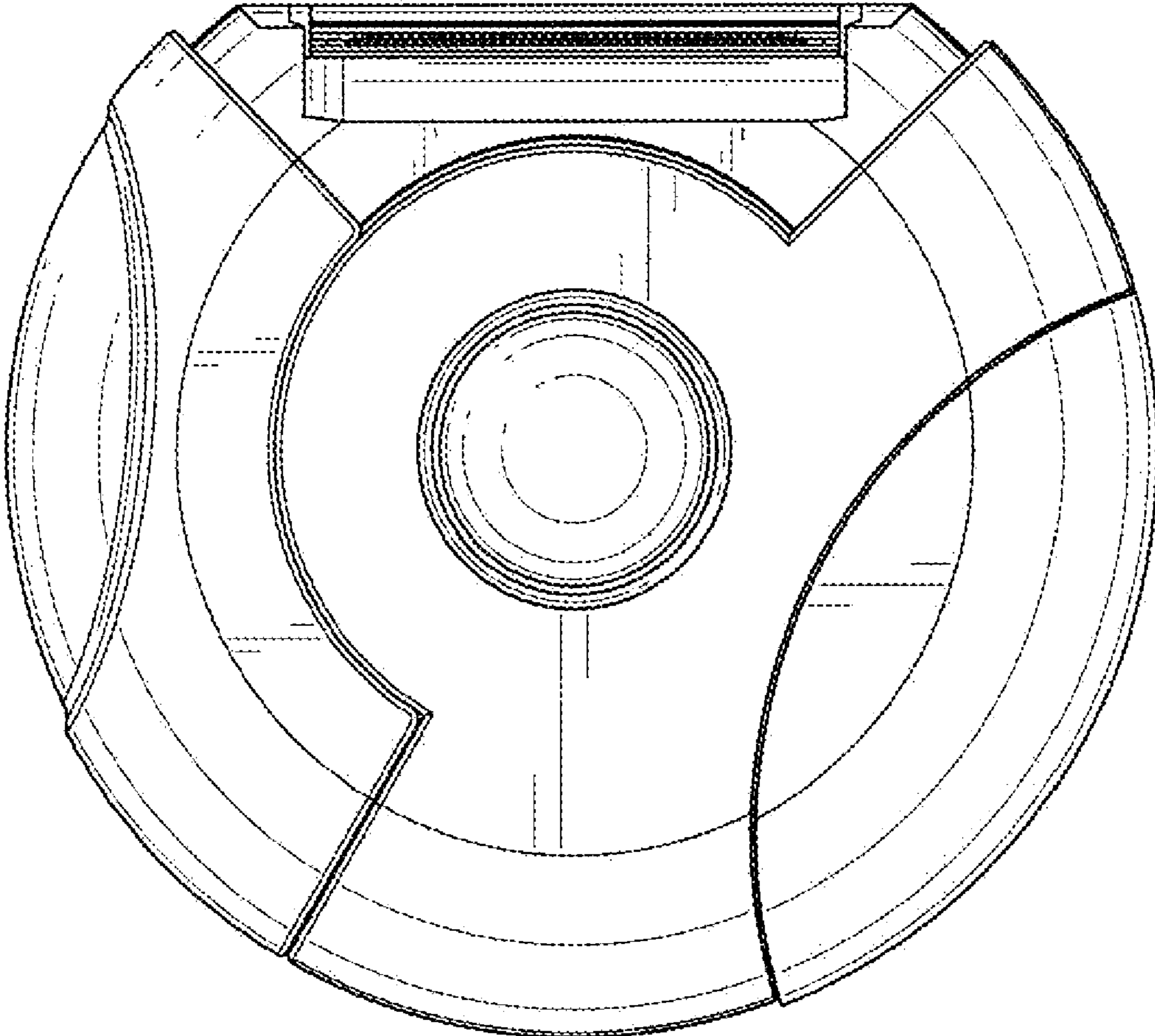


FIG. 1

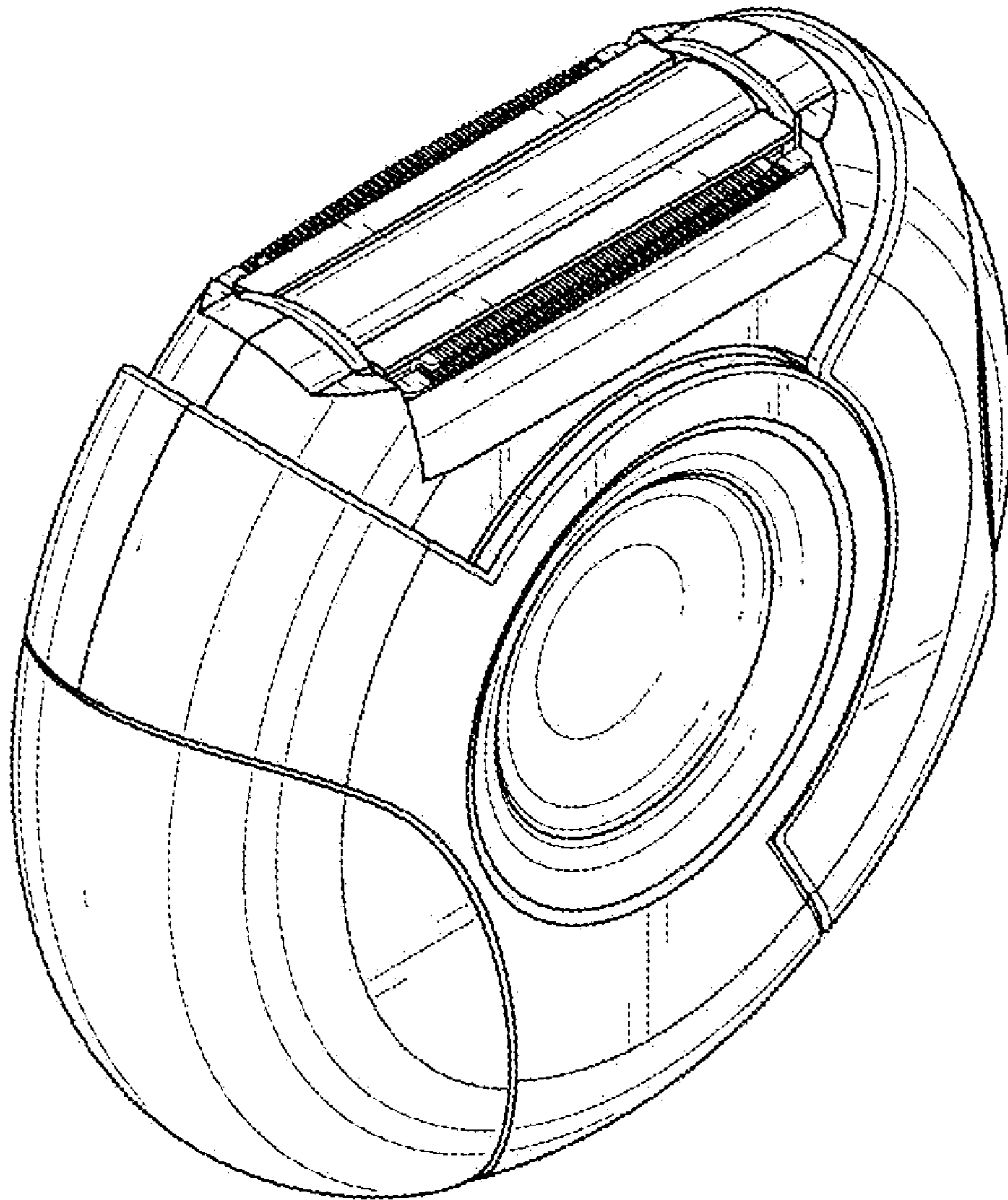


FIG. 2

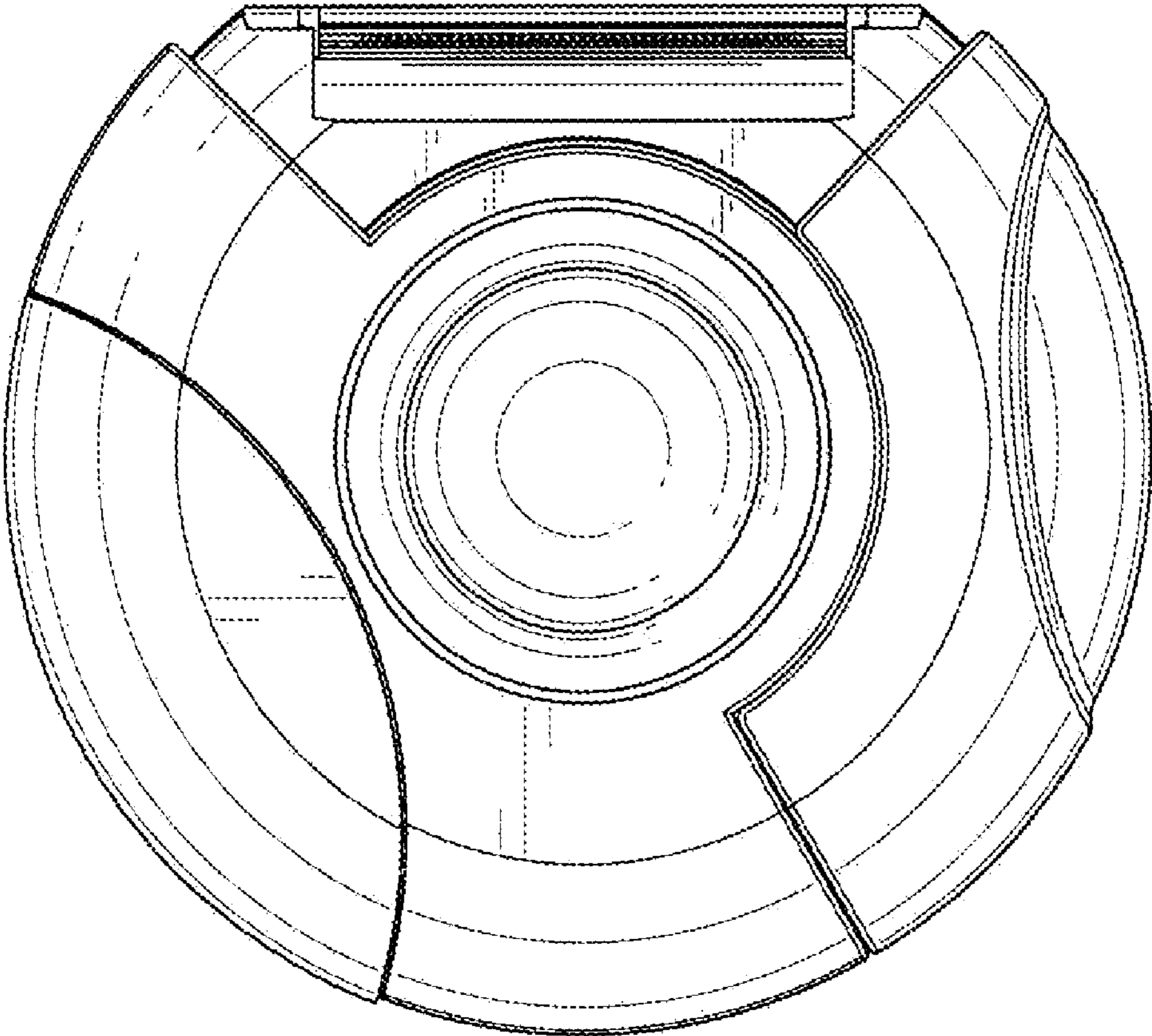


FIG. 3

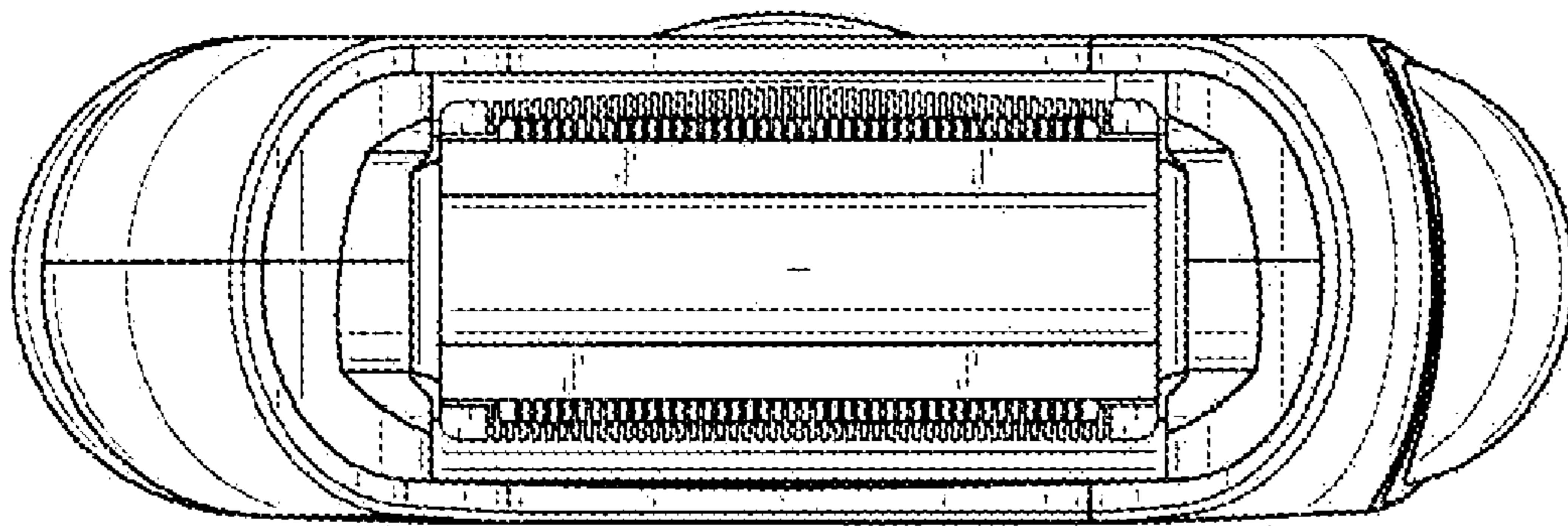


FIG. 4

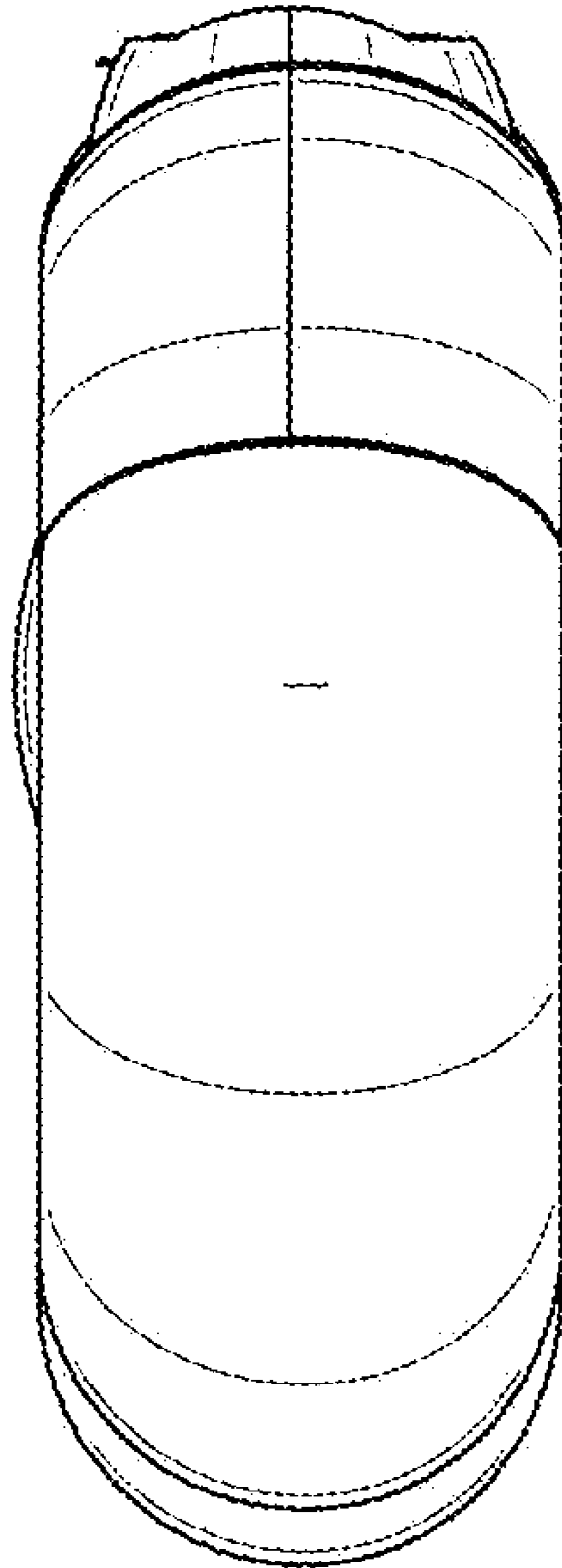


FIG. 5

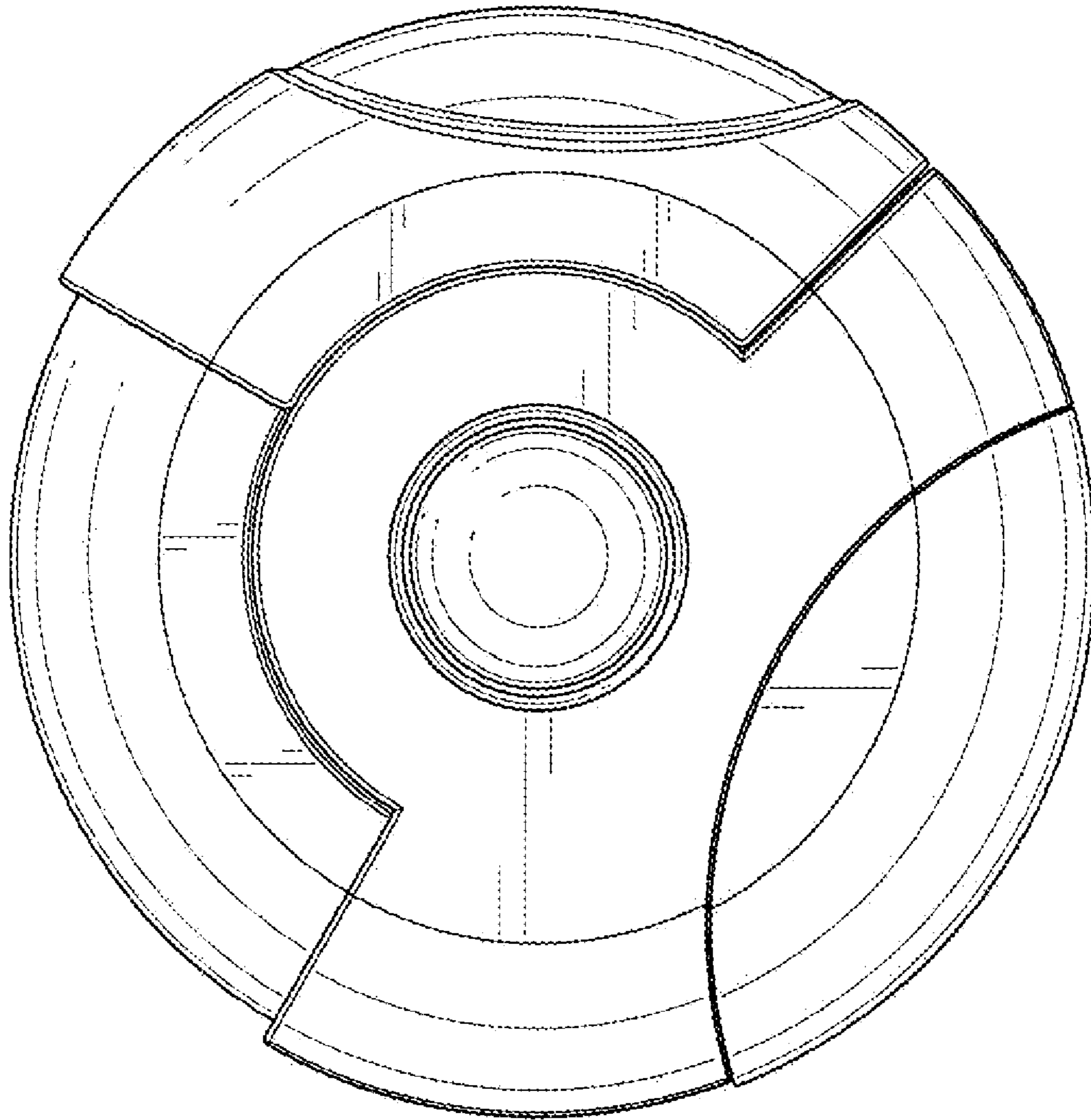


FIG. 6

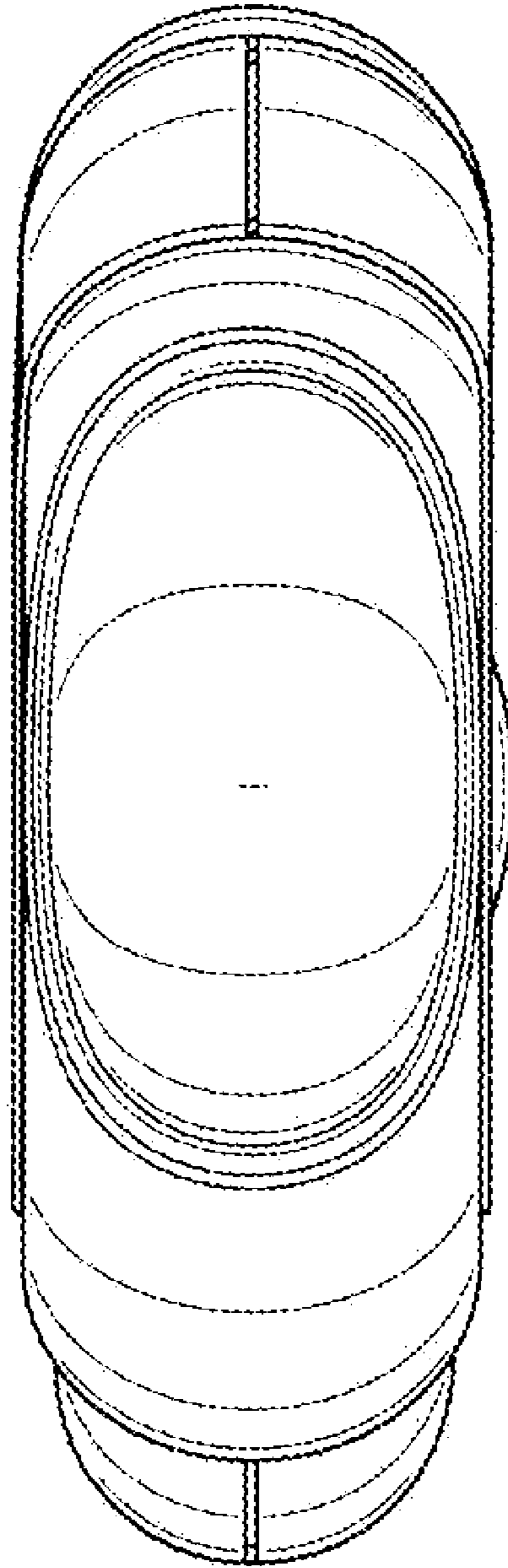


FIG. 7

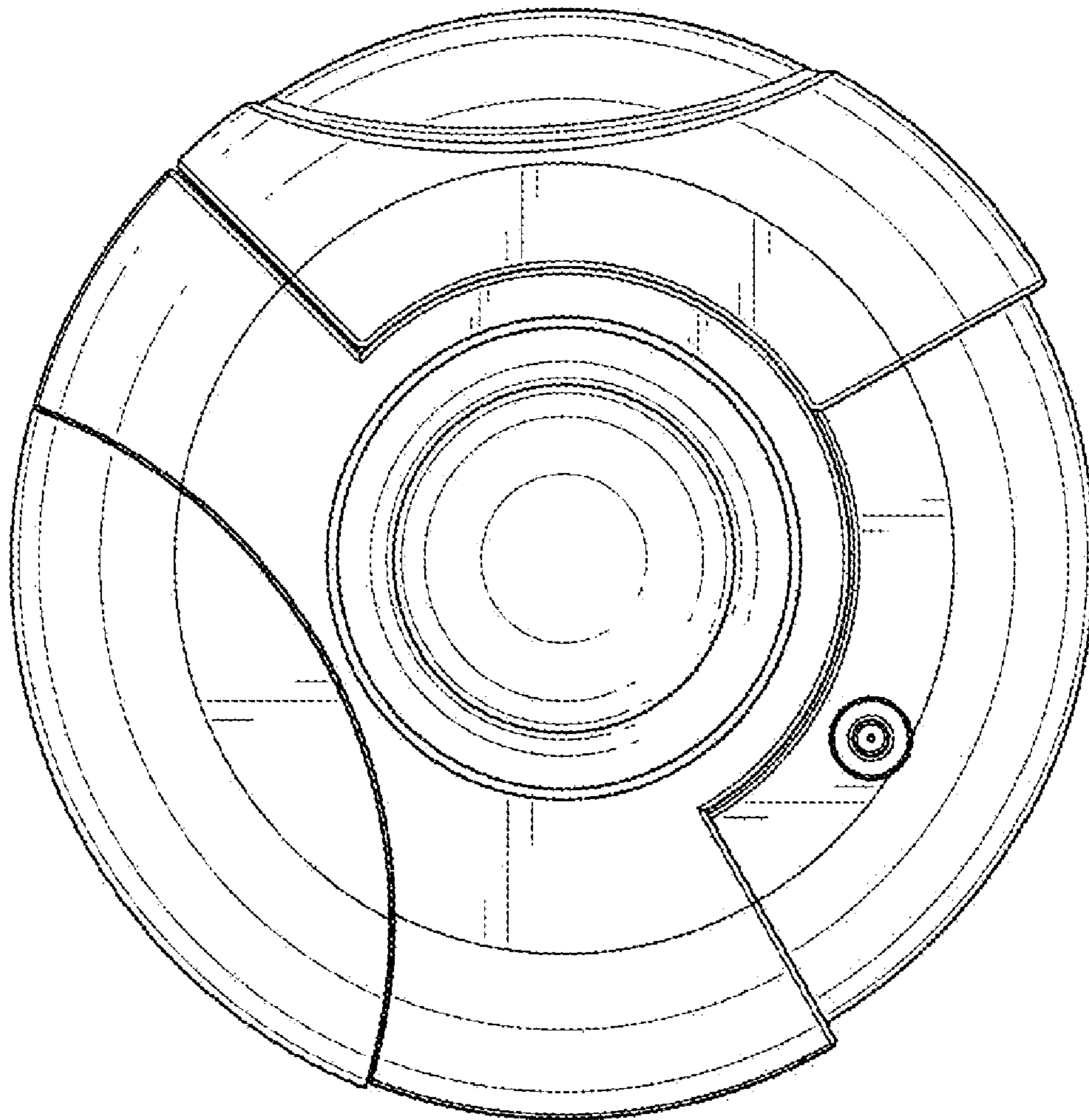


FIG. 8

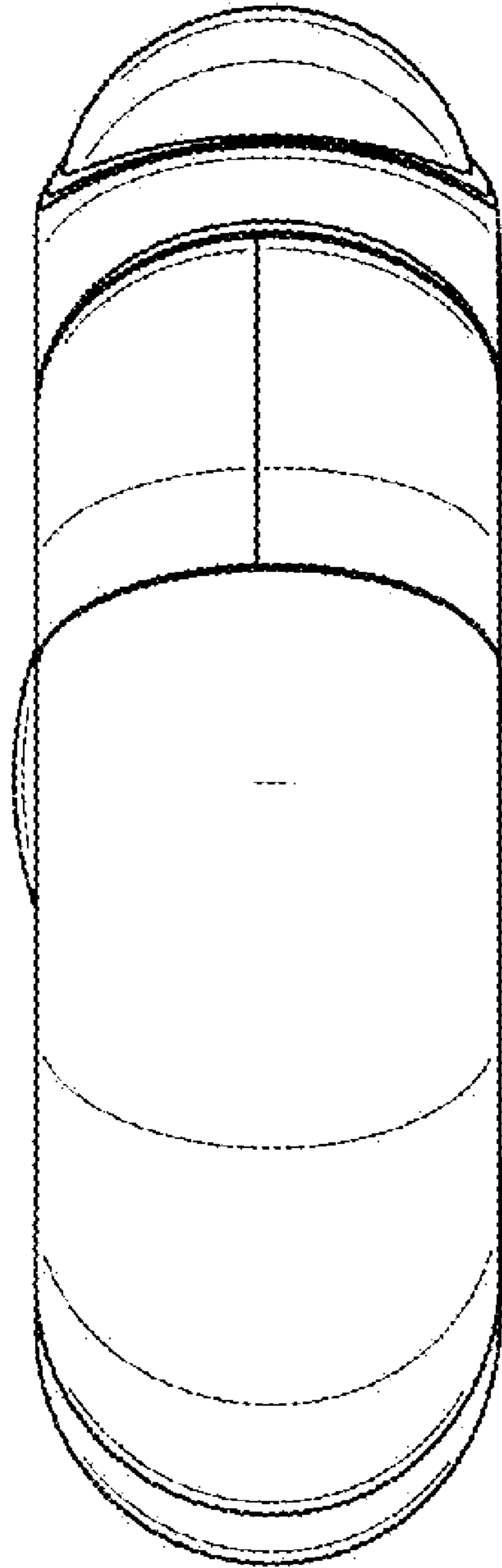


FIG. 9