



US00D566333S

(12) **United States Design Patent**  
**Shoavi**

(10) **Patent No.:** **US D566,333 S**

(45) **Date of Patent:** **\*\* Apr. 8, 2008**

(54) **EPILATOR**

(75) Inventor: **Alon Shoavi**, Tel-Aviv (IL)

(73) Assignee: **Epilady 2000 L.L.C.**, Hatzor Haglilit (IL)

(\*\*) Term: **14 Years**

(21) Appl. No.: **29/266,112**

(22) Filed: **Sep. 15, 2006**

(30) **Foreign Application Priority Data**

Mar. 27, 2006 (EM) ..... 000502885

(51) **LOC (8) Cl.** ..... **28-03**

(52) **U.S. Cl.** ..... **D28/44.1**

(58) **Field of Classification Search** ..... D28/44,  
D28/44.1, 49-54; 30/34.05, 34.1, 34.2, 43-43.92,  
30/44, 45, 526, 527, 532; 606/131, 133;  
D24/133

See application file for complete search history.

(56) **References Cited**

**U.S. PATENT DOCUMENTS**

D176,406 S \* 12/1955 Ernest et al. .... D28/51  
3,072,809 A \* 1/1963 Jepson et al. .... 30/34.1  
D218,669 S \* 9/1970 Genaro ..... D28/46  
D280,136 S \* 8/1985 Yajima et al. .... D28/49

D318,539 S \* 7/1991 Challard ..... D28/44.1  
D344,134 S \* 2/1994 Dingelstad et al. .... D28/44.1  
D380,830 S \* 7/1997 Gudefin ..... D28/44.1  
D502,785 S \* 3/2005 Leventhal ..... D28/51  
D506,033 S \* 6/2005 McCurrach ..... D28/44.1

\* cited by examiner

*Primary Examiner*—Jennifer Rivard

(74) *Attorney, Agent, or Firm*—Stein, McEwen & Bui, LLP

(57) **CLAIM**

The ornamental design for an epilator, as shown.

**DESCRIPTION**

FIG. 1 is a front plan view of the epilator of the present invention with the cover open;

FIG. 2 is a front elevation view thereof with the cover open;

FIG. 3 is a back plan view thereof with the cover open;

FIG. 4 is a top plan view thereof with the cover open;

FIG. 5 is a left side plan view thereof with the cover open;

FIG. 6 is a front plan view thereof with the cover closed;

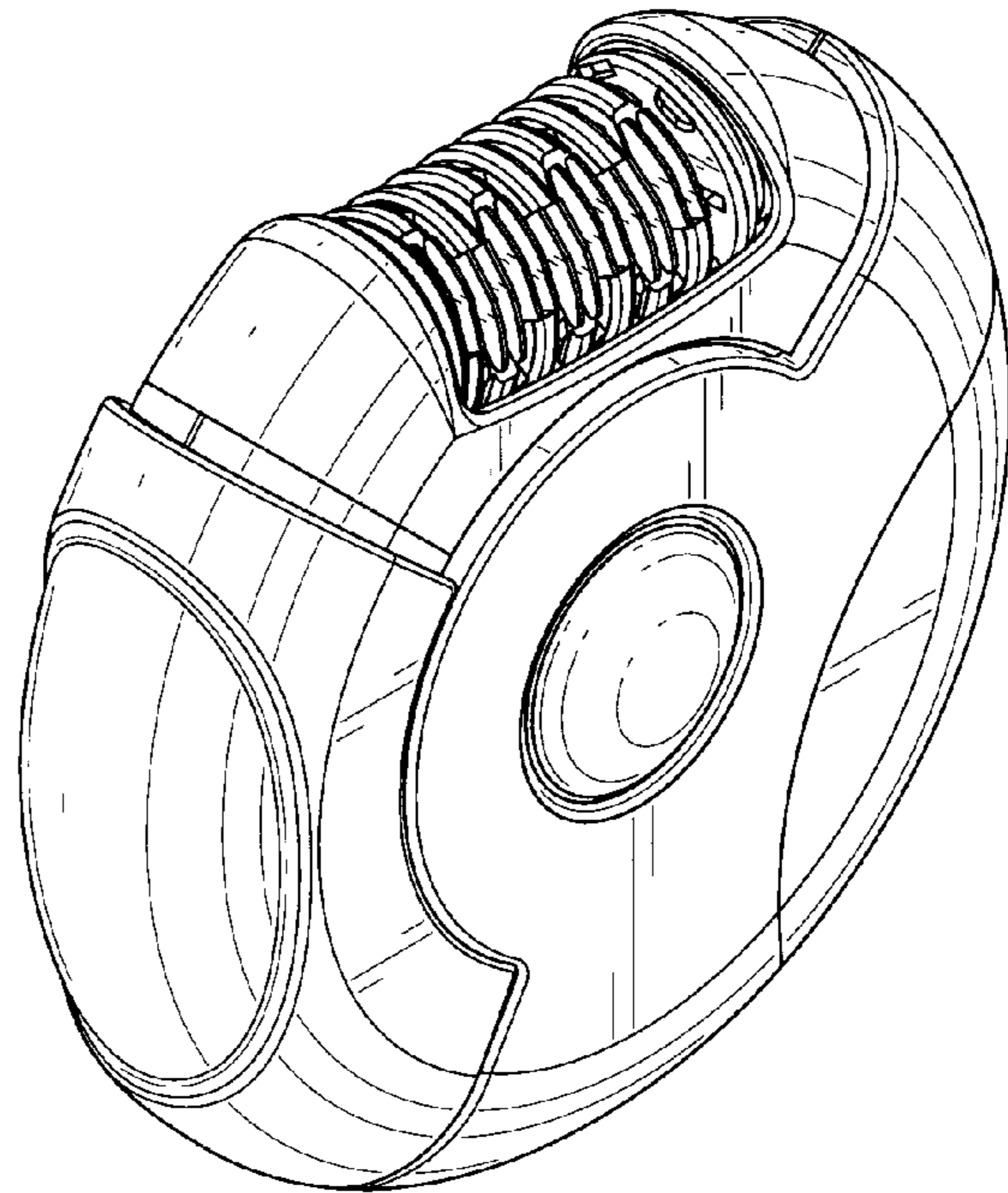
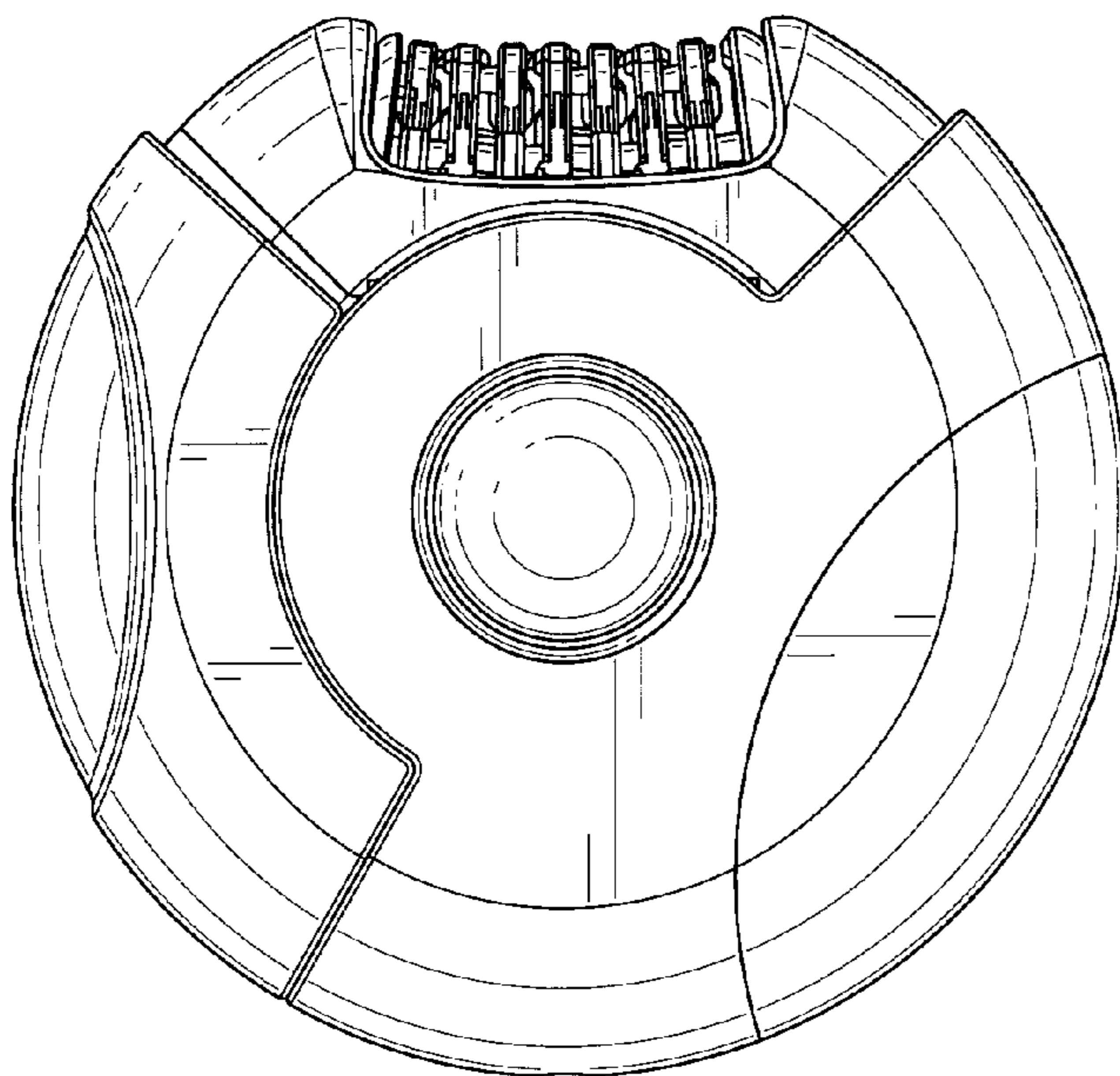
FIG. 7 is a left side plan view thereof with the cover closed;

FIG. 8 is a right side plan view thereof with the cover closed;

and,

FIG. 9 is a back plan view thereof with the cover closed.

**1 Claim, 9 Drawing Sheets**



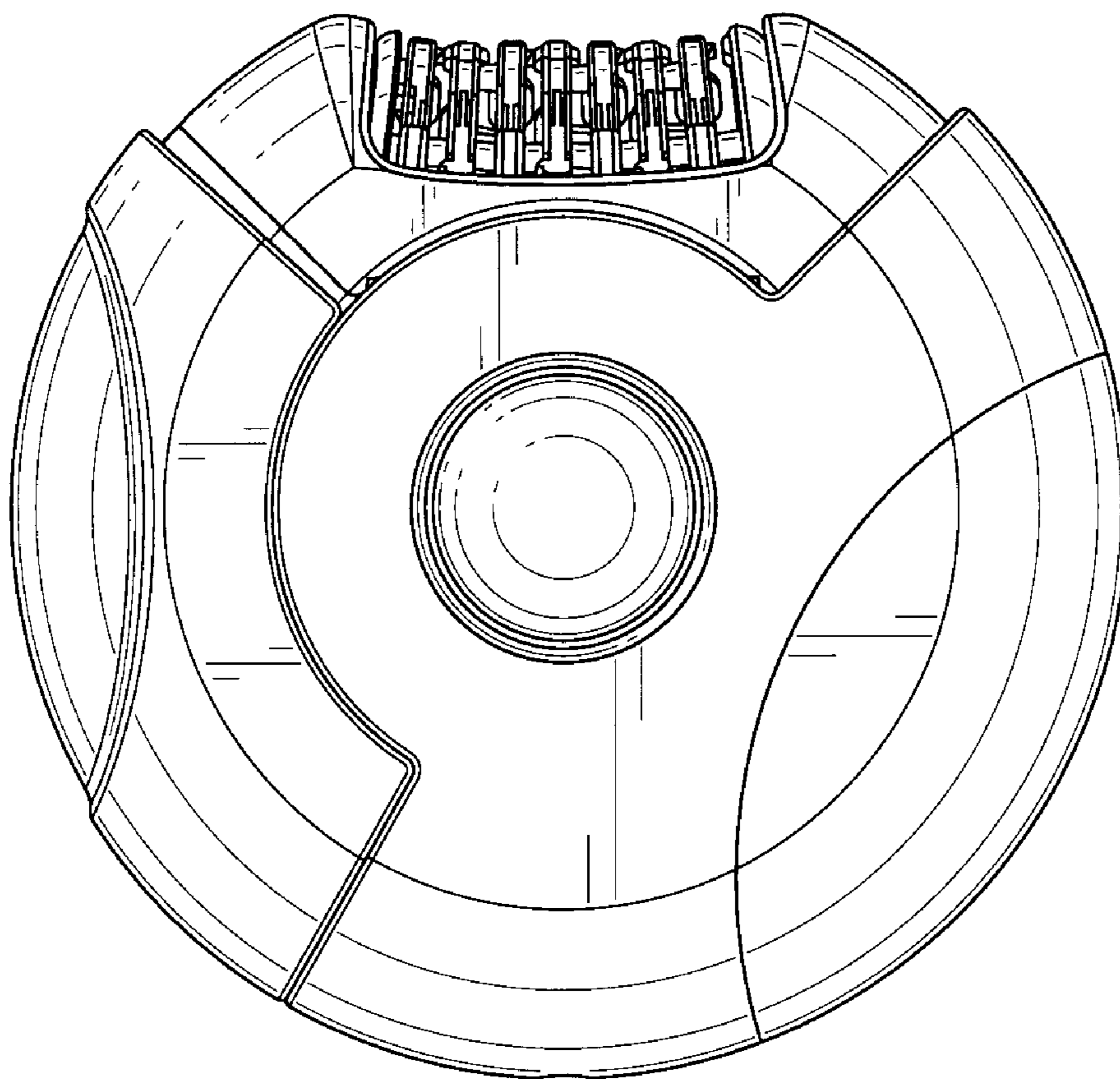


FIG. 1

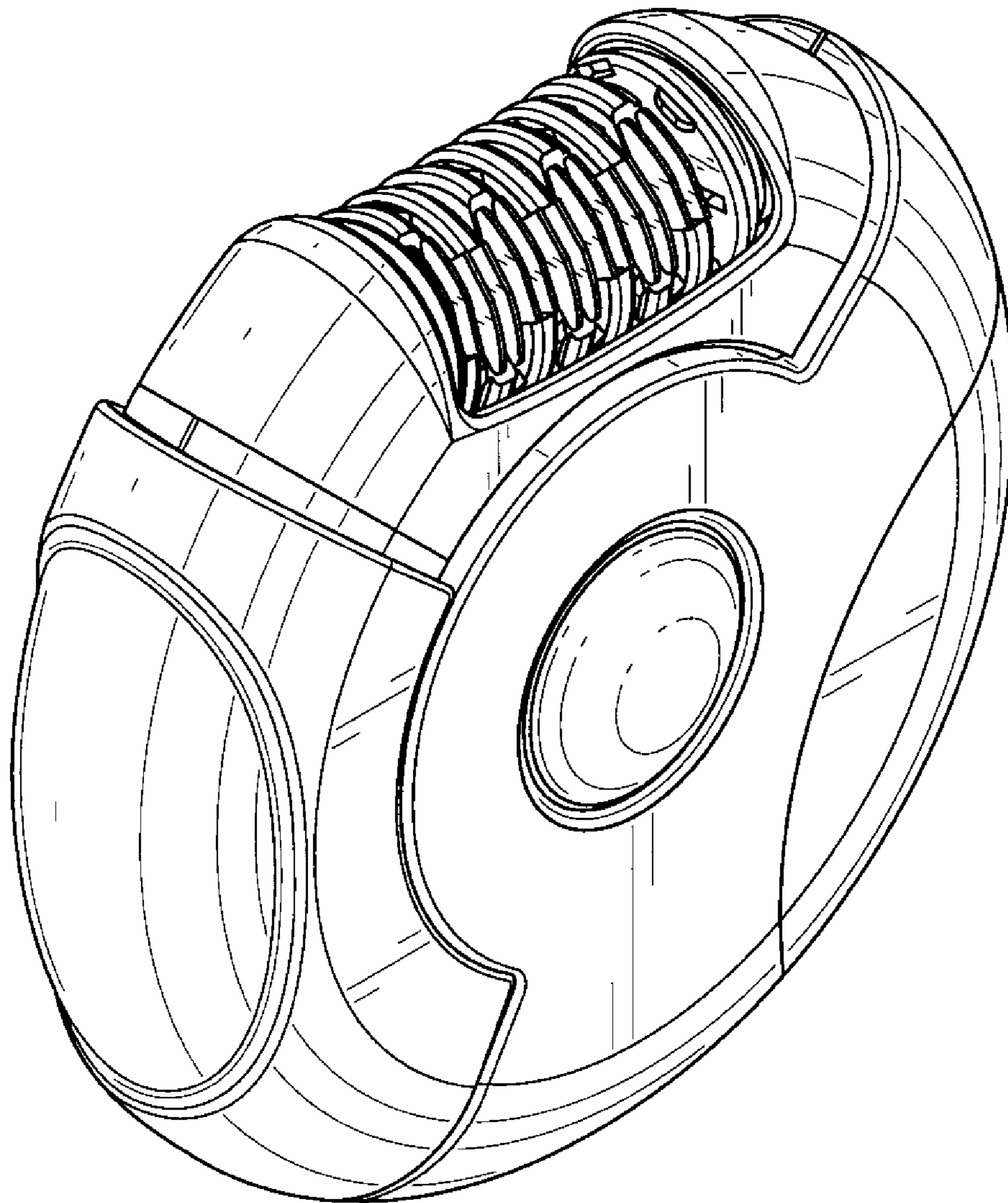


FIG. 2

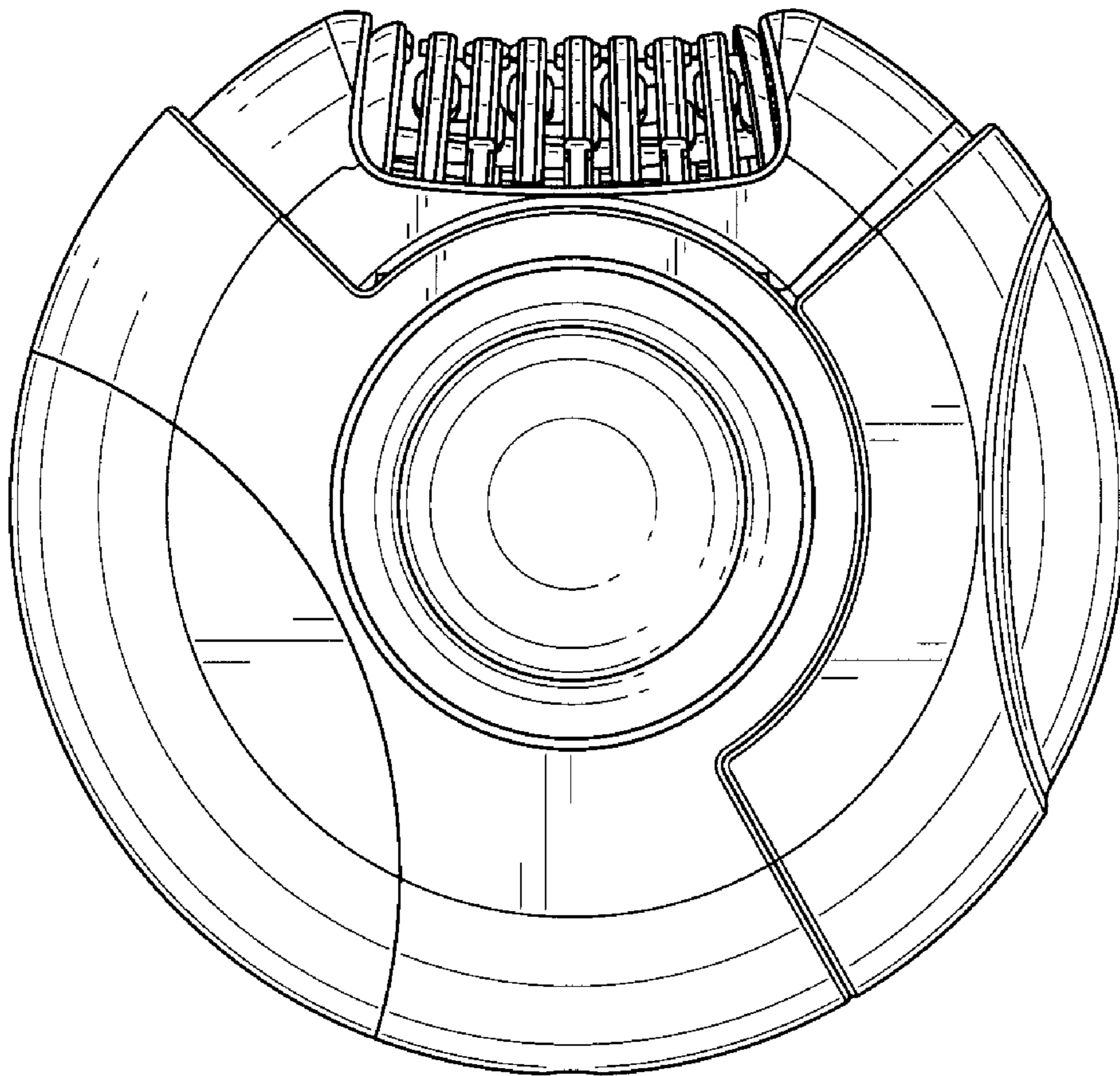


FIG. 3

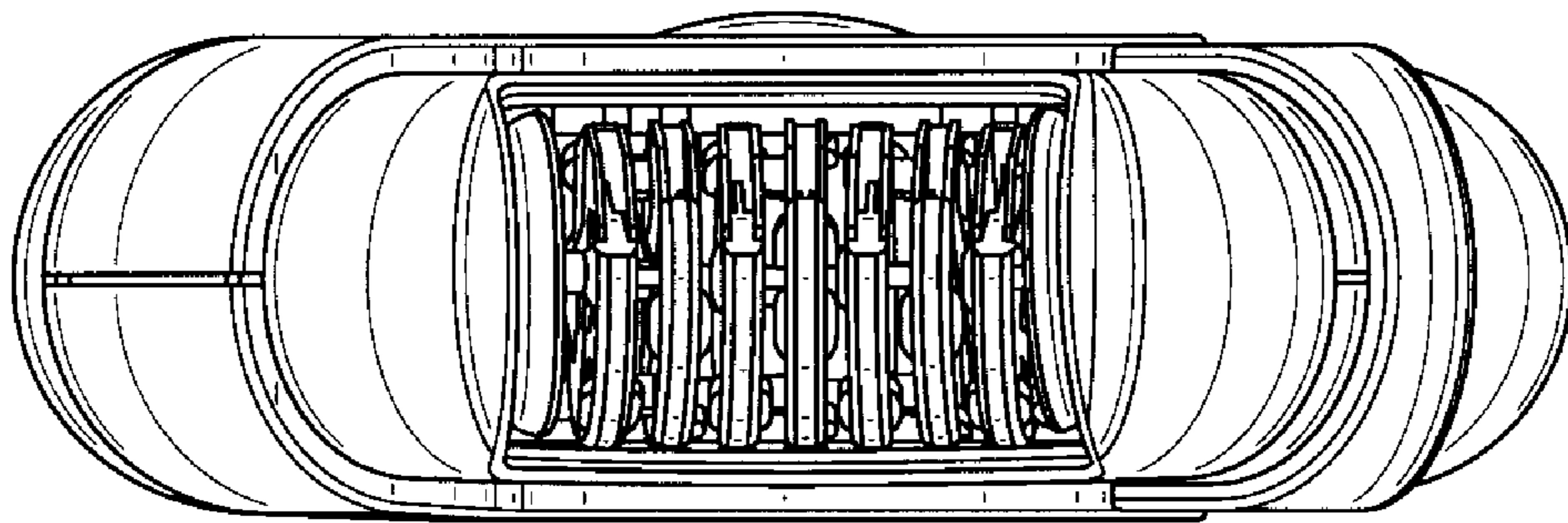


FIG. 4

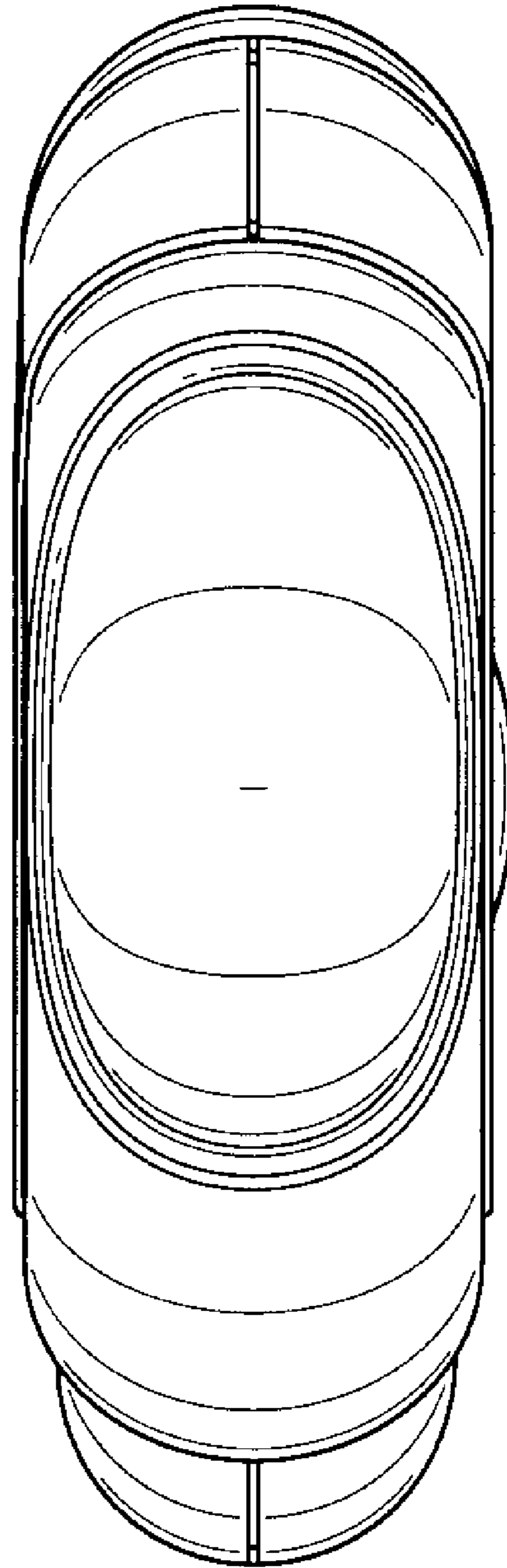


FIG. 5

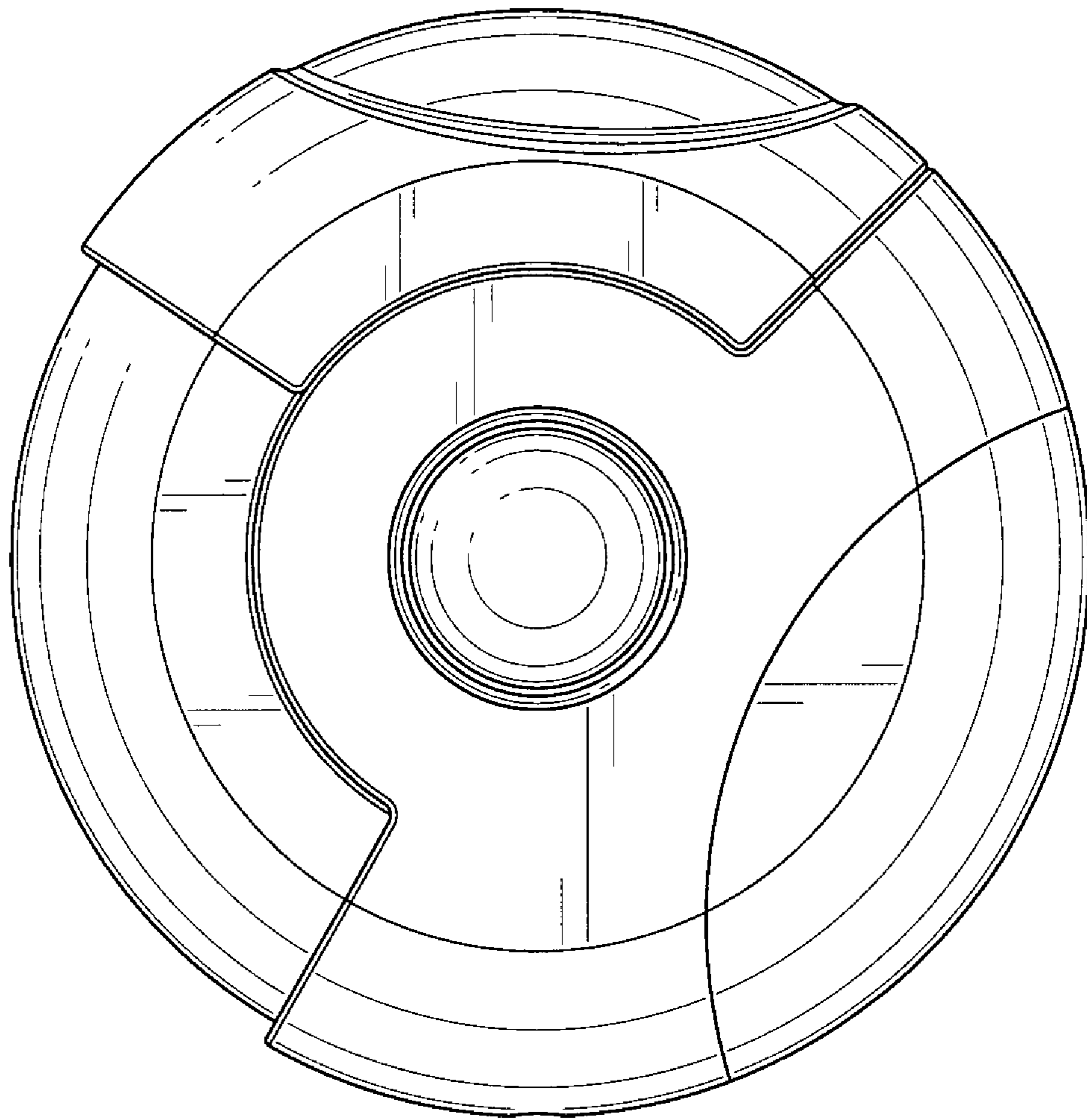


FIG. 6

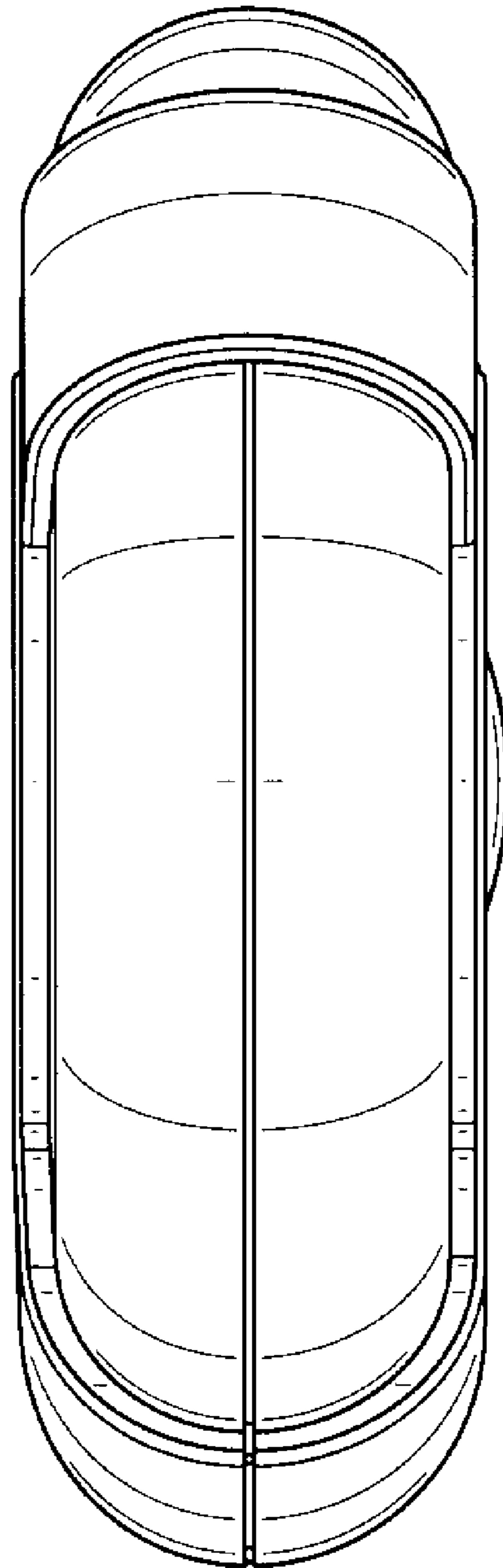


FIG. 7



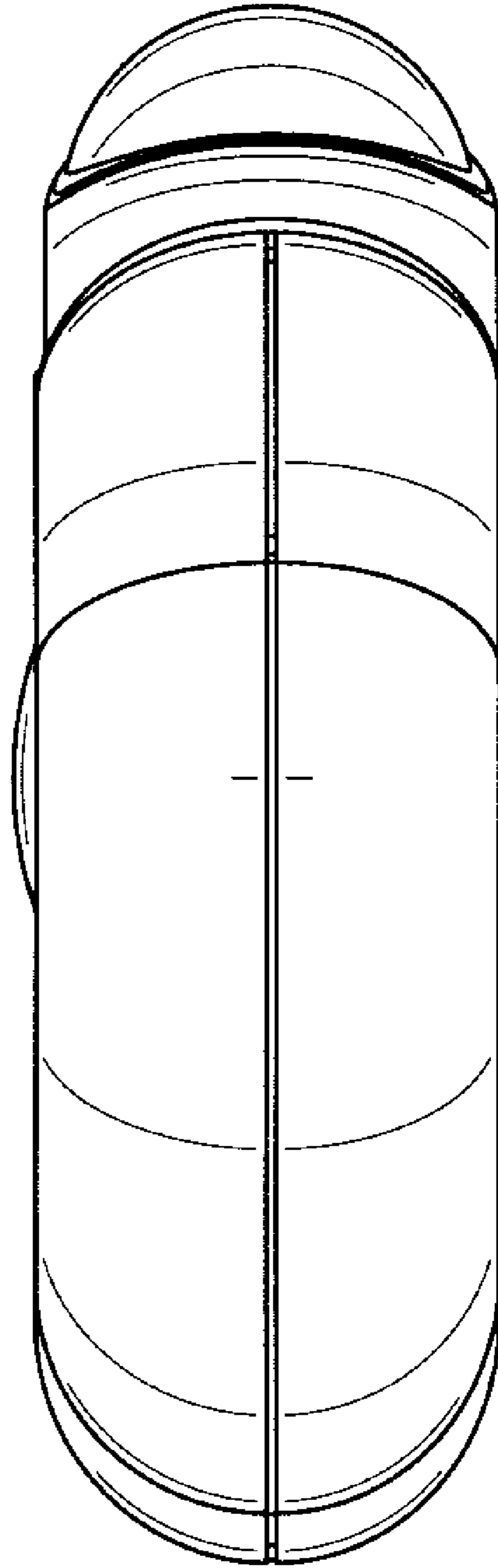


FIG. 8

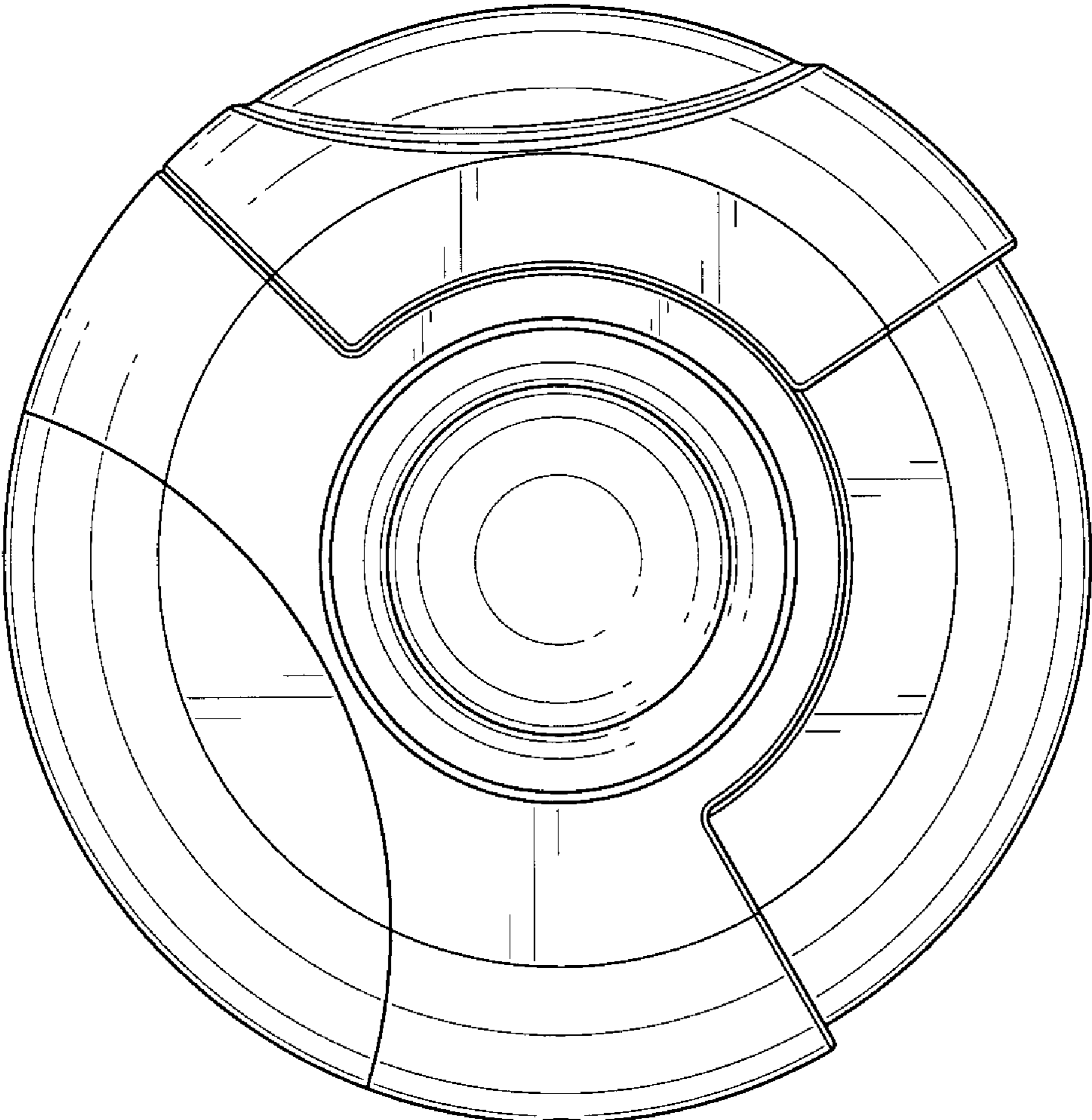


FIG. 9