



US00D566331S

(12) **United States Design Patent**
Hartstock

(10) **Patent No.:** **US D566,331 S**

(45) **Date of Patent:** **** Apr. 8, 2008**

(54) **APPLICATOR FOR LIP COSMETICS**

(75) Inventor: **Karl Hartstock**, Ansbach (DE)

(73) Assignee: **Geka Brush GmbH**, Bechhofen-Waizendorf (DE)

(**) Term: **14 Years**

(21) Appl. No.: **29/269,321**

(22) Filed: **Nov. 29, 2006**

(30) **Foreign Application Priority Data**

Sep. 8, 2006 (EM) 000585740

(51) **LOC (8) Cl.** **28-03**

(52) **U.S. Cl.** **D28/7; D28/85**

(58) **Field of Classification Search** D28/7,
D28/76, 77, 85-90; 401/202, 126-130; D9/500,
D9/503-504, 529; 206/581, 823, 385; 132/320,
132/218, 316-318

See application file for complete search history.

(56) **References Cited**

U.S. PATENT DOCUMENTS

4,998,838 A * 3/1991 Cancelosa et al. 401/202

D477,215 S * 7/2003 Mechtold et al. D9/699
D527,143 S * 8/2006 Fischer D28/7
2004/0213627 A1* 10/2004 Marschand et al. 401/202
2006/0065282 A1* 3/2006 Hartstock et al. 132/320
2007/0181143 A1* 8/2007 Montoli 132/320

* cited by examiner

Primary Examiner—Jennifer Rivard

(74) *Attorney, Agent, or Firm*—Browdy and Neimark, P.L.L.C.

(57) **CLAIM**

The ornamental design for applicator for lip cosmetics, as shown and described.

DESCRIPTION

FIG. 1 is a perspective view of applicator for lip cosmetics, showing my new design;

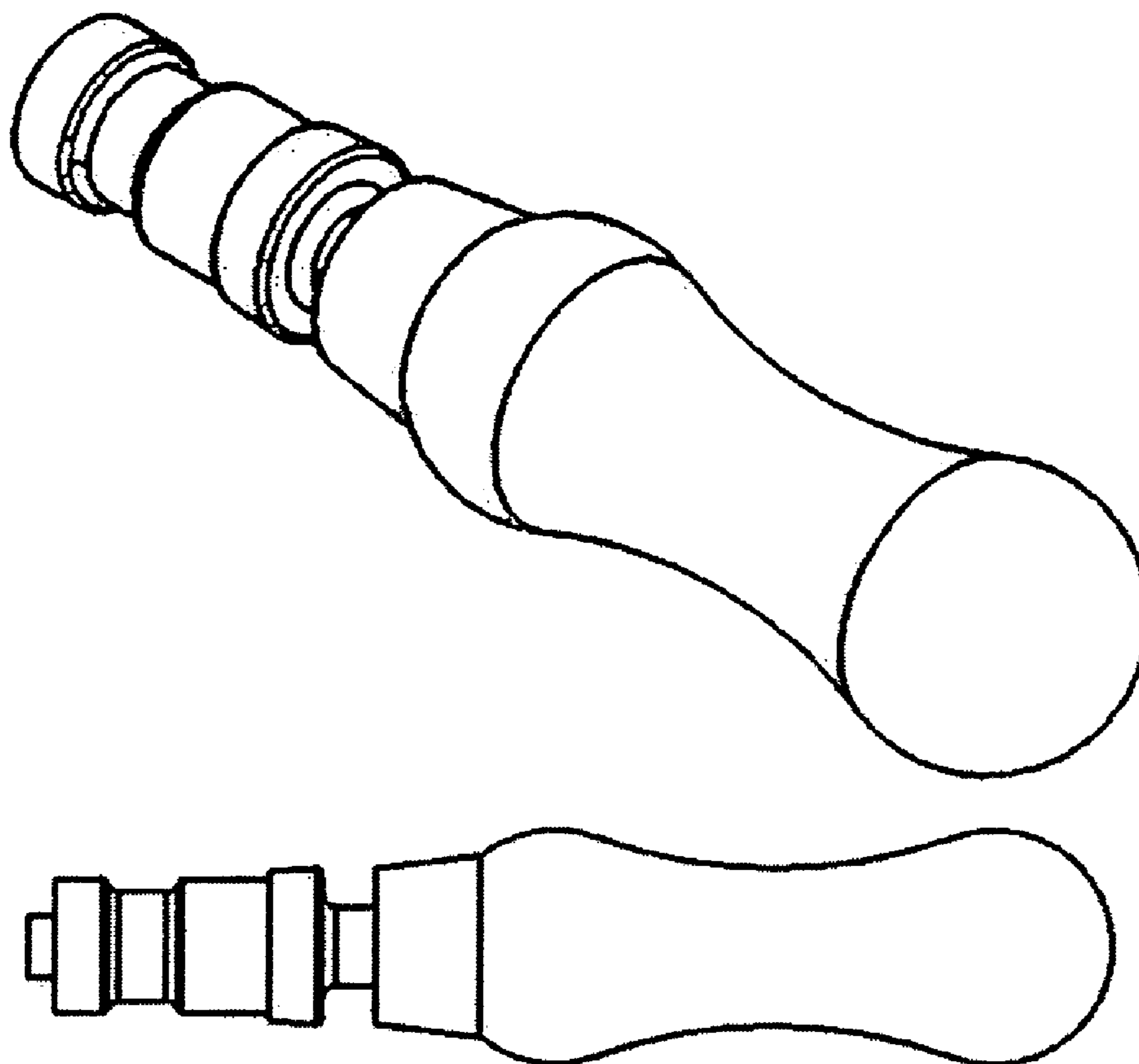
FIG. 2 is a front view thereof;

FIG. 3 is a rear view thereof;

FIG. 4 is a side elevational view (right) thereof; and,

FIG. 5 is a side elevational view (left) thereof.

1 Claim, 2 Drawing Sheets



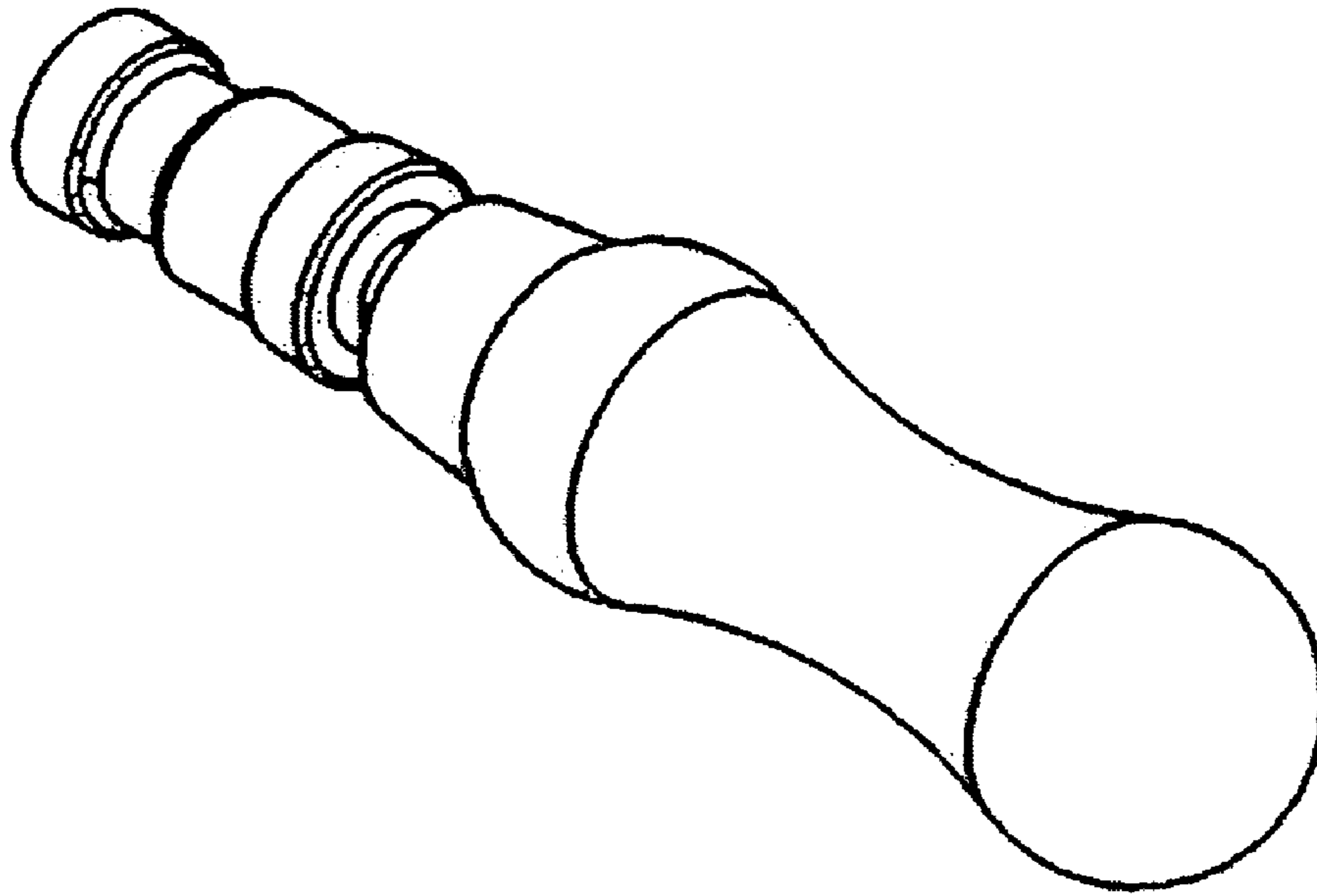


Fig. 1

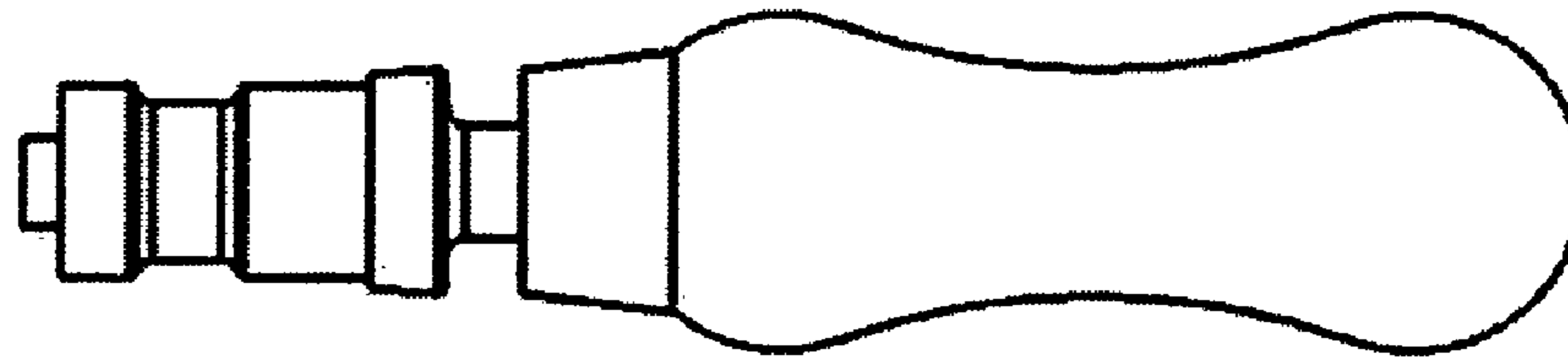


Fig. 2

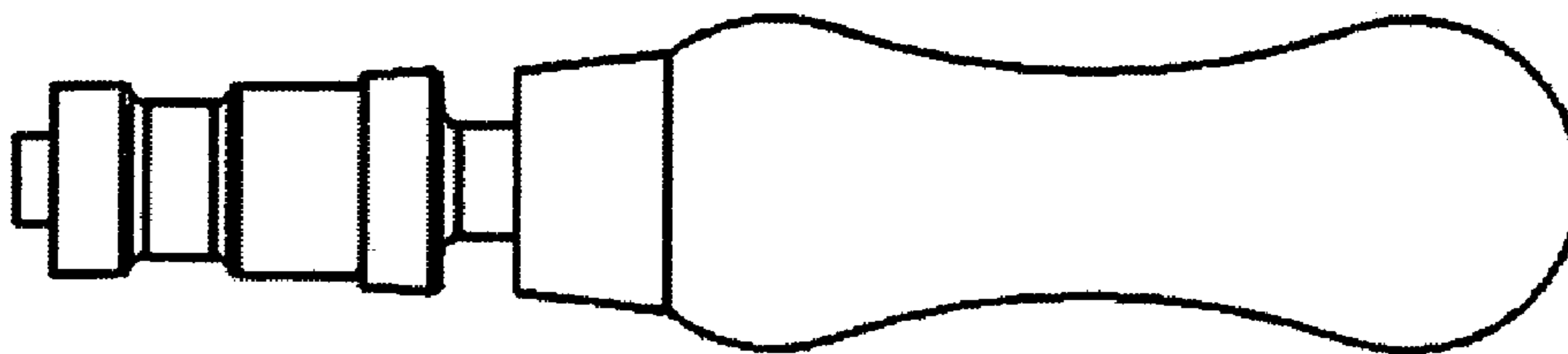


Fig. 3

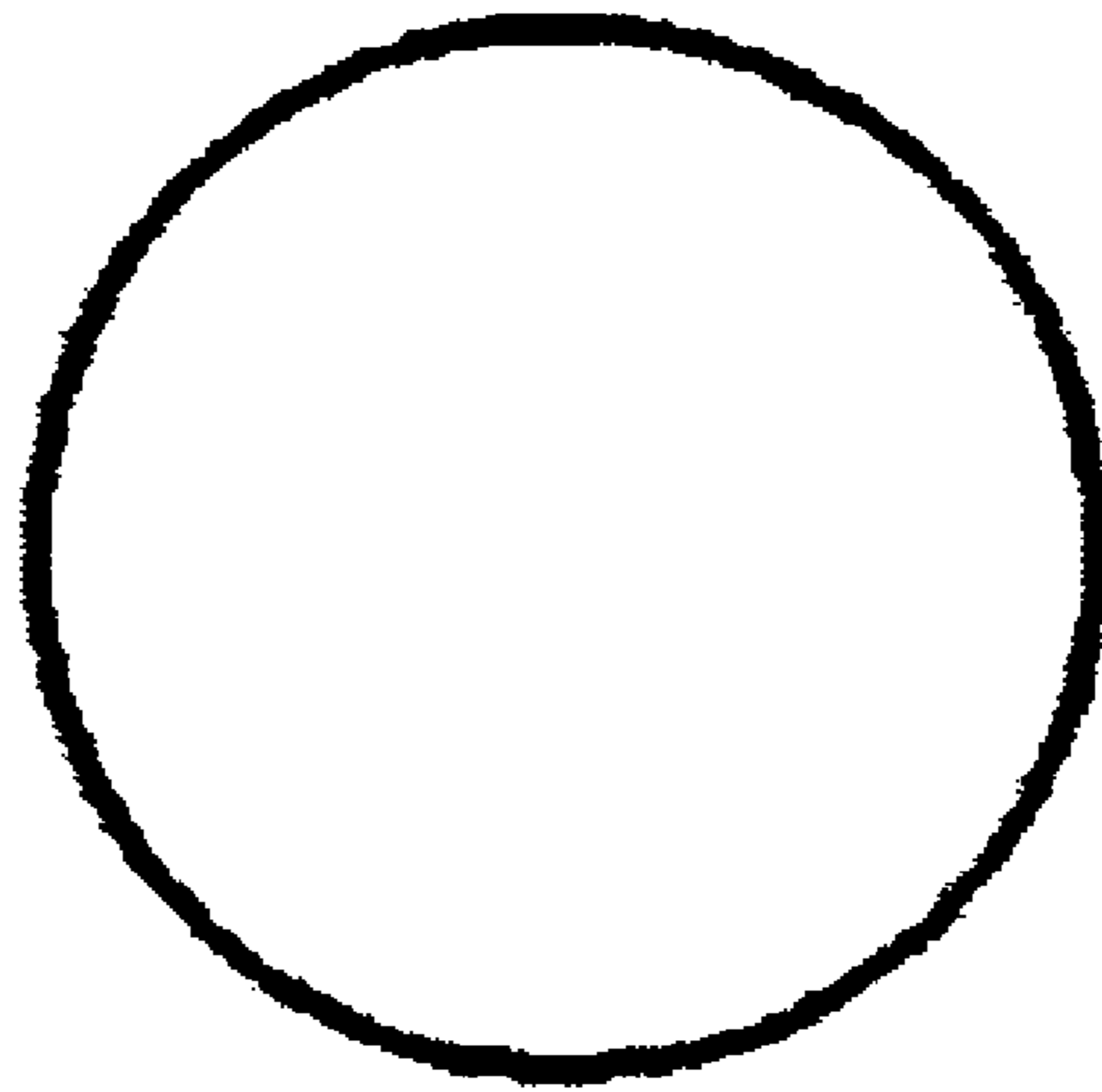


Fig. 4

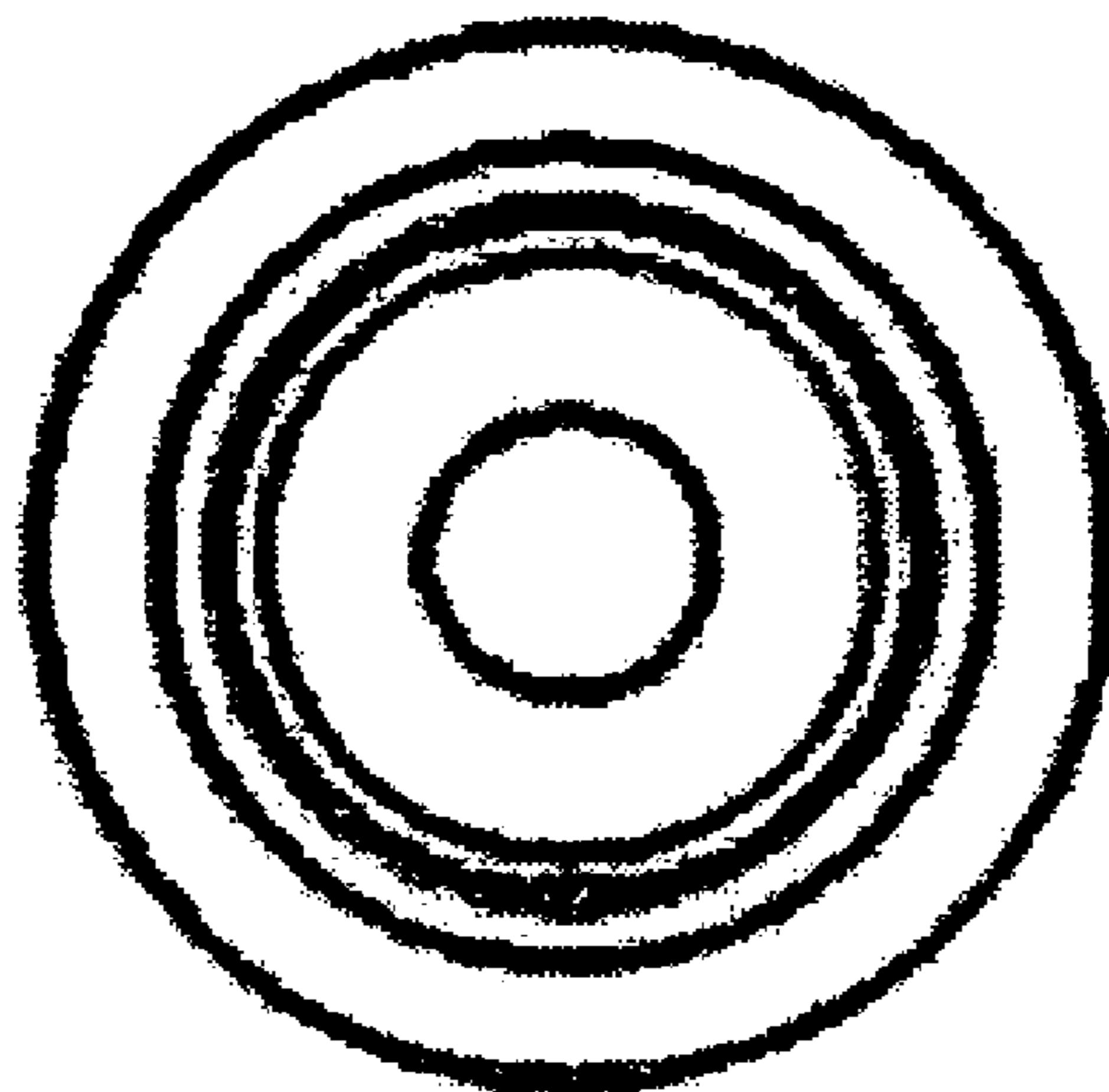


Fig. 5