

US00D566328S

(12) **United States Design Patent** (10) **Patent No.:** **US D566,328 S**  
**Catron** (45) **Date of Patent:** **\*\* Apr. 8, 2008**

(54) **SMOKING MANAGEMENT UNIT**  
(75) Inventor: **Mark Allen Catron**, Winchester, VA (US)  
(73) Assignee: **Rubbermaid Commercial Products LLC**, Winchester, VA (US)  
(\*\*) Term: **14 Years**  
(21) Appl. No.: **29/280,759**  
(22) Filed: **Jun. 6, 2007**  
(51) **LOC (8) Cl.** ..... **27-01**  
(52) **U.S. Cl.** ..... **D27/124; D27/133**  
(58) **Field of Classification Search** ..... 131/231, 131/235.1, 236, 234, 237.5, 238, 256, 240.1-245; D27/102-108, 122-124, 133-137; 220/576; 206/246  
See application file for complete search history.

(56) **References Cited**  
U.S. PATENT DOCUMENTS  
D100,049 S \* 6/1936 Schultz ..... D27/123  
D101,459 S \* 10/1936 Hoffmann ..... D27/124  
D106,817 S \* 11/1937 MacCowan ..... D27/123  
D143,024 S \* 11/1945 Olin ..... D27/124  
D143,671 S \* 1/1946 Panzer ..... D27/123  
D151,236 S \* 10/1948 Harper ..... D27/124  
D552,790 S \* 10/2007 Catron et al. .... D27/124

\* cited by examiner  
*Primary Examiner*—Jennifer Rivard  
(74) *Attorney, Agent, or Firm*—Foley and Lardner LLP

(57) **CLAIM**  
The ornamental design for a smoking management unit, as shown and described.

**DESCRIPTION**  
FIG. 1 is a top frontal perspective view of a smoking management unit according to my new design;

FIG. 2 is a front view of the smoking management unit shown in FIG. 1;  
FIG. 3 is a back view of the smoking management unit shown in FIG. 1;  
FIG. 4 is a left side view of the smoking management unit shown in FIG. 1;  
FIG. 5 is a right side view of the smoking management unit shown in FIG. 1;  
FIG. 6 is a top view of the smoking management unit shown in FIG. 1;  
FIG. 7 is a bottom view of the smoking management unit shown in FIG. 1;  
FIG. 8 is a top frontal perspective view of another smoking management unit according to my new design;  
FIG. 9 is a front view of the smoking management unit shown in FIG. 8;  
FIG. 10 is a back view of the smoking management unit shown in FIG. 8;  
FIG. 11 is a left side view of the smoking management unit shown in FIG. 8;  
FIG. 12 is a right side view of the smoking management unit shown in FIG. 8;  
FIG. 13 is a top view of the smoking management unit shown in FIG. 8; and,  
FIG. 14 is a bottom view of the smoking management unit shown in FIG. 8.

The ornamental design which is claimed is shown in solid lines in the drawings. The broken lines in the drawings are for illustrative purposes only and form no part of the claimed design.

**1 Claim, 12 Drawing Sheets**

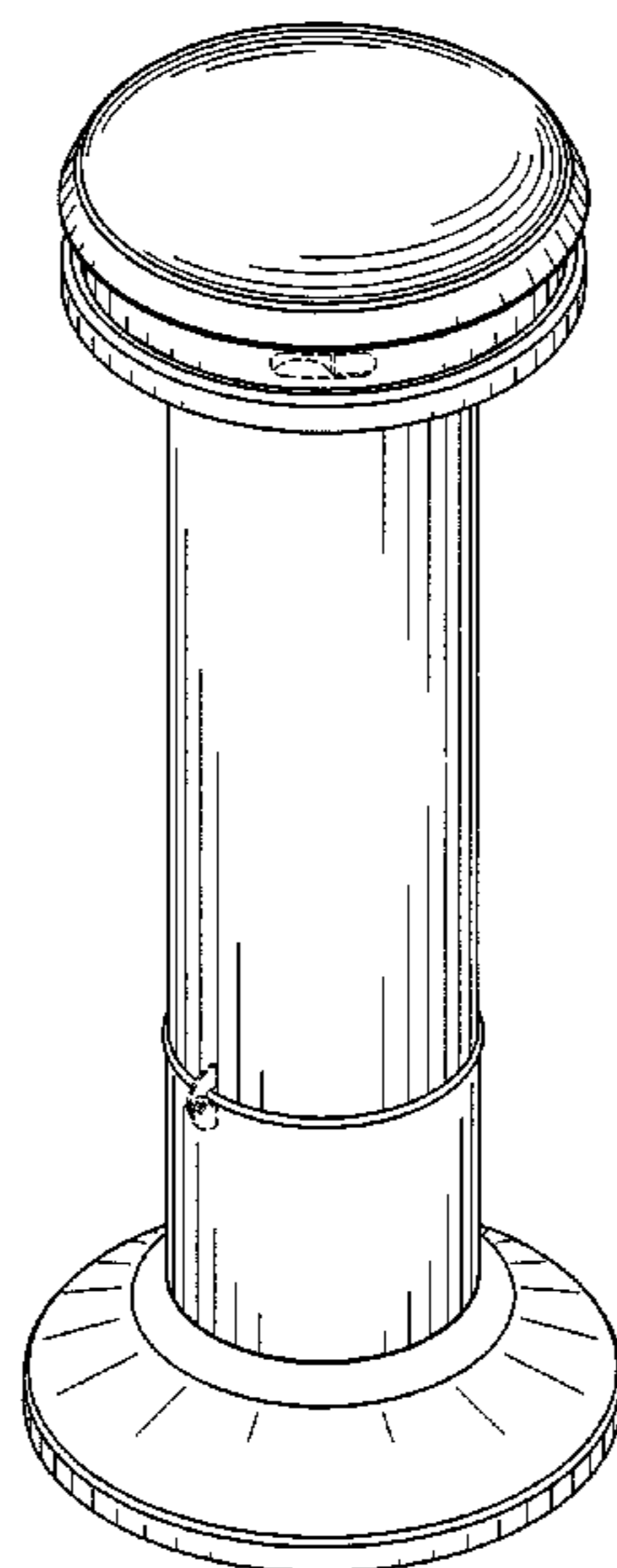


Fig. 1

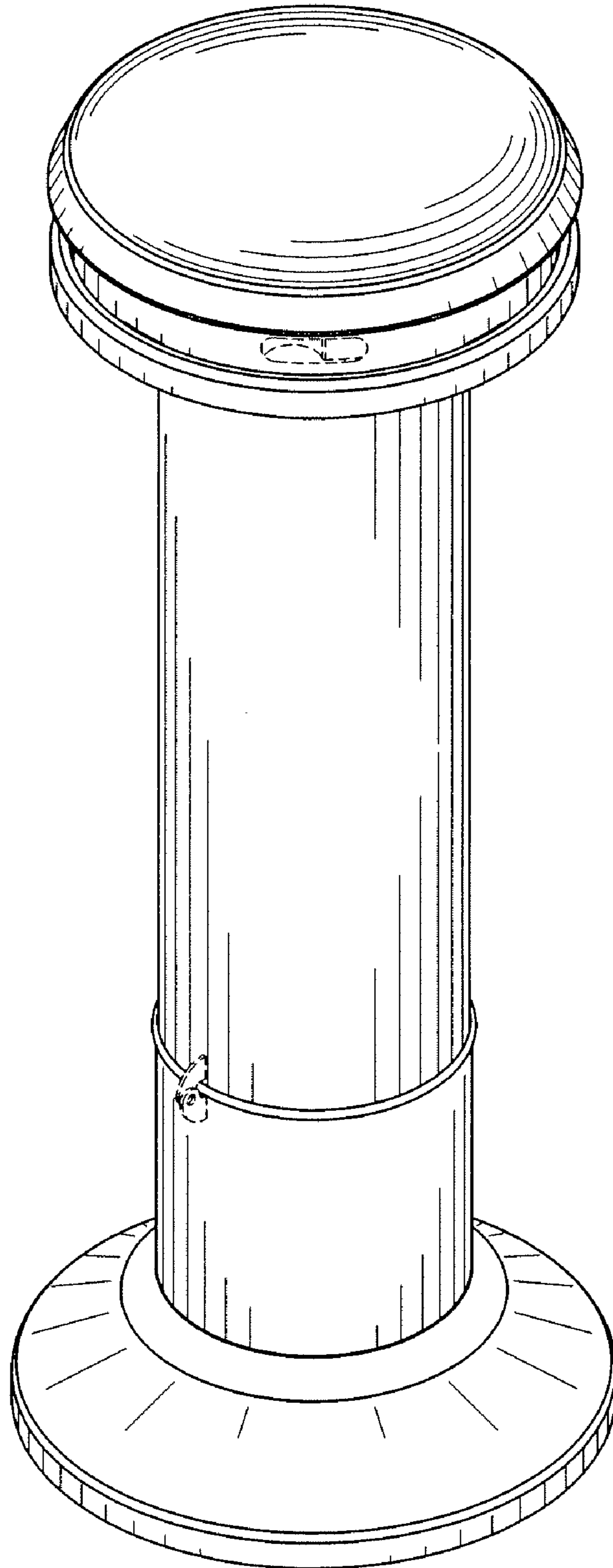


Fig. 2

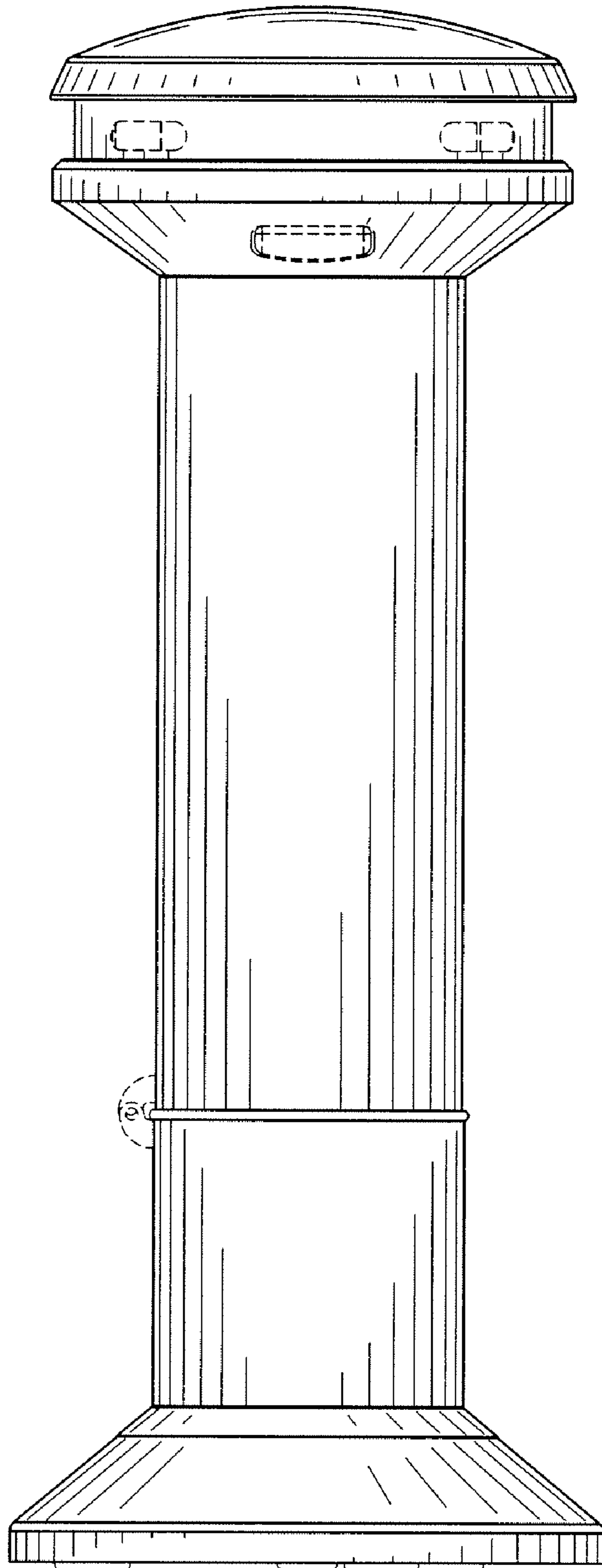


Fig. 3

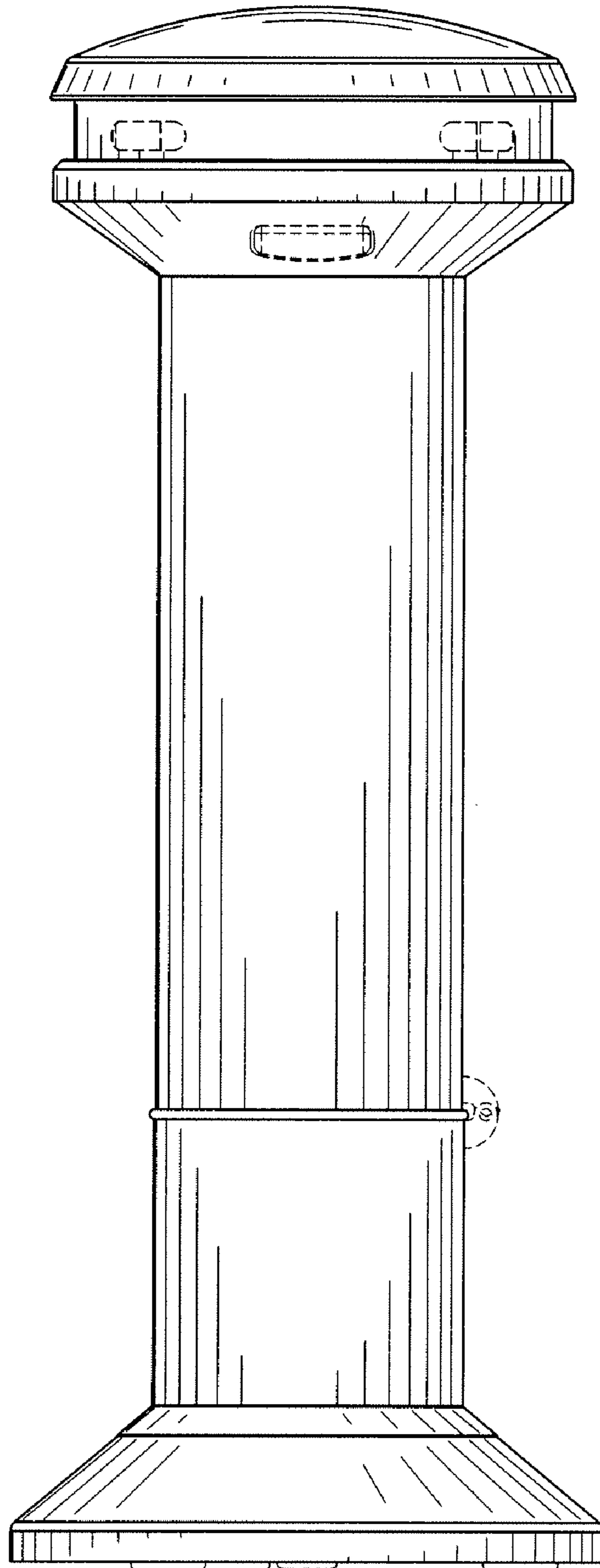


Fig. 4

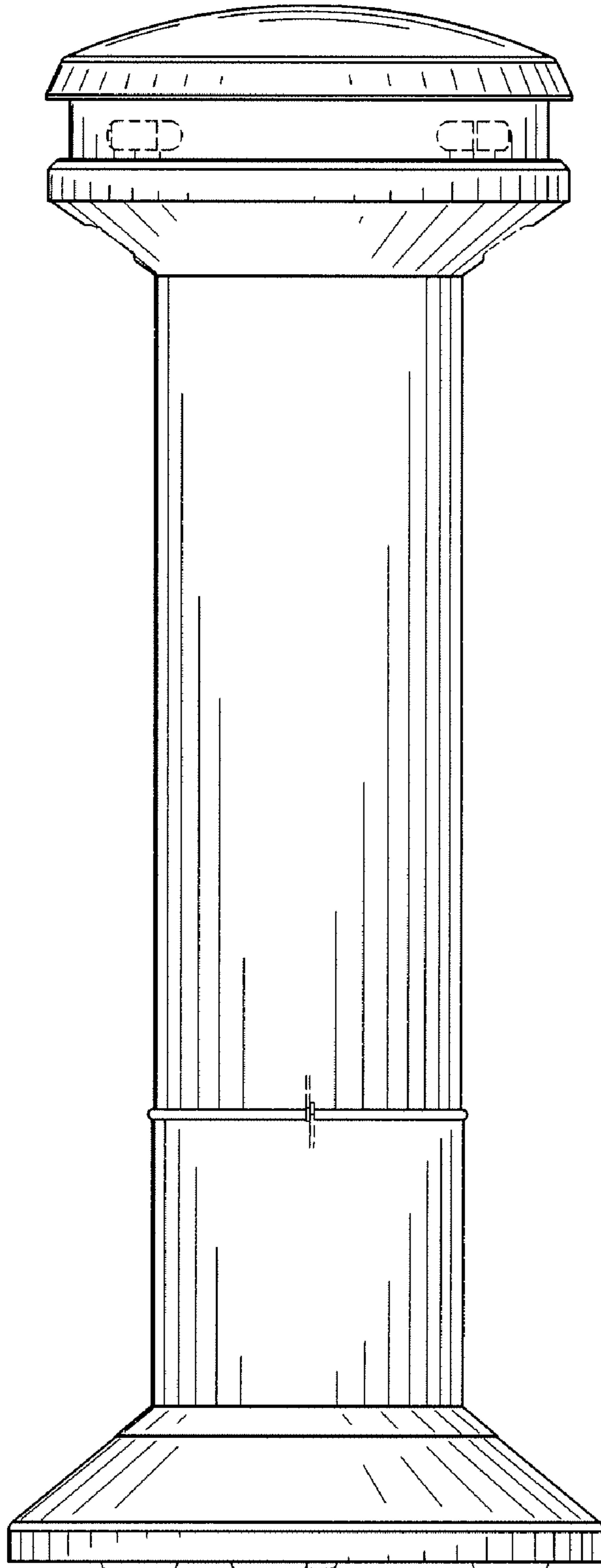


Fig. 5

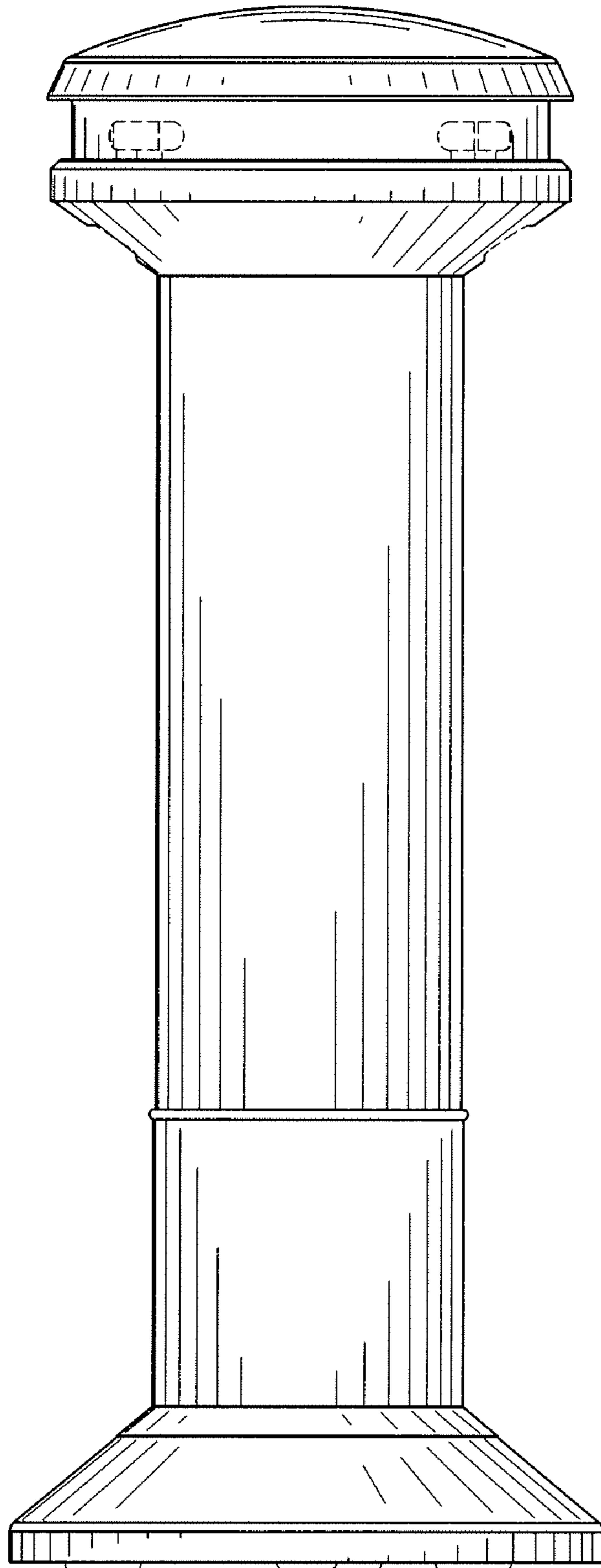




Fig. 6

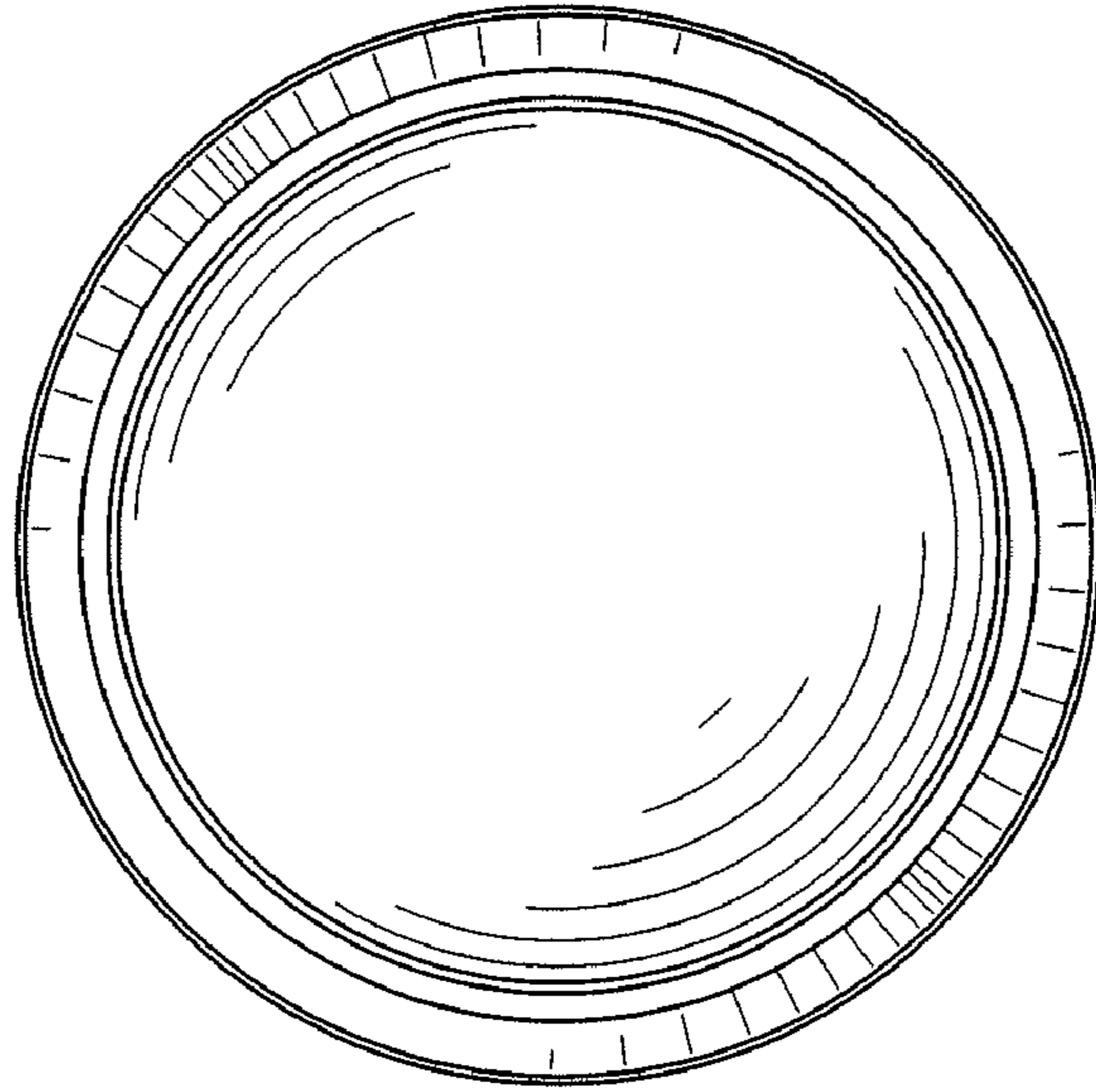


Fig. 7

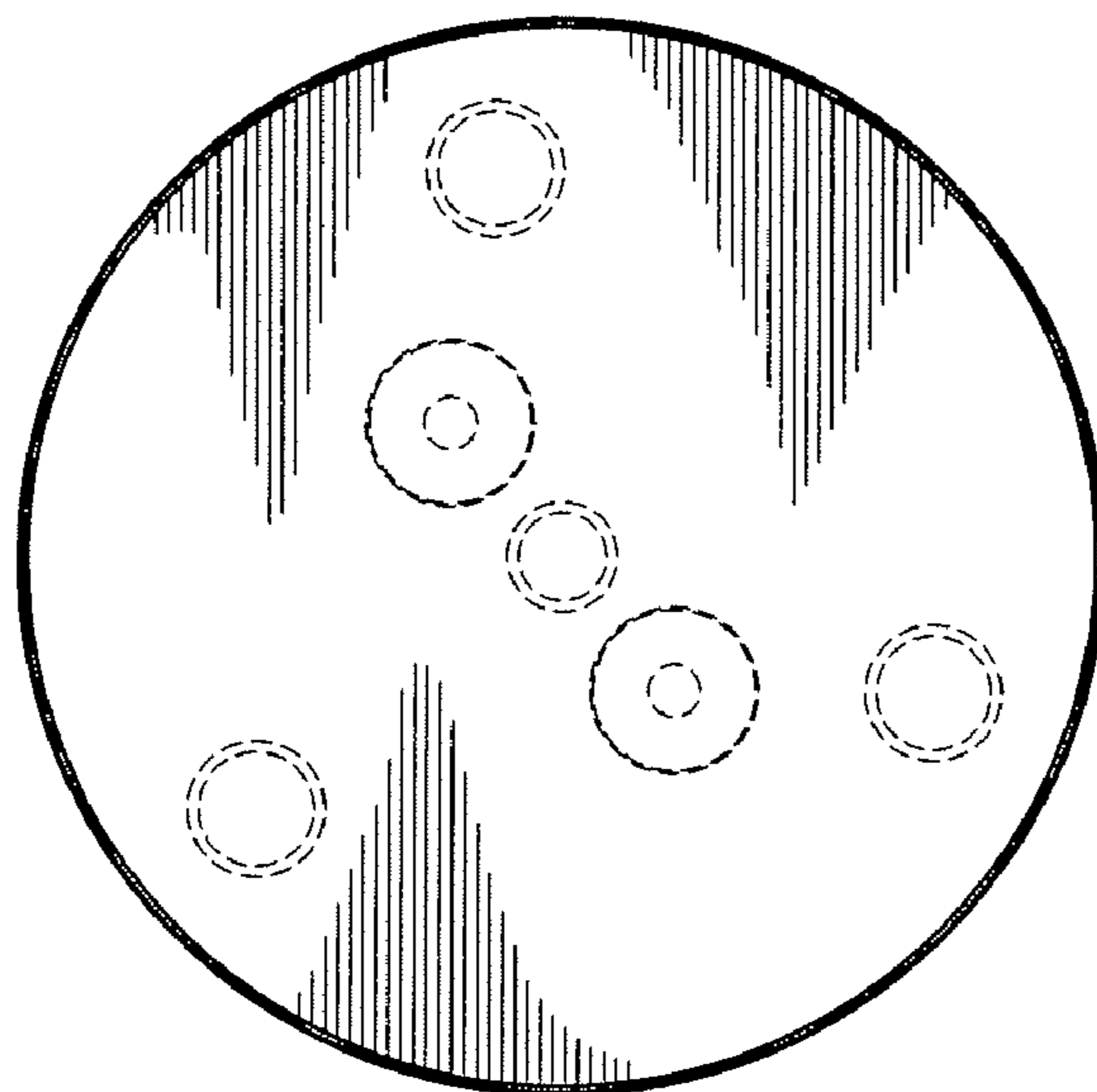


Fig. 8

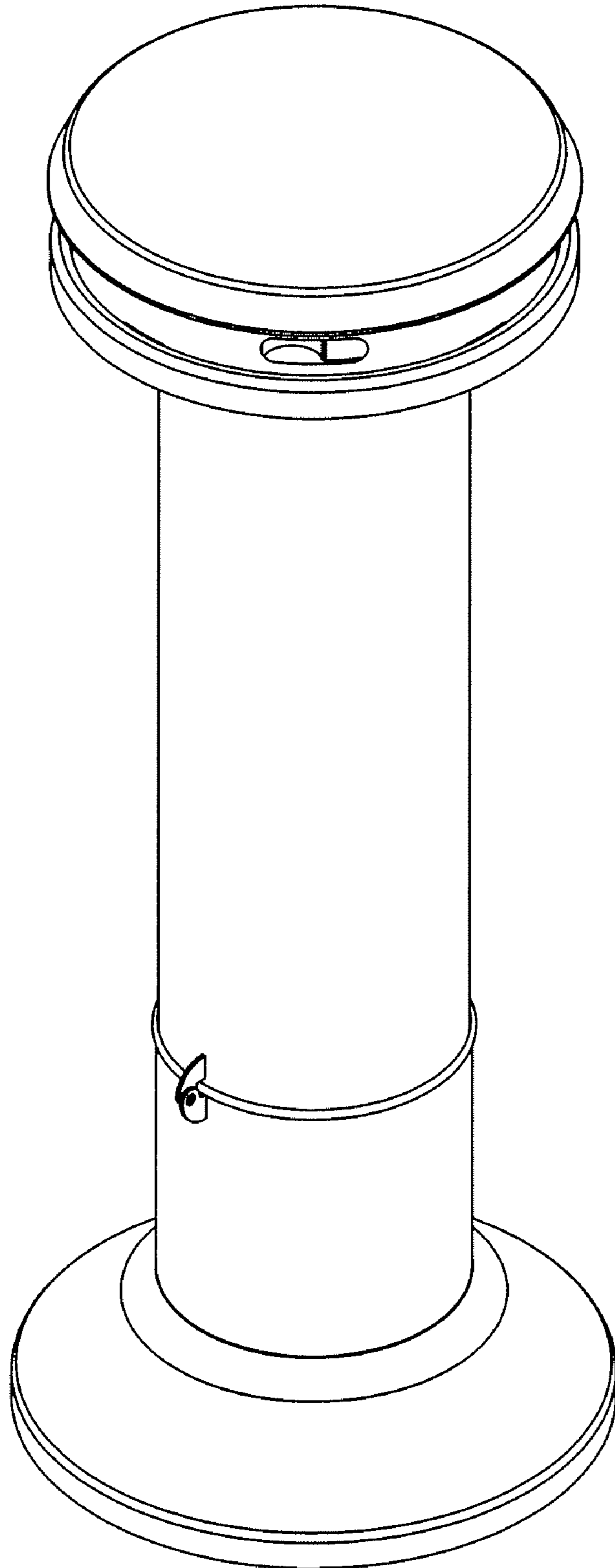




Fig. 9

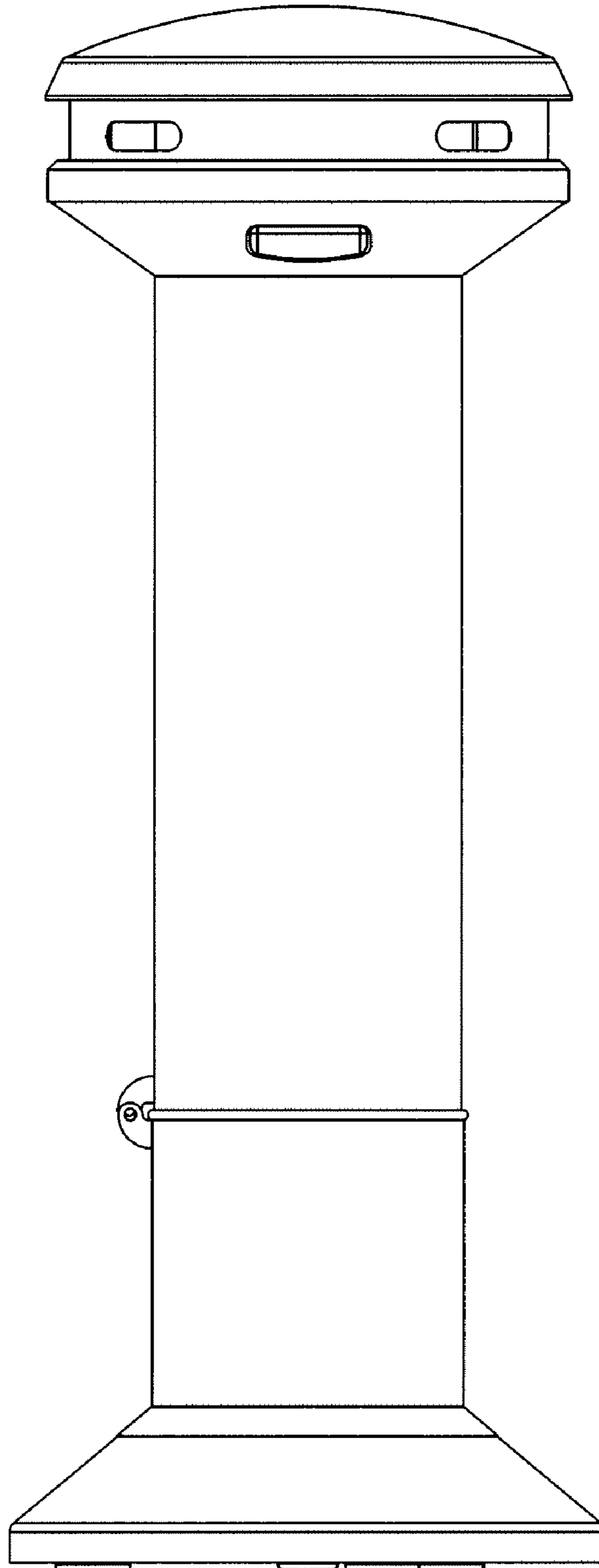


Fig. 10

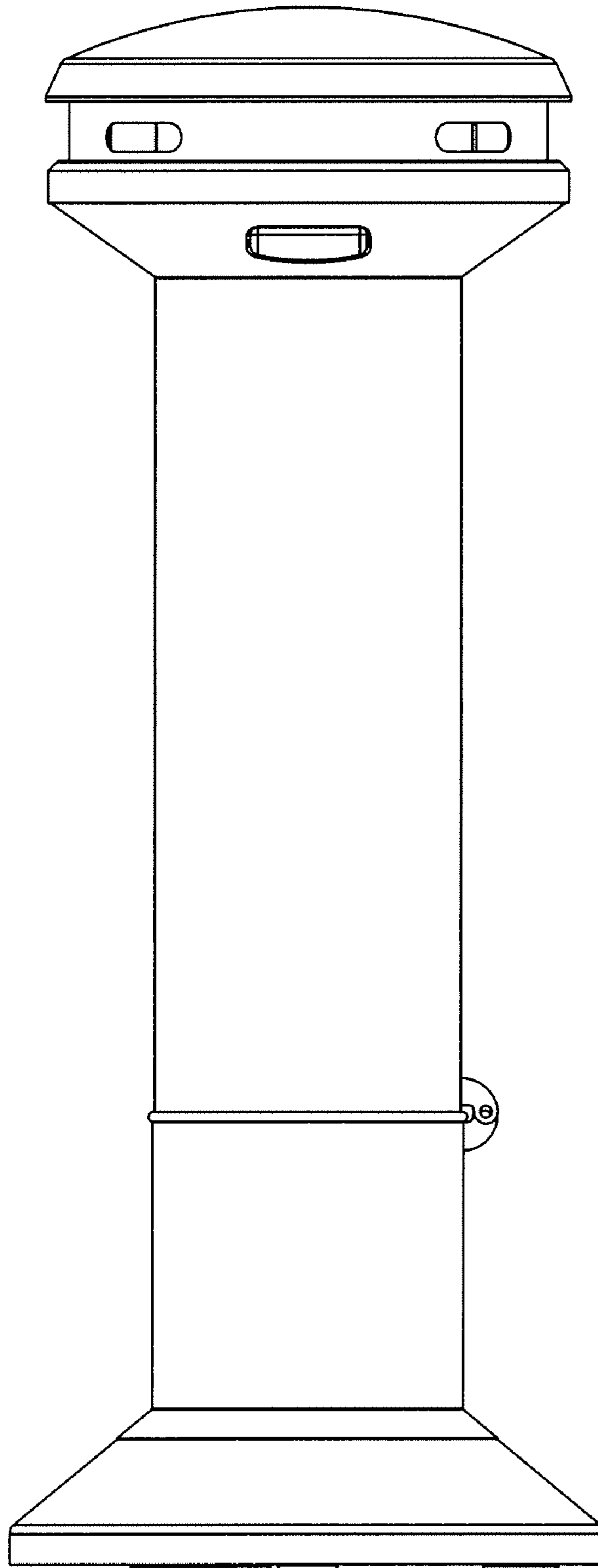


Fig. 11

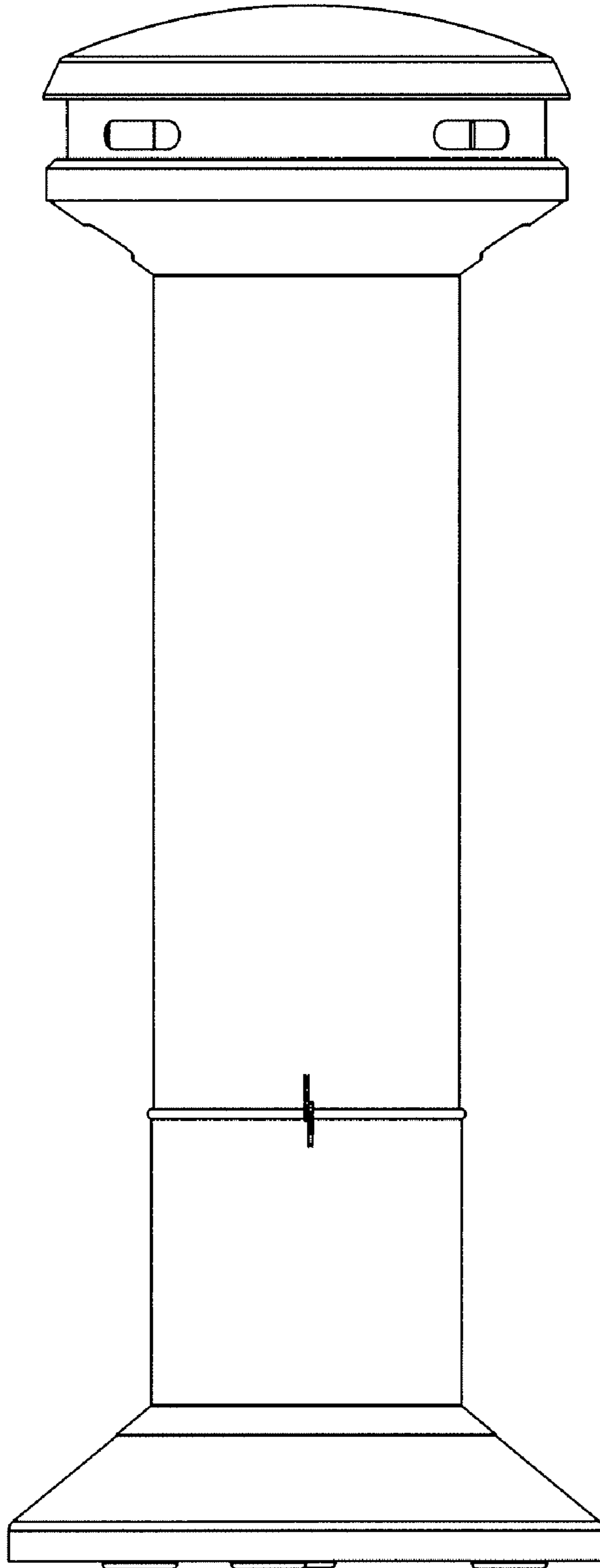


Fig. 12

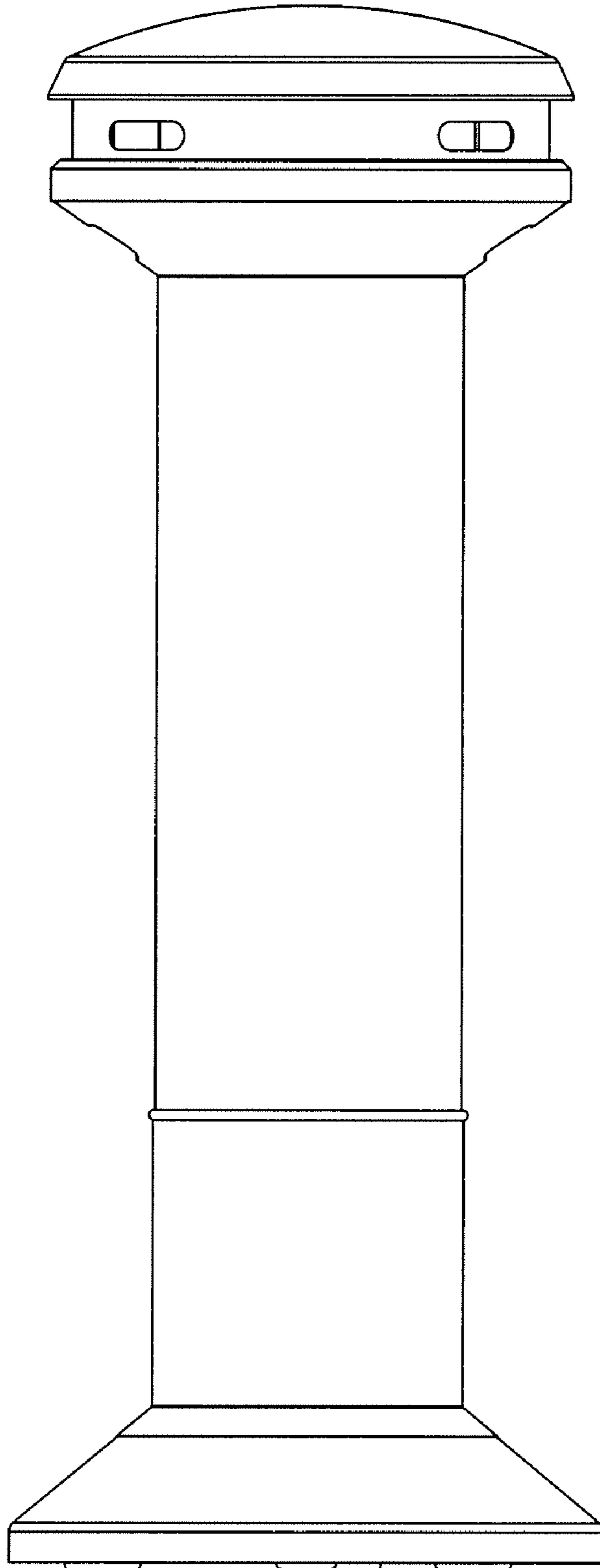


Fig. 13

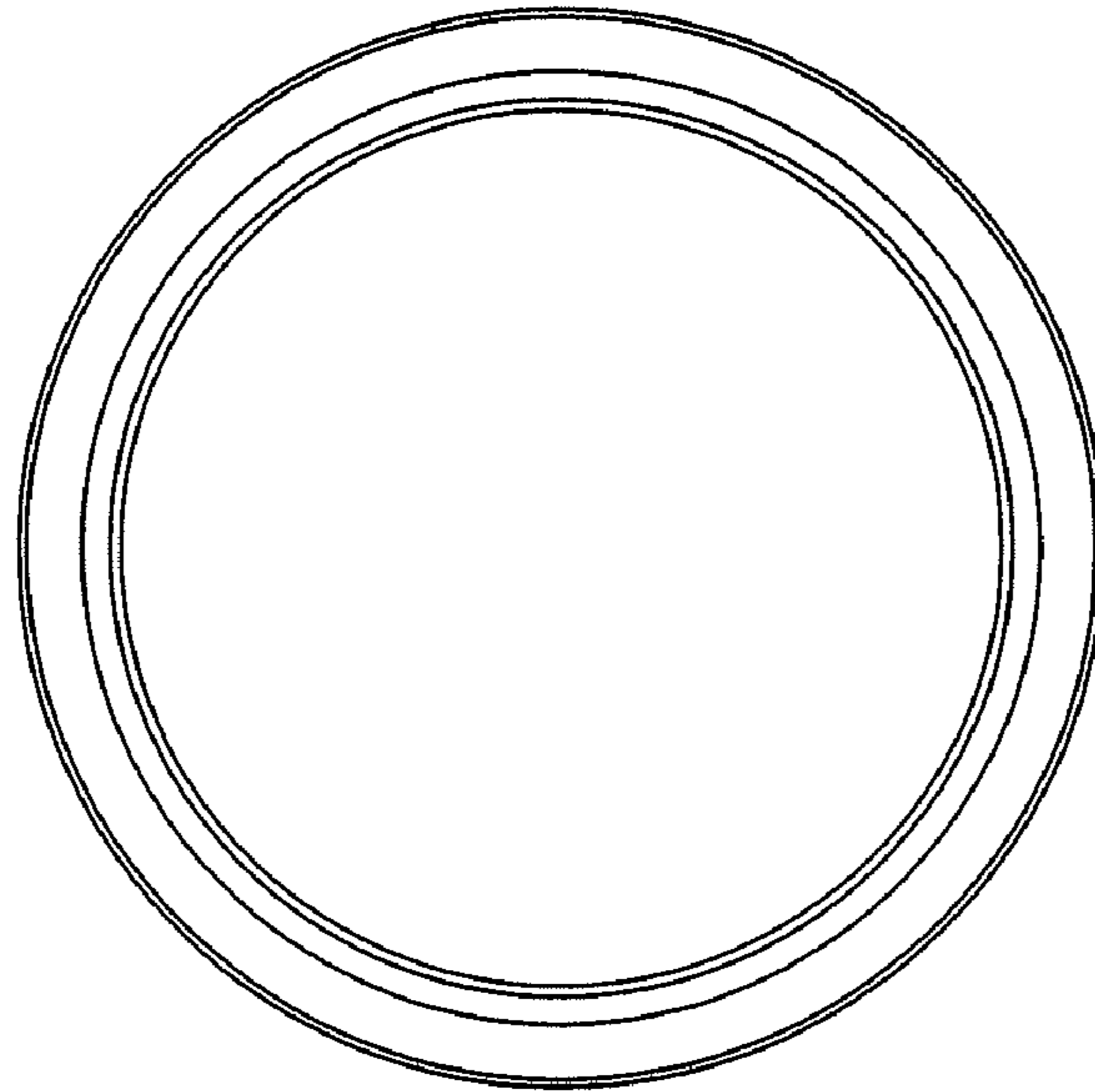


Fig. 14

