



US00D566326S

(12) **United States Design Patent** (10) **Patent No.:** **US D566,326 S**  
**Bentivoglio et al.** (45) **Date of Patent:** **\*\* Apr. 8, 2008**

(54) **PORTION OF A LIGHTING FIXTURE**

(75) Inventors: **Elisa Bentivoglio**, Houston, TX (US);  
**Cary Heefner**, Annapolis, MD (US)

(73) Assignee: **Boyd Lighting Fixture Company**, San Francisco, CA (US)

(\*\*) Term: **14 Years**

(21) Appl. No.: **29/264,471**

(22) Filed: **Aug. 10, 2006**

(51) **LOC (8) Cl.** ..... **26-99**

(52) **U.S. Cl.** ..... **D26/154**

(58) **Field of Classification Search** ..... D26/24,  
D26/67, 68, 72, 73, 85, 93, 94, 103, 104,  
D26/105, 107, 108, 113, 118, 119, 123, 124,  
D26/125, 128, 129, 154; 362/145, 147, 257,  
362/317, 351, 352, 355, 356, 357, 358, 362,  
362/363

See application file for complete search history.

(56) **References Cited**

**U.S. PATENT DOCUMENTS**

595,636	A *	12/1897	Kuhnert	362/355
D40,721	S *	6/1910	Handel	D26/125
D48,158	S *	11/1915	Morrell	D26/92
D73,631	S *	10/1927	Wolter	D26/24
D100,102	S *	6/1936	Halvorson	D26/85
2,212,638	A *	8/1940	Franke	428/11
D125,312	S *	2/1941	Logan	D26/88
3,479,501	A *	11/1969	Pisciotta et al.	362/355
D422,742	S *	4/2000	Yoshikawa	D26/125
D423,708	S *	4/2000	Giese et al.	D26/68
D431,669	S *	10/2000	Milicia	D26/128
D439,693	S *	3/2001	Milicia	D26/68
D461,272	S *	8/2002	Davis, Jr.	D26/128
D468,052	S *	12/2002	Kitras	D26/129
6,733,155	B2 *	5/2004	Lee et al.	362/640
D495,969	S *	9/2004	Ensign	D11/121

**OTHER PUBLICATIONS**

Contemporary Heaven website, <http://www.contemporaryheaven.co.uk/productdetails.aspx?ref=656&m=2&mi=65>, Large Mesh Ball Pendant Light, Massive Lighting Ltd., 2005.\*

(Continued)

*Primary Examiner*—Freda S. Nunn

*Assistant Examiner*—Kevin K Rudzinski

(74) *Attorney, Agent, or Firm*—Heslin Rothenberg Farley & Mesiti P.C

(57) **CLAIM**

The ornamental design for a portion of a lighting fixture, as shown and described.

**DESCRIPTION**

This application is related to concurrently filed U.S. design patent application Ser. No. 29/264,458, entitled Lighting Ornament and U.S. design patent application Ser. No. 29/264,472, entitled Lighting Fixture, the subject matter of which are incorporated herein in their entirety by reference.

FIG. 1 is a perspective view of a portion of the lighting fixture in accordance with the new design;

FIG. 2 is a front elevational view thereof;

FIG. 3 is a rear elevational view thereof;

FIG. 4 is a left side elevational view thereof;

FIG. 5 is a right side elevational view thereof;

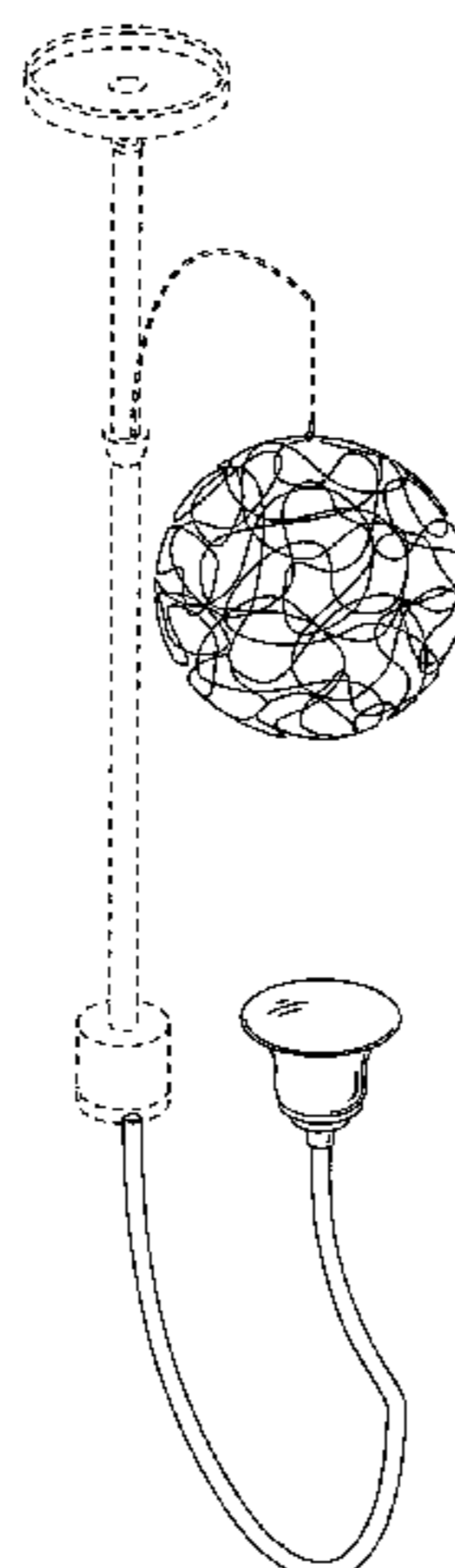
FIG. 6 is a bottom view thereof;

FIG. 7 is a perspective view of the portion of the lighting fixture of FIG. 1 shown configured in a chandelier in dashed lines having one tier of arms; and,

FIG. 8 is a perspective view of the portion of the lighting fixture of FIG. 1 shown configured in a chandelier in dashed lines having two tiers of arms.

The broken lines in the figures are for illustration purposes only and form no part of the claimed invention.

**1 Claim, 8 Drawing Sheets**



OTHER PUBLICATIONS

Bentivoglio et al., pending U.S. Appl. No. 29/264,458, filed Aug. 10, 2006, entitled "Lighting Ornament".

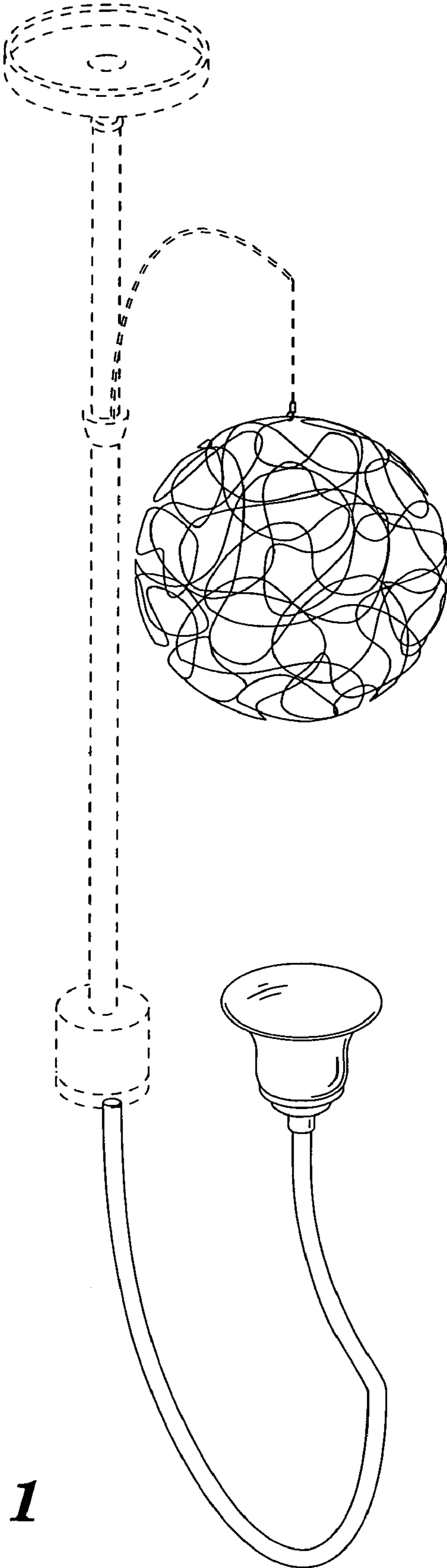
Bentivoglio et al., pending U.S. Appl. No. 29/264,472, filed Aug. 10, 2006, entitled "Lighting Fixture".

Floor Lamp, Nucleus model No. SL648, The Lighting Superstore, 2006, <<http://www.thelightingsuperstore.co.uk/product.asp?productid=16811>>.

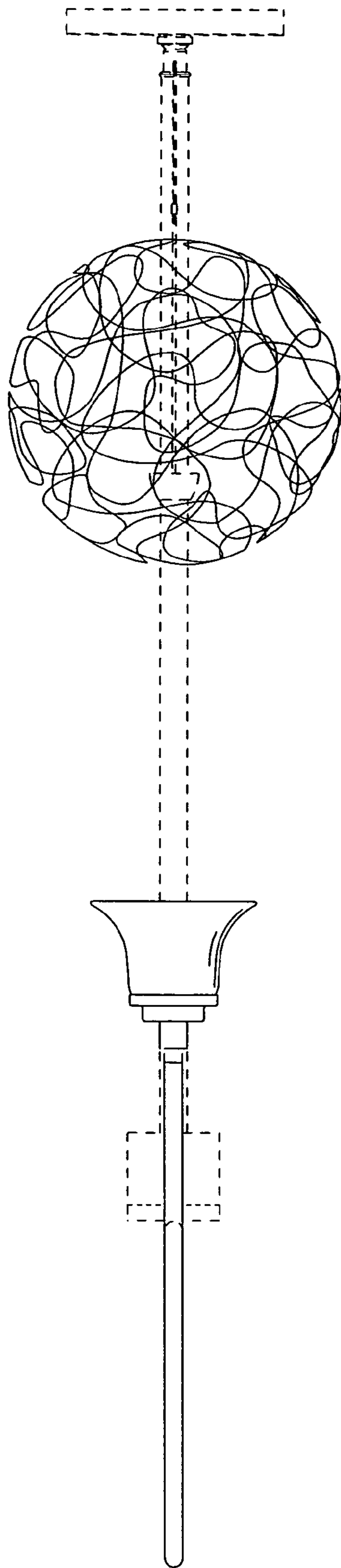
Table Lamp, Nucleus model No. TL741, The Lighting Superstore, 2006, <<http://www.thelightingsuperstore.co.uk/product.asp?productid=16810>>.

Pendant Lamp, Nucleus model No. PE85715, The Lighting Superstore, 2006, <<http://www.thelightingsuperstore.co.uk/product.asp?productid=16808>>.

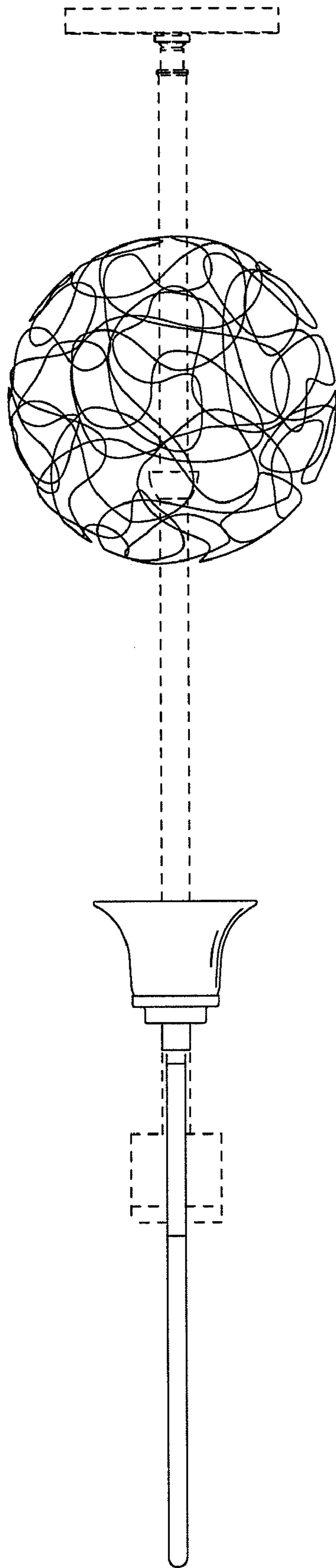
\* cited by examiner



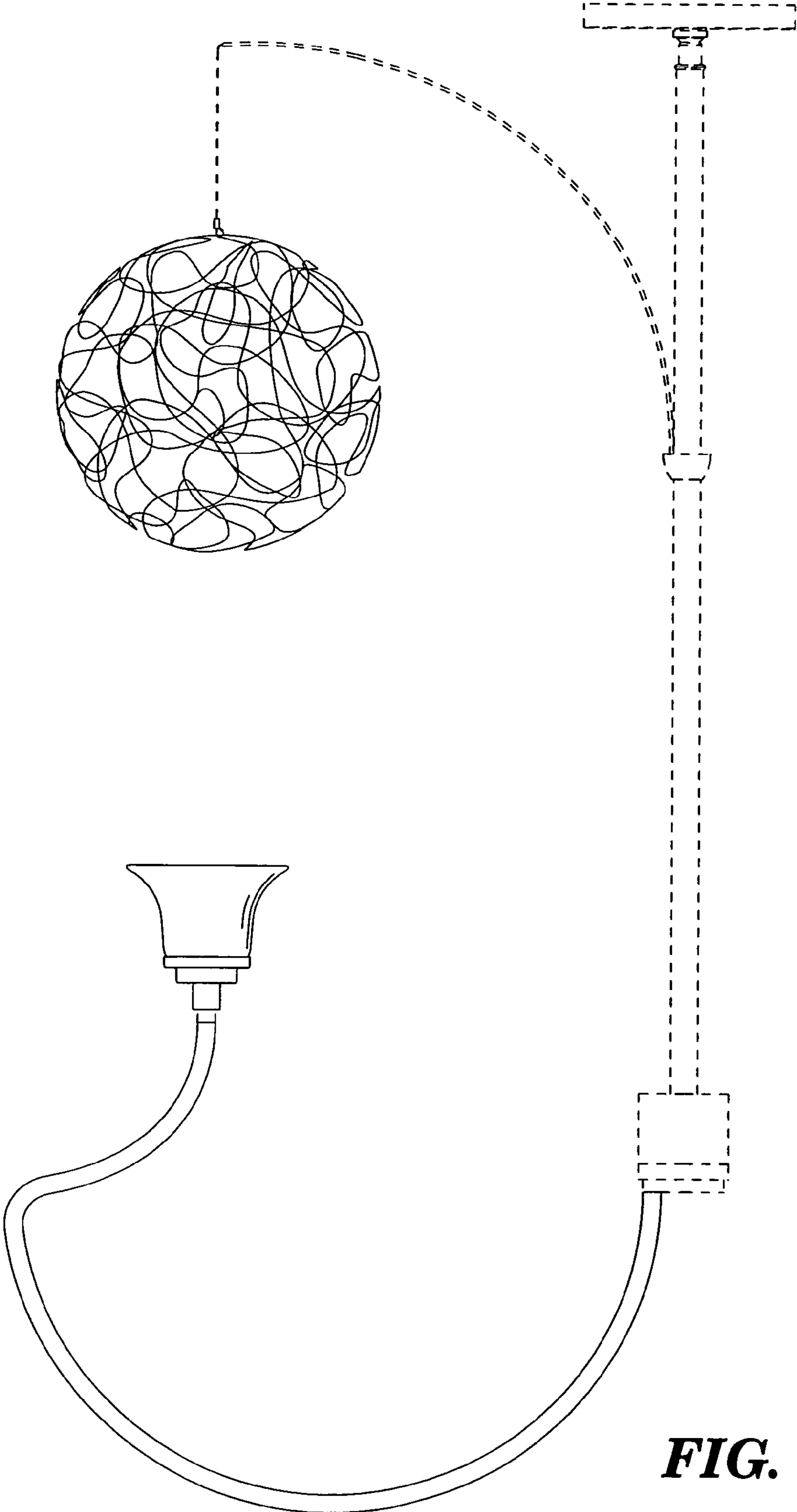
**FIG. 1**



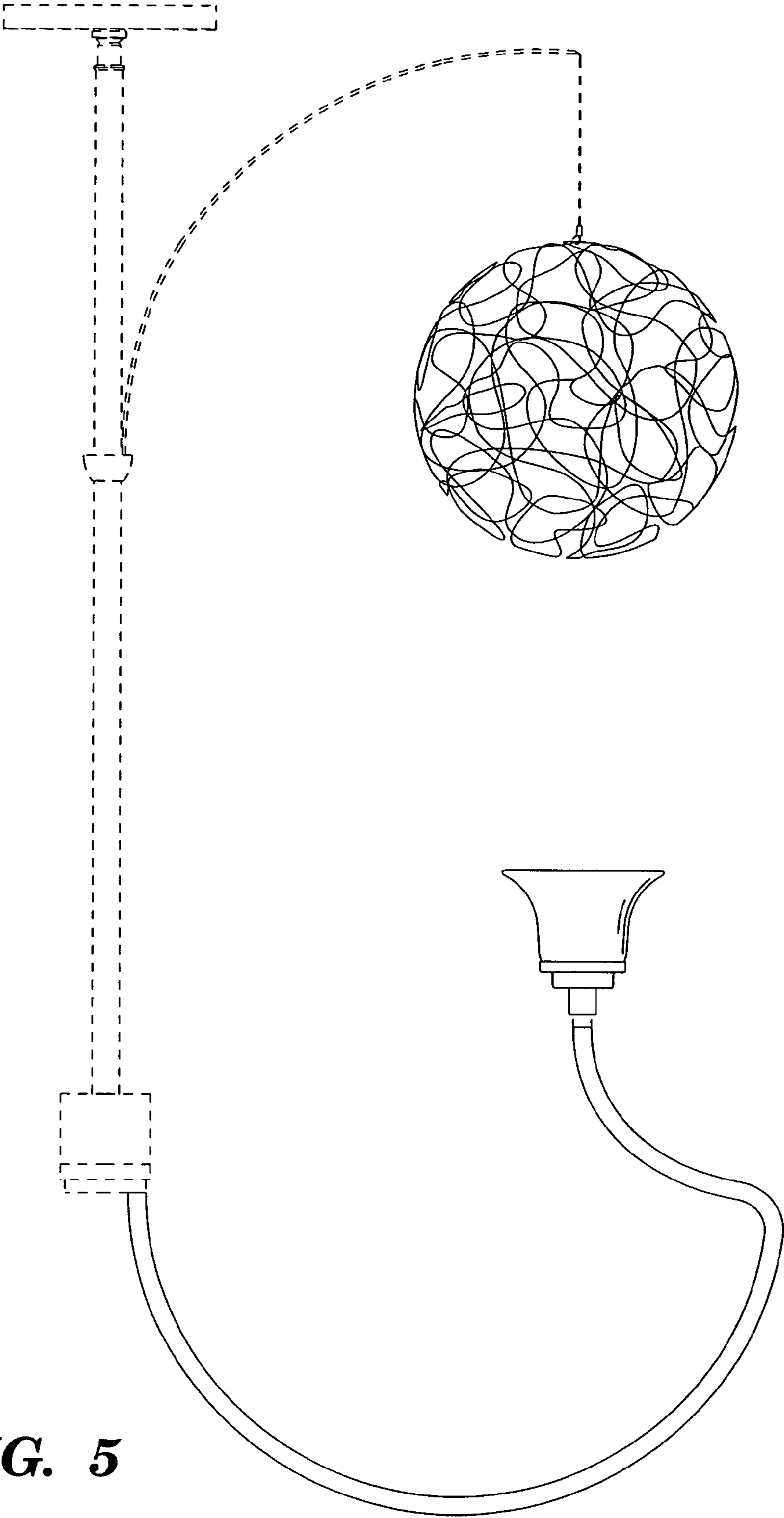
**FIG. 2**



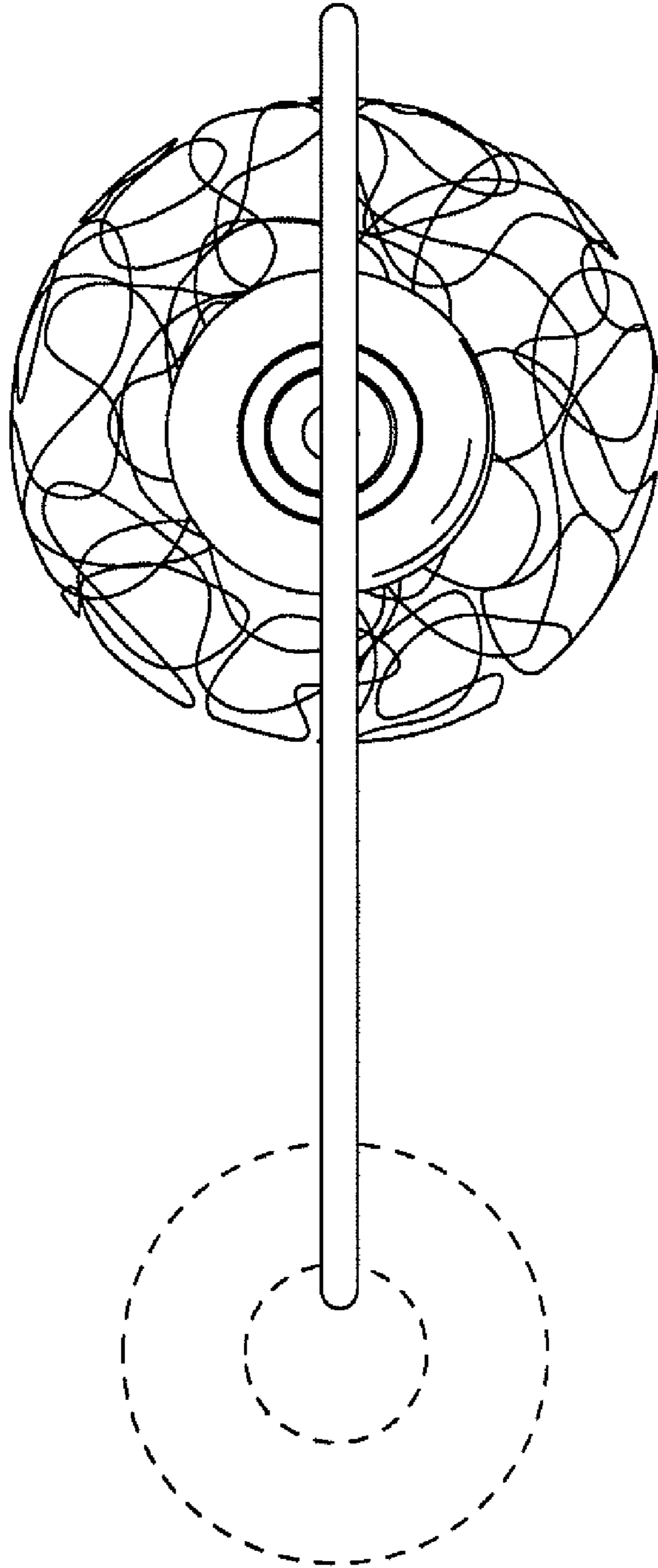
**FIG. 3**



**FIG. 4**

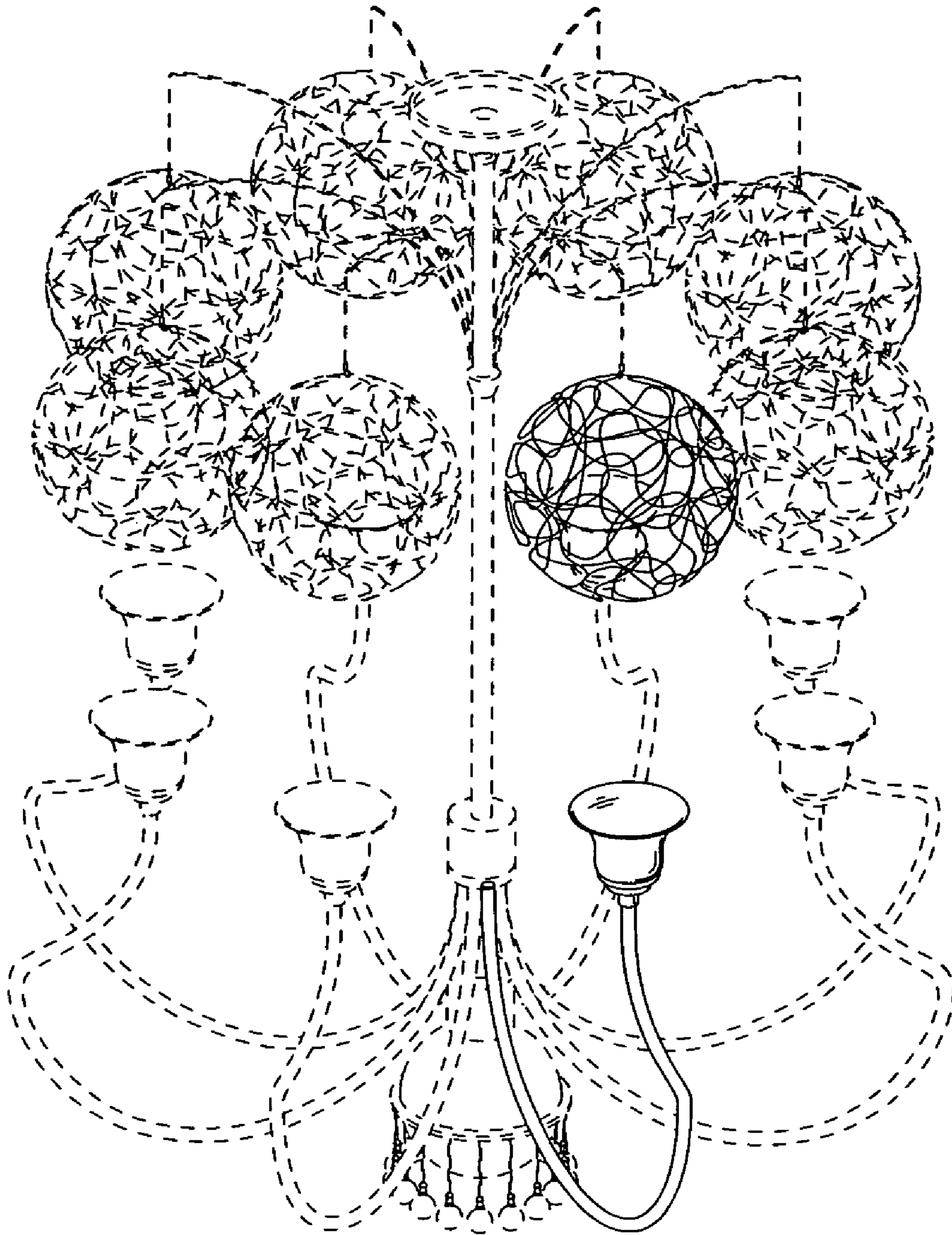


**FIG. 5**

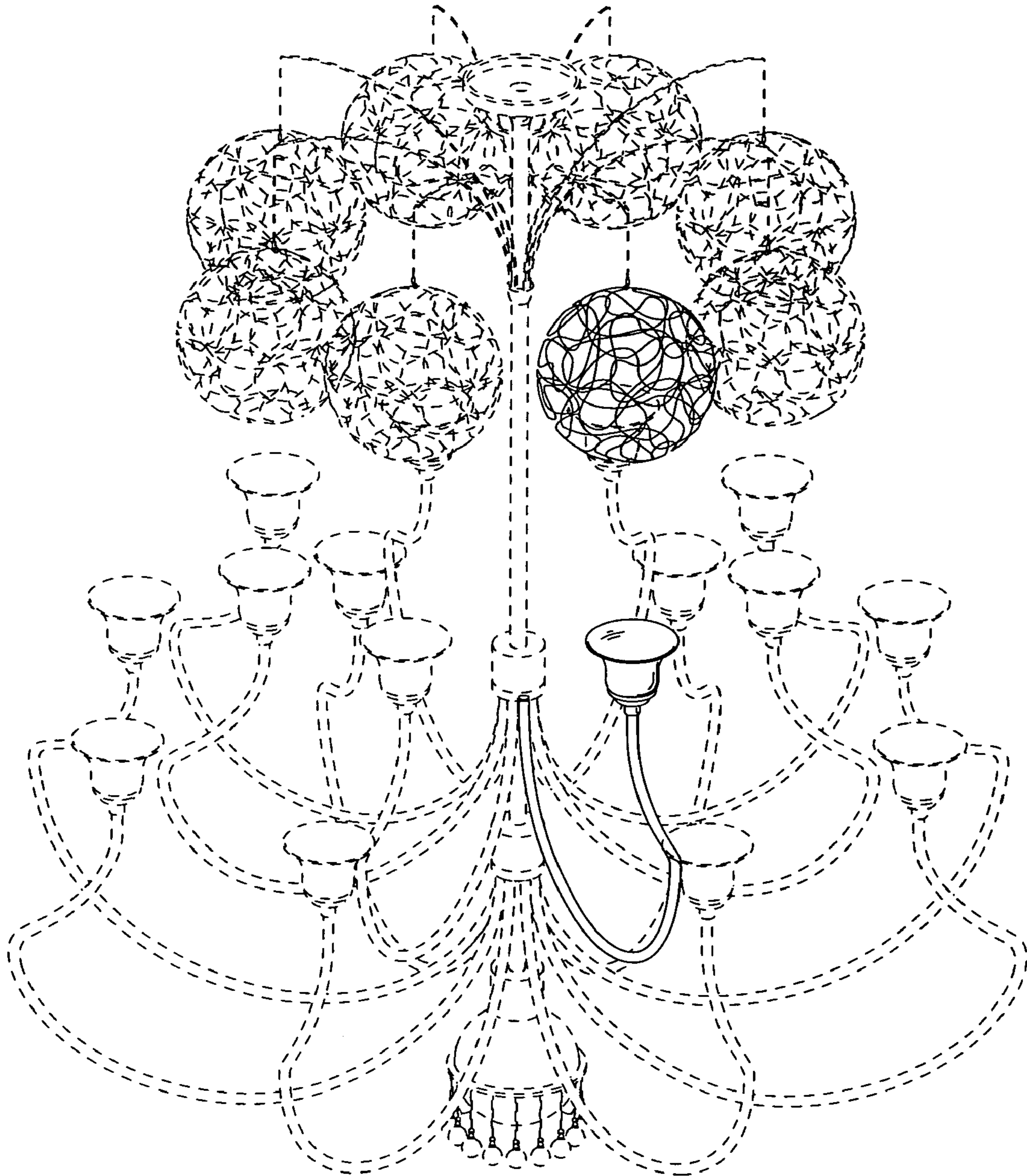


**FIG. 6**





**FIG. 7**



**FIG. 8**