



US00D566325S

(12) **United States Design Patent**
Aubrey

(10) **Patent No.:** **US D566,325 S**

(45) **Date of Patent:** **** Apr. 8, 2008**

(54) **LOW PROFILE BALLAST BOX WITH ROTATABLE CONNECTION**

2003/0021111 A1* 1/2003 Miller et al. 362/226
2003/0223234 A1* 12/2003 Tang 362/226

(76) Inventor: **Truman Aubrey**, 1472 Beaudry Blvd.,
Glendale, CA (US) 91208

* cited by examiner

(**) Term: **14 Years**

Primary Examiner—Freda S. Nunn

Assistant Examiner—Kevin K Rudzinski

(74) *Attorney, Agent, or Firm*—Donald Weber, Jr.

(21) Appl. No.: **29/265,179**

(57) **CLAIM**

(22) Filed: **Aug. 28, 2006**

The ornamental design for a low profile ballast box with rotatable connection, as shown and described.

(51) **LOC (8) Cl.** **26-99**

(52) **U.S. Cl.** **D26/138**

(58) **Field of Classification Search** D26/24,
D26/72, 80, 81, 82, 83, 85, 86, 88, 94, 102,
D26/113, 118, 122, 123, 128, 138, 140, 143,
D26/152, 155, 156; 362/147, 148, 150, 640,
362/647, 648, 649, 257, 317, 326, 331, 336,
362/337, 339

DESCRIPTION

See application file for complete search history.

FIG. 1 is a perspective view of the low profile ballast box with rotatable connection.

FIG. 2 is a top view of the instant invention as shown in FIG. 1.

FIG. 3 is a bottom view of the instant invention as shown in FIG. 1.

FIG. 4 is one end view of the instant invention as shown in FIG. 1.

FIG. 5 is the opposite end view of the instant invention as shown in FIG. 1; and,

FIG. 6 is one side view of the instant invention as shown in FIG. 1. The opposite side view is the mirror image.

(56) **References Cited**

U.S. PATENT DOCUMENTS

- D290,524 S * 6/1987 Kusmer D13/110
- D310,511 S * 9/1990 Bedocs et al. D13/133
- D383,114 S * 9/1997 Wandler et al. D13/110
- D424,017 S * 5/2000 Lin D13/133
- D437,438 S * 2/2001 Tang D26/63
- D459,514 S * 6/2002 Mier-Langner et al. D26/63

1 Claim, 1 Drawing Sheet

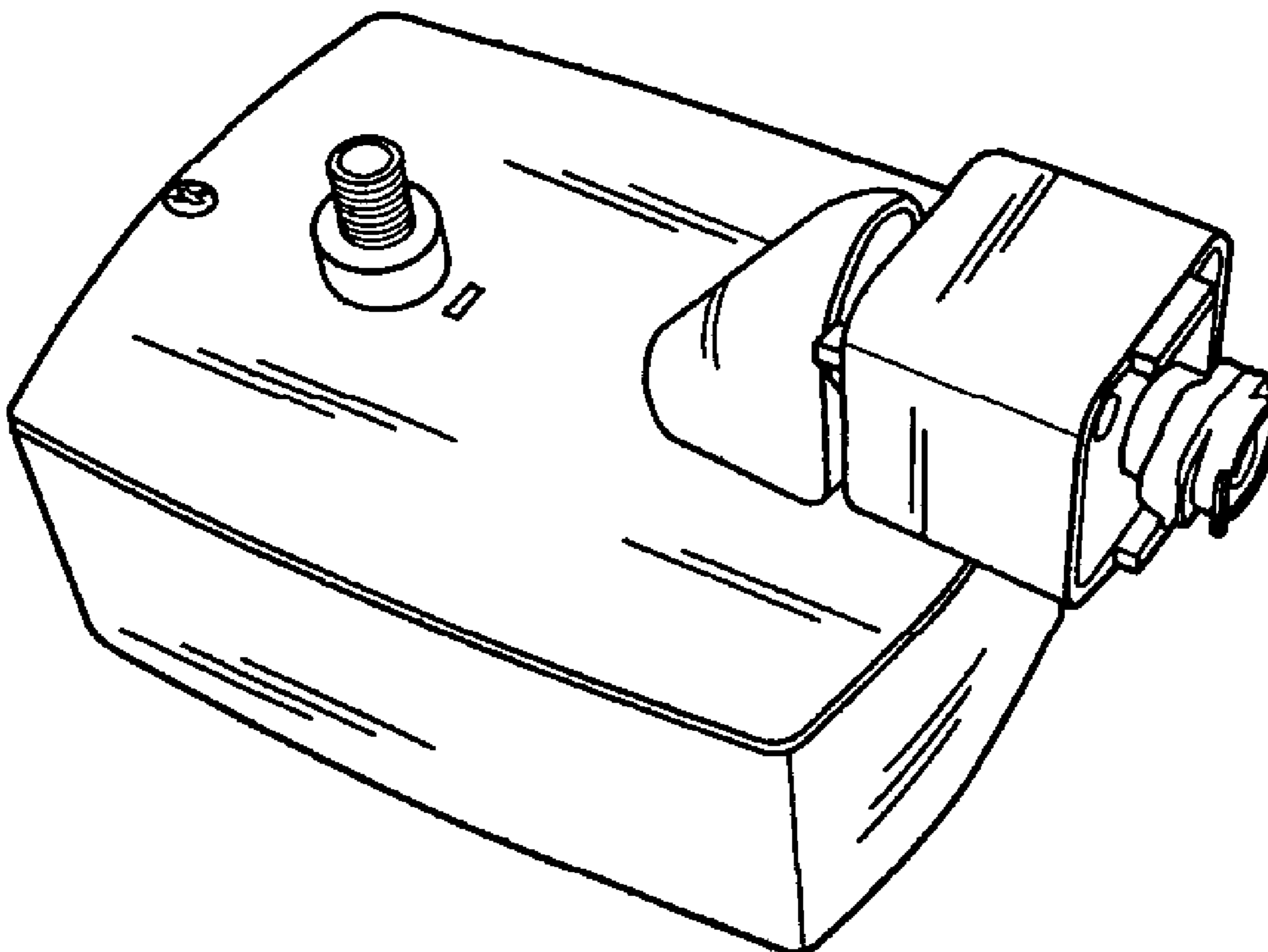


Fig. 1

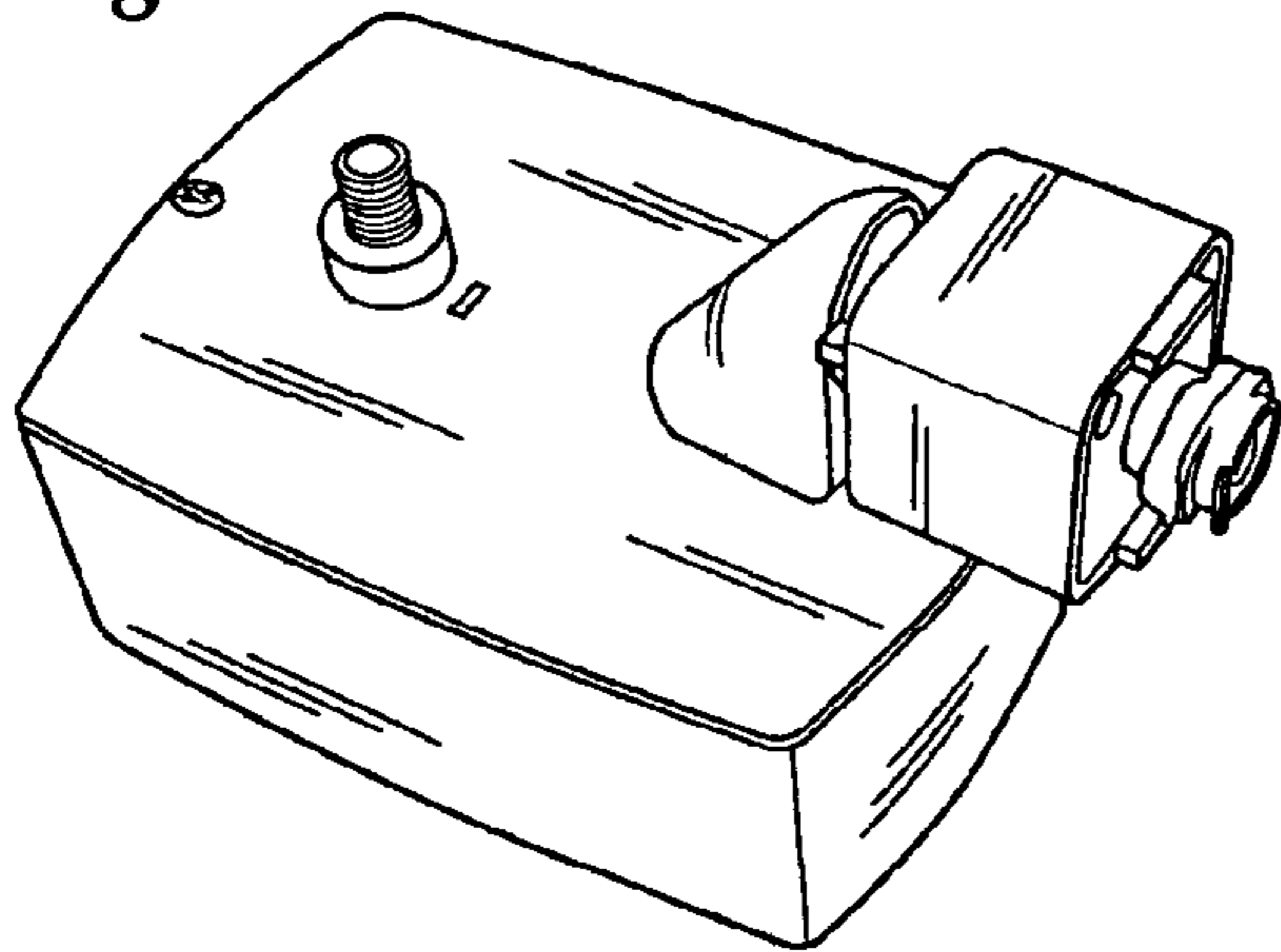


Fig. 6

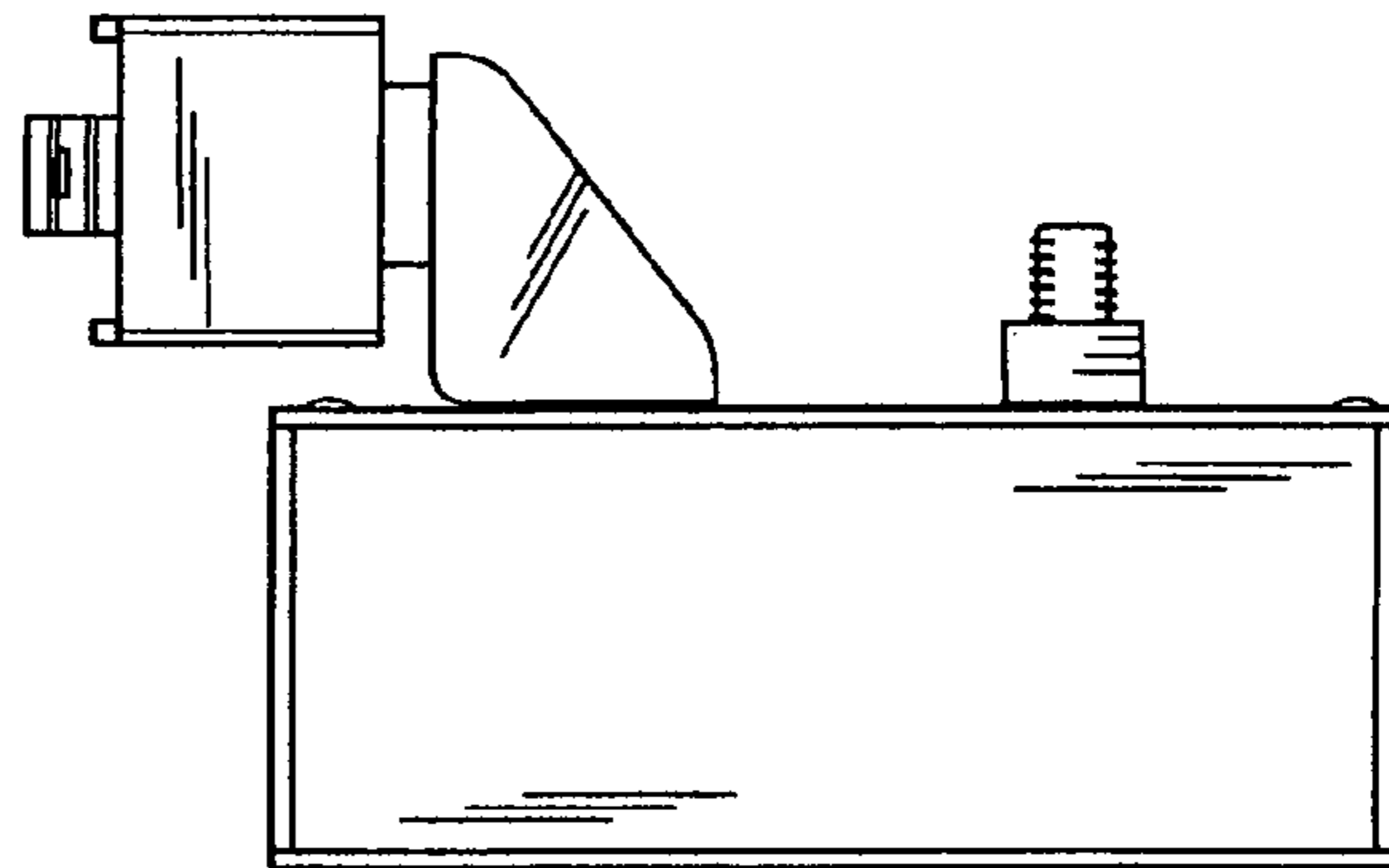


Fig. 4

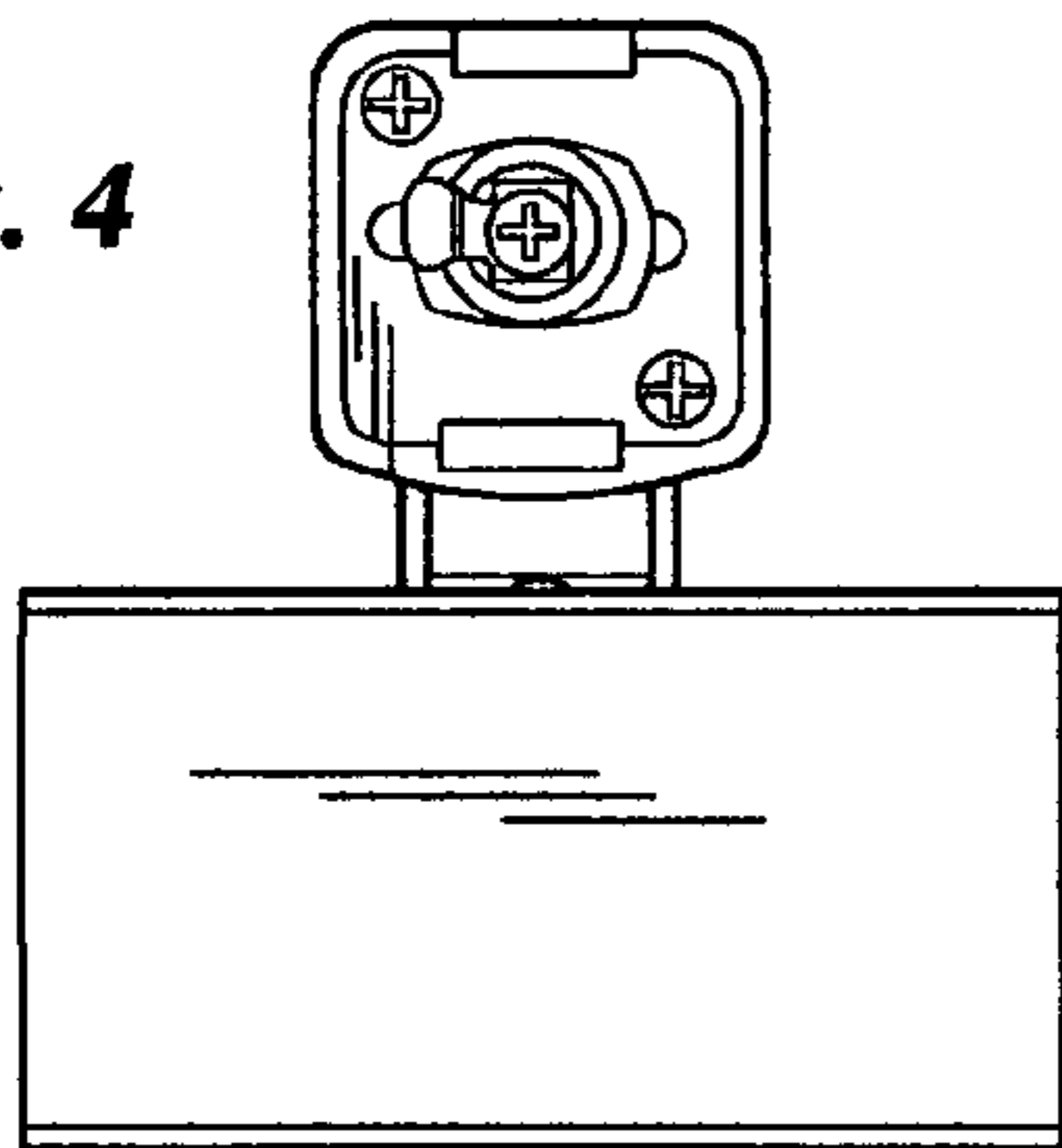


Fig. 2

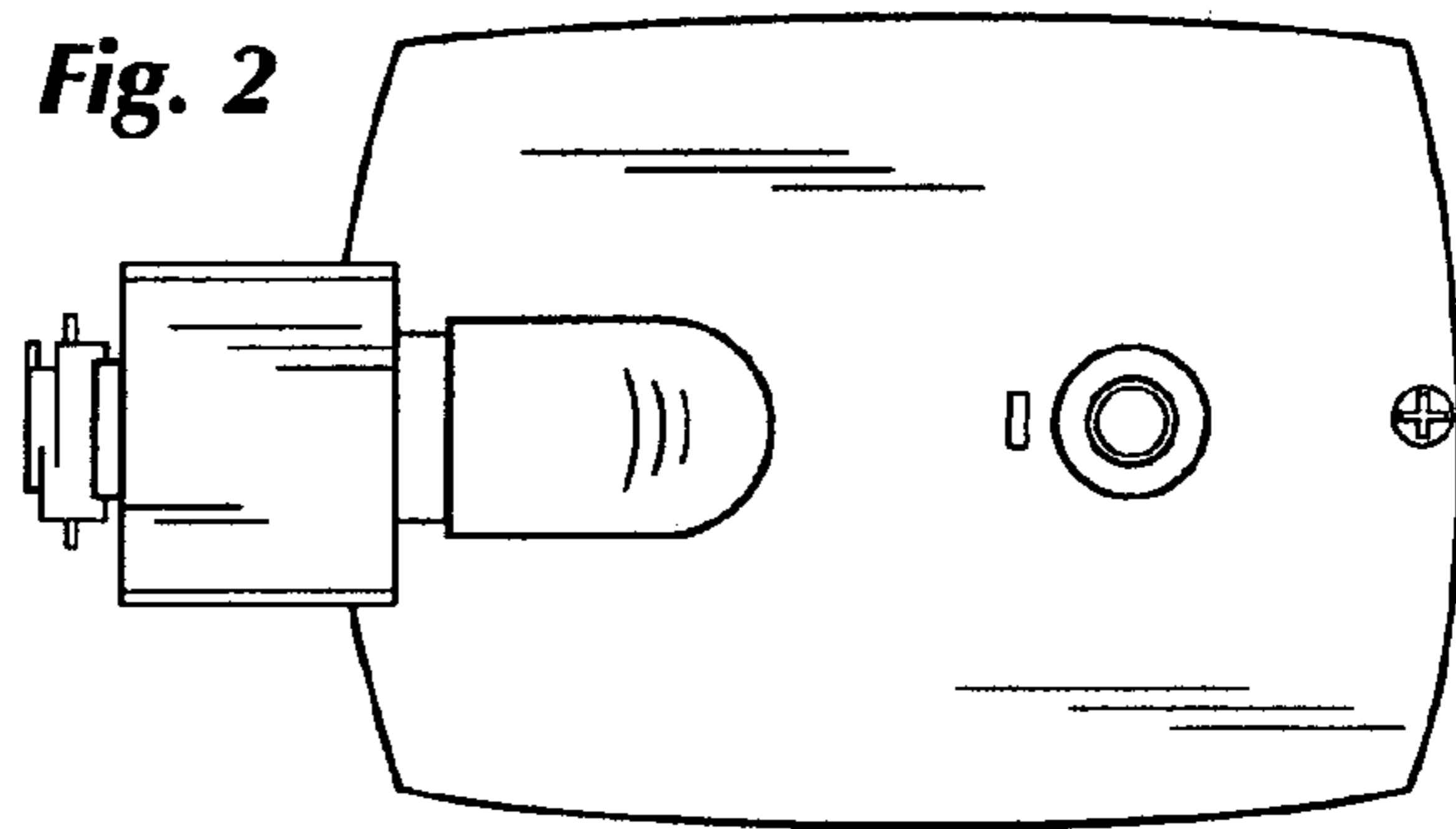


Fig. 5

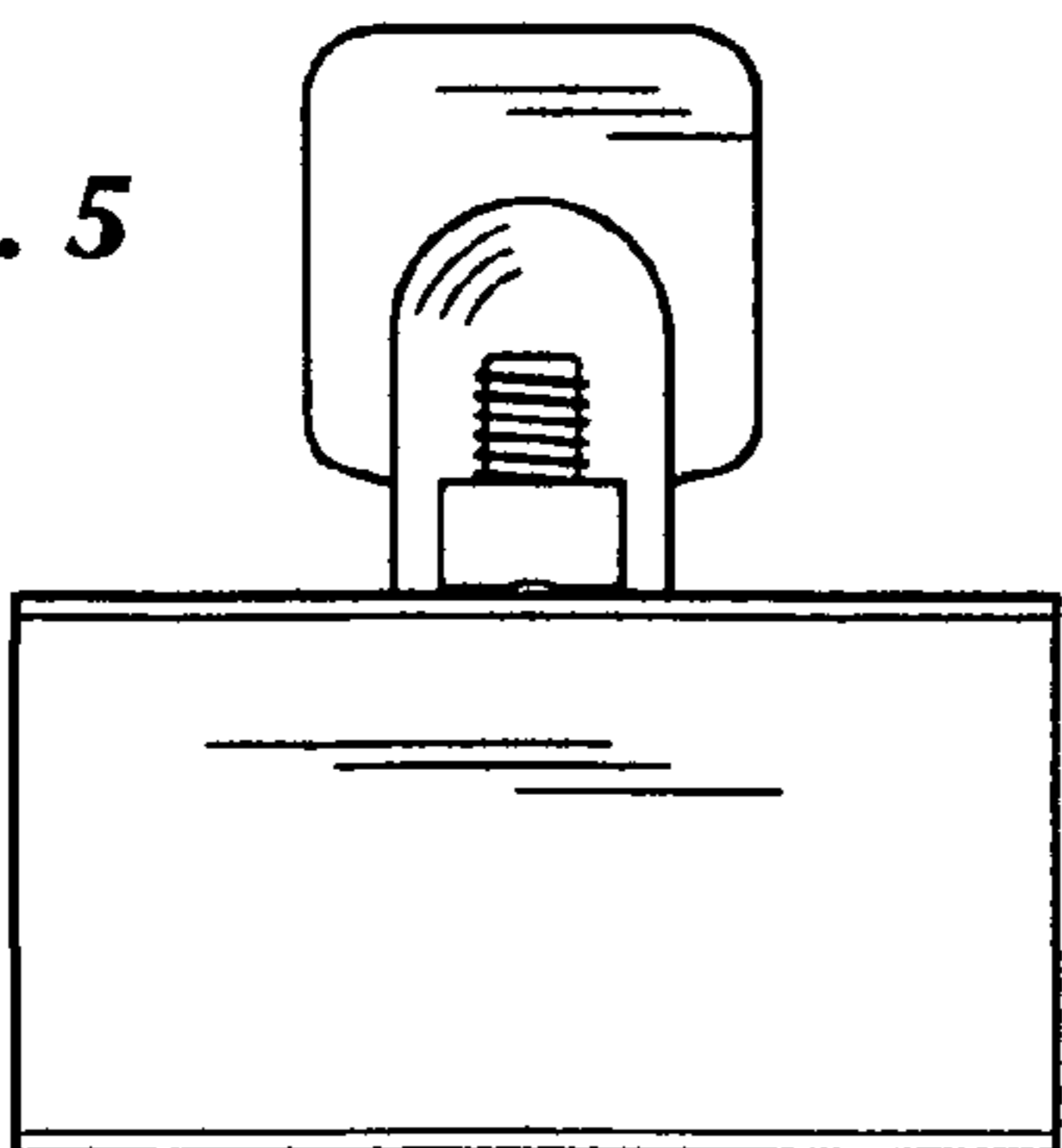


Fig. 3

