



US00D566322S

(12) **United States Design Patent**
Yao

(10) **Patent No.:** **US D566,322 S**

(45) **Date of Patent:** **** Apr. 8, 2008**

(54) **LAMP**

(76) **Inventor:** **Yi Hui Yao**, No. 18, Ke Ji East Road,
High & New Technology Development
Zone, Huanghe Road, Shantou,
Guangdong (CN)

(**) **Term:** **14 Years**

(21) **Appl. No.:** **29/273,946**

(22) **Filed:** **Mar. 19, 2007**

(51) **LOC (8) Cl.** **26-03**

(52) **U.S. Cl.** **D26/96**

(58) **Field of Classification Search** D26/93-112,
D26/9-12, 20, 22, 57, 5-7; 362/410-414,
362/253, 806, 810; 431/289, 292
See application file for complete search history.

(56) **References Cited**

U.S. PATENT DOCUMENTS

3,368,107	A *	2/1968	Skirvin	362/810
D432,258	S *	10/2000	Fussell et al.	D26/96
D474,854	S *	5/2003	Lam	D26/96
6,880,958	B2 *	4/2005	Swarovski	362/810

* cited by examiner

Primary Examiner—Cathron Brooks

Assistant Examiner—Linda Brooks

(74) *Attorney, Agent, or Firm*—William F. Pinsak

(57) **CLAIM**

The ornamental design of the lamp, as shown and described.

DESCRIPTION

FIG. 1 is an elevational view of the bottom of the lamp of the present invention;

FIG. 2 is an elevational view of the rear side of the lamp of the present invention;

FIG. 3 is an elevational view of the front side of the lamp of the present invention;

FIG. 4 is an elevational view of the top of the lamp of the present invention;

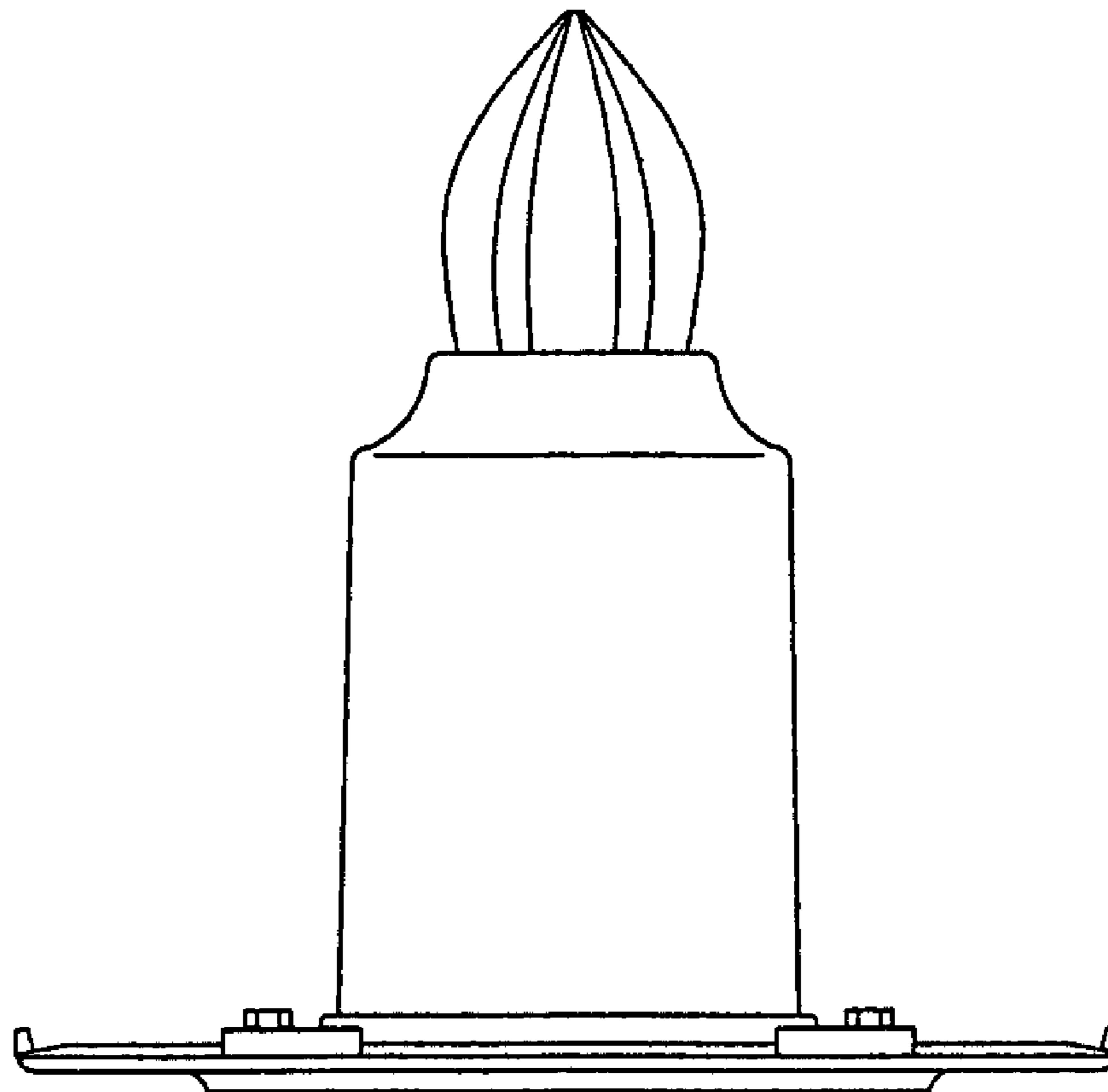
FIG. 5 is an elevational view of the left side of the lamp of the present invention;

FIG. 6 is an elevational view of the right side of the lamp of the present invention; and,

FIG. 7 is a perspective view of the lamp for the present invention.

The broken lines shown in the drawing are for illustrative purposes only and form no part of the claimed design.

1 Claim, 2 Drawing Sheets



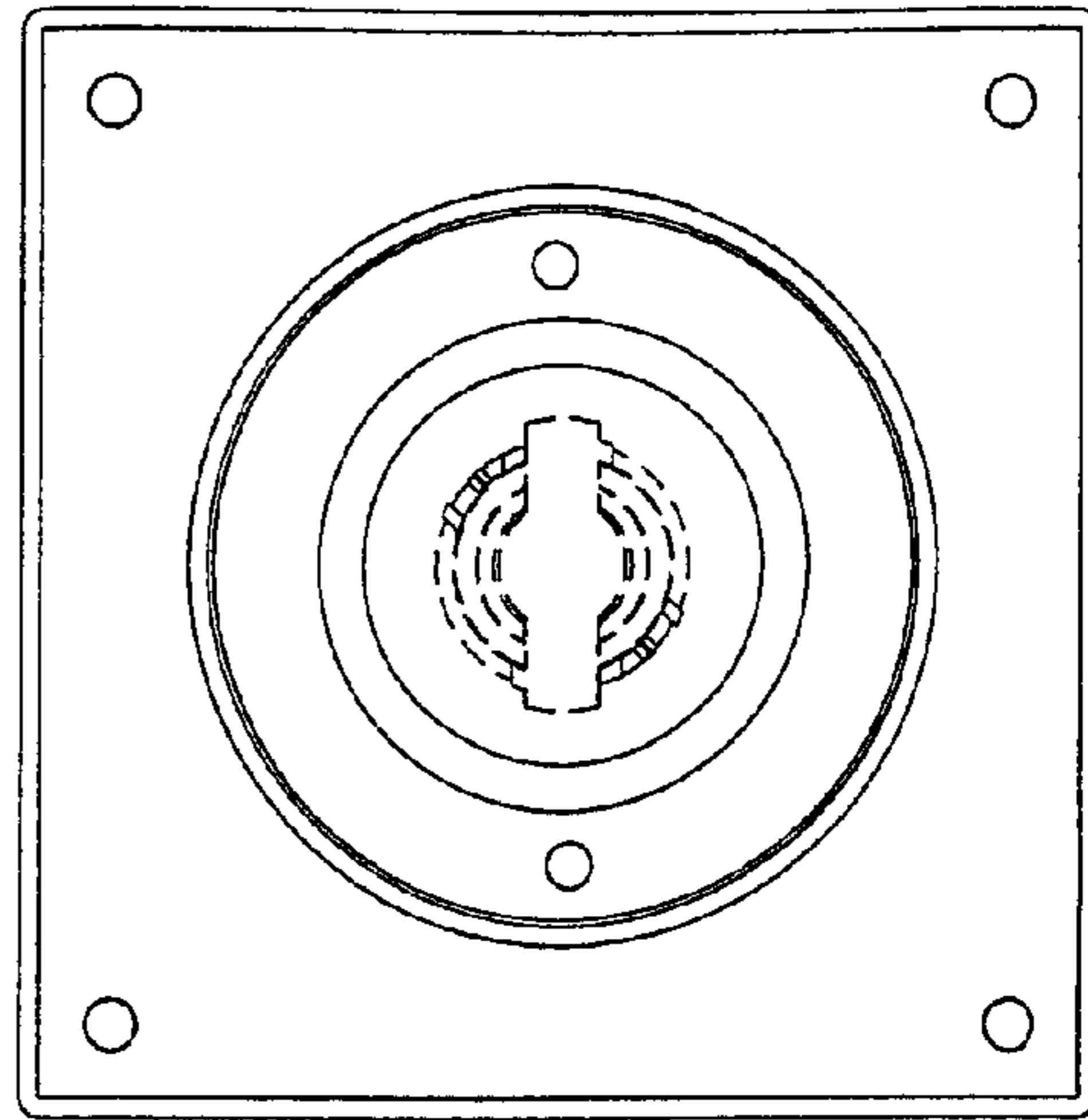


FIG. 1

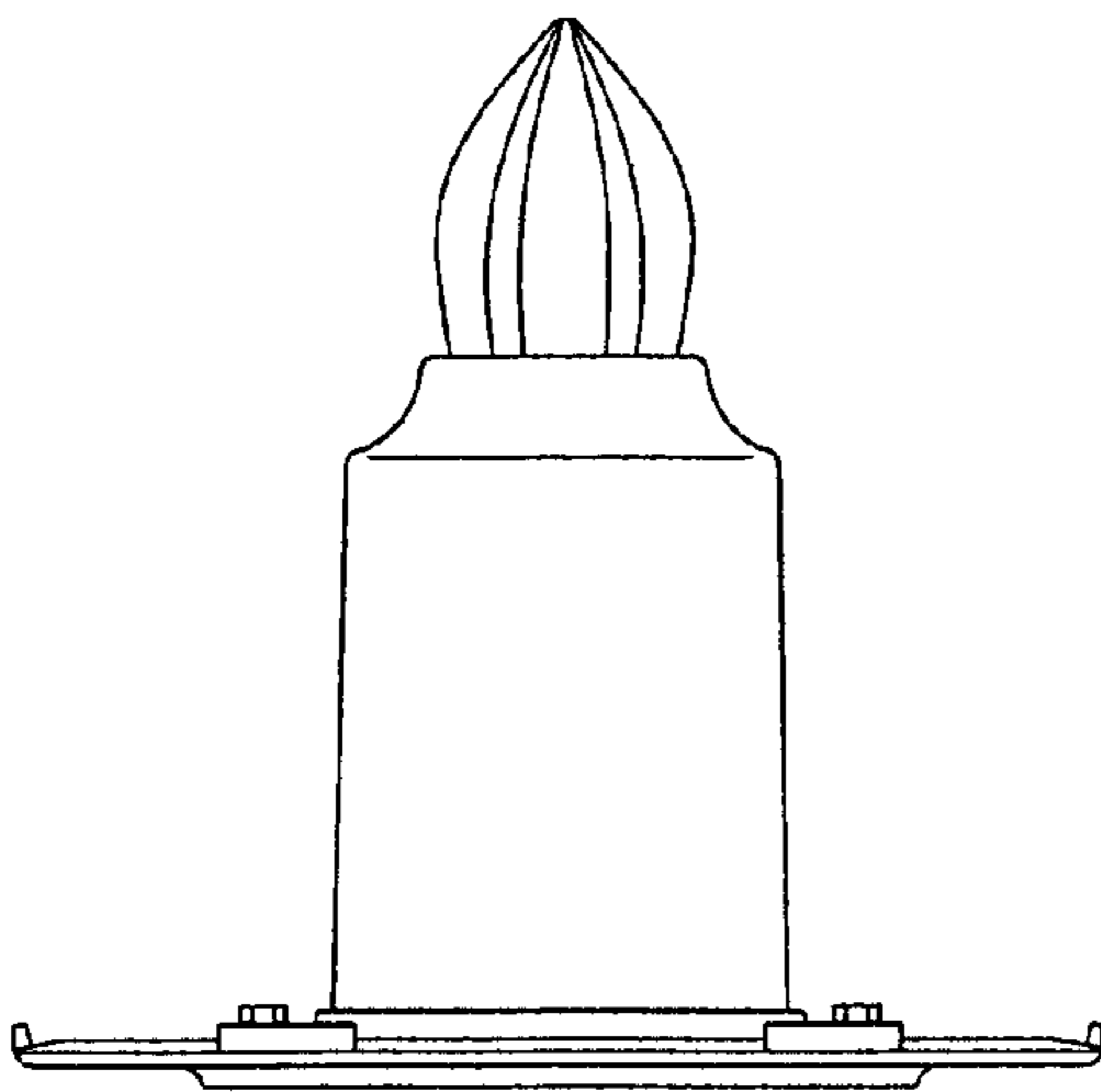


FIG. 2

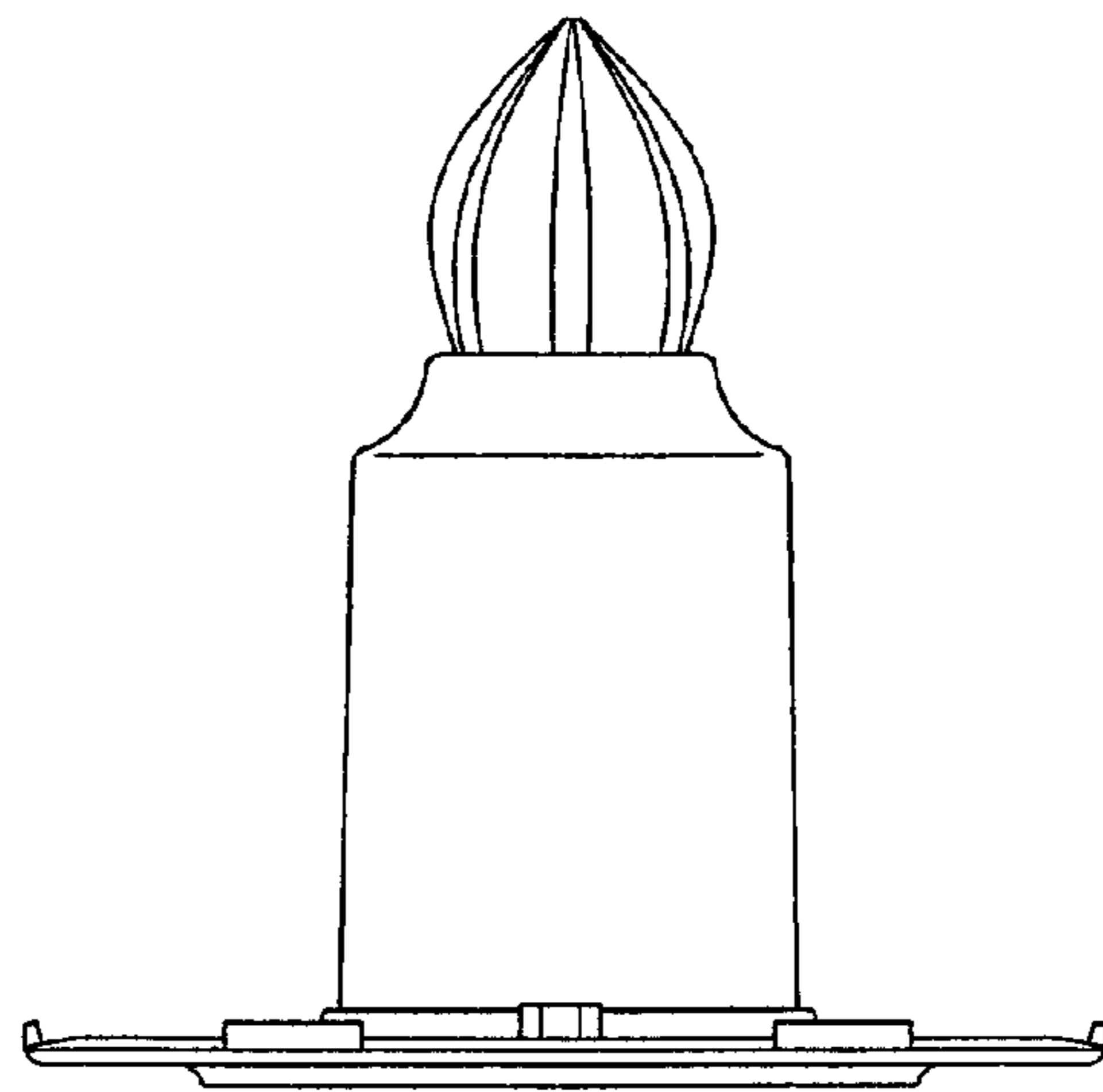


FIG. 3

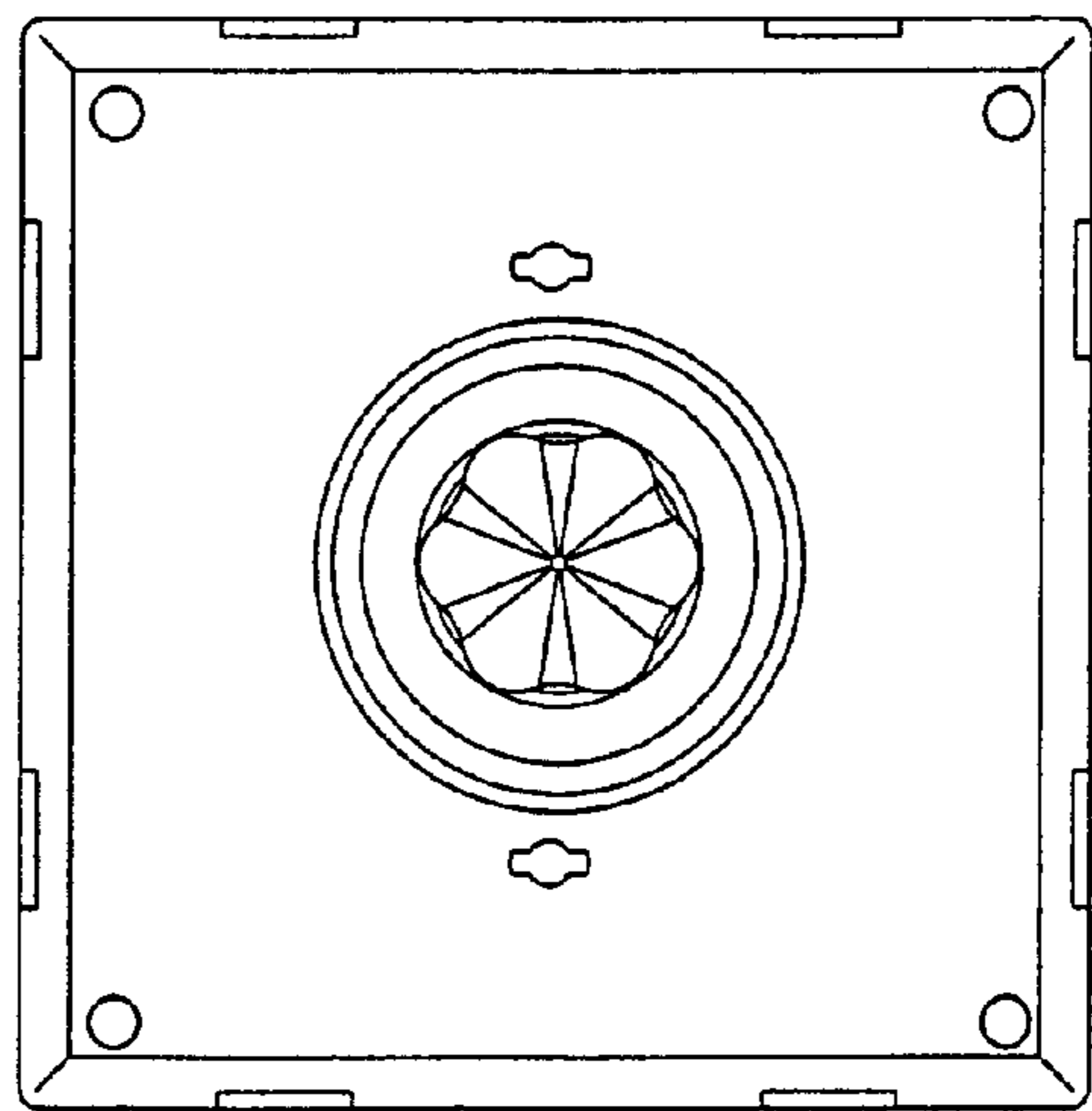


FIG. 4

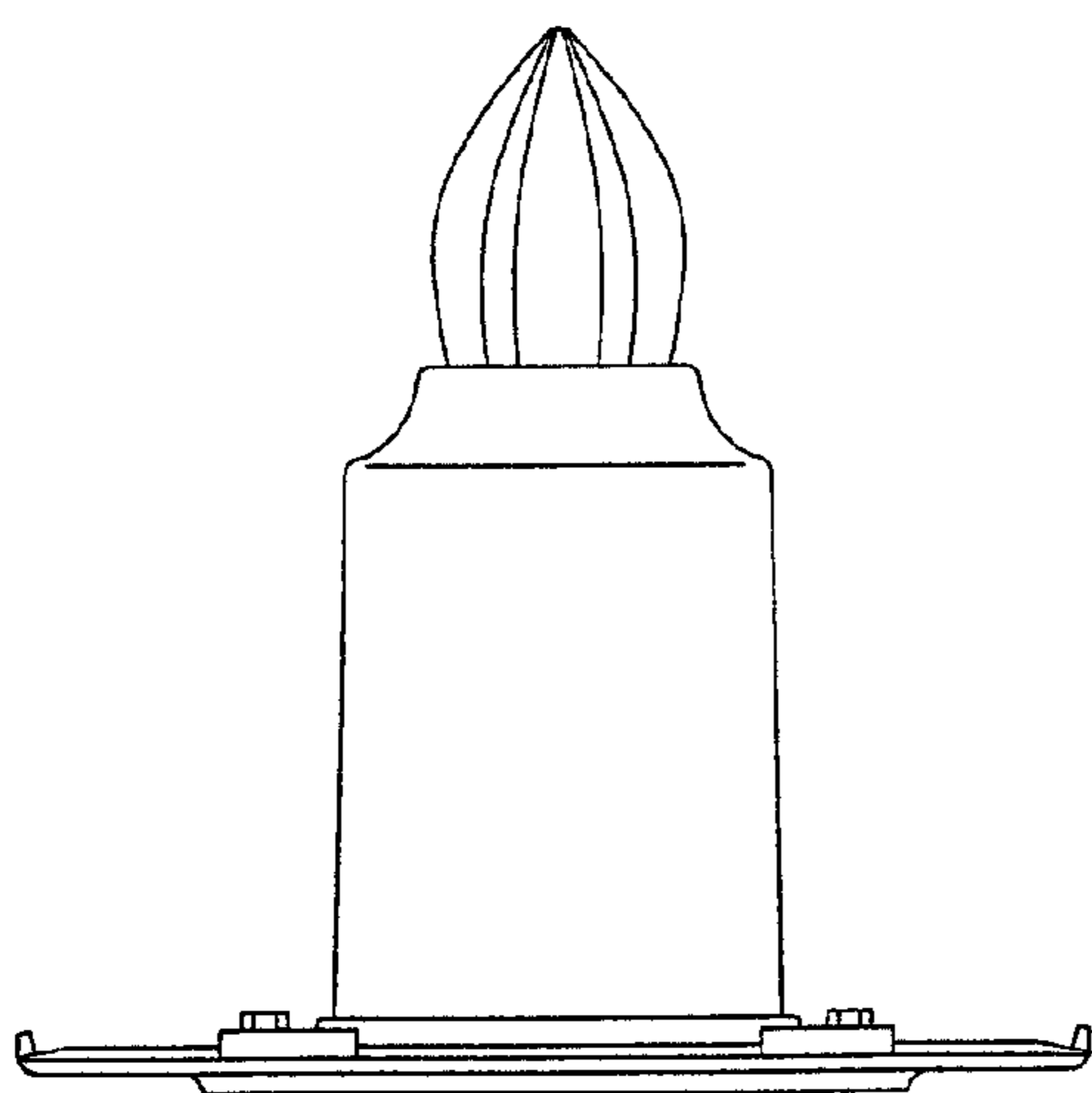


FIG. 5

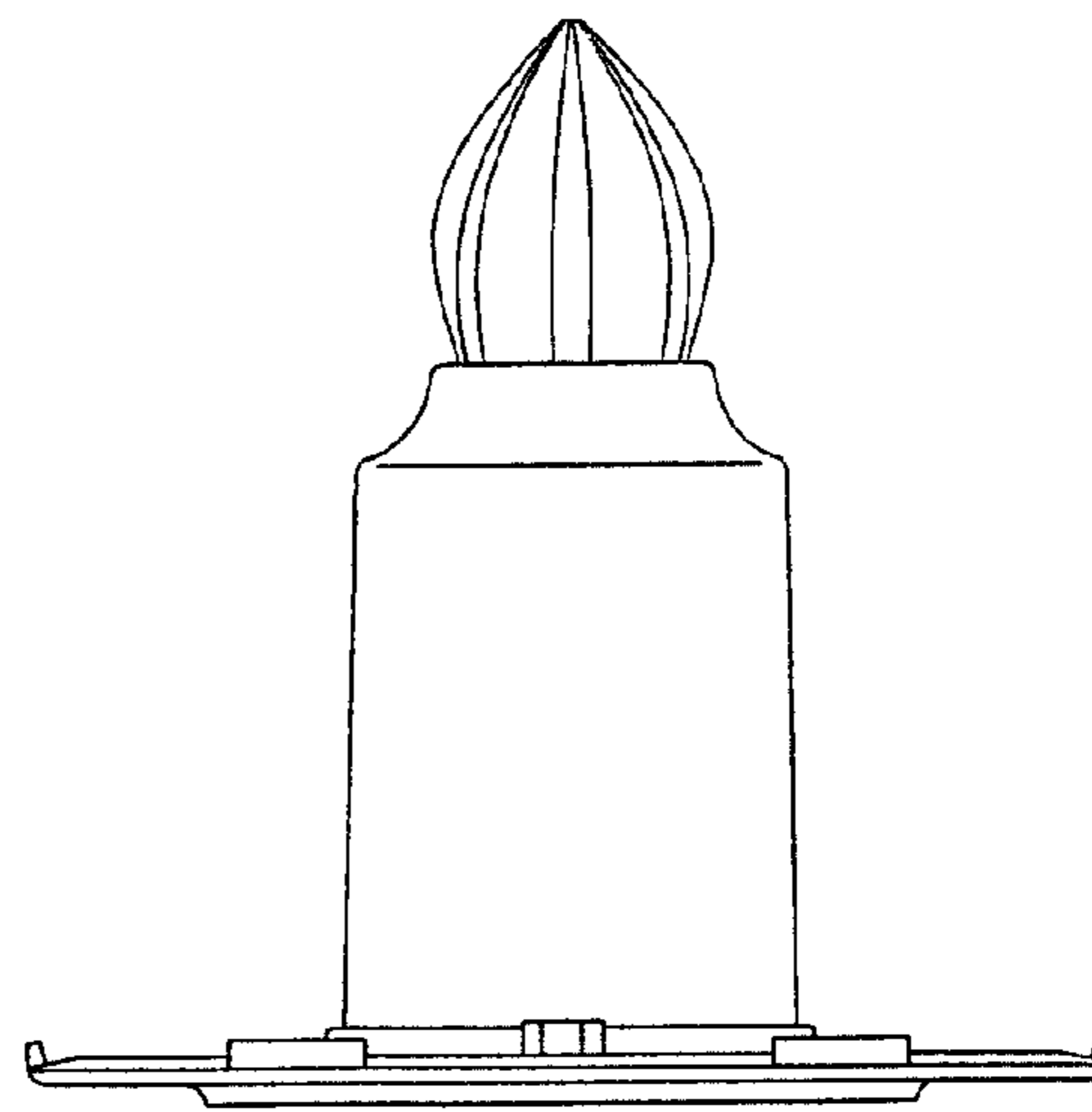


FIG. 6

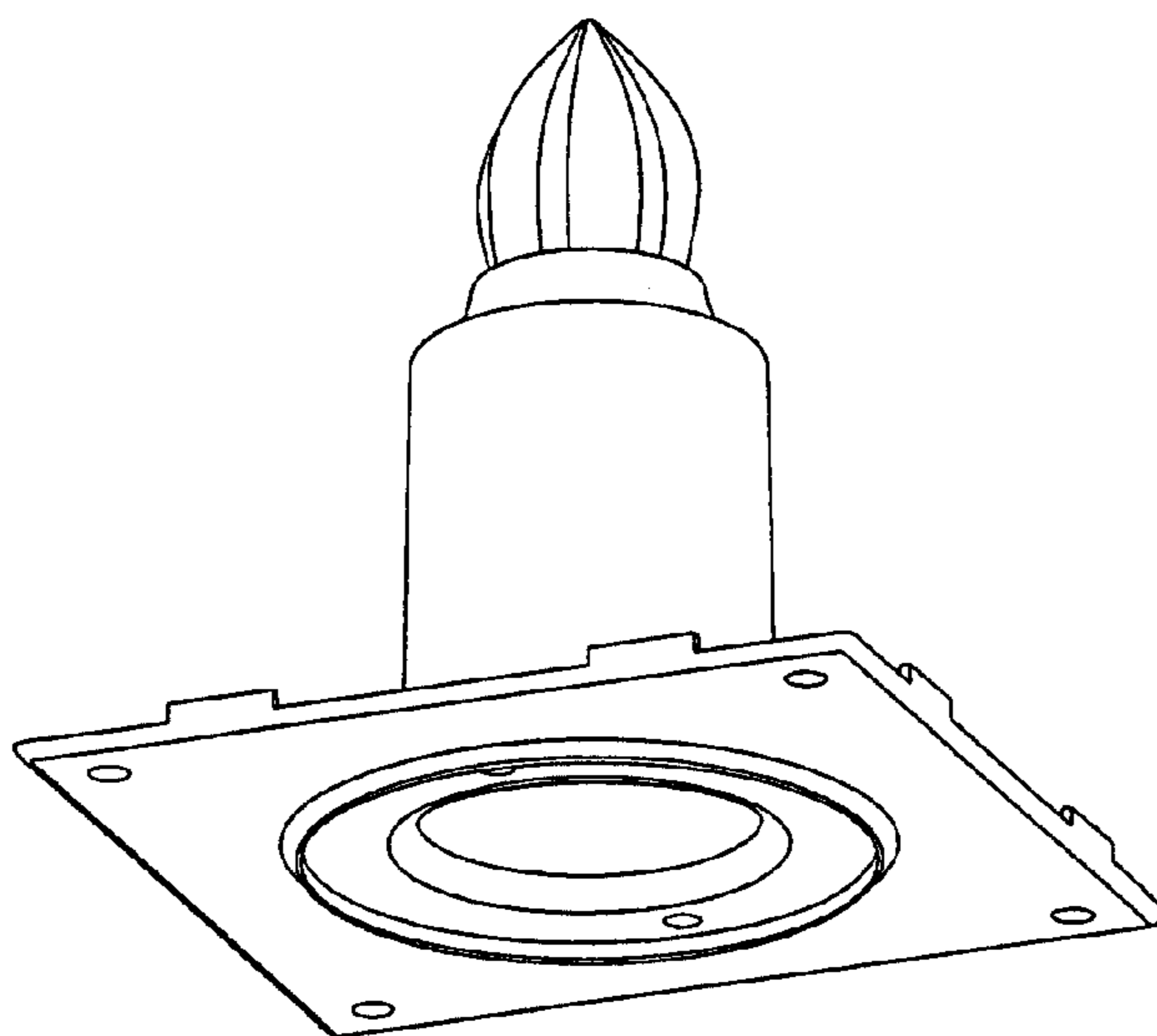


FIG. 7